



US00D579144S

(12) **United States Design Patent**
Wnek et al.

(10) **Patent No.:** **US D579,144 S**
(45) **Date of Patent:** **** Oct. 21, 2008**

(54) **L.E.D. LIGHT SOURCE COVER**

(75) Inventors: **Matthew F. Wnek**, Elk Grove Village, IL (US); **Paul G. Snagel**, Chicago, IL (US)

(73) Assignee: **Juno Manufacturing, Inc.**, Des Plaines, IL (US)

(**) Term: **14 Years**

(21) Appl. No.: **29/303,431**

(22) Filed: **Feb. 8, 2008**

(51) **LOC (8) Cl.** **26-99**

(52) **U.S. Cl.** **D26/138; D26/118**

(58) **Field of Classification Search** D26/24,
D26/63, 65, 66, 72, 85, 118, 138; D13/110,
D13/133, 139.2; 362/648, 250, 283, 285,
362/287

See application file for complete search history.

(56) **References Cited**

U.S. PATENT DOCUMENTS

- D162,323 S * 3/1951 Lightfoot D26/72
- D265,132 S * 6/1982 Brooks D26/24
- D270,481 S * 9/1983 Whitright D26/24
- D290,524 S * 6/1987 Kusmer D13/110
- D373,841 S * 9/1996 Wandler et al. D26/63

- D409,576 S * 5/1999 Wood et al. D13/154
- D440,673 S * 4/2001 Handsaker D26/24
- D484,853 S * 1/2004 Alviar D13/110
- D552,788 S * 10/2007 Mier-Langner et al. D26/138
- D556,683 S * 12/2007 Bonanno D13/110
- D566,325 S * 4/2008 Aubrey D26/138

* cited by examiner

Primary Examiner—Clare E Heflin

(57) **CLAIM**

The ornamental design for an L.E.D. light source cover, as shown and described.

DESCRIPTION

FIG. 1 is a top right perspective view of the L.E.D. light source cover showing our new design;

FIG. 2 is a front elevational view;

FIG. 3 is a rear elevational view;

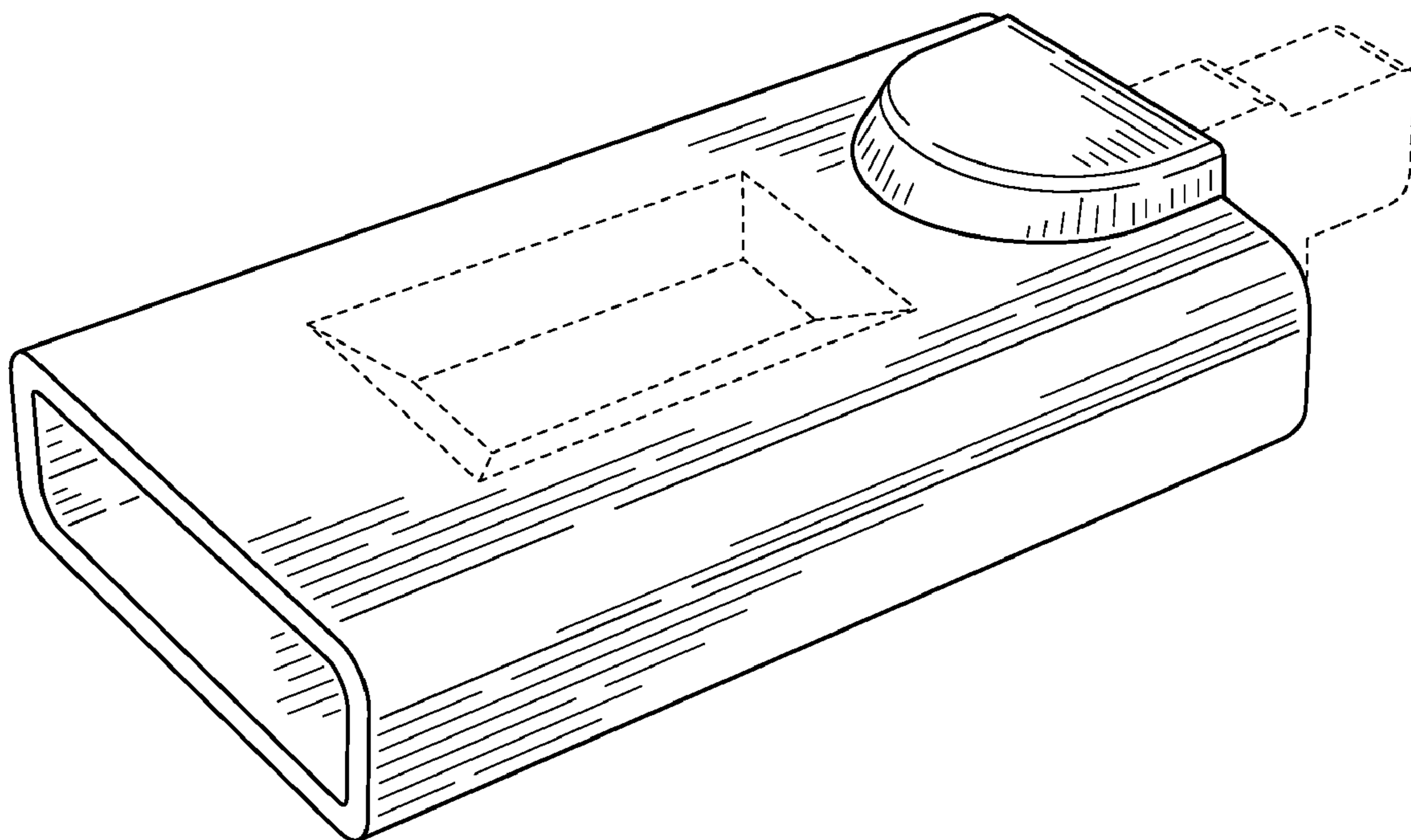
FIG. 4 is an left side elevational view, with the unshown right side elevational view being a mirror image thereof;

FIG. 5 is a top plan view; and,

FIG. 6 is a bottom plan view.

In the drawings the broken line showings depict environmental subject matter and form no parts of the claim.

1 Claim, 2 Drawing Sheets



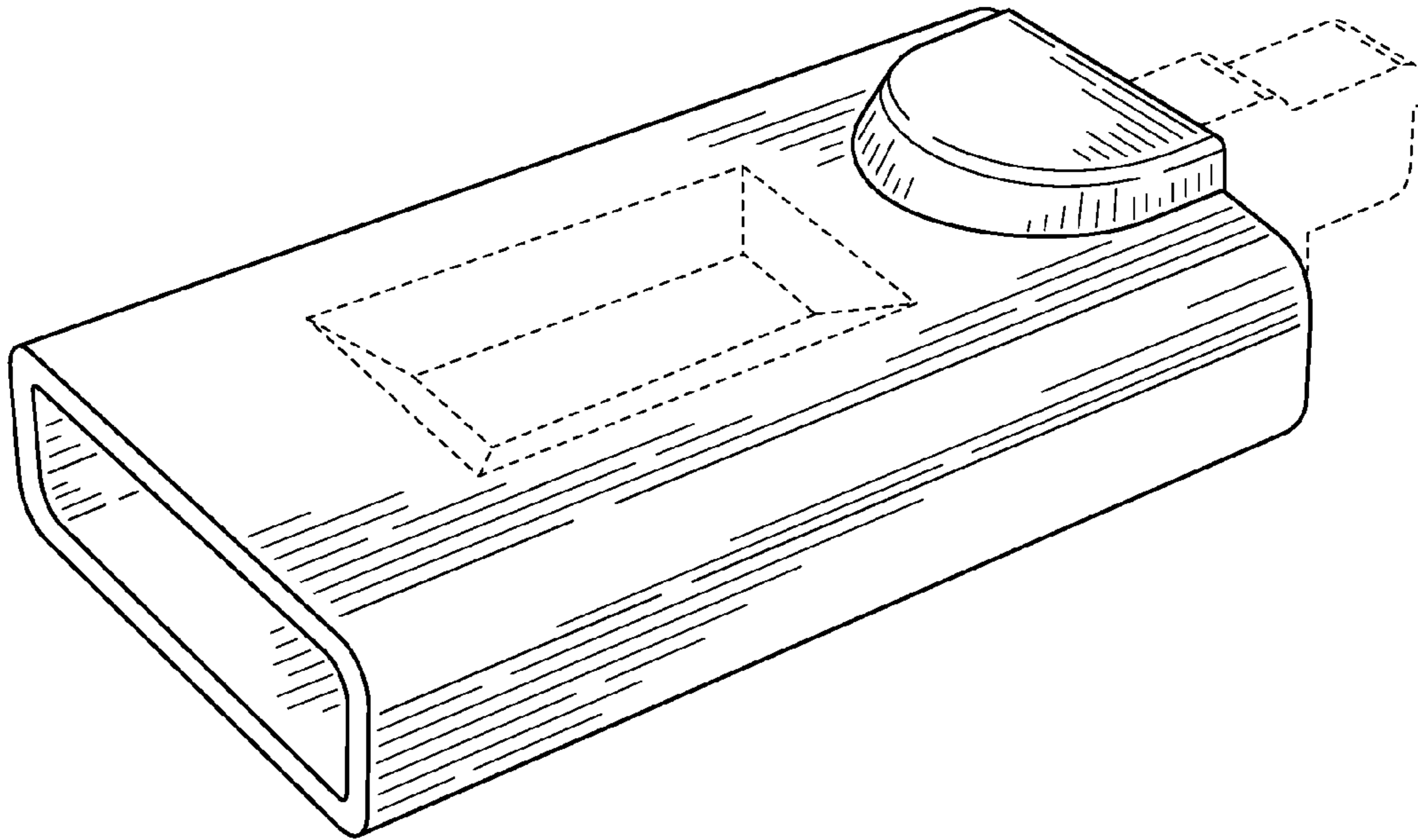


FIG. 1

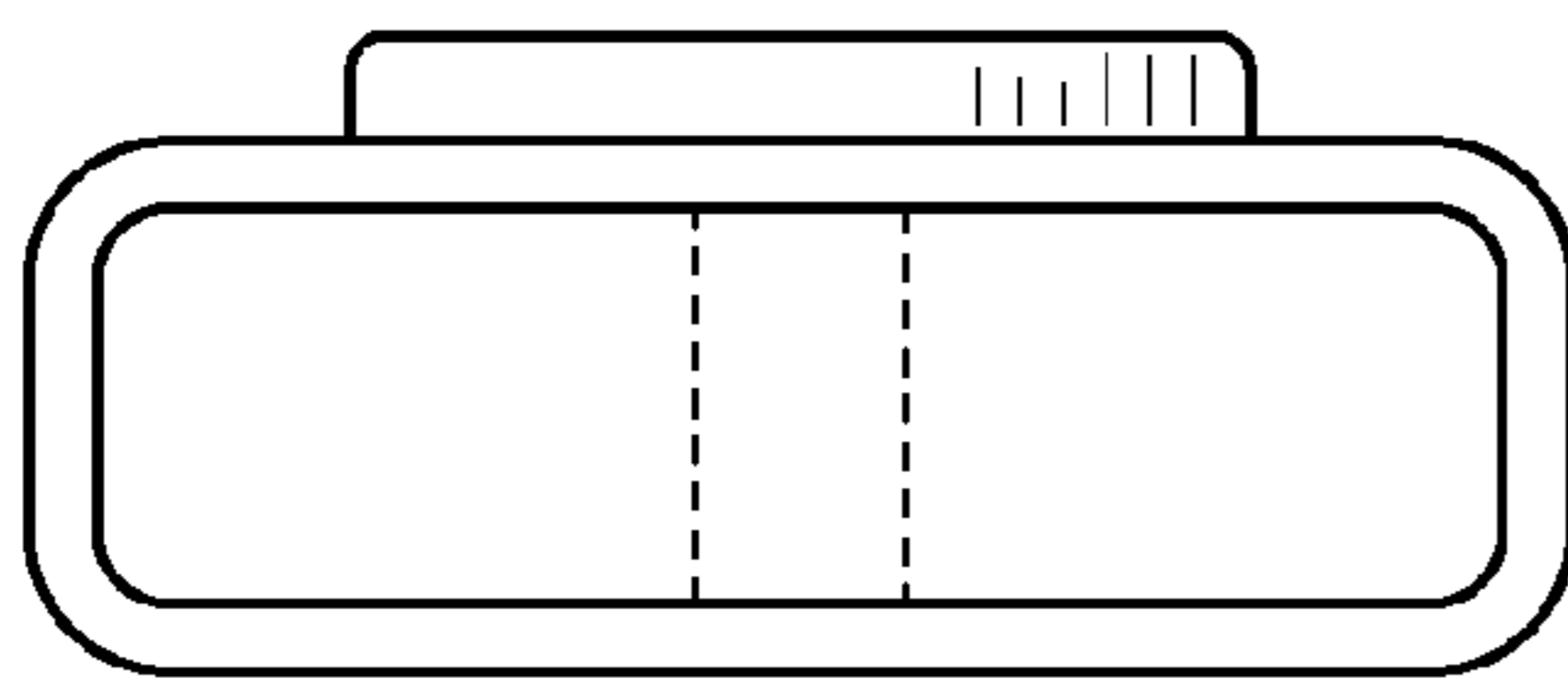


FIG. 2

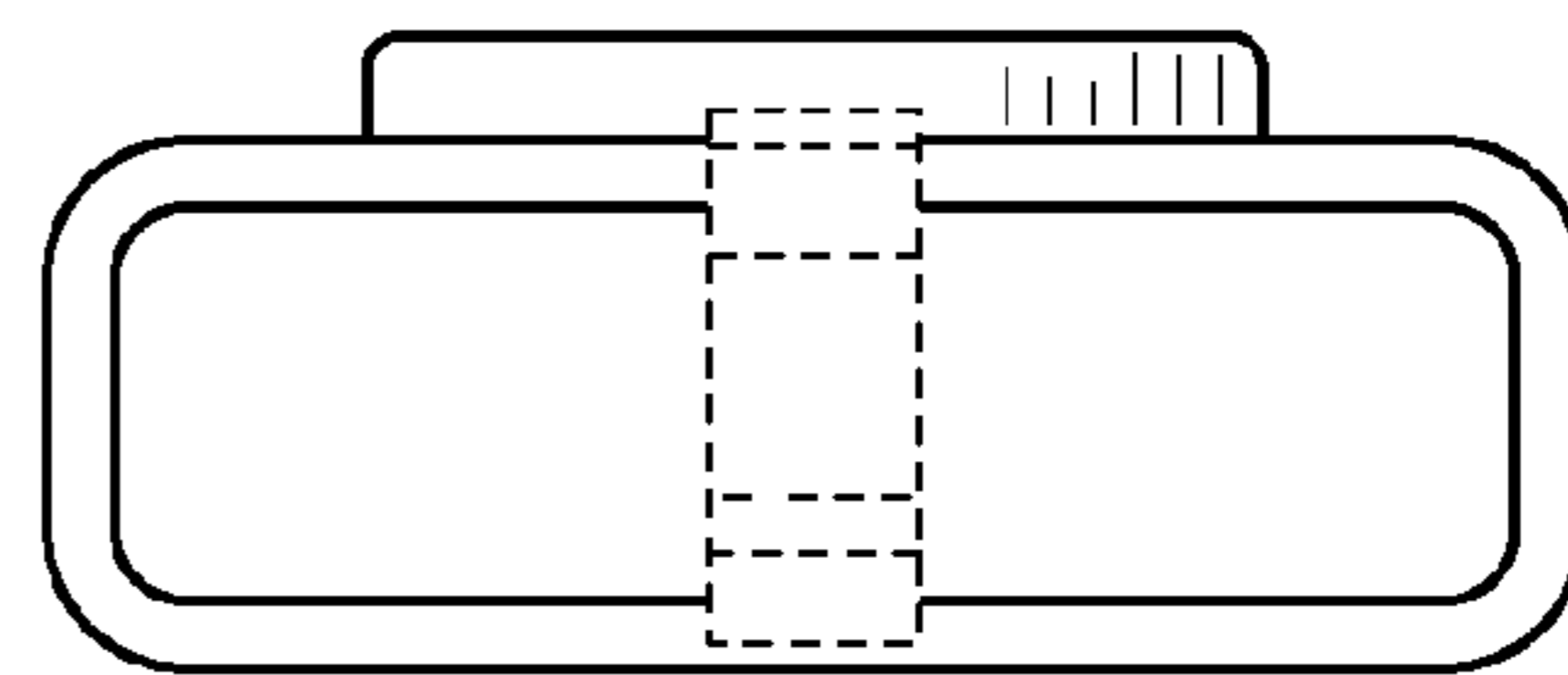


FIG. 3

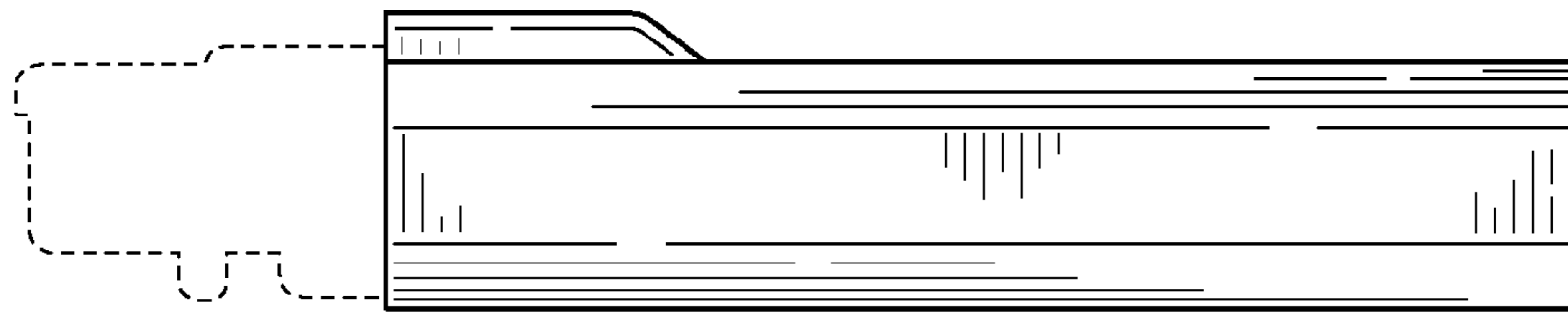


FIG. 4

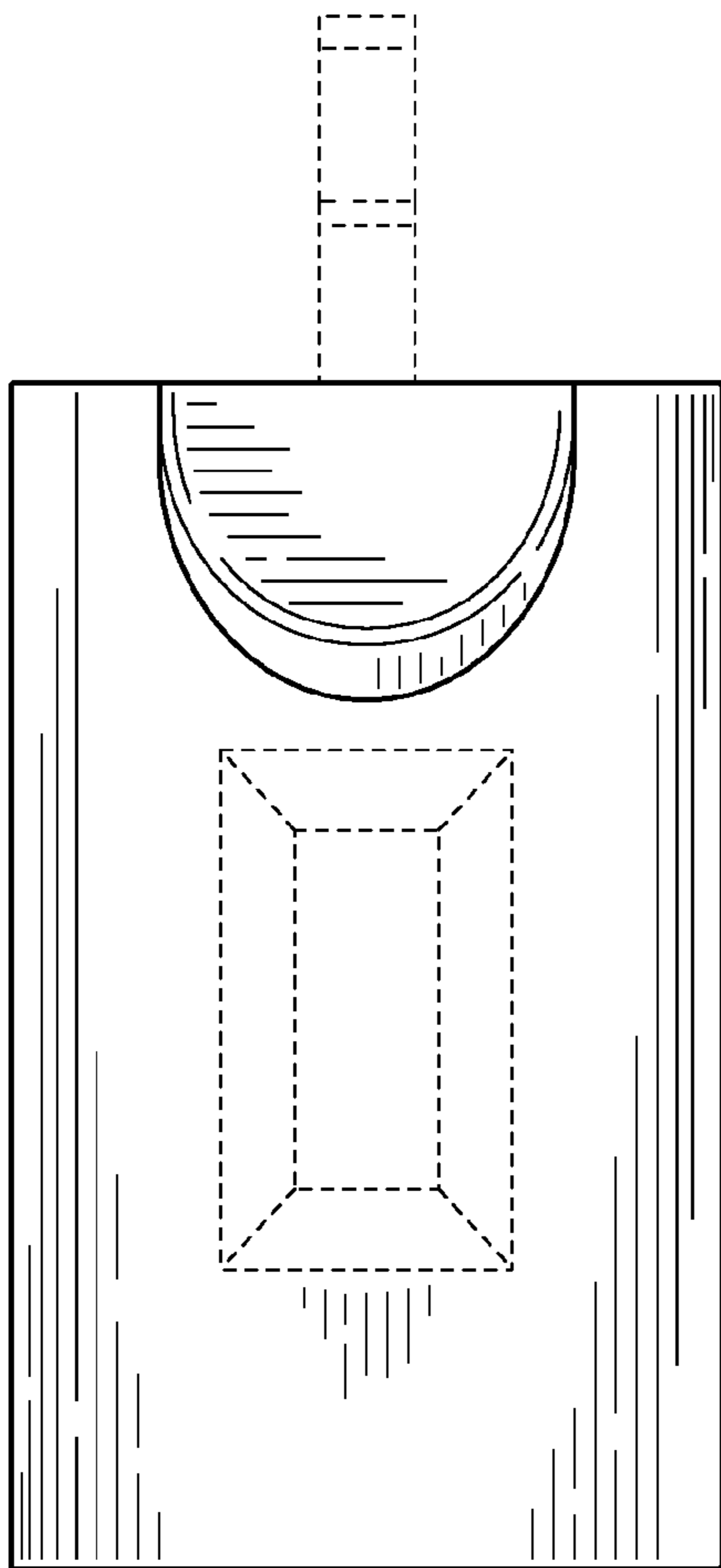


FIG. 5

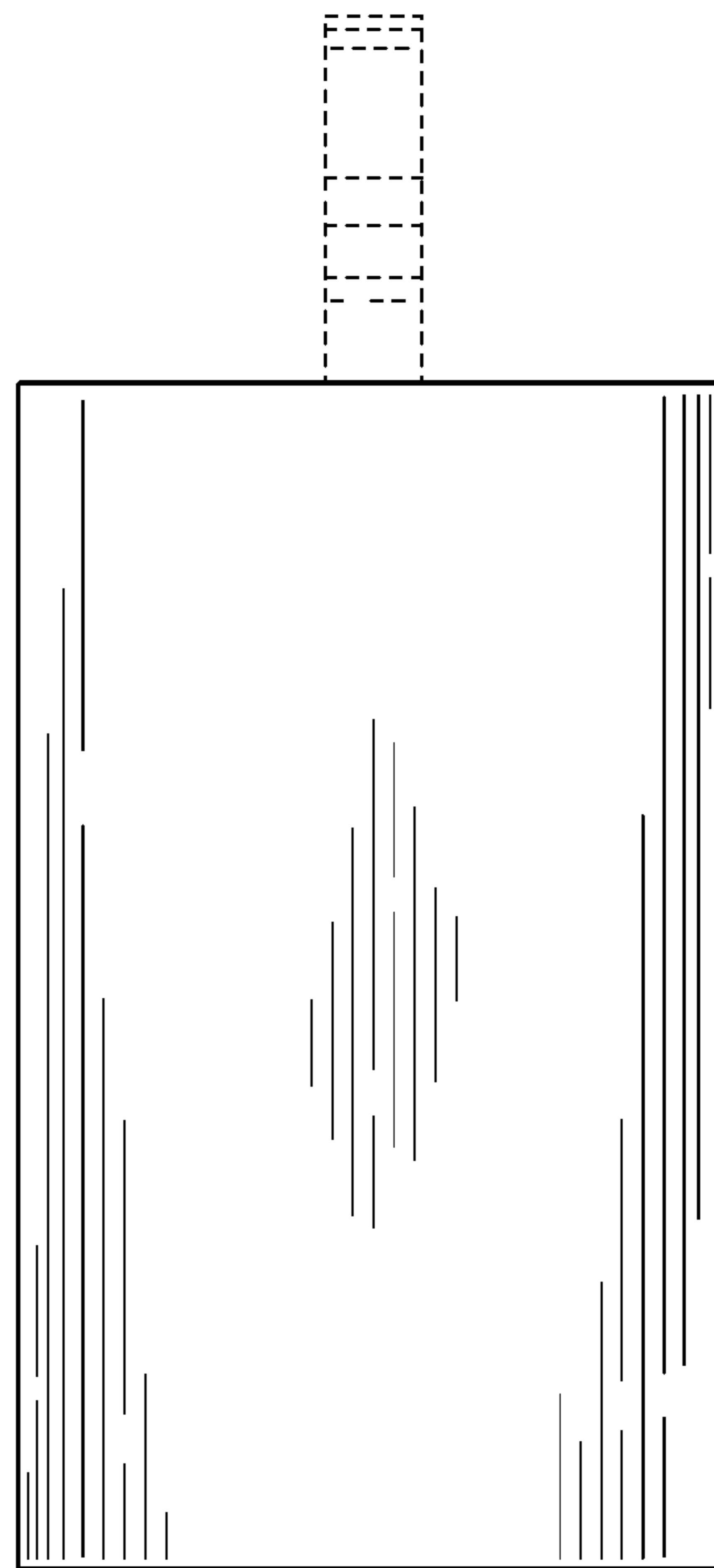


FIG. 6