



US00D579141S

(12) **United States Design Patent**  
**Guercio**

(10) **Patent No.:** **US D579,141 S**  
(45) **Date of Patent:** **\*\* Oct. 21, 2008**

(54) **AREA LIGHT**

(75) Inventor: **Vincenzo Guercio**, Wallkill, NY (US)

(73) Assignee: **RAB Lighting, Inc.**, Northvale, NJ (US)

(\*\*) Term: **14 Years**

(21) Appl. No.: **29/303,756**

(22) Filed: **Feb. 15, 2008**

(51) **LOC (8) Cl.** ..... **26-03**

(52) **U.S. Cl.** ..... **D26/92; D26/85**

(58) **Field of Classification Search** ..... D26/67-71,  
D26/85, 87, 92; 362/145, 249, 252, 431,  
362/432

See application file for complete search history.

(56) **References Cited**

**U.S. PATENT DOCUMENTS**

5,136,493	A *	8/1992	Straus et al.	.....	362/373
D404,841	S *	1/1999	Compton	.....	D26/67
D411,634	S *	6/1999	Connelly	.....	D26/24
D447,590	S *	9/2001	Raouf et al.	.....	D26/71
6,467,928	B2 *	10/2002	Crelin	.....	362/147
D501,947	S *	2/2005	Haugaard et al.	.....	D26/71
D552,282	S *	10/2007	Guercio	.....	D26/63
7,296,914	B1 *	11/2007	Russello et al.	.....	362/285

**OTHER PUBLICATIONS**

“Silhouette Series, Medium Cutoff Roadway Luminaire,” Crescent Stonco, Union, New Jersey, 2 pages, Apr. 2007.

“Alaire,” Spaulding Lighting, Cast Luminaries, Jun. 2006, p. 562, Greenville, South Carolina, 1 page.

“Cimarron,” Spaulding Lighting, Cast Luminaries, Jun. 2006, p. 563, Greenville, South Carolina, 1 page.

“MCL Series, Medium Cutoff Roadway Luminaire,” Crescent Stonco, Union, New Jersey, 3 pages, Jul. 2007.

“Raven,” Spaulding Lighting, Rectangular Luminaries, Jun. 2006, p. 566, Greenville, South Carolina, 1 page.

\* cited by examiner

*Primary Examiner*—Clare E Heflin

(74) *Attorney, Agent, or Firm*—Overhauser Law Offices, LLC

(57) **CLAIM**

The ornamental design for an area light, as shown and described.

**DESCRIPTION**

FIG. 1 is a front perspective view of an area light showing my new design;

FIG. 2 is a rear perspective view thereof;

FIG. 3 is a bottom perspective view thereof;

FIG. 4 is a front view thereof;

FIG. 5 is a rear view thereof;

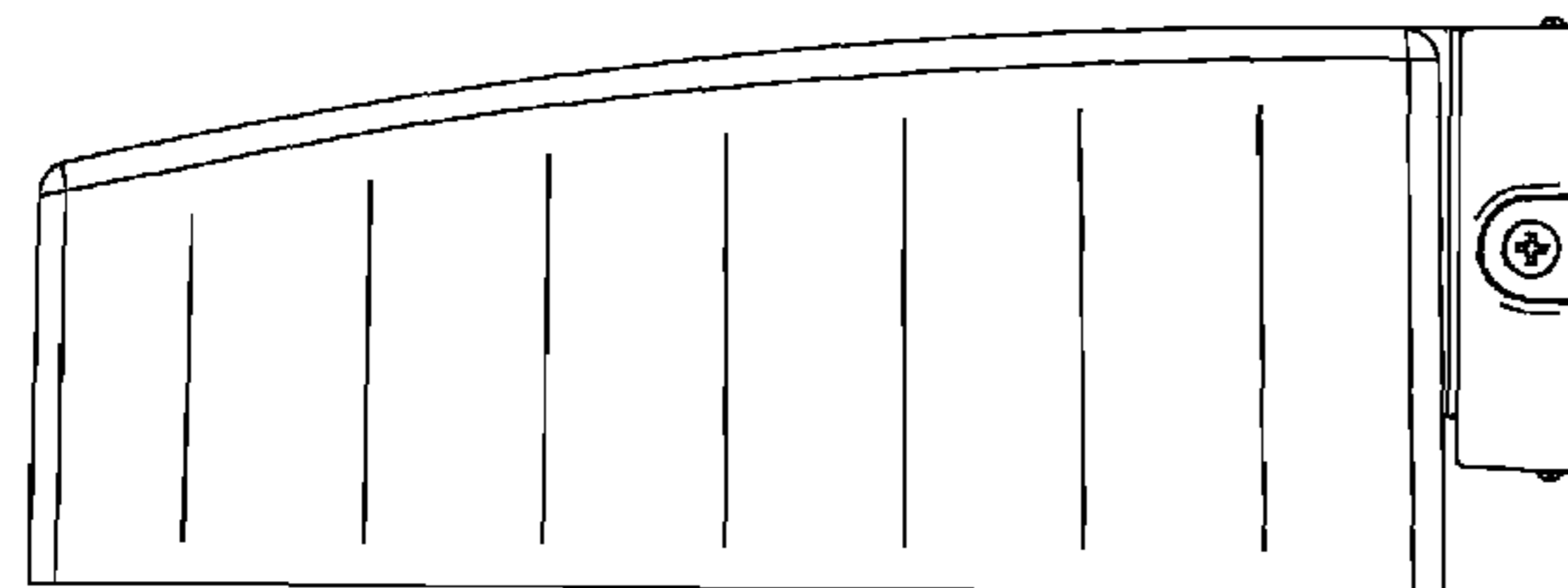
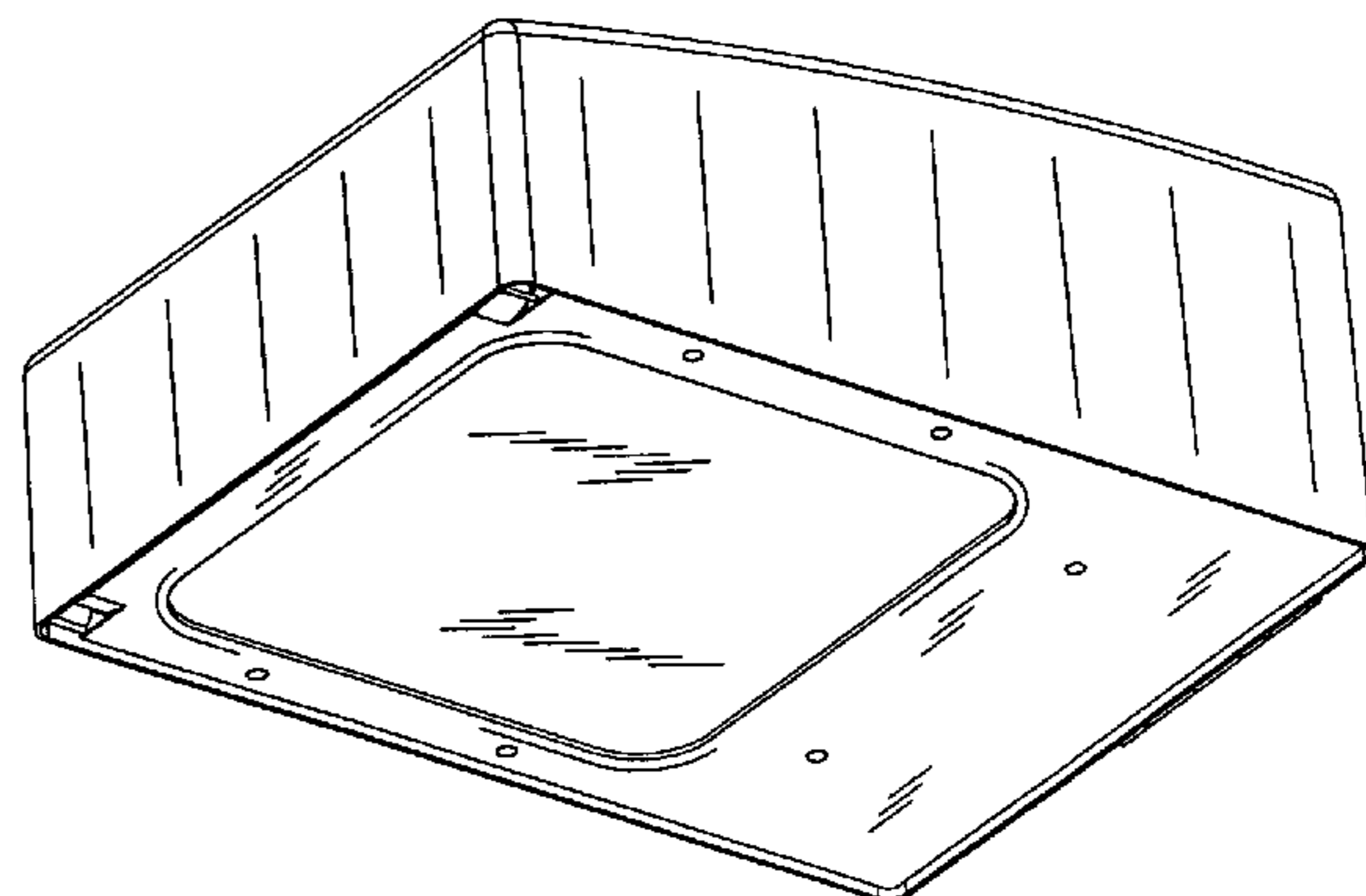
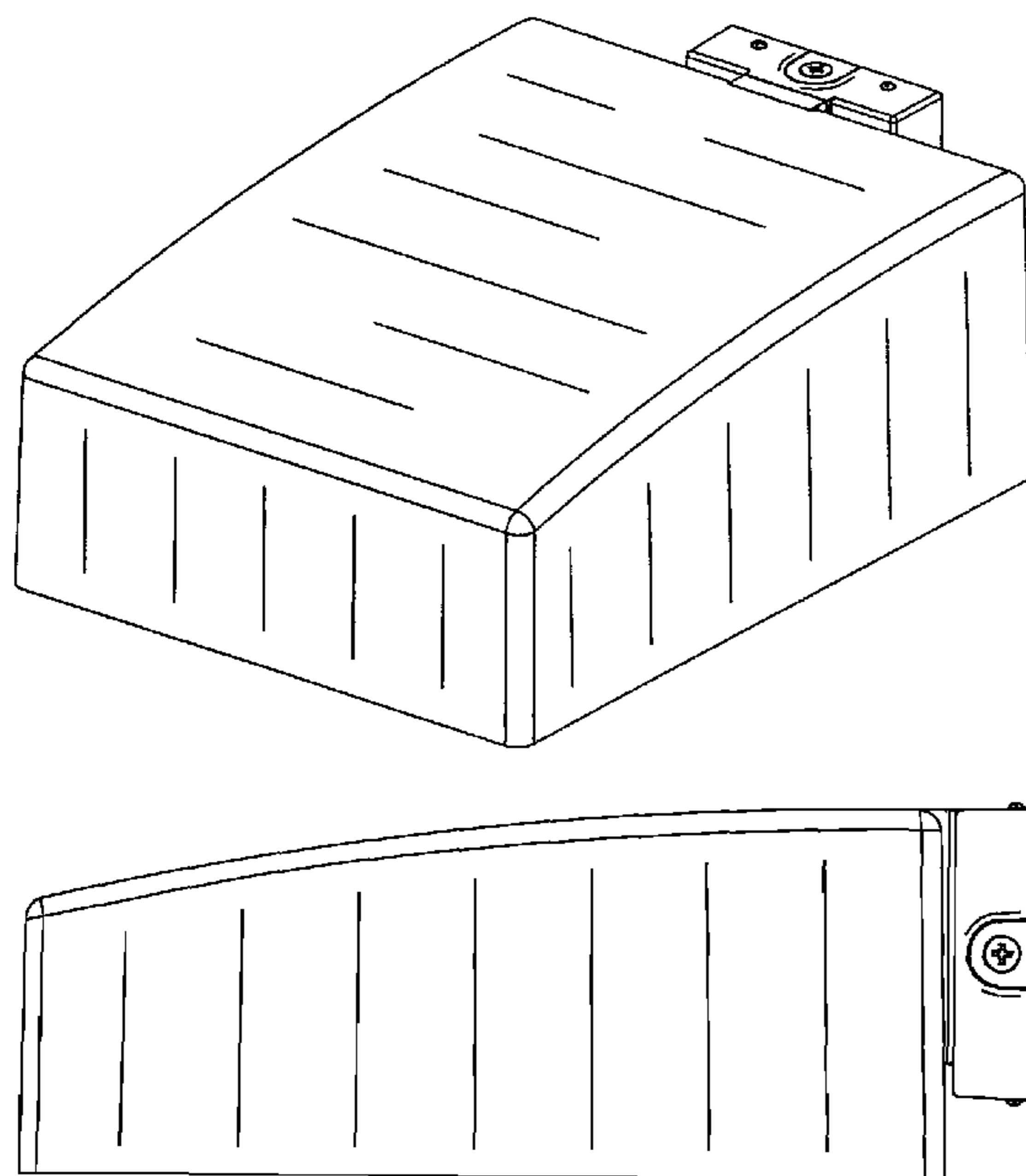
FIG. 6 is a side view thereof;

FIG. 7 is a view of the other side thereof;

FIG. 8 is a top view thereof; and,

FIG. 9 is a bottom view thereof.

**1 Claim, 5 Drawing Sheets**



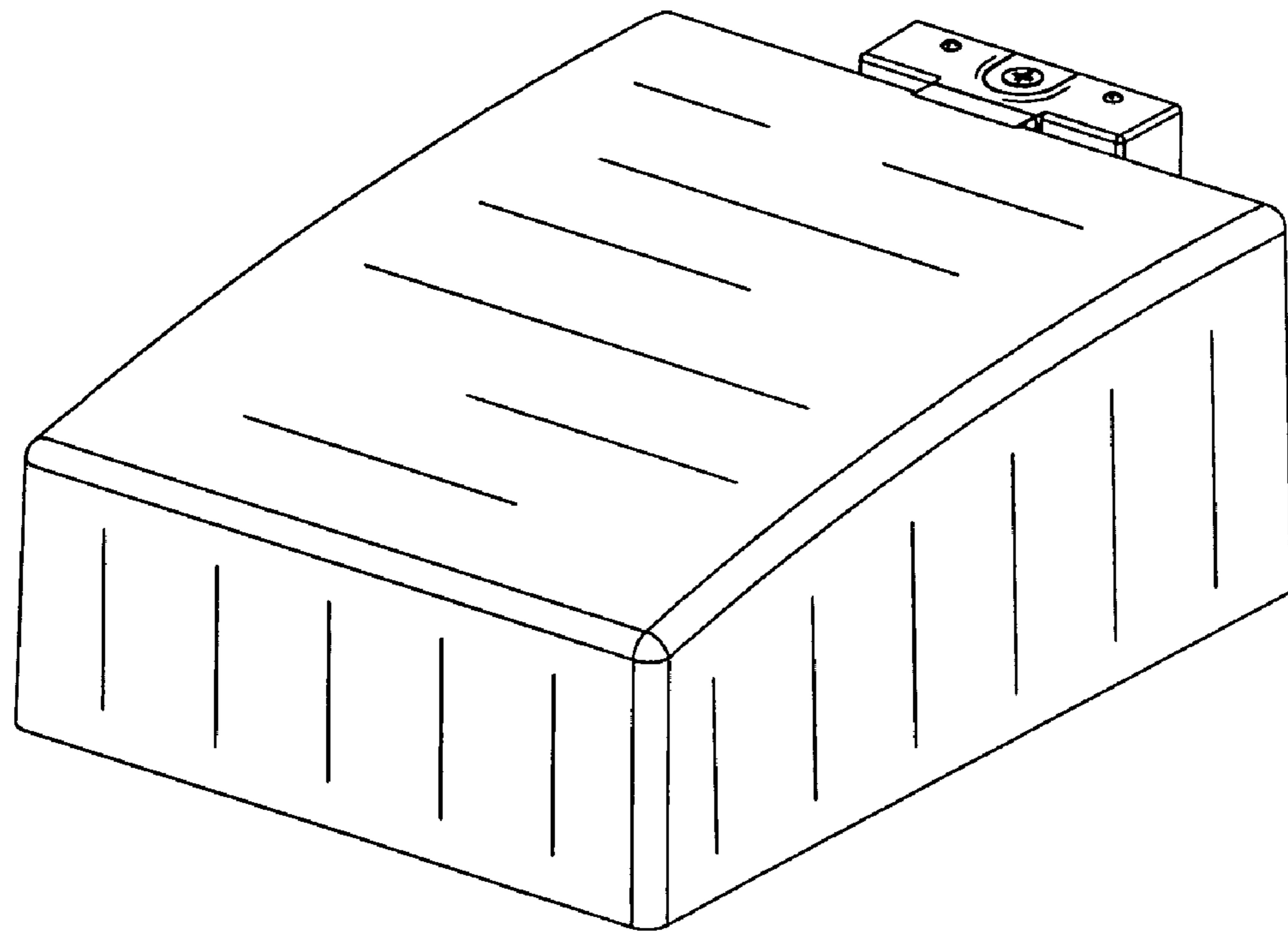


FIG. 1

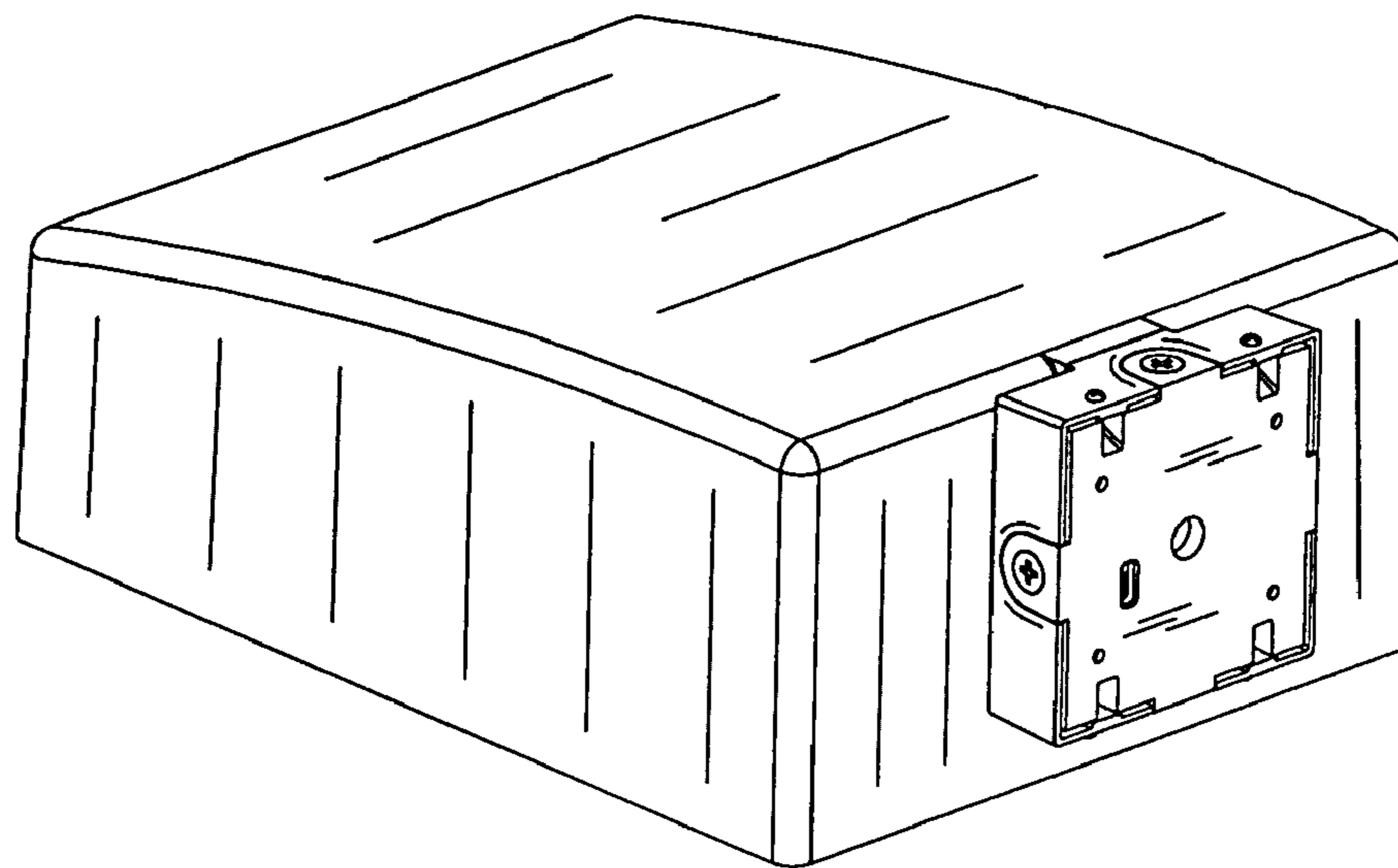


FIG. 2

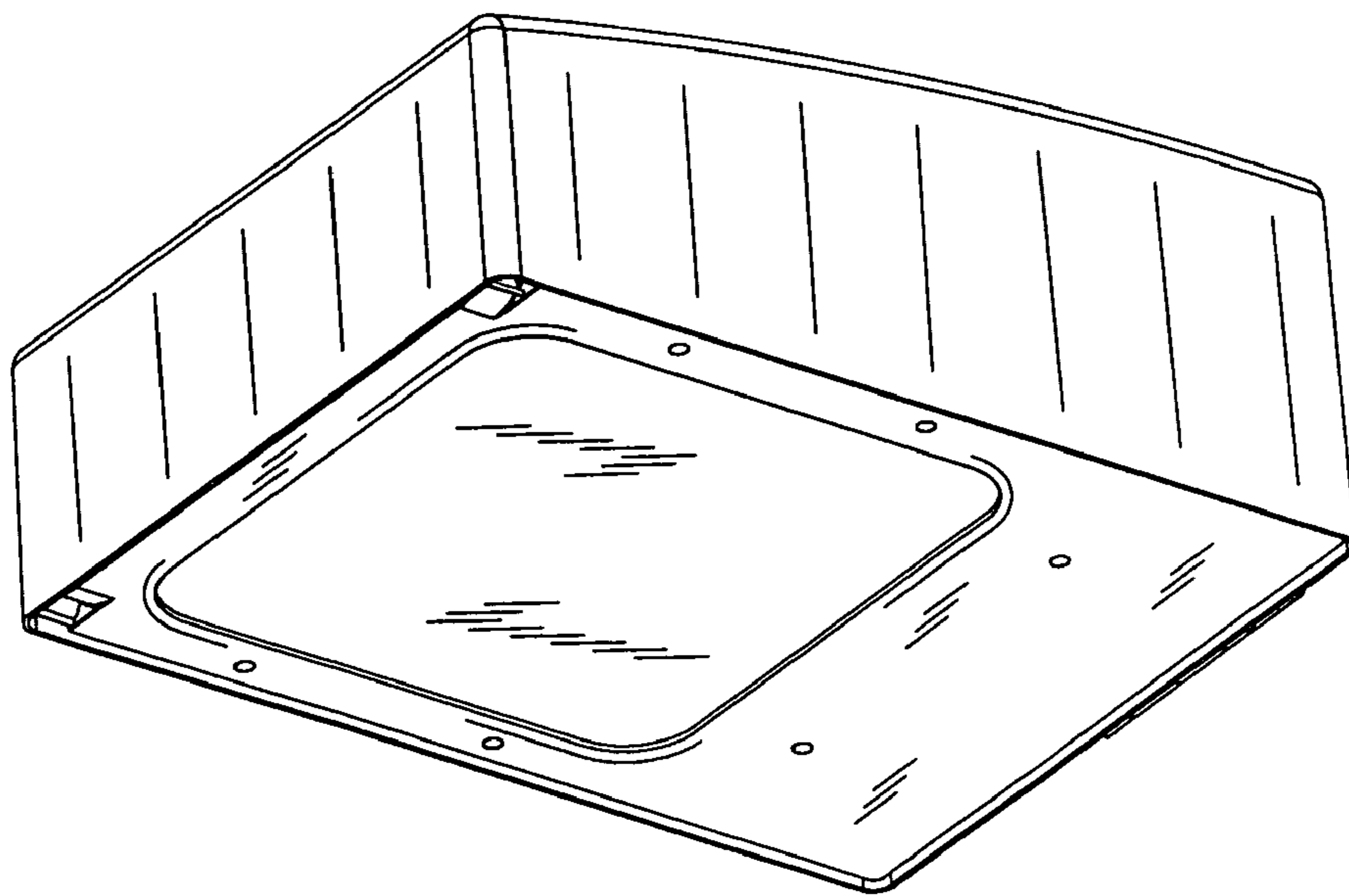


FIG. 3

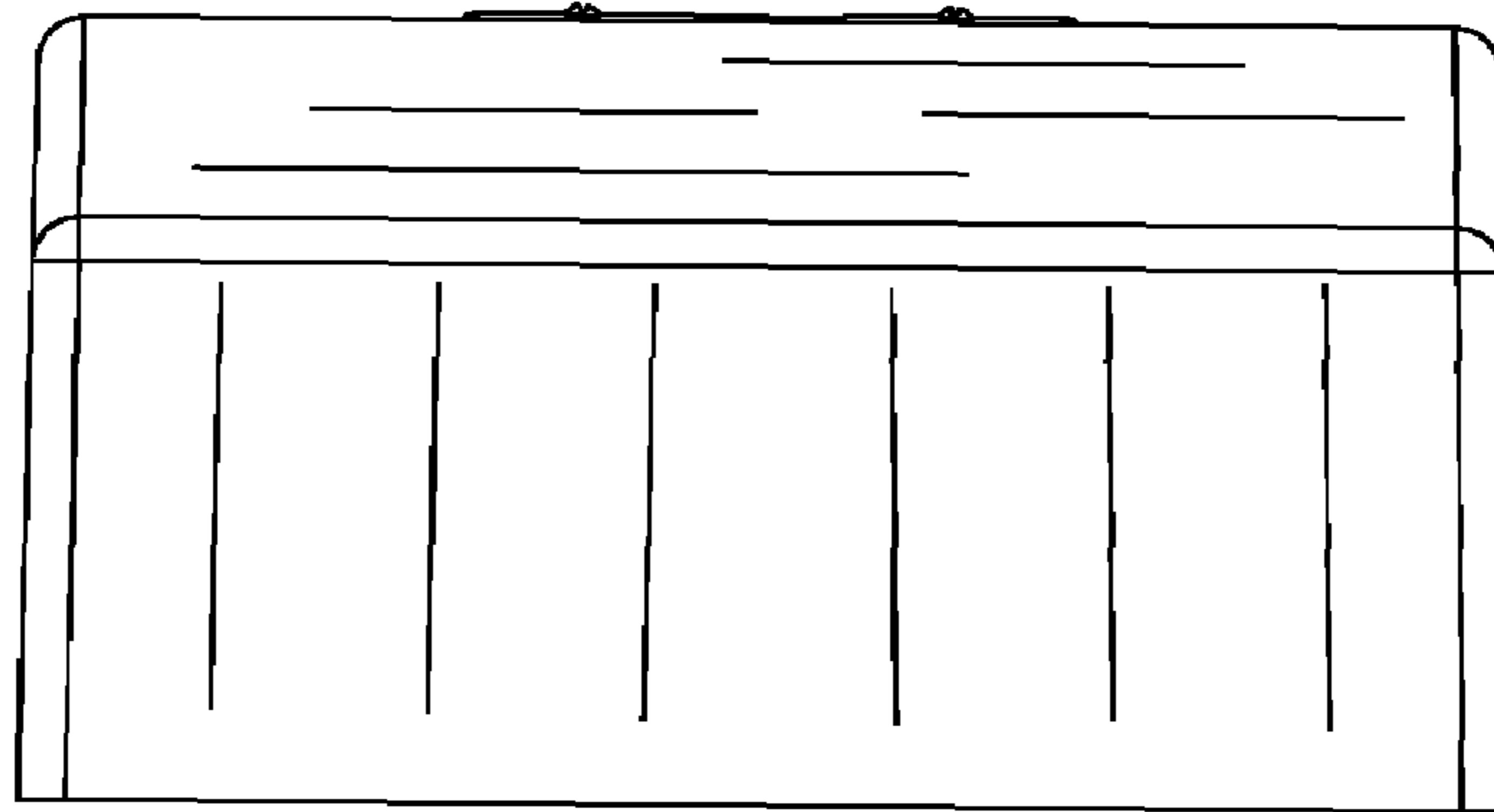


FIG. 4

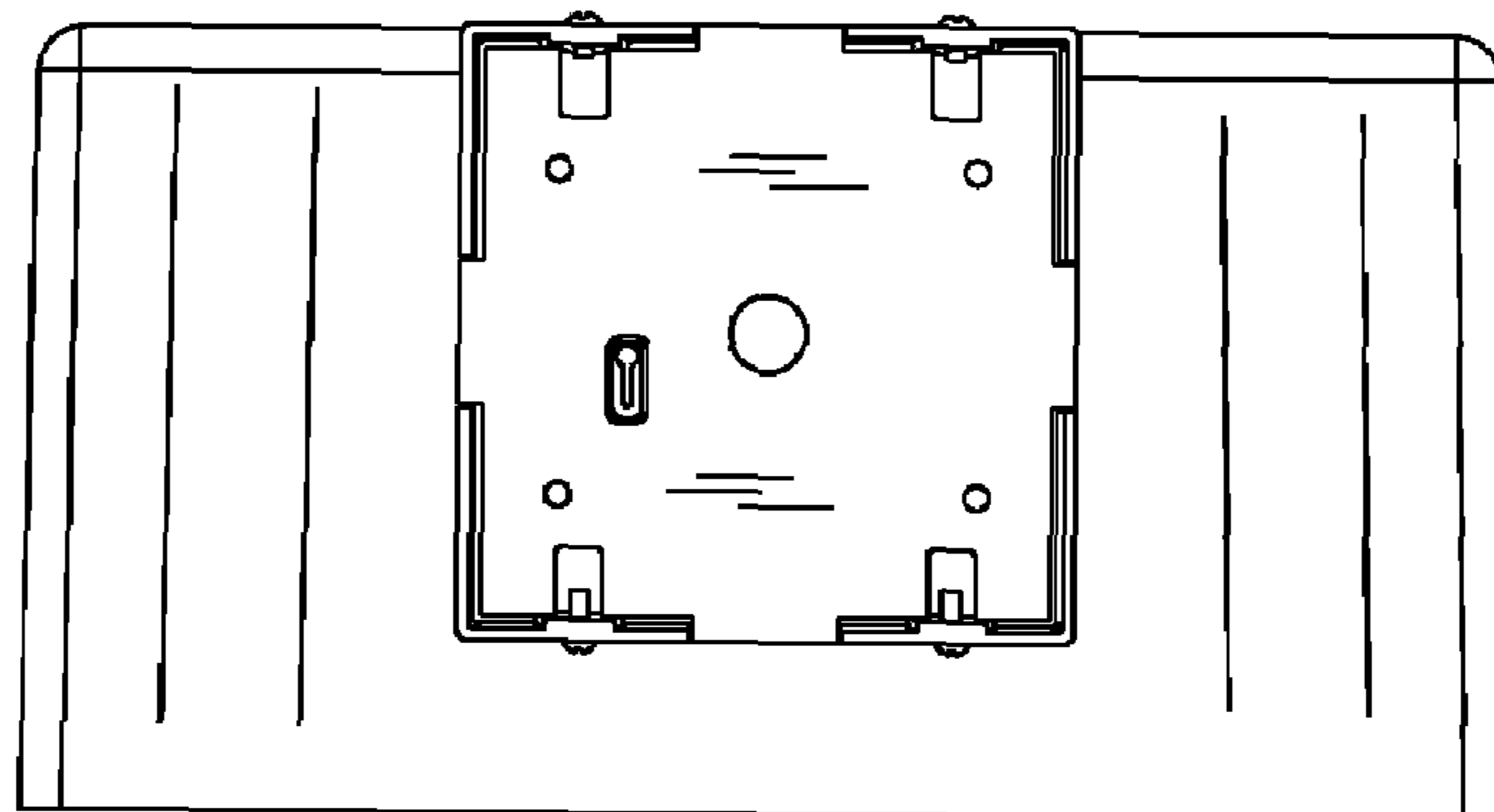


FIG. 5

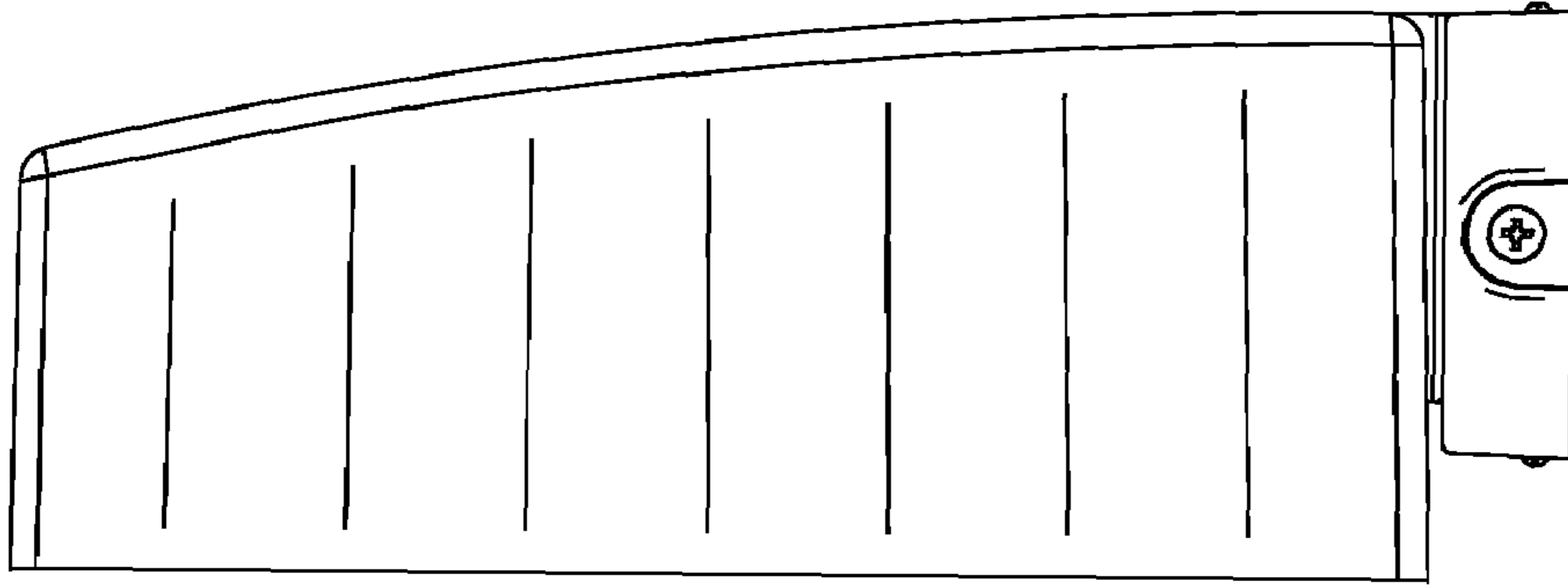


FIG. 6

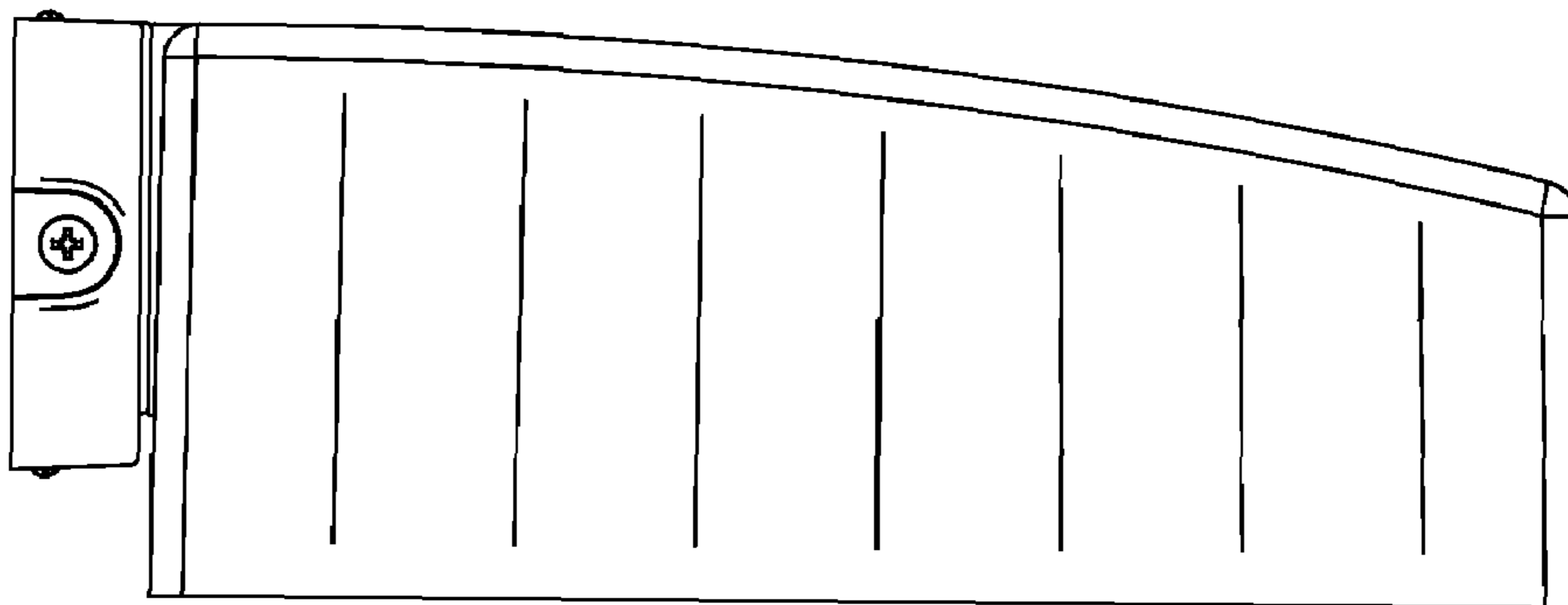


FIG. 7

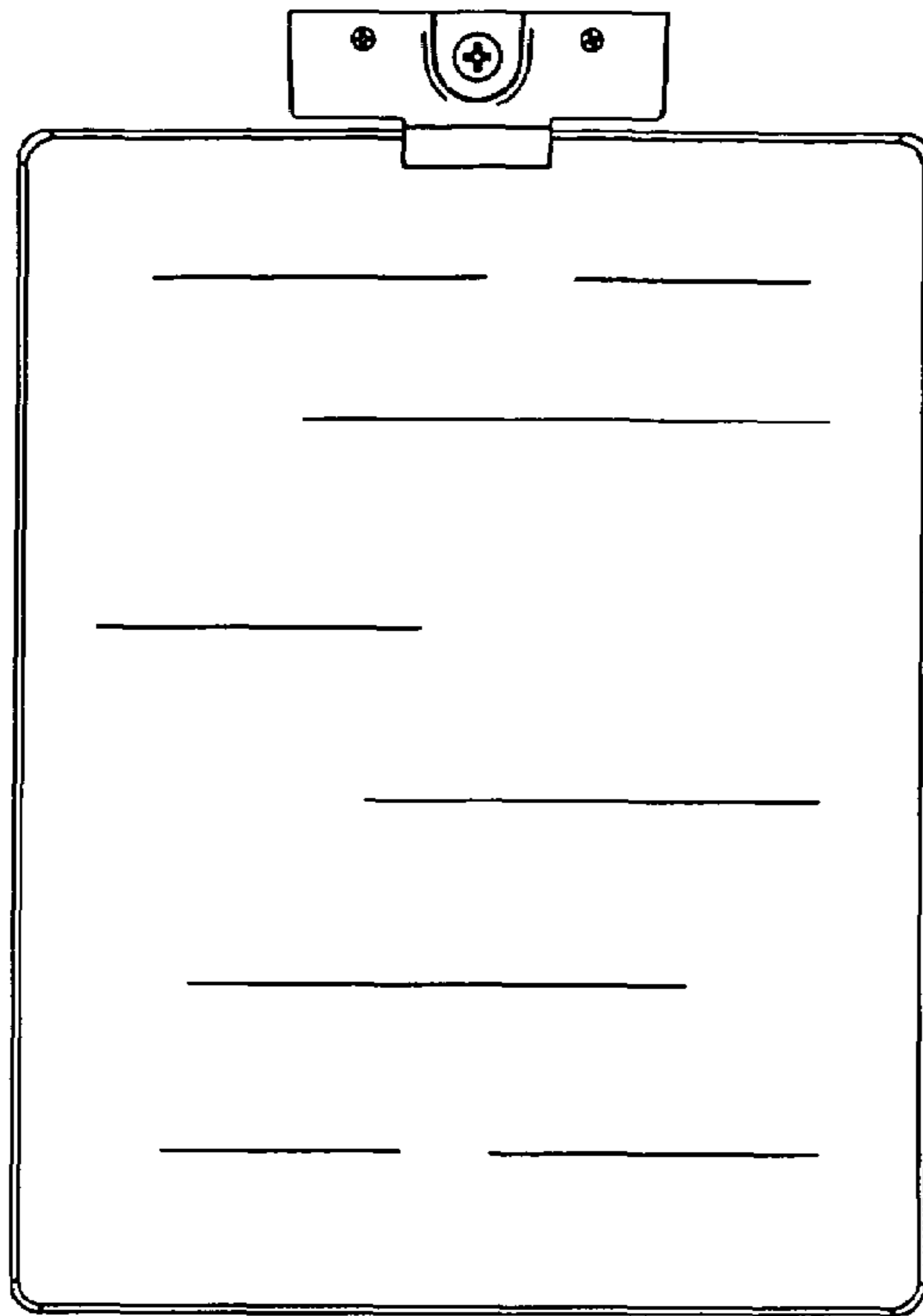


FIG. 8

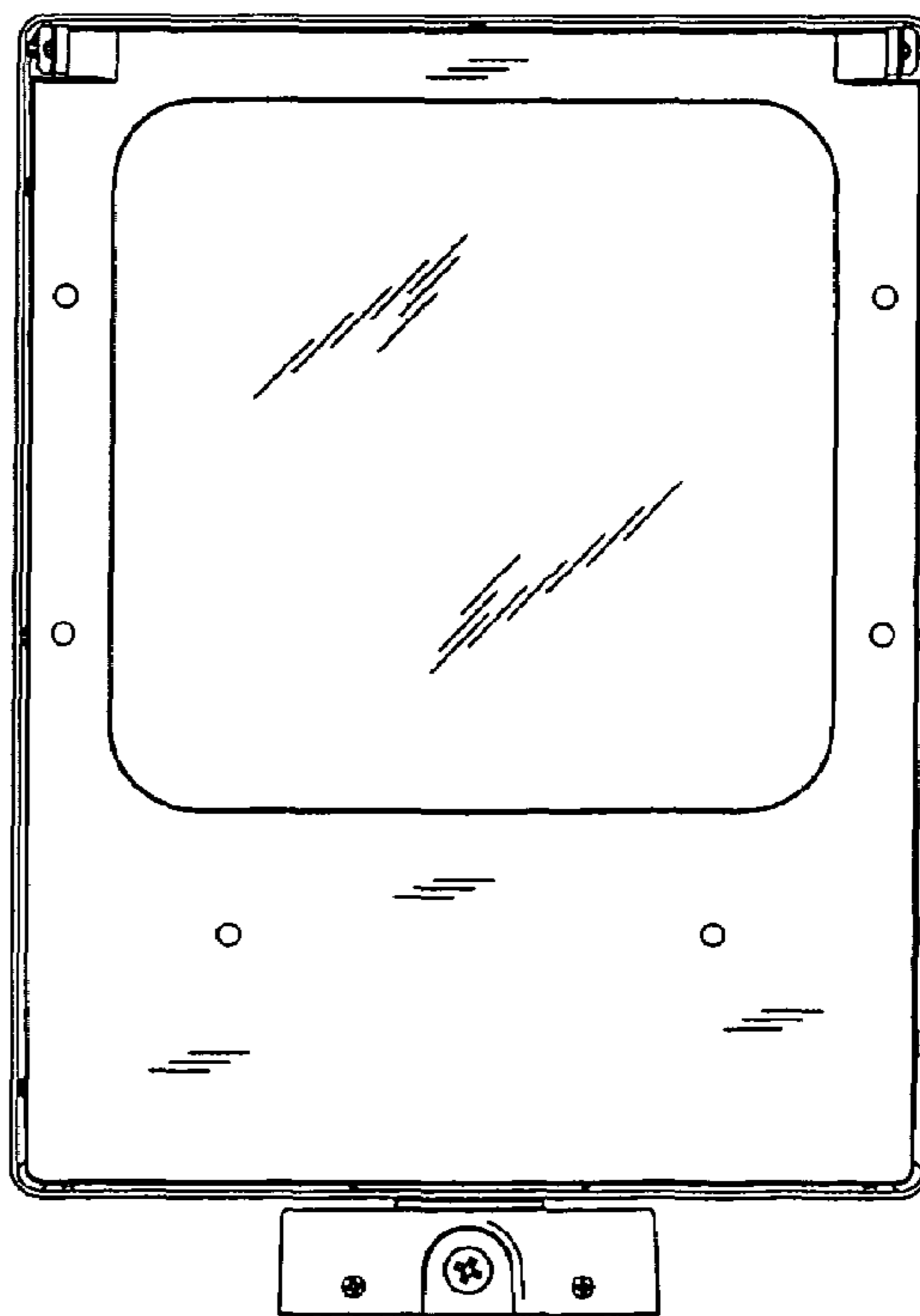


FIG. 9