



US00D579138S

(12) **United States Design Patent**
Ghini

(10) **Patent No.:** **US D579,138 S**

(45) **Date of Patent:** **** Oct. 21, 2008**

(54) **LIGHT**

(75) Inventor: **Massimo Iosa Ghini**, Bologna (IT)

(73) Assignee: **Zumtobel Lighting GmbH**, Dornbirn (AU)

(**) Term: **14 Years**

(21) Appl. No.: **29/267,715**

(22) Filed: **Oct. 18, 2006**

(30) **Foreign Application Priority Data**

Apr. 19, 2006	(EM)	000514237-0001
Apr. 19, 2006	(EM)	000514237-0002
Apr. 19, 2006	(EM)	000514237-0003
Apr. 19, 2006	(EM)	000514237-0004
Apr. 19, 2006	(EM)	000514237-0005
Apr. 19, 2006	(EM)	000514237-0006

(51) **LOC (8) Cl.** **26-03**

(52) **U.S. Cl.** **D26/76; D26/72**

(58) **Field of Classification Search** D26/72,
D26/74-79, 80, 81, 83, 85-89; 362/217-225,
362/260, 283, 347, 363
See application file for complete search history.

(56) **References Cited**

U.S. PATENT DOCUMENTS

D141,068 S *	5/1945	Maurette	D26/76
D163,832 S *	7/1951	Smith et al.	D26/76
D205,302 S *	7/1966	Wince	D26/76

D206,286 S *	11/1966	Ostyn	D26/76
D246,330 S *	11/1977	Krase et al.	D26/76
D318,929 S *	8/1991	Herst et al.	D26/76
D362,315 S *	9/1995	Herst et al.	D26/76
D437,959 S *	2/2001	Lewis	D26/76
D438,326 S *	2/2001	Kan	D26/76
D486,263 S *	2/2004	Grothe et al.	D26/118
D493,565 S *	7/2004	Smith et al.	D26/118
D496,122 S *	9/2004	Kan	D26/76
D513,643 S *	1/2006	Vakil et al.	D26/76

* cited by examiner

Primary Examiner—Robert M. Spear

Assistant Examiner—Susan E Krakower

(74) *Attorney, Agent, or Firm*—Marshall Gerstein & Borun LLP

(57) **CLAIM**

The ornamental design for a light, as shown and described.

DESCRIPTION

FIG. 1 is a top plan view of a light that has the design.

FIG. 2 is a side elevational view of the light, the opposite side view being identical.

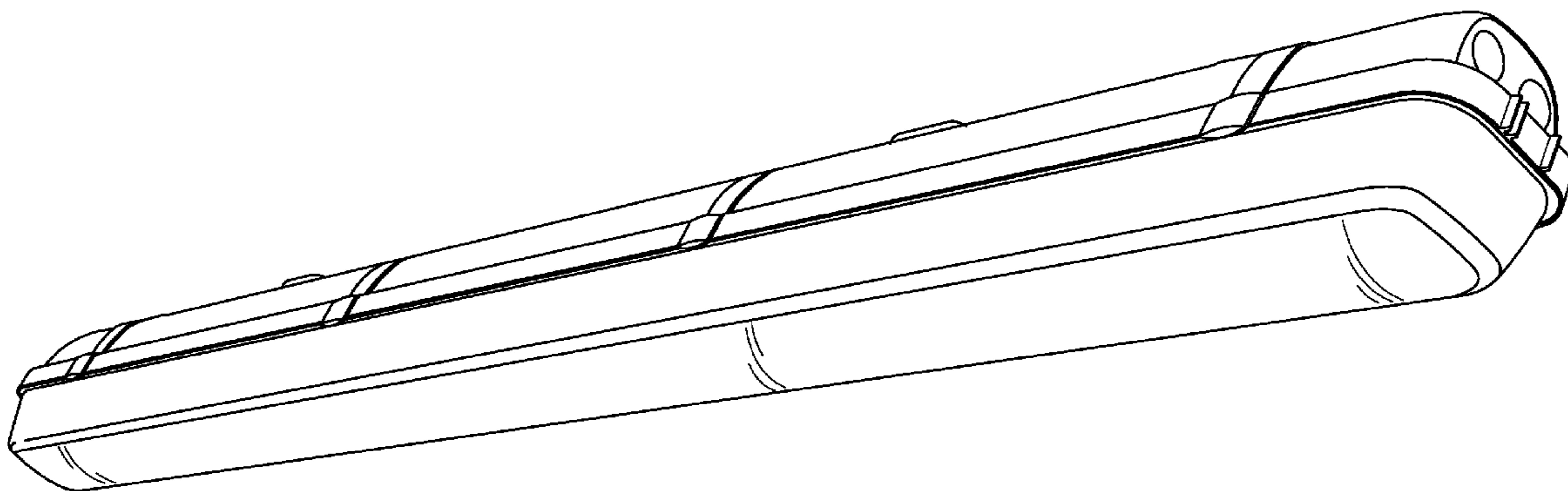
FIG. 3 is a bottom plan view of the light.

FIG. 4 is an enlarged end view of the light, the opposite end view being identical.

FIG. 5 is an enlarged perspective view of the light; and,

FIG. 6 is an enlarged fragmentary perspective view of the light.

1 Claim, 3 Drawing Sheets



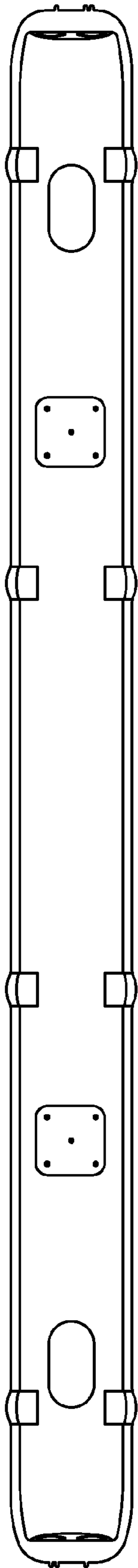


Fig. 1

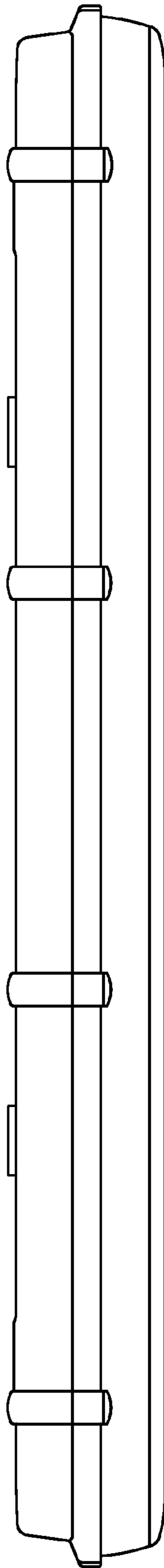


Fig. 2

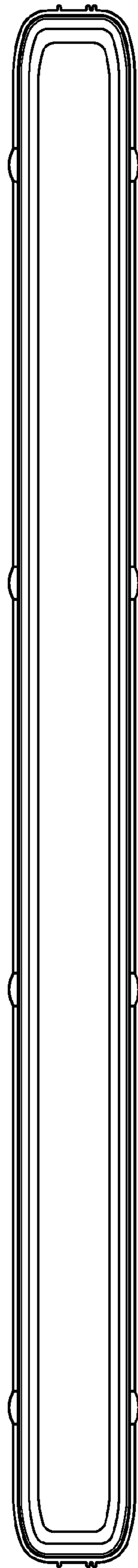


Fig. 3

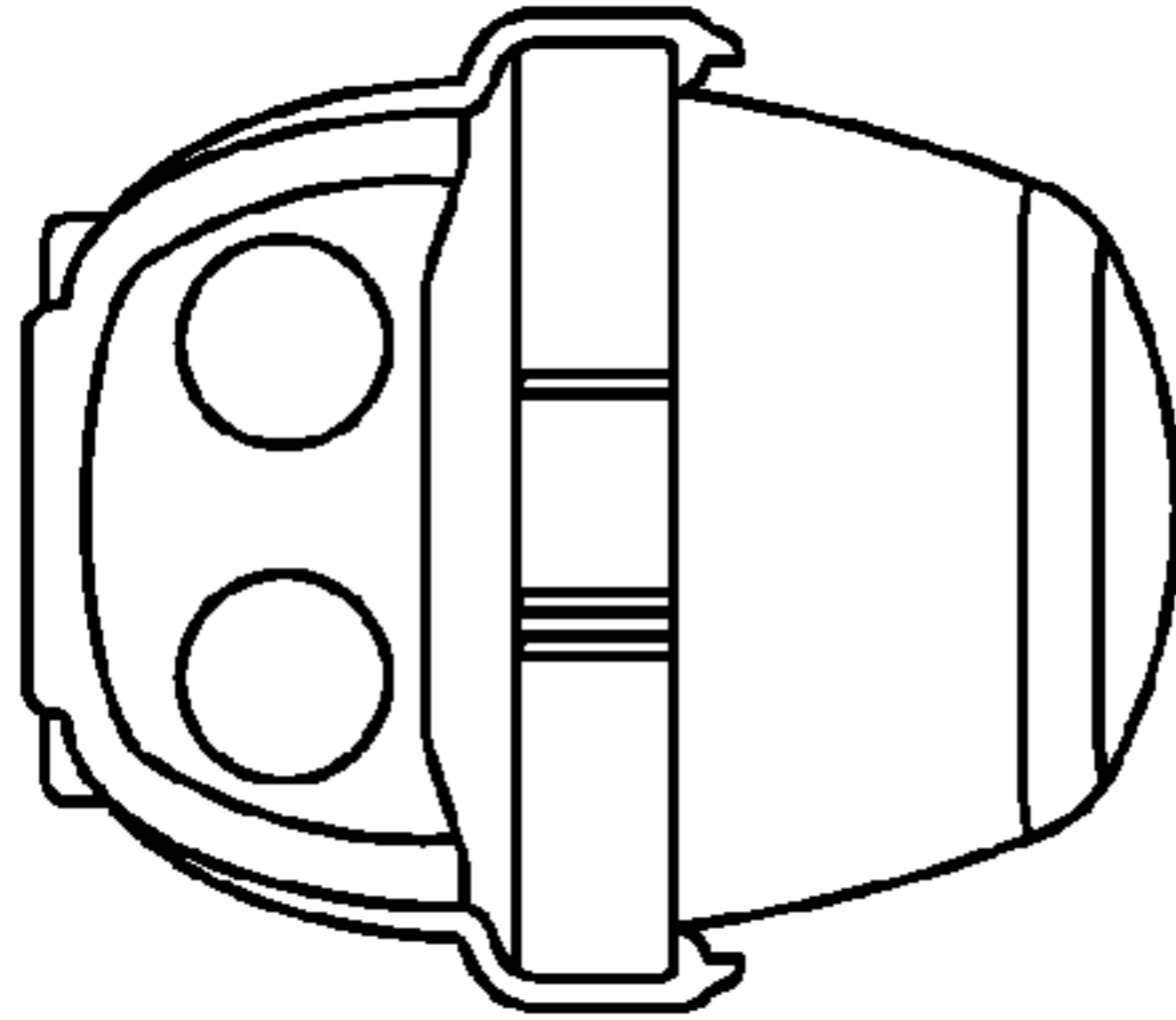


Fig. 4

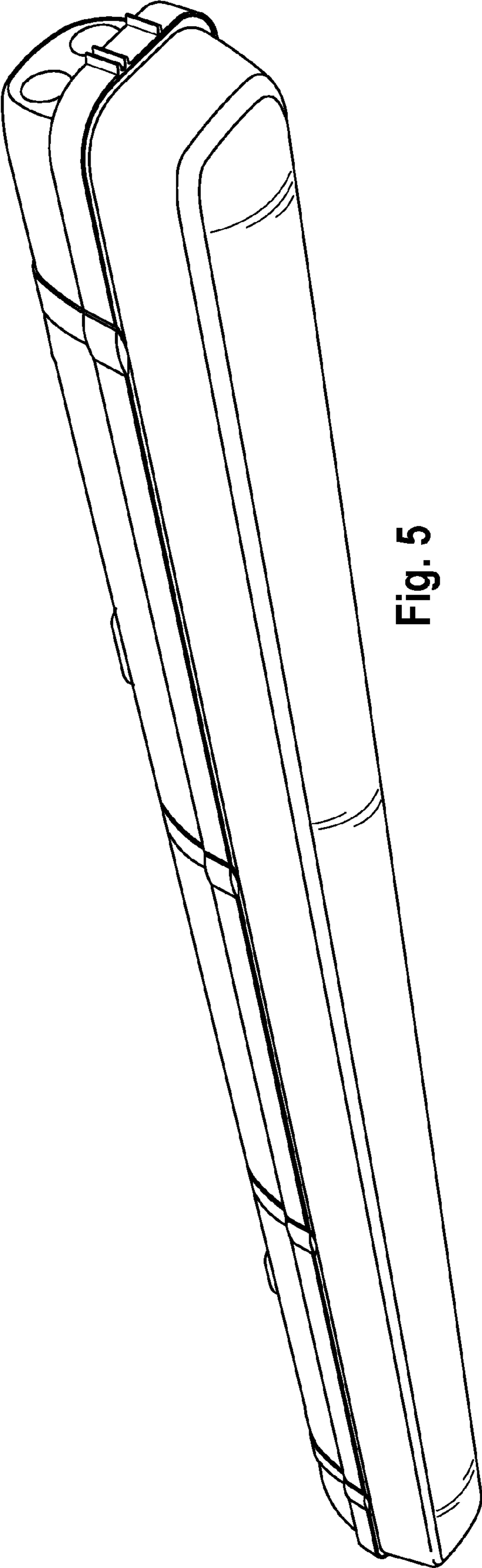


Fig. 5

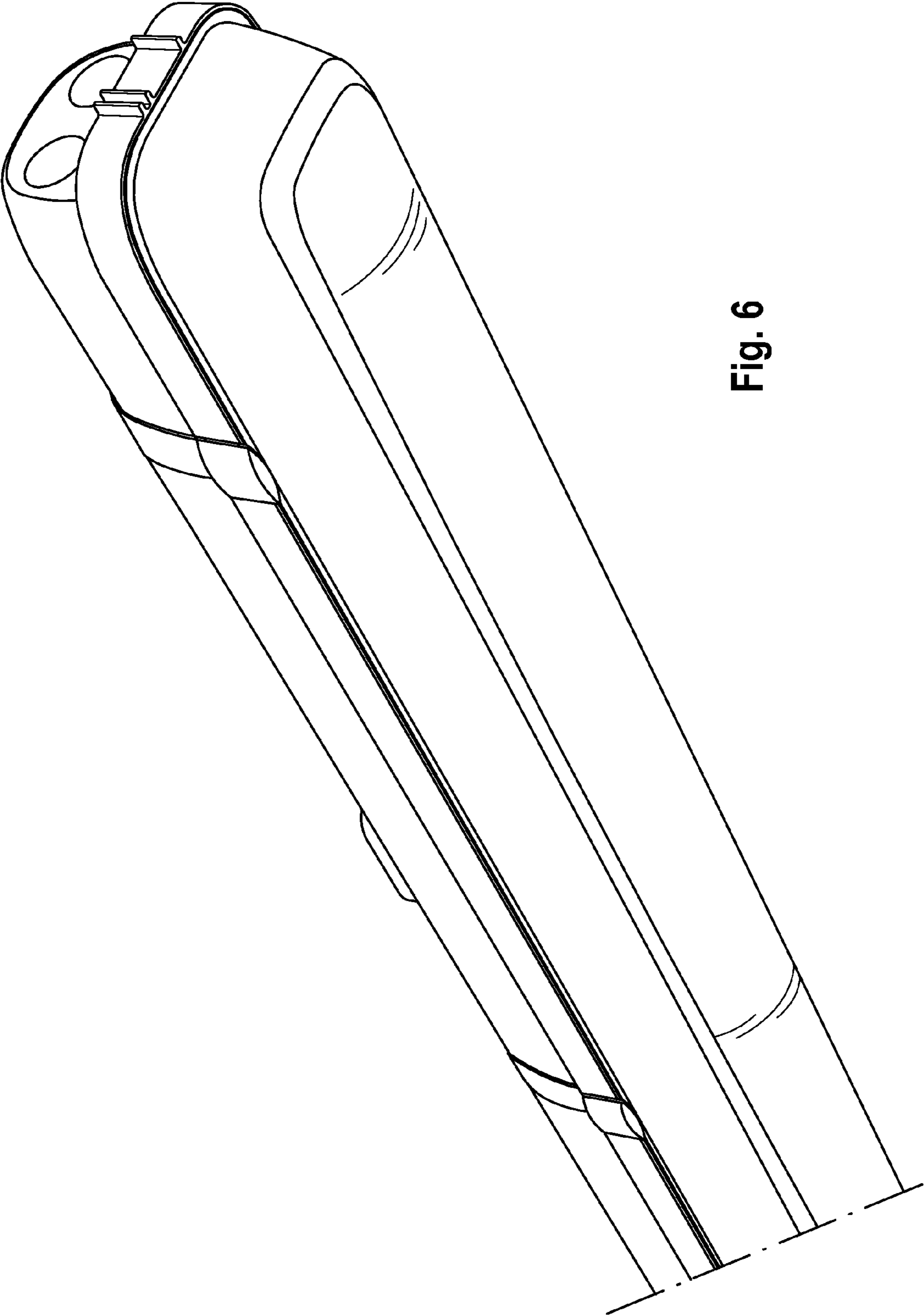


Fig. 6