



US00D579137S

(12) **United States Design Patent**
Shiu

(10) **Patent No.:** **US D579,137 S**

(45) **Date of Patent:** **** Oct. 21, 2008**

(54) **CLIP LIGHT**

(75) Inventor: **Stephanie Wai Man Shiu**, Kowloon (HK)

(73) Assignee: **Gold Coral International Limited**, San Po Kong, Kowloon (HK)

(**) Term: **14 Years**

(21) Appl. No.: **29/302,603**

(22) Filed: **Jan. 20, 2008**

(30) **Foreign Application Priority Data**

Jul. 24, 2007 (HK) 0701917

(51) **LOC (8) Cl.** **26-05**

(52) **U.S. Cl.** **D26/60**

(58) **Field of Classification Search** D26/37, D26/43, 44, 60-66, 39; 362/98, 99, 109-114, 362/191, 197, 198, 287, 427, 396

See application file for complete search history.

(56) **References Cited**

U.S. PATENT DOCUMENTS

D376,116 S * 12/1996 Dziersk et al. D10/106

D464,453 S * 10/2002 Cramer et al. D26/39
6,959,999 B2 * 11/2005 Lee 362/192
D528,242 S * 9/2006 Wood D26/67
D569,540 S * 5/2008 Bourgeois et al. D26/85

* cited by examiner

Primary Examiner—Clare E Heflin

Assistant Examiner—Barbara Fox

(74) *Attorney, Agent, or Firm*—Joseph G. Swan, PC

(57) **CLAIM**

The ornamental design for a clip light, as shown and described.

DESCRIPTION

FIG. 1 is a rear elevational view of a clip light according to the present invention.

FIG. 2 is a top plan view of the clip light.

FIG. 3 is a front elevational view of the clip light.

FIG. 4 is a left side elevational view of the clip light.

FIG. 5 is a bottom plan view of the clip light; and,

FIG. 6 is a right side elevational view of the clip light.

1 Claim, 2 Drawing Sheets

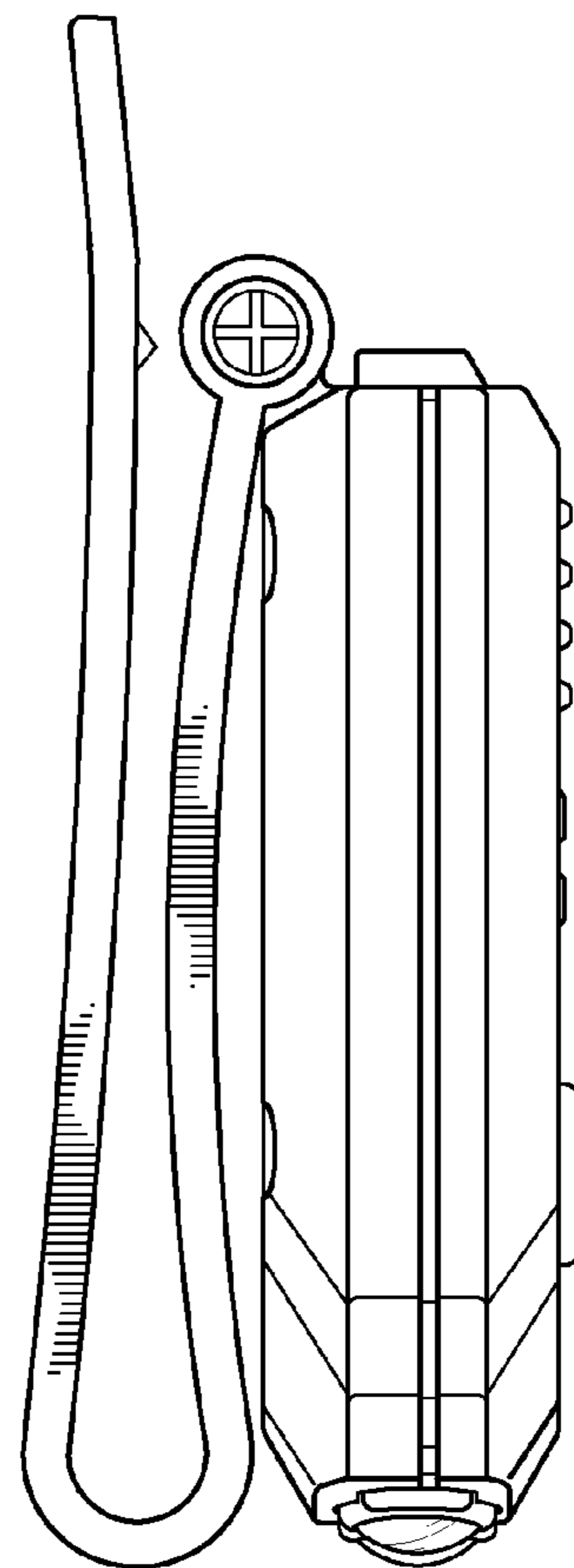
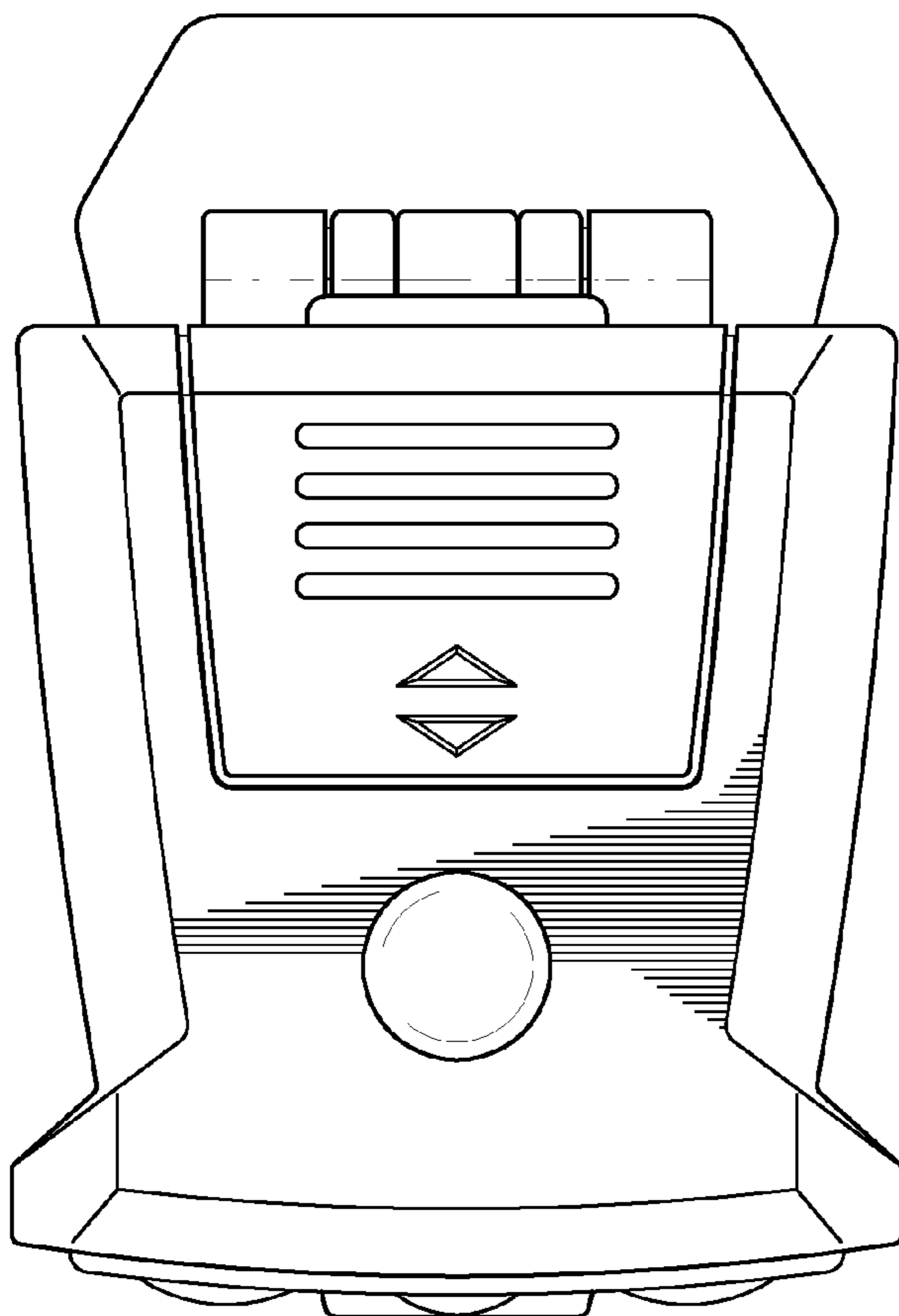


FIG. 1

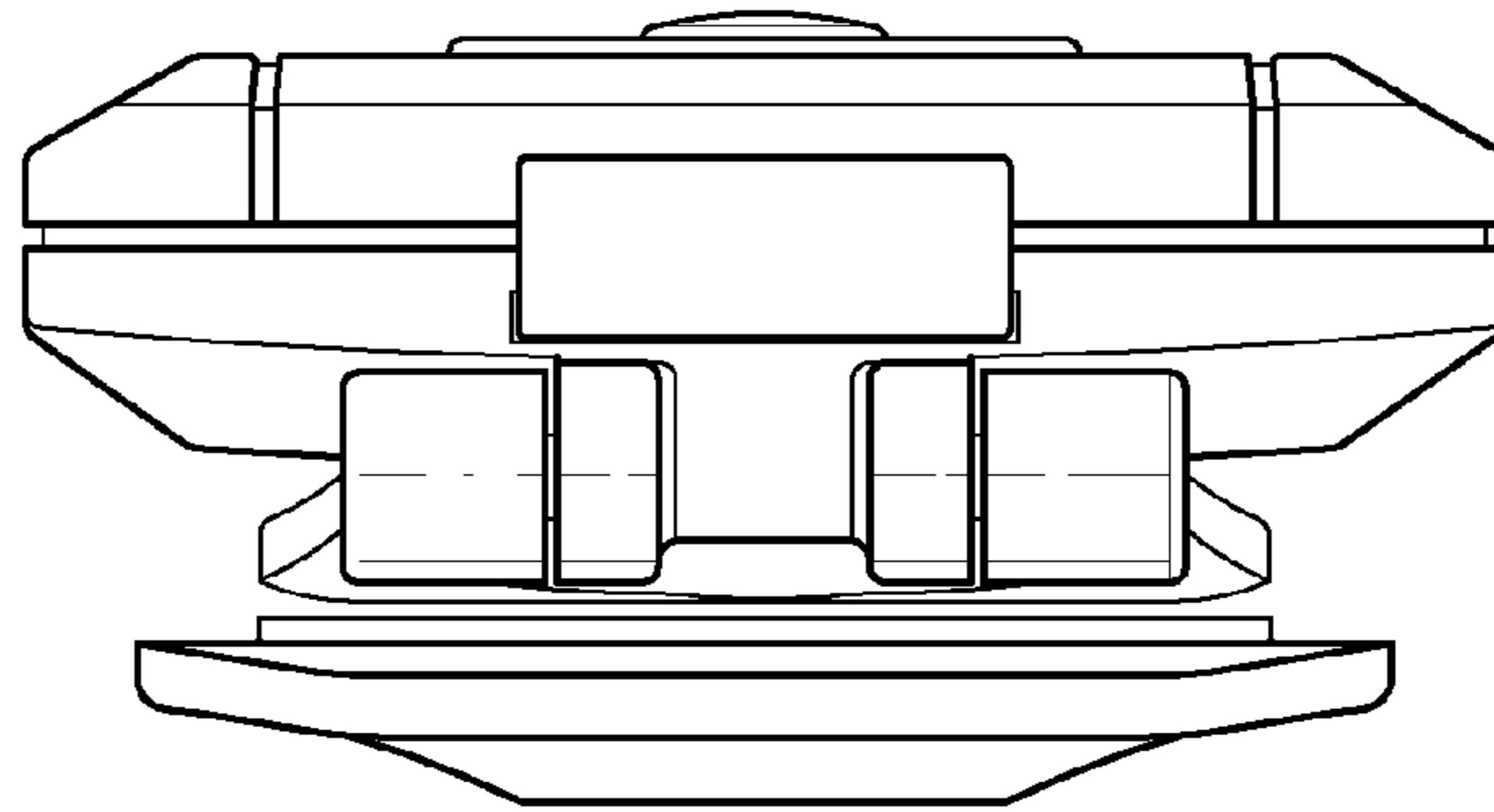


FIG. 2

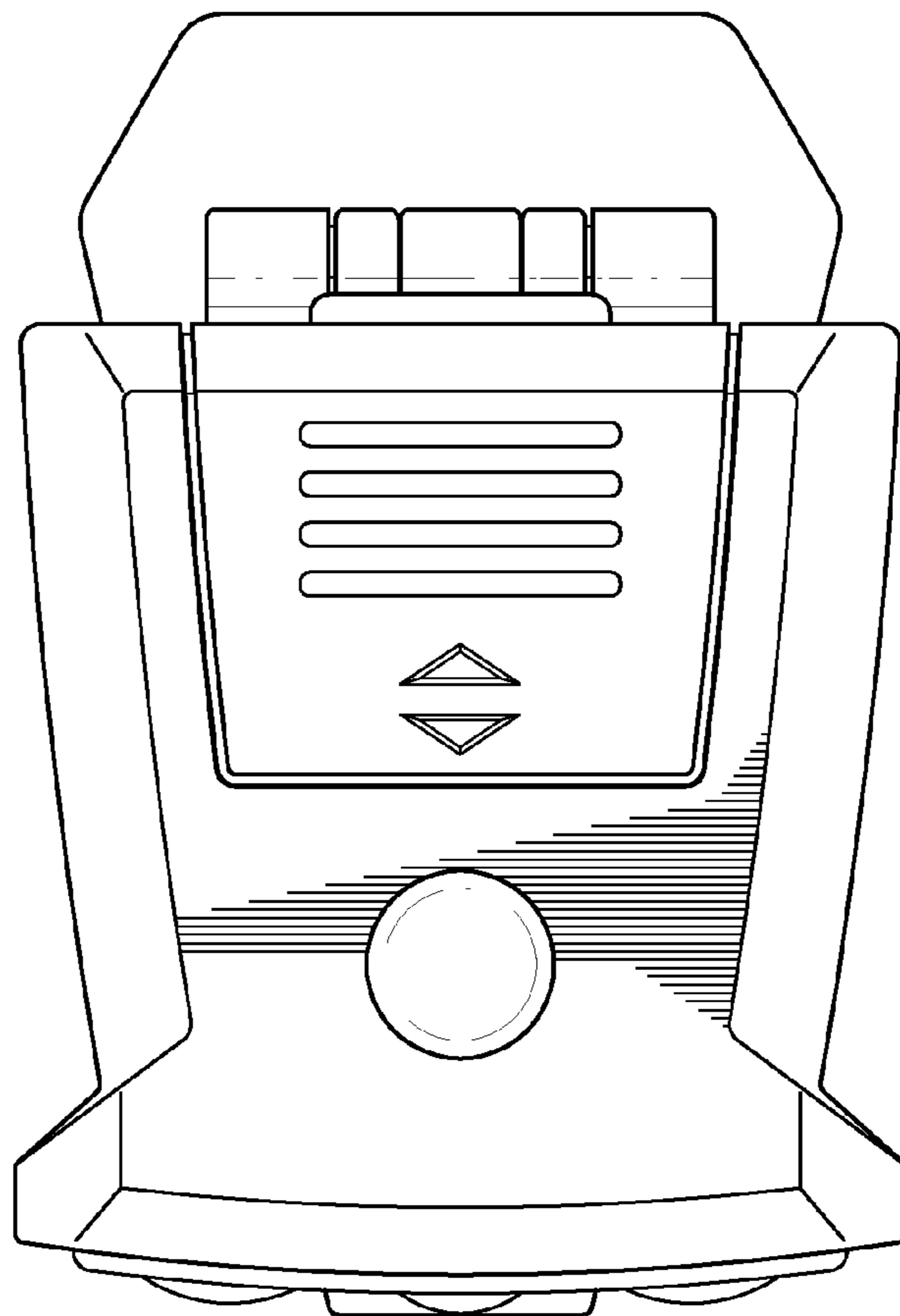
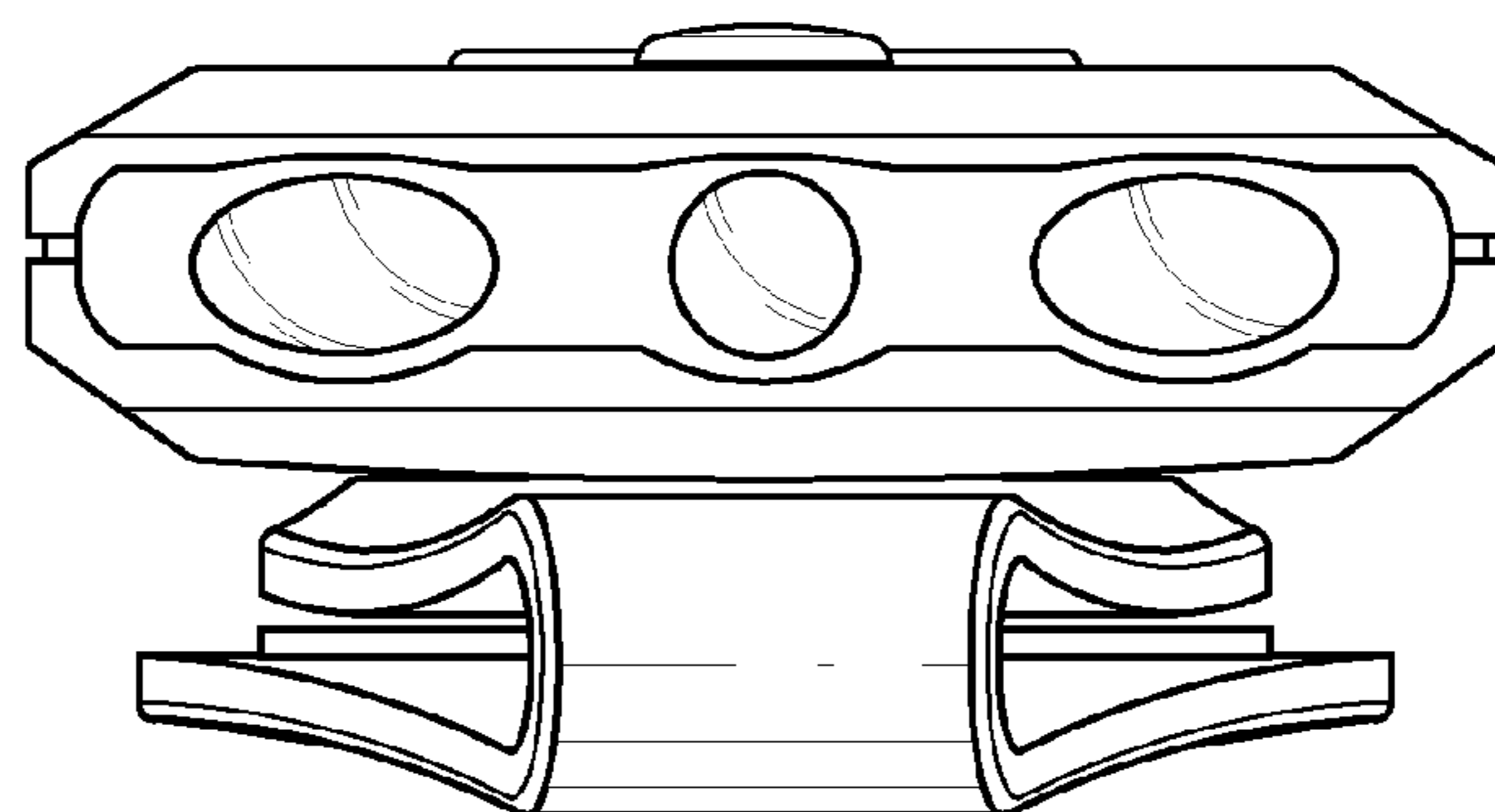


FIG. 3



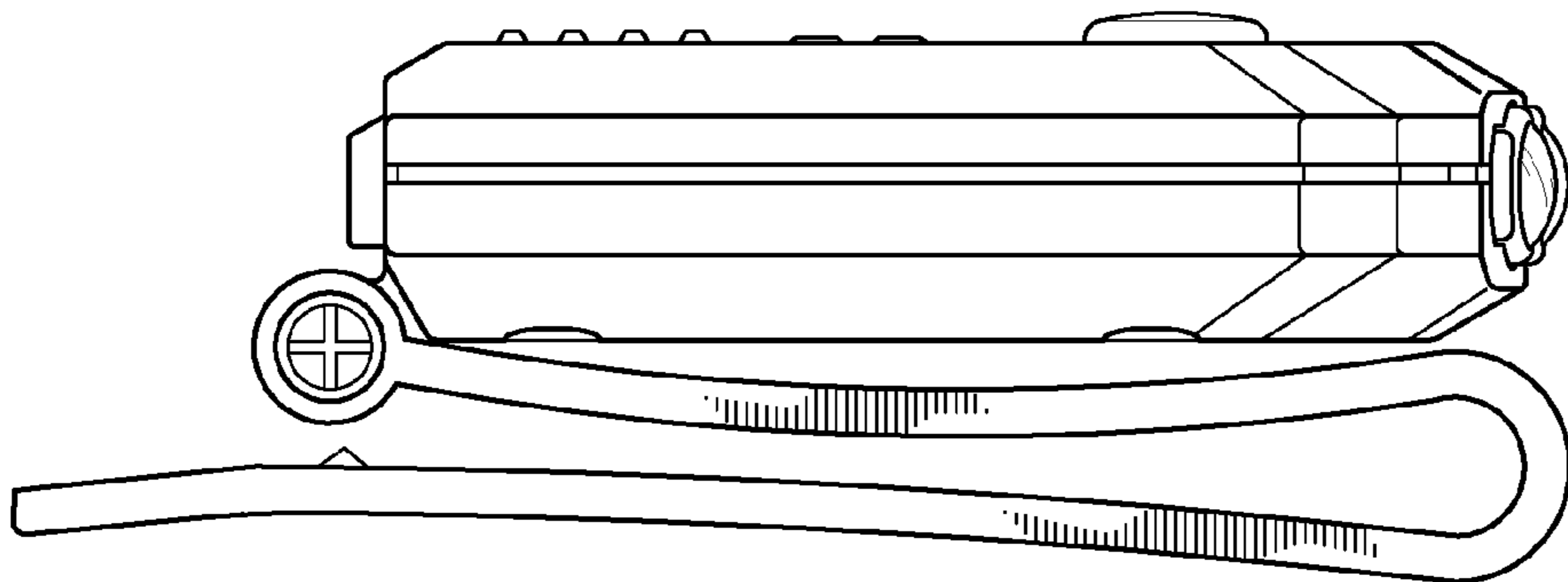


FIG. 6

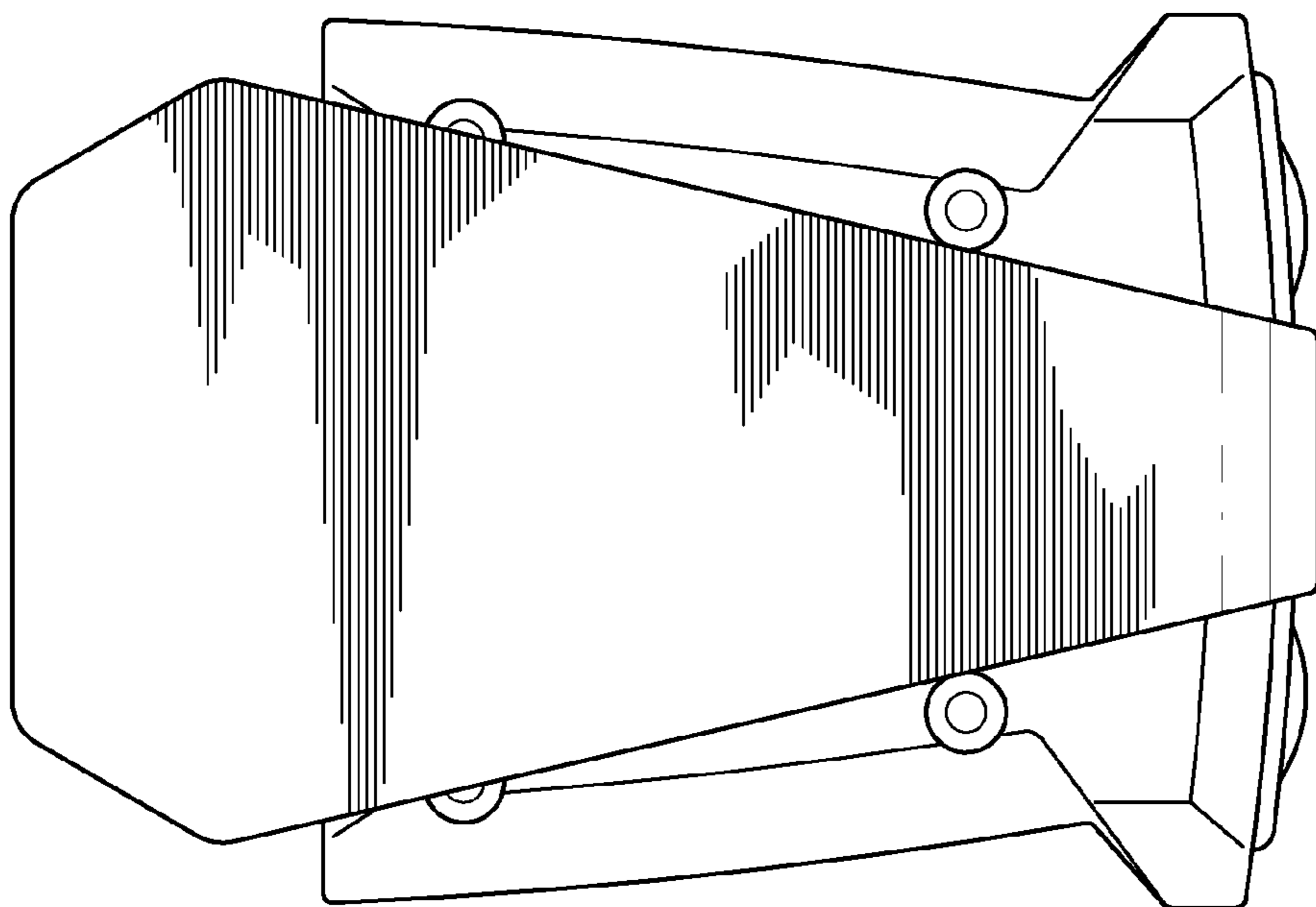


FIG. 5

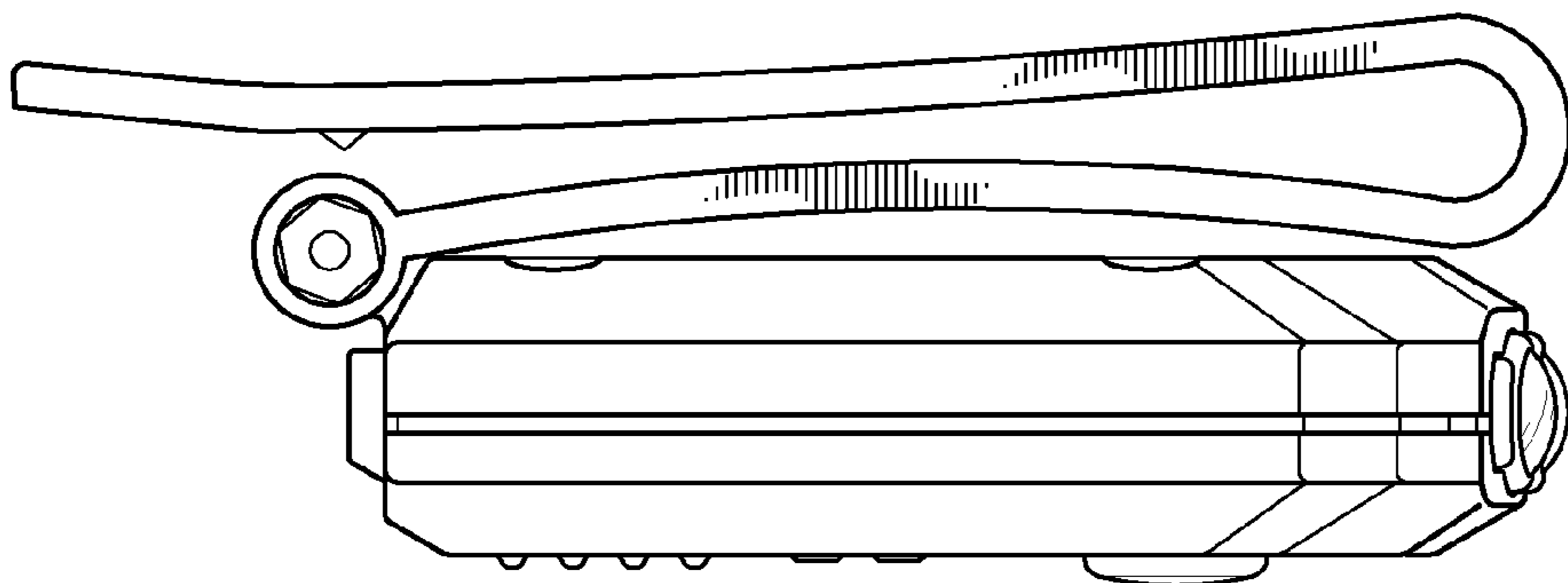


FIG. 4