



US00D579135S

(12) **United States Design Patent**  
**Shiu**

(10) **Patent No.:** **US D579,135 S**

(45) **Date of Patent:** **\*\* Oct. 21, 2008**

(54) **FLASHLIGHT**

(75) **Inventor:** **Stephanie Wai Man Shiu, Kowloon (HK)**

(73) **Assignee:** **Gold Coral International Limited, San Po Kong, Kowloon (HK)**

(\*\*) **Term:** **14 Years**

(21) **Appl. No.:** **29/306,699**

(22) **Filed:** **Apr. 14, 2008**

(30) **Foreign Application Priority Data**

Oct. 17, 2007 (HK) ..... 0702680

(51) **LOC (8) Cl.** ..... **26-02**

(52) **U.S. Cl.** ..... **D26/49**

(58) **Field of Classification Search** ..... D26/37-50;  
362/157, 158, 171-174, 183-208  
See application file for complete search history.

(56) **References Cited**

**U.S. PATENT DOCUMENTS**

D502,277 S \* 2/2005 Chen ..... D26/49

D549,376 S \* 8/2007 Shiu ..... D26/49  
D566,309 S \* 4/2008 Kornfeld et al. .... D26/37  
D566,314 S \* 4/2008 Jen ..... D26/49  
D570,511 S \* 6/2008 Shiu ..... D26/49

\* cited by examiner

*Primary Examiner*—Marcus A. Jackson

(74) *Attorney, Agent, or Firm*—Joseph G. Swan, PC

(57) **CLAIM**

The ornamental design for a flashlight, as shown and described.

**DESCRIPTION**

FIG. 1 is a left side elevational view of a flashlight according to the present invention.

FIG. 2 is a top plan view of the flashlight.

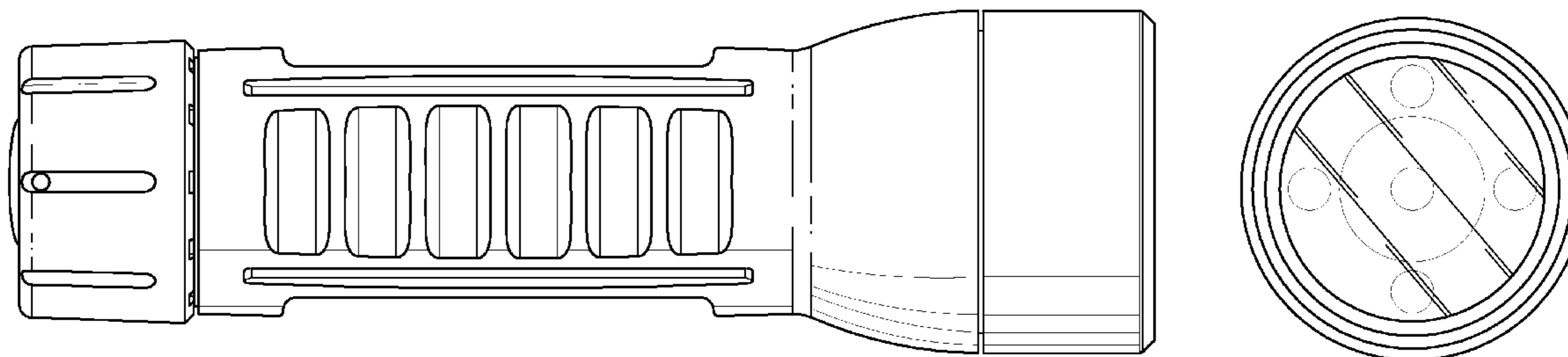
FIG. 3 is a right side elevational view of the flashlight.

FIG. 4 is a bottom plan view of the flashlight.

FIG. 5 is a rear elevational view of the flashlight; and,

FIG. 6 is a front elevational view of the flashlight.

**1 Claim, 3 Drawing Sheets**



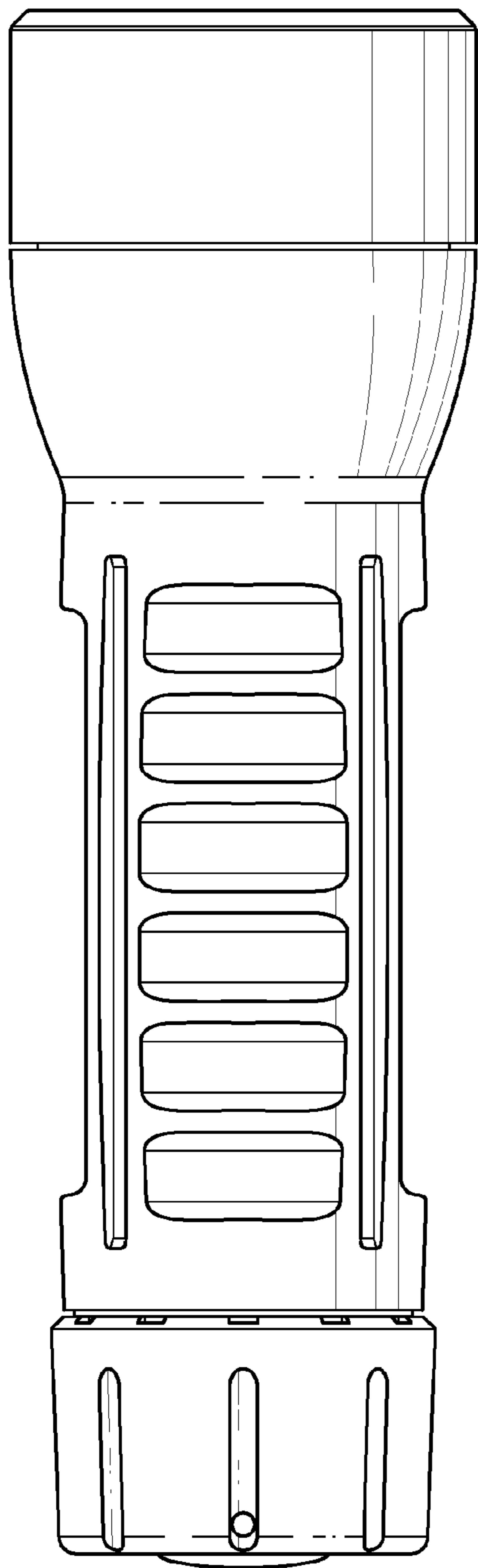


FIG. 1

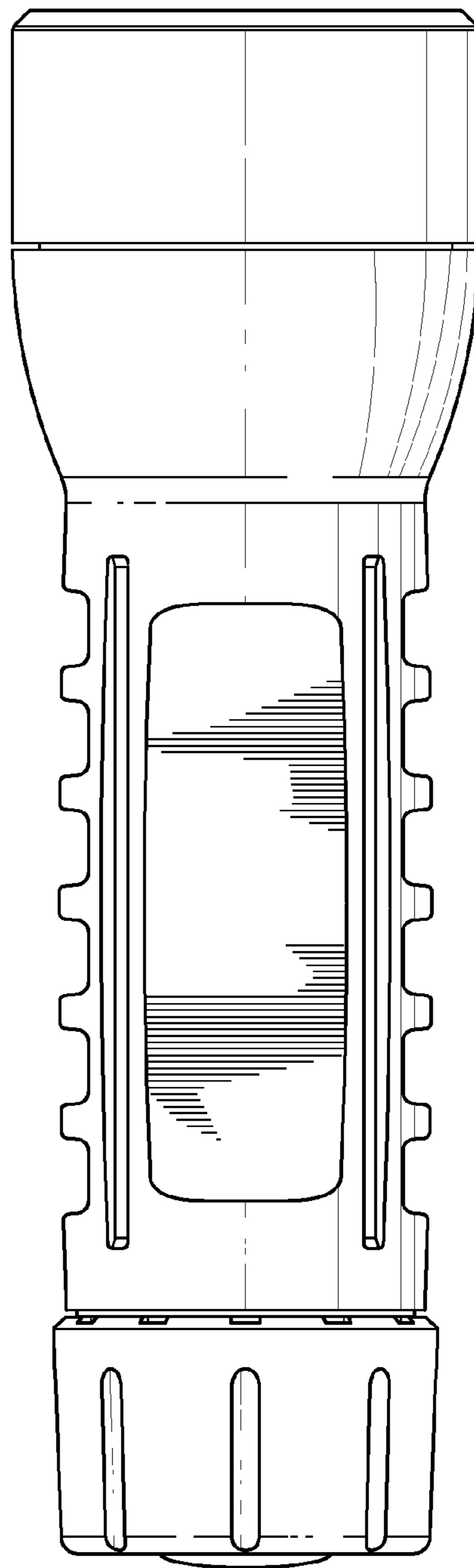


FIG. 2

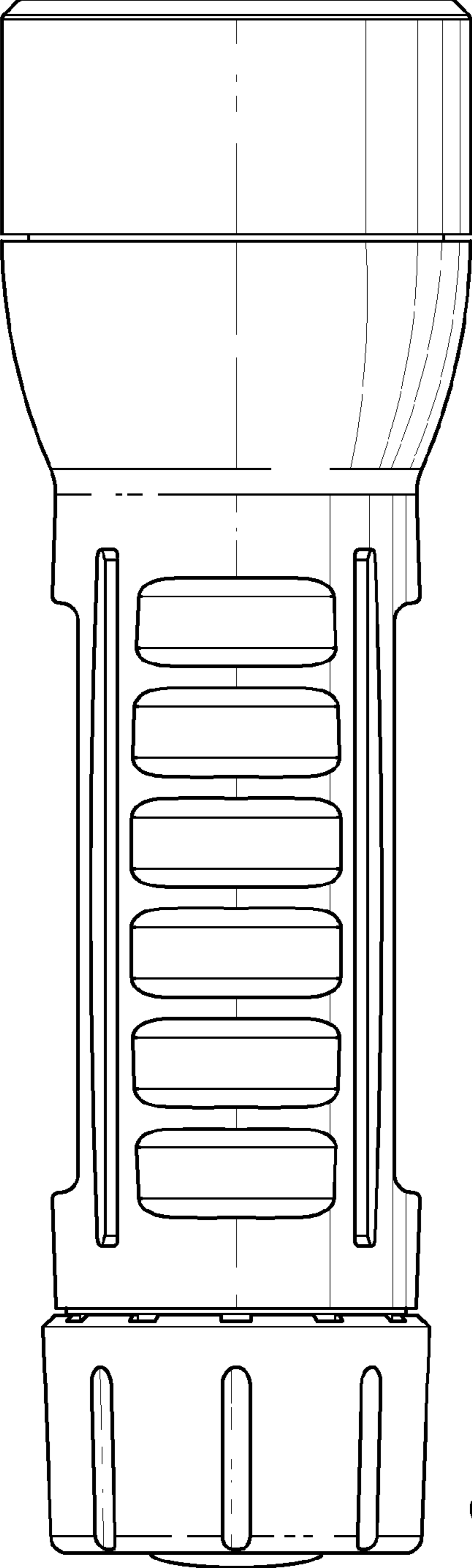


FIG. 3

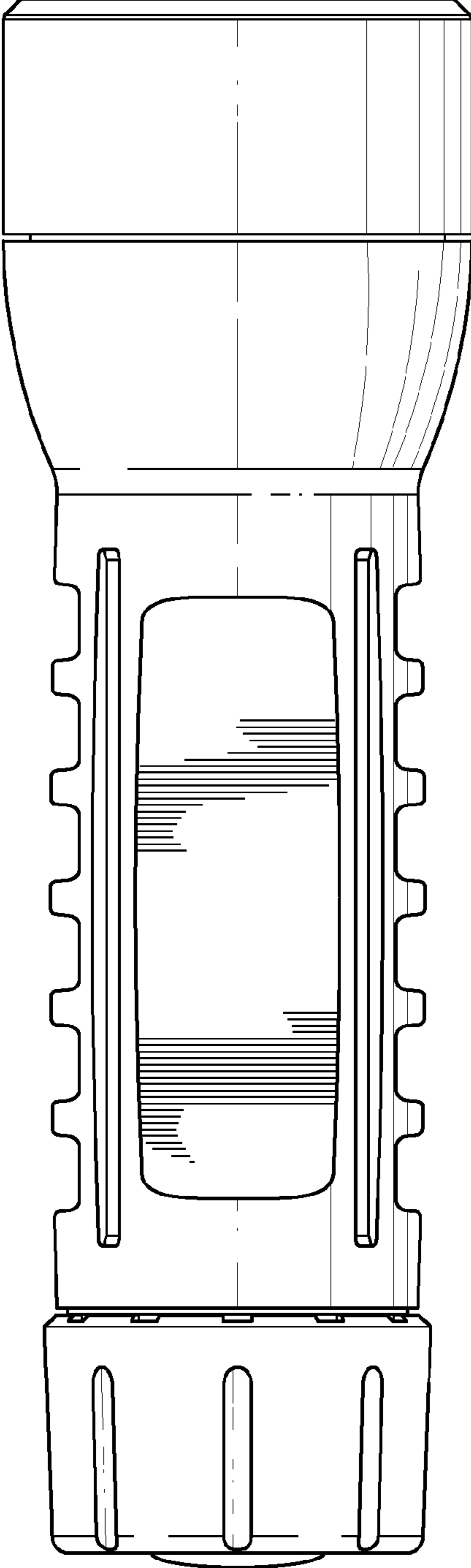
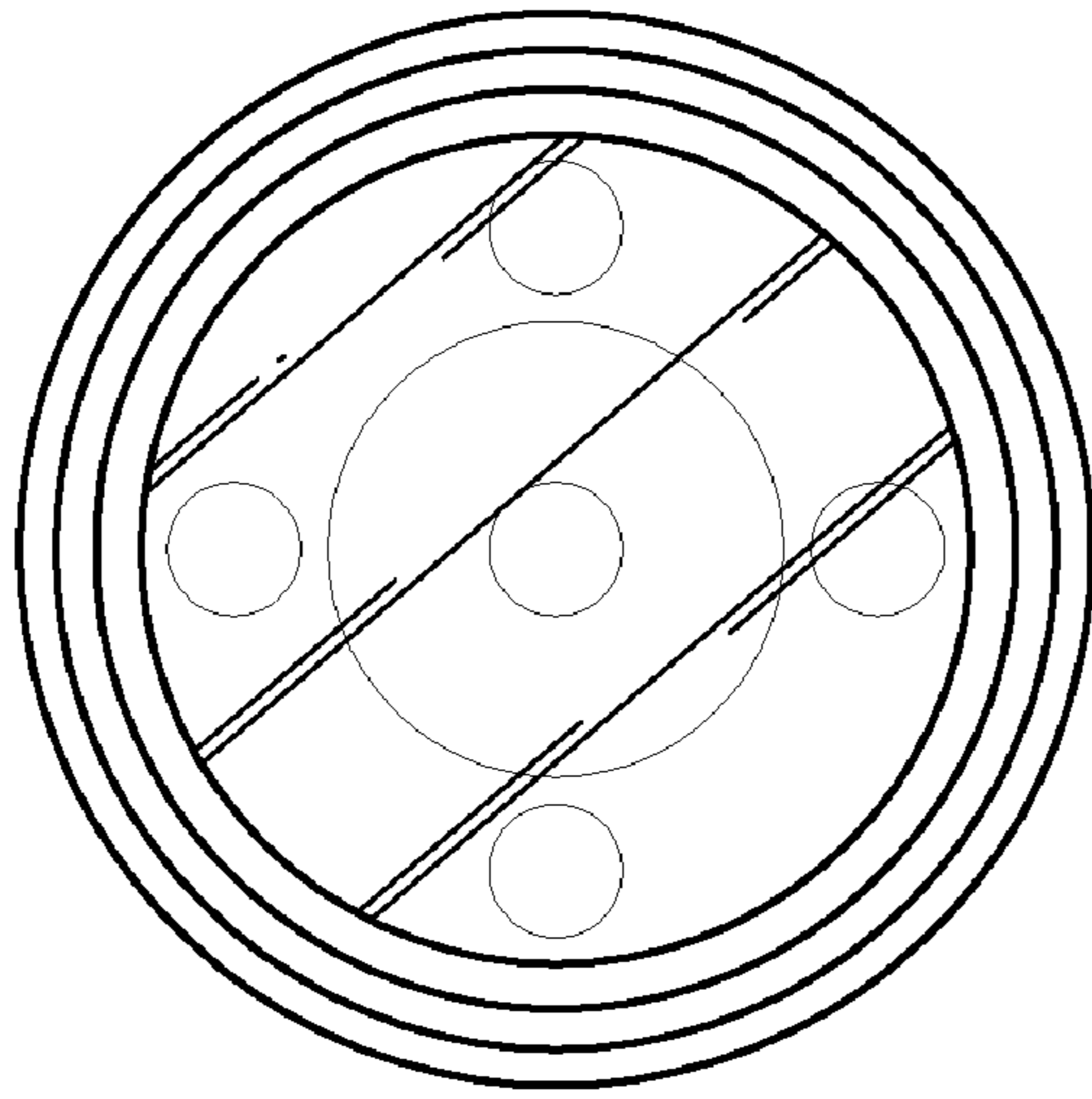
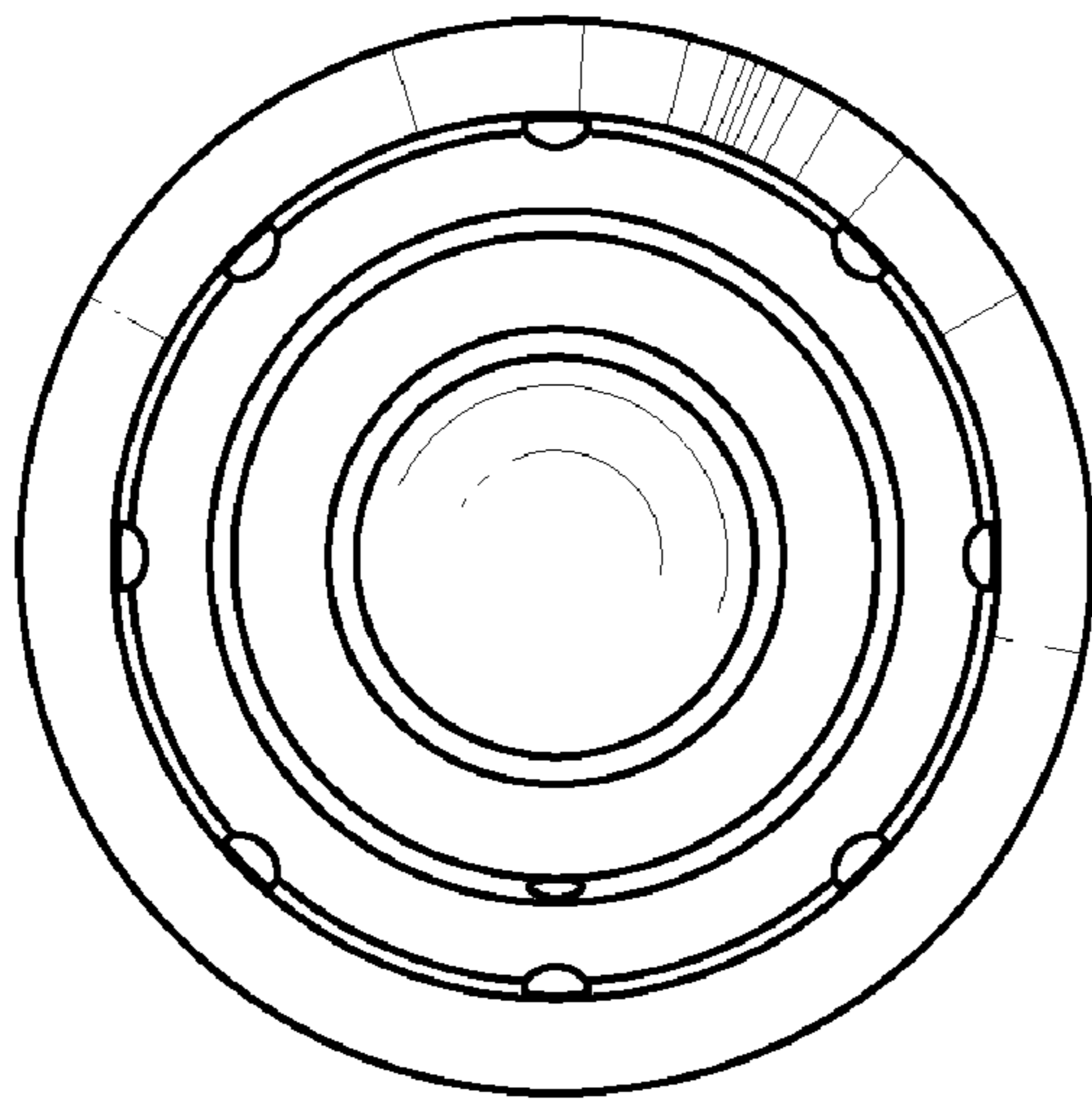


FIG. 4



*FIG. 6*



*FIG. 5*