



US00D579133S

(12) **United States Design Patent**
Shiu

(10) **Patent No.:** **US D579,133 S**

(45) **Date of Patent:** **** Oct. 21, 2008**

(54) **PORTABLE LIGHT SOURCE**

(75) **Inventor:** **Stephanie Wai Man Shiu**, Kowloon (HK)

(73) **Assignee:** **Gold Coral International Limited**, San Po Kong, Kowloon (HK)

(**) **Term:** **14 Years**

(21) **Appl. No.:** **29/306,698**

(22) **Filed:** **Apr. 14, 2008**

(30) **Foreign Application Priority Data**

Oct. 17, 2007 (HK) 0702680

(51) **LOC (8) Cl.** **26-02**

(52) **U.S. Cl.** **D26/39**

(58) **Field of Classification Search** D26/37-50;
362/157, 158, 171-174, 183-208

See application file for complete search history.

(56) **References Cited**

U.S. PATENT DOCUMENTS

D532,537 S * 11/2006 Shiu D26/39

D542,450 S * 5/2007 Shiu D26/60

D554,782 S * 11/2007 Shiu D26/39

D556,927 S * 12/2007 Shiu D26/39

D566,310 S * 4/2008 Alessio D26/39

D568,509 S * 5/2008 Shiu D26/39

* cited by examiner

Primary Examiner—Marcus A. Jackson

(74) *Attorney, Agent, or Firm*—Joseph G. Swan, PC

(57) **CLAIM**

The ornamental design for a portable light source, as shown and described.

DESCRIPTION

FIG. 1 is a front elevational view of a portable light source according to the present invention.

FIG. 2 is a rear elevational view of the portable light source.

FIG. 3 is a top plan view of the portable light source.

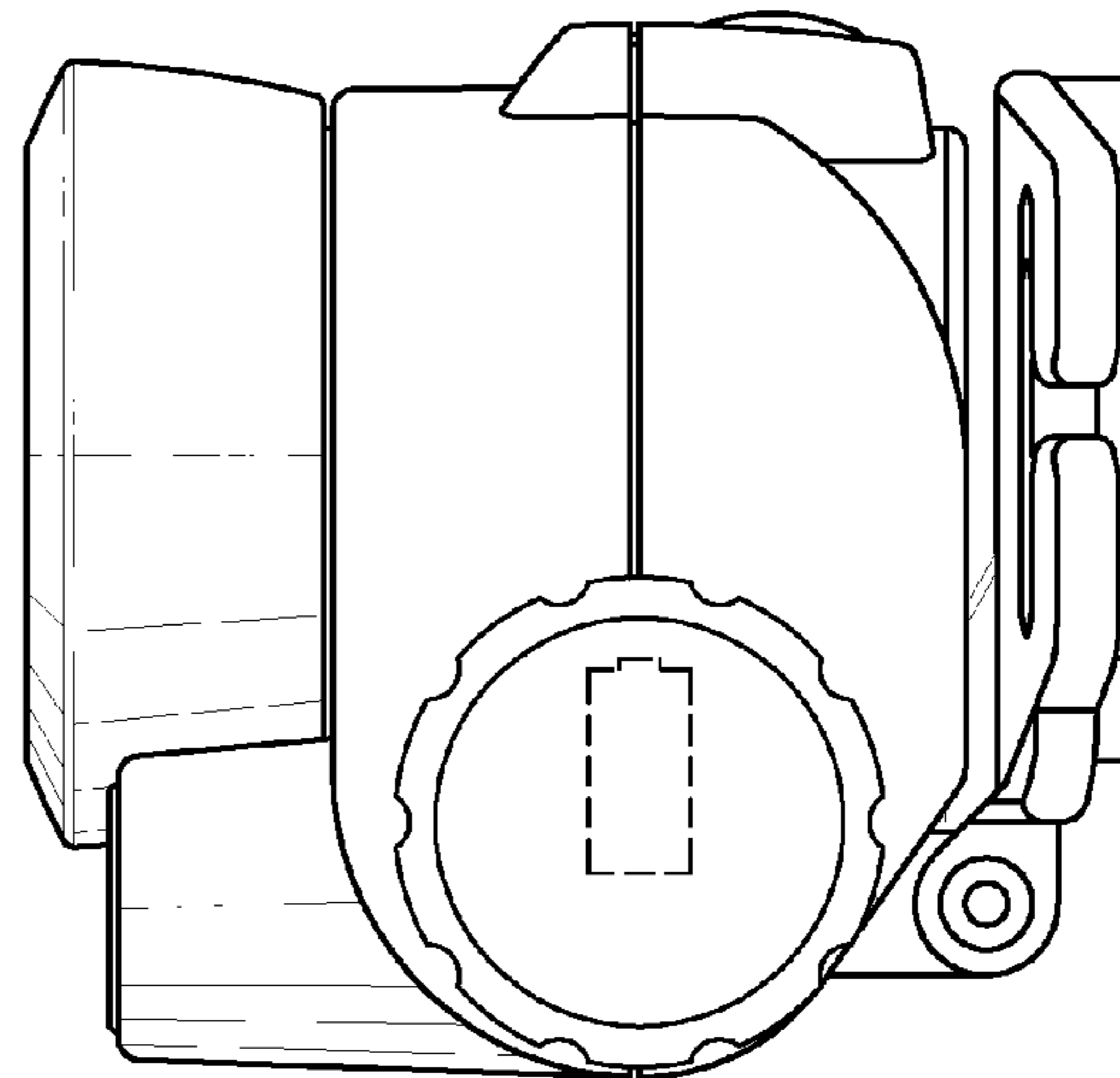
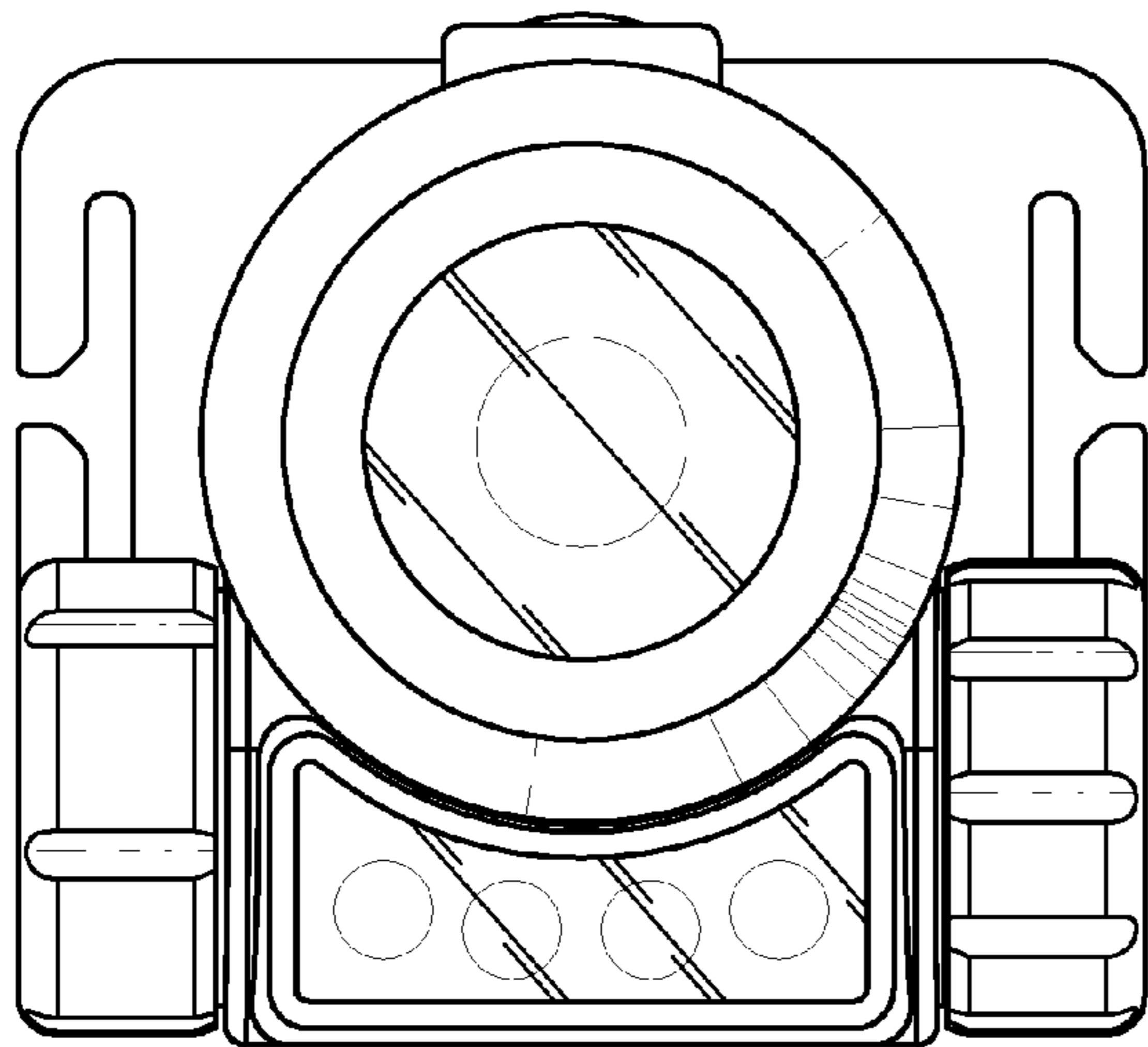
FIG. 4 is a bottom plan view of the portable light source.

FIG. 5 is a right side elevational view of the portable light source; and,

FIG. 6 is a left side elevational view of the portable light source.

The portions shown in broken lines are solely for the purpose of illustrating context and form no part of the claimed design.

1 Claim, 3 Drawing Sheets



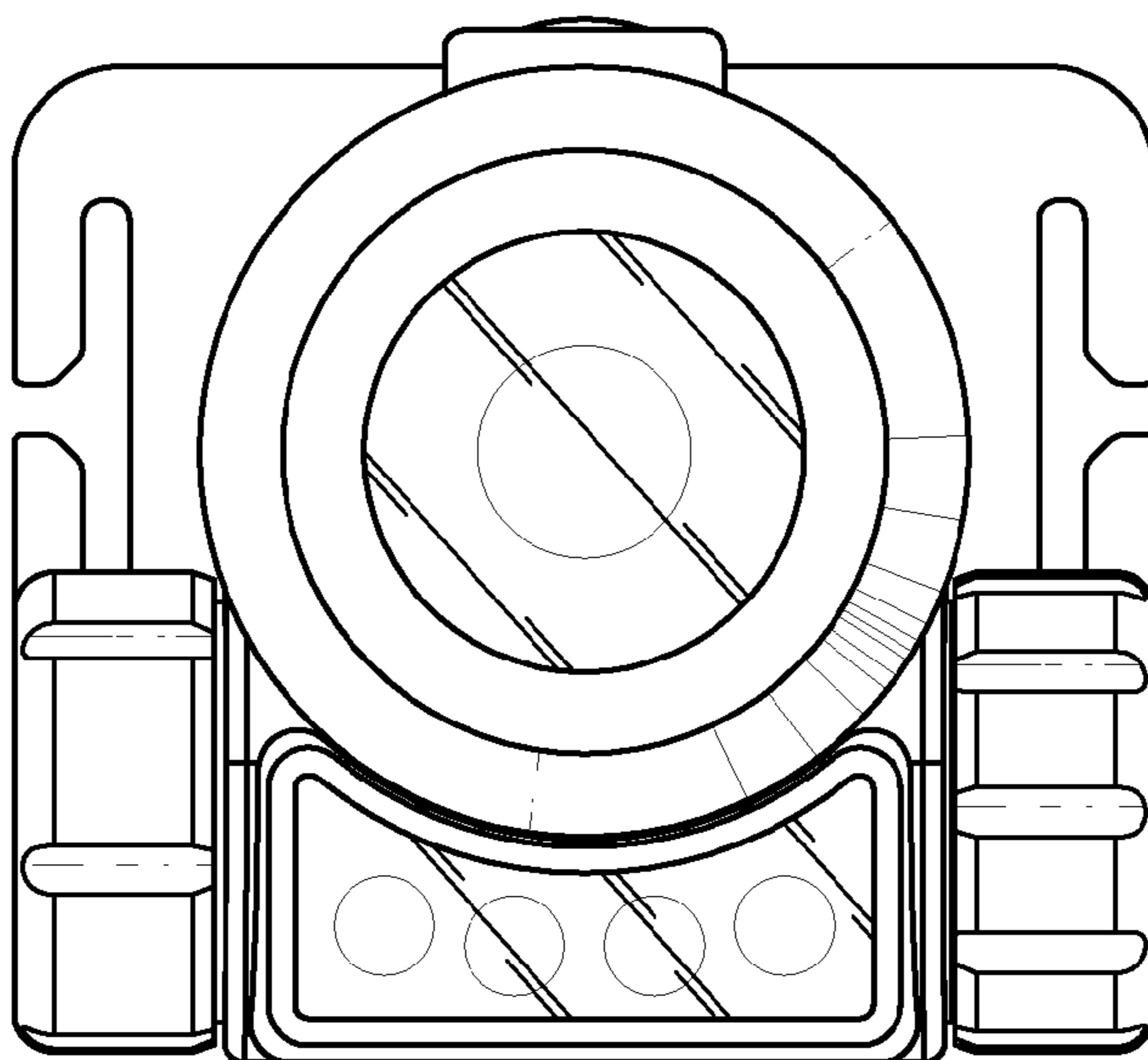


FIG. 1

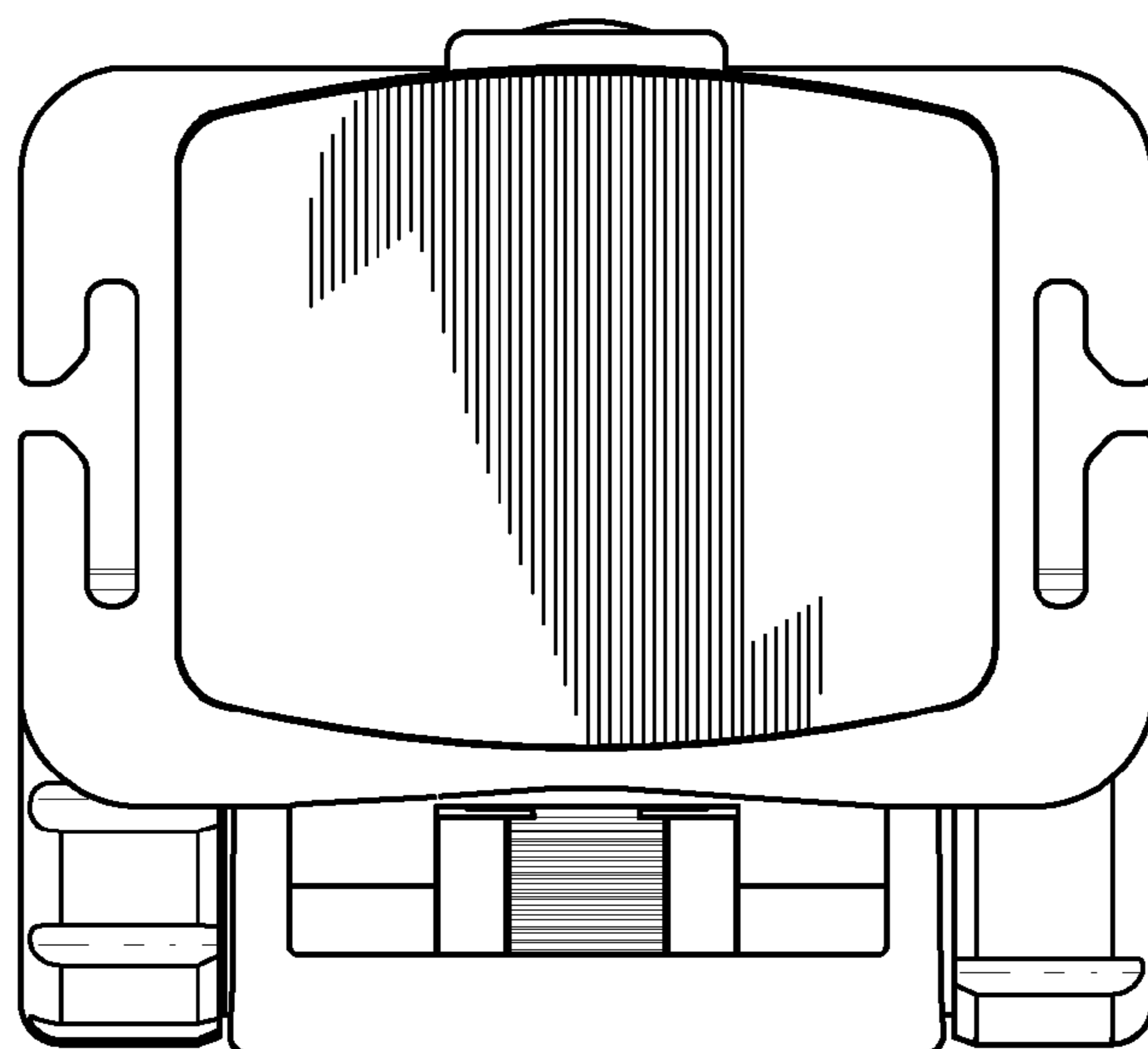


FIG. 2

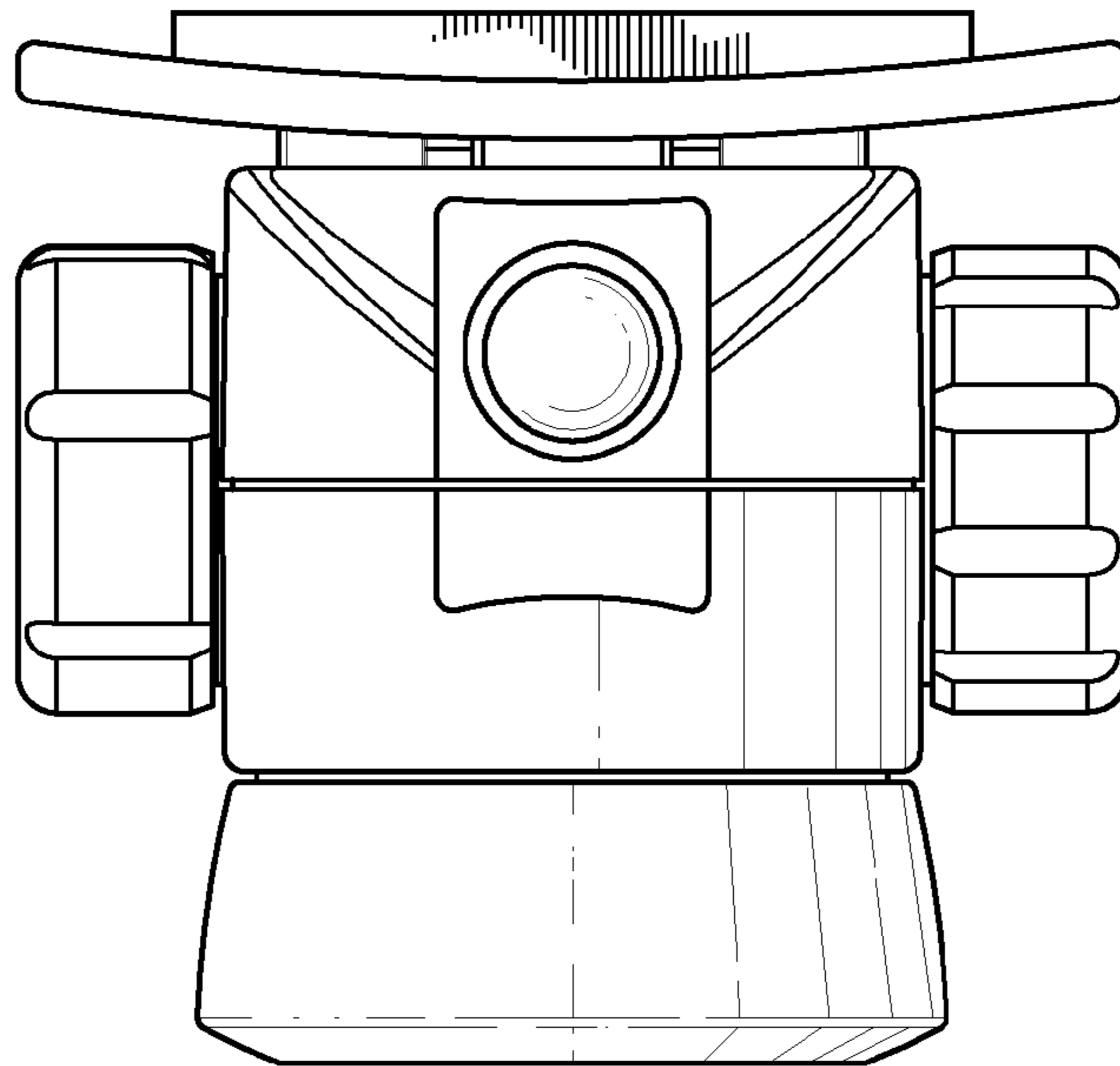


FIG. 3

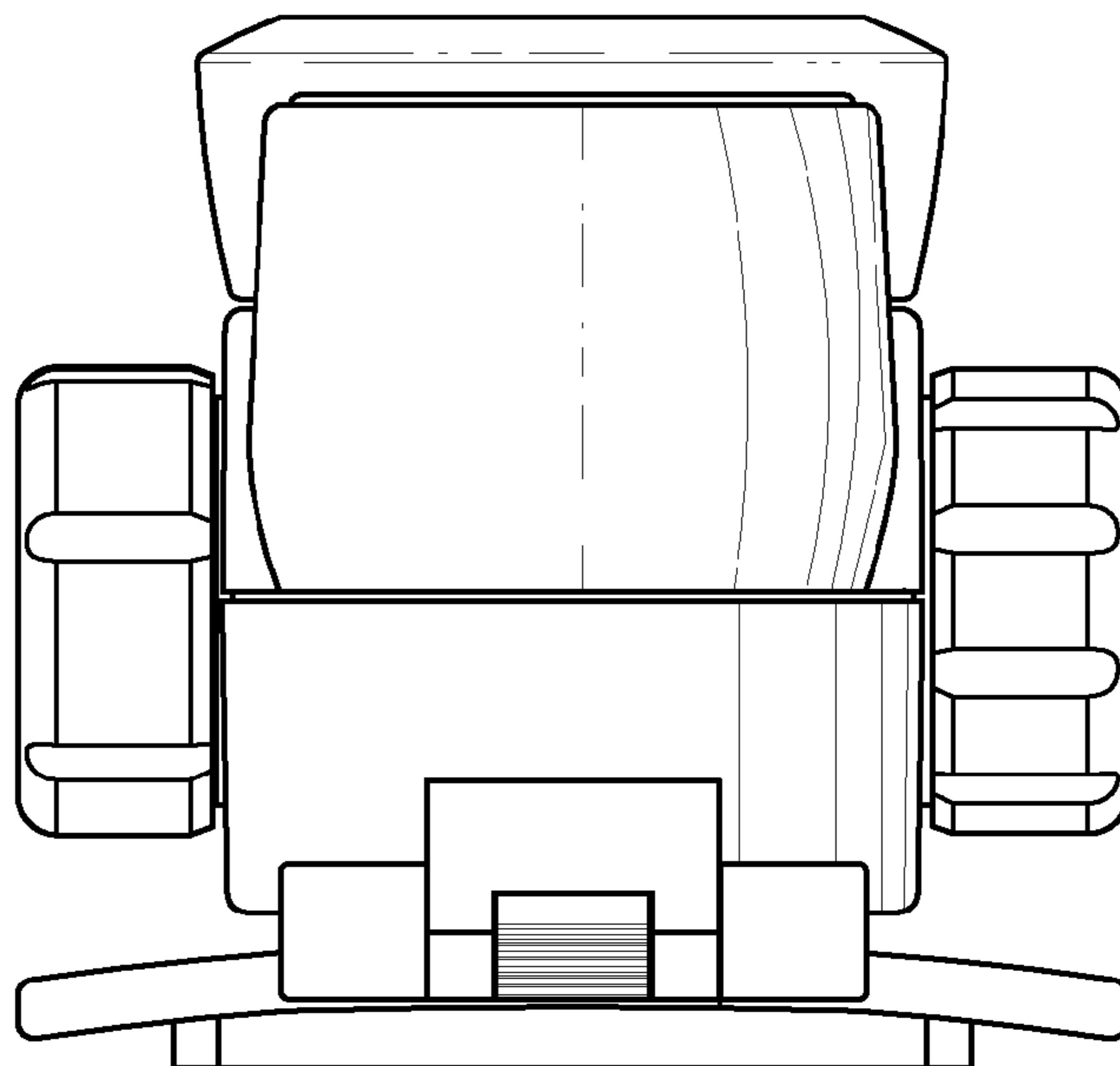


FIG. 4

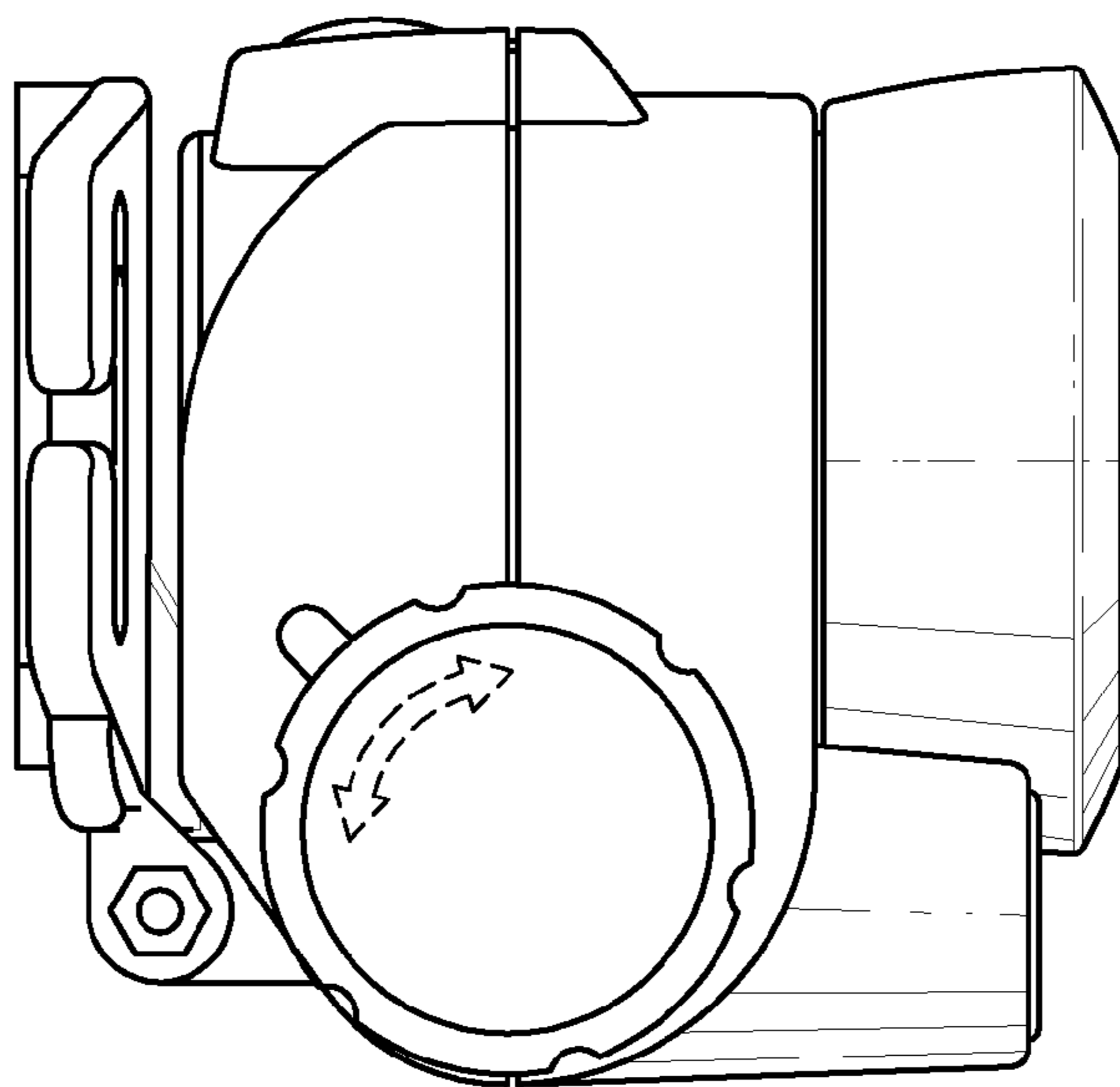


FIG. 5

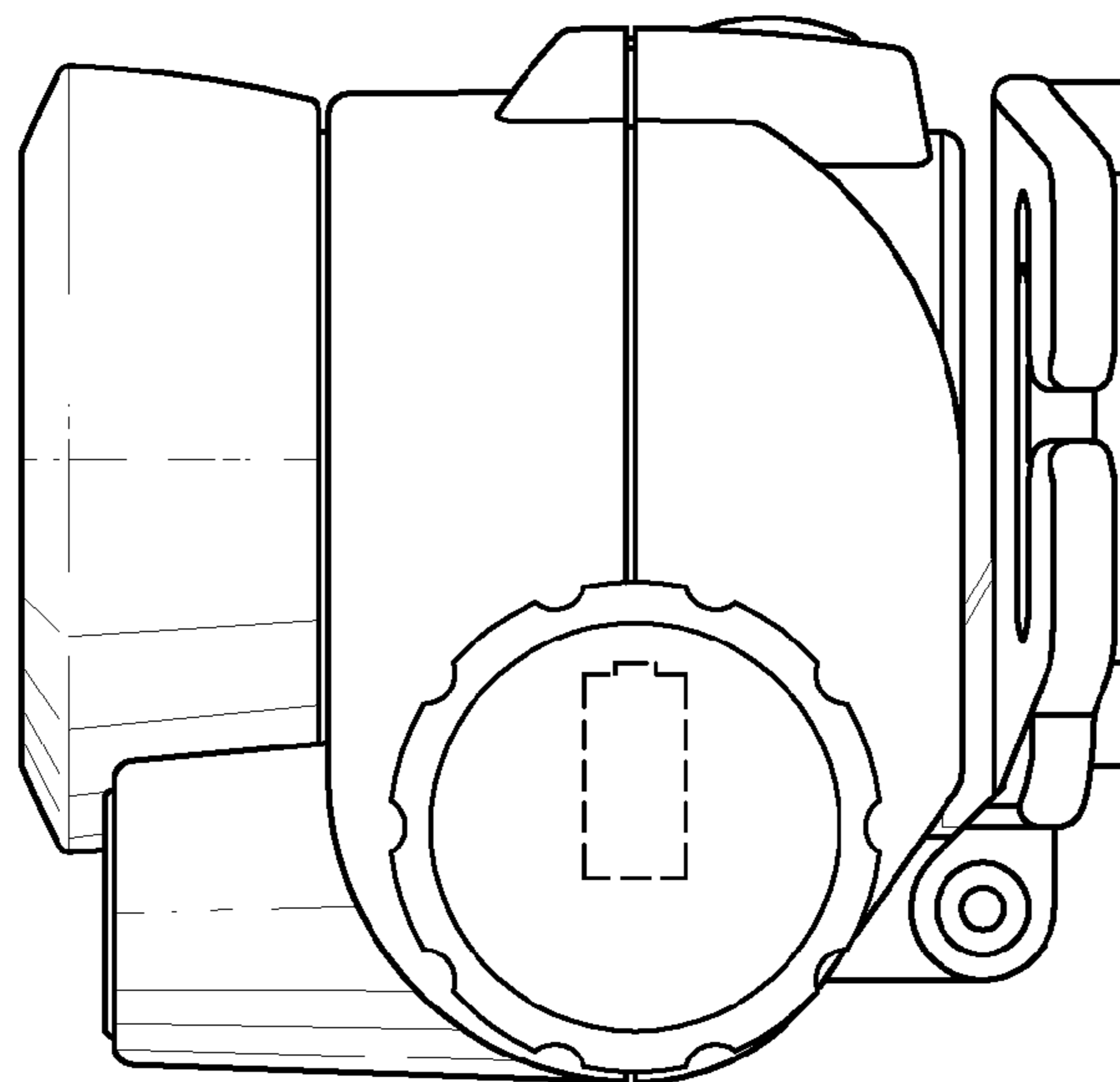


FIG. 6