



US00D579127S

(12) **United States Design Patent**
Cogan

(10) **Patent No.:** **US D579,127 S**
(45) **Date of Patent:** **** Oct. 21, 2008**

(54) **LOUVRE**

(75) Inventor: **Jack Cogan**, 85 Strauss Road, Thornhill, Ontario (CA) L4J B2B

(73) Assignee: **Jack Cogan**, Thornhill, Ontario (CA)

(**) Term: **14 Years**

(21) Appl. No.: **29/241,654**

(22) Filed: **Oct. 31, 2005**

(51) **LOC (8) Cl.** **25-01**

(52) **U.S. Cl.** **D25/153**

(58) **Field of Classification Search** D25/52-54, D25/156, 47, 57; D23/392; 160/223, 89, 160/104; 454/221, 224; 52/473, 311.1, 311.2, 52/311.3, 202-203, 302.1, 506.05, 73, 78; 49/62, 463

See application file for complete search history.

(56) **References Cited**

U.S. PATENT DOCUMENTS

| | | | | | |
|-----------|------|---------|-------------|-------|---------|
| 2,210,516 | A * | 8/1940 | Wheeler | | 52/473 |
| 2,492,909 | A * | 12/1949 | Warp | | 160/371 |
| D181,519 | S * | 11/1957 | Devereux | | D25/47 |
| 5,293,920 | A * | 3/1994 | Vagedes | | 160/89 |
| 6,378,262 | B1 * | 4/2002 | Mercadante | | 52/473 |
| 6,543,188 | B1 * | 4/2003 | Poma et al. | | D25/52 |

* cited by examiner

Primary Examiner—Catherine R Oliver

(74) *Attorney, Agent, or Firm*—Fasken Martineau Dumoulin LLP

(57) **CLAIM**

The ornamental design for a louvre, as shown and described.

DESCRIPTION

FIG. 1 is a front perspective view of a first embodiment of the louvre;

FIG. 2 is a top plan view of the louvre, with the bottom being a mirror image thereof;

FIG. 3 is a side elevational view, with the opposite side being a mirror image thereof;

FIG. 4 is an end view, the opposite end view being a mirror image thereof;

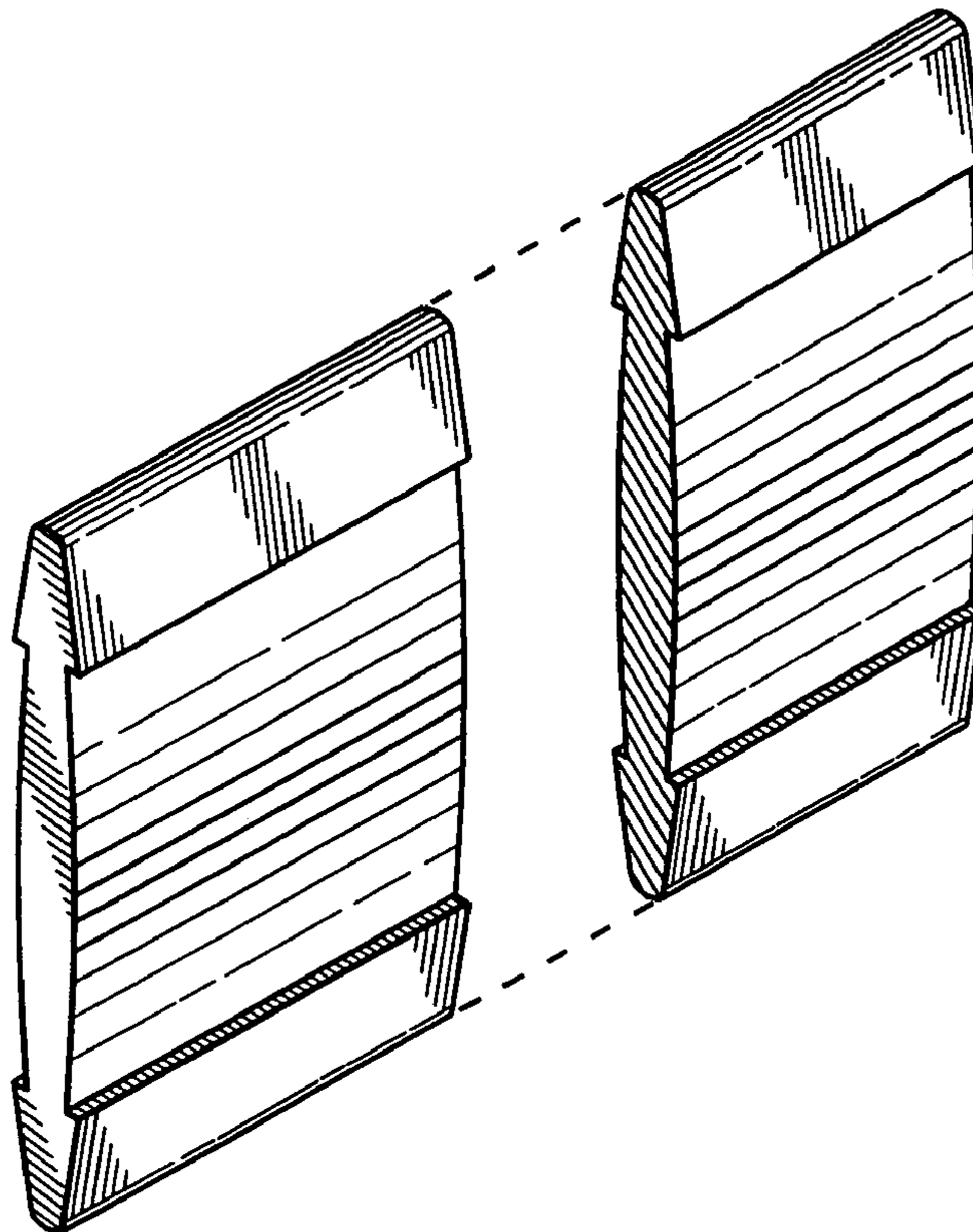
FIG. 5 is a front perspective view of the second embodiment;

FIG. 6 is a top plan view of the louvre, with the bottom being a mirror image thereof;

FIG. 7 is a side elevational view, with the opposite side being a mirror image thereof; and,

FIG. 8 is an end view, the opposite end view being a mirror image thereof.

1 Claim, 2 Drawing Sheets



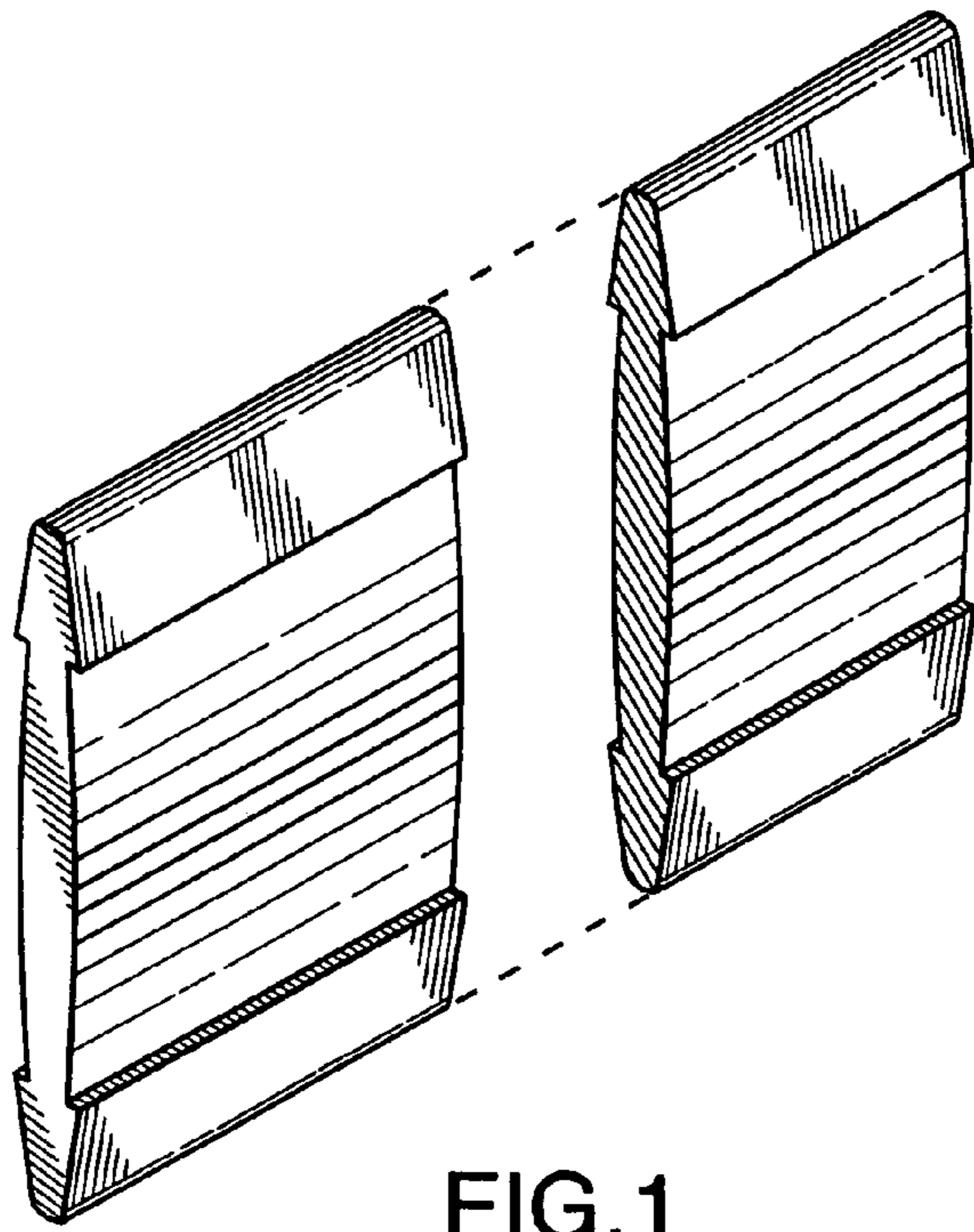


FIG. 1

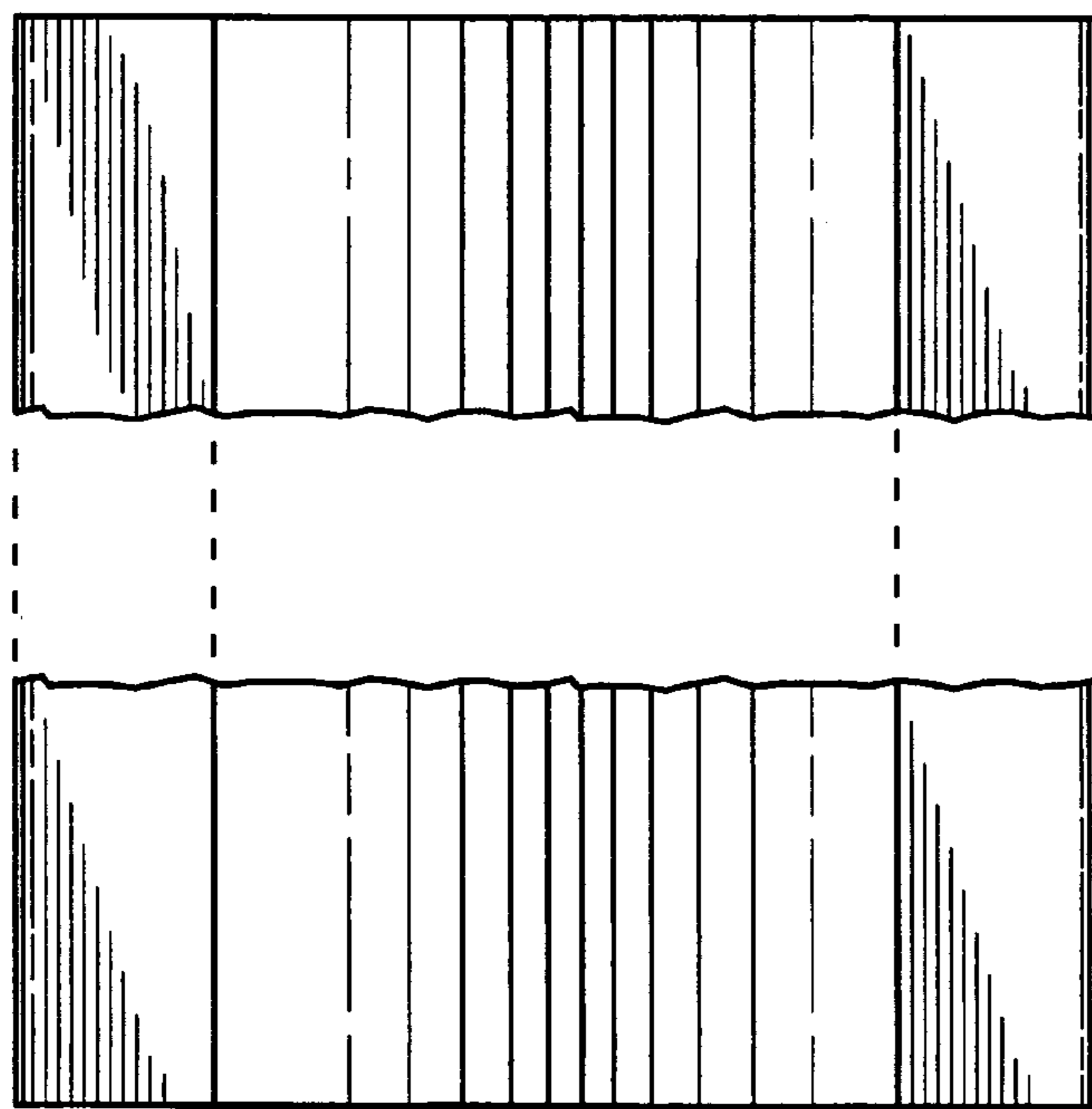


FIG. 2

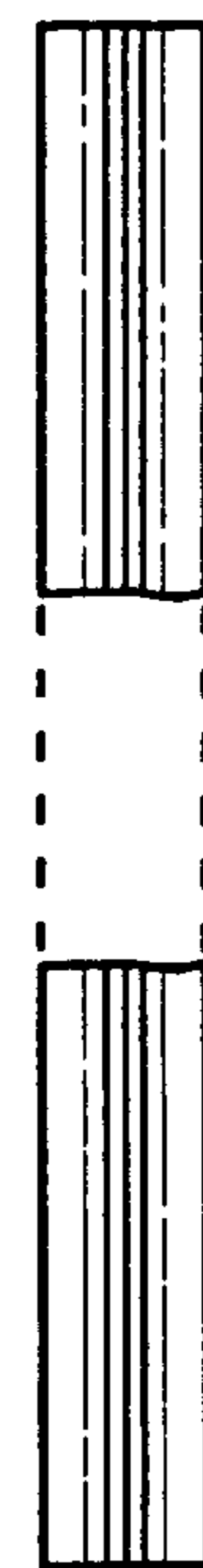


FIG. 3



FIG. 4

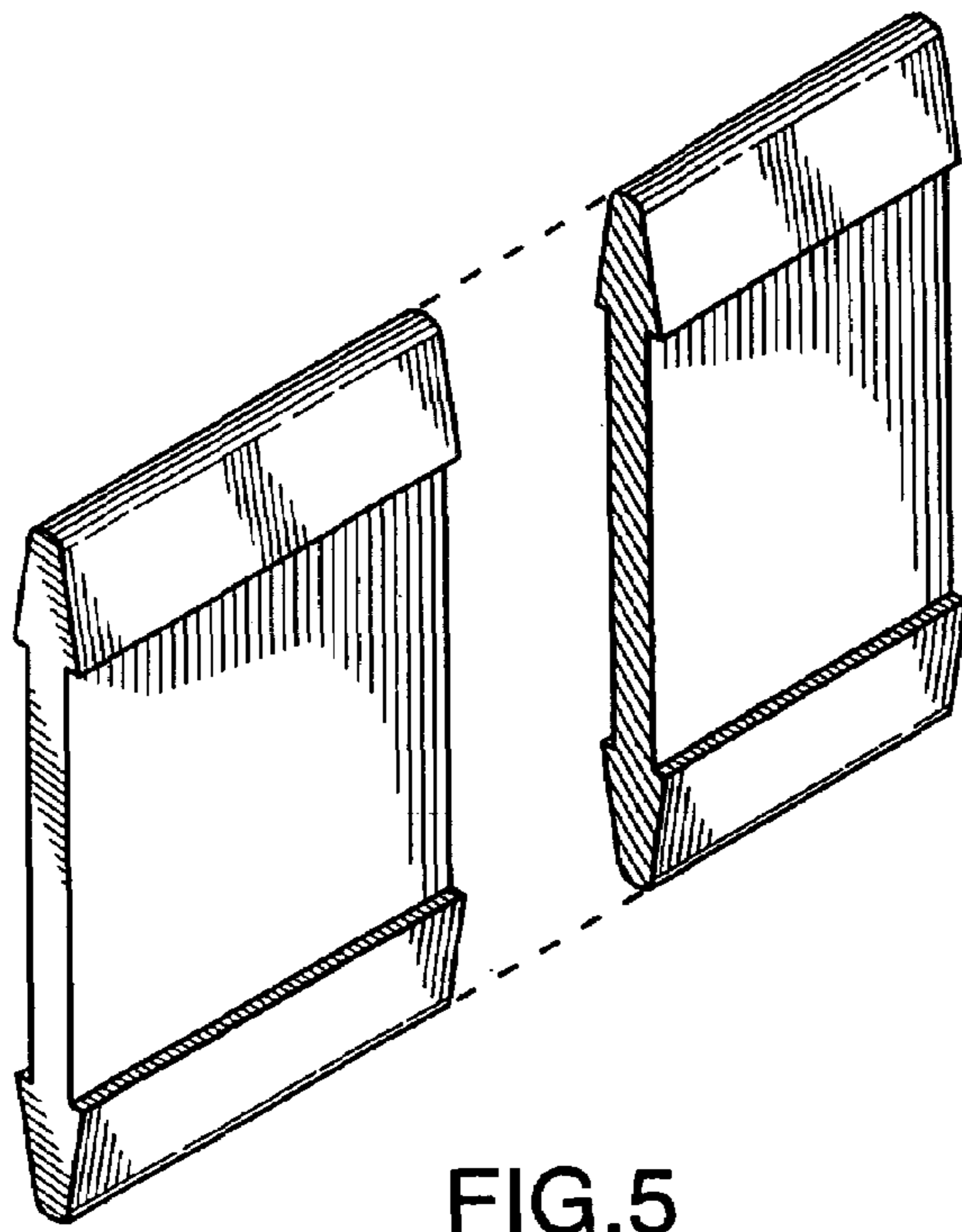


FIG. 5

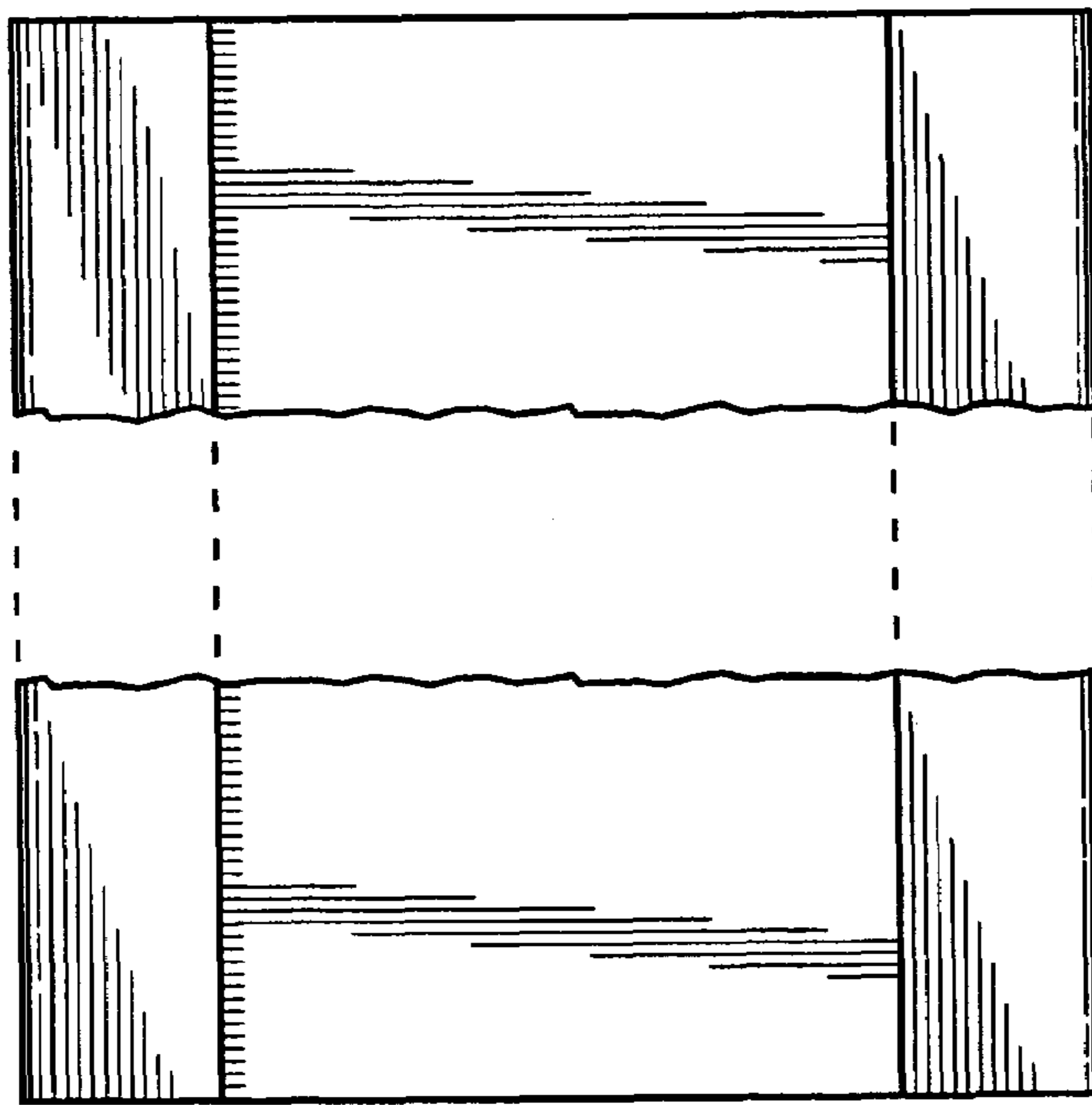


FIG. 6



FIG. 7



FIG. 8