



US00D579122S

(12) **United States Design Patent**
McIntosh

(10) **Patent No.:** **US D579,122 S**
(45) **Date of Patent:** **** Oct. 21, 2008**

(54) **LANDSCAPING BLOCK BASE**

(75) Inventor: **Robert Gordon McIntosh**, Abbotsford (CA)

(73) Assignee: **PACIFIC Fence-Crete Ltd.**, Aldergrove, BC (CA)

(**) Term: **14 Years**

(21) Appl. No.: **29/290,013**

(22) Filed: **Oct. 11, 2007**

(51) **LOC (8) Cl.** **25-01**

(52) **U.S. Cl.** **D25/113**

(58) **Field of Classification Search** D25/102,
D25/112-118, 119, 164, 199; 405/16, 284,
405/286; 52/102, 574, 596-612

See application file for complete search history.

(56) **References Cited**

U.S. PATENT DOCUMENTS

D213,618 S *	3/1969	Pickering	D25/113
D249,976 S *	10/1978	Gronert	D21/491
D283,551 S *	4/1986	Repasky	D25/113
D299,069 S *	12/1988	Risi et al.	D25/157
4,815,897 A	3/1989	Risi et al.	
D331,469 S *	12/1992	McMarlin	D25/119
D340,293 S *	10/1993	Risi et al.	D25/113
D362,311 S	9/1995	Cataldo	
D424,714 S *	5/2000	Hale	D25/164
D484,620 S *	12/2003	He	D25/199
D516,228 S *	2/2006	Dunbar	D25/113

OTHER PUBLICATIONS

“Monumental Block” Walls & Step pp. 44-49.
“Landscape Walls”, Allan Block, 2006, 44 pages.

“Installation Manual”, Rockwood Retaining Wall 2004, 32 pages.
“CreteFoamer - Cellular Concrete Solves Problems”, Richway, 4 pages.
“Rocky Mountain Stoneworks Ltd.”, Rocky Mountain Stoneworks brochure, 8 pages.

* cited by examiner

Primary Examiner—Louis S Zarfaz
Assistant Examiner—Anhdao Doan

(57) **CLAIM**

The ornamental design for landscaping block base, as shown and described.

DESCRIPTION

FIG. 1 is a pictorial view of a landscaping block base according to my new design;

FIG. 2 is a front elevation of the landscaping block base of FIG. 1;

FIG. 3 is a top view of the LANDSCAPING BLOCK BASE of FIG. 1;

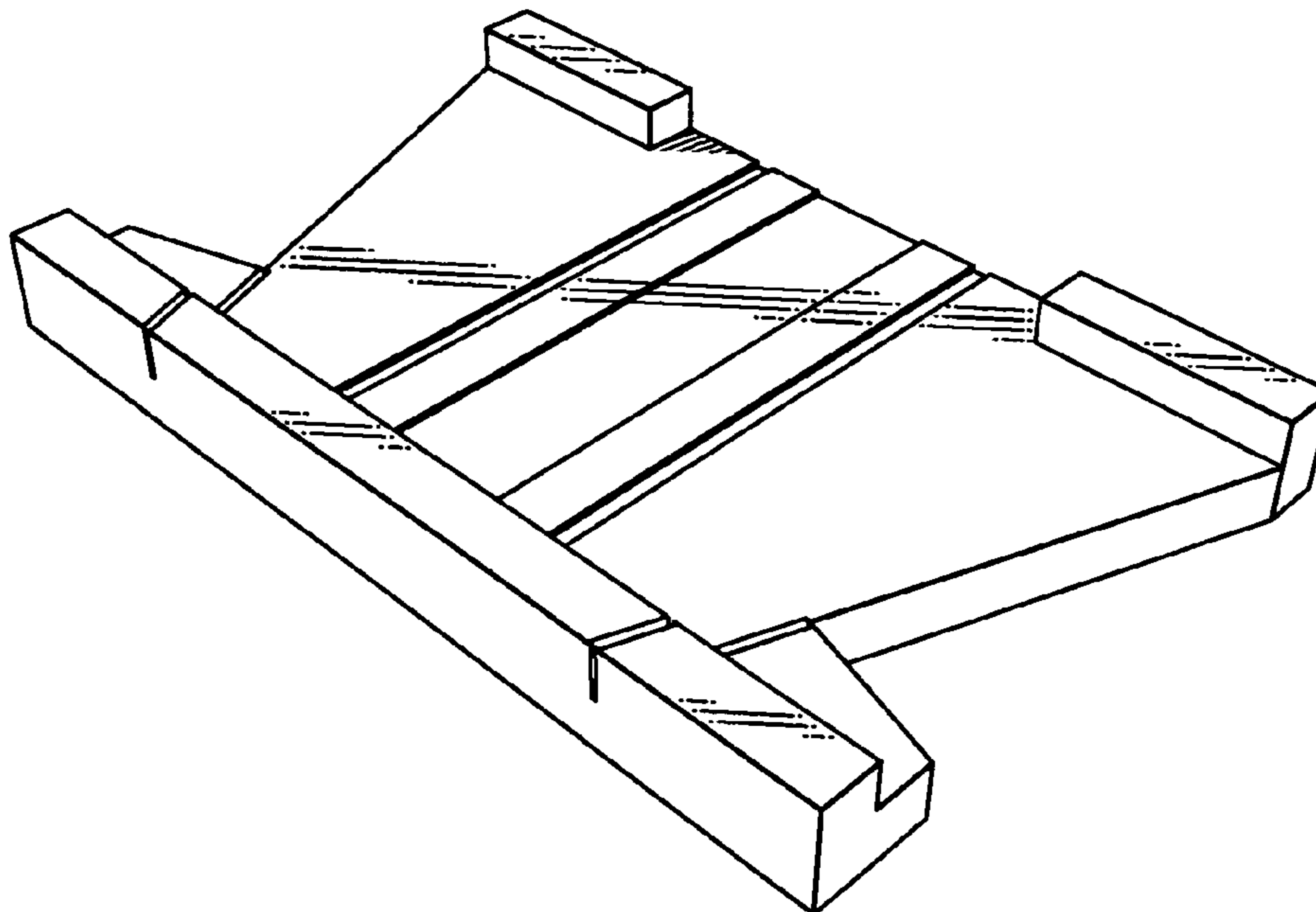
FIG. 4 is a left side elevation of the landscaping block base of FIG. 1;

FIG. 5 is a right side elevation of the landscaping block base of FIG. 1;

FIG. 6 is a rear elevation of the landscaping block base of FIG. 1; and,

FIG. 7 is a bottom view of the landscaping block base of FIG. 1.

1 Claim, 3 Drawing Sheets



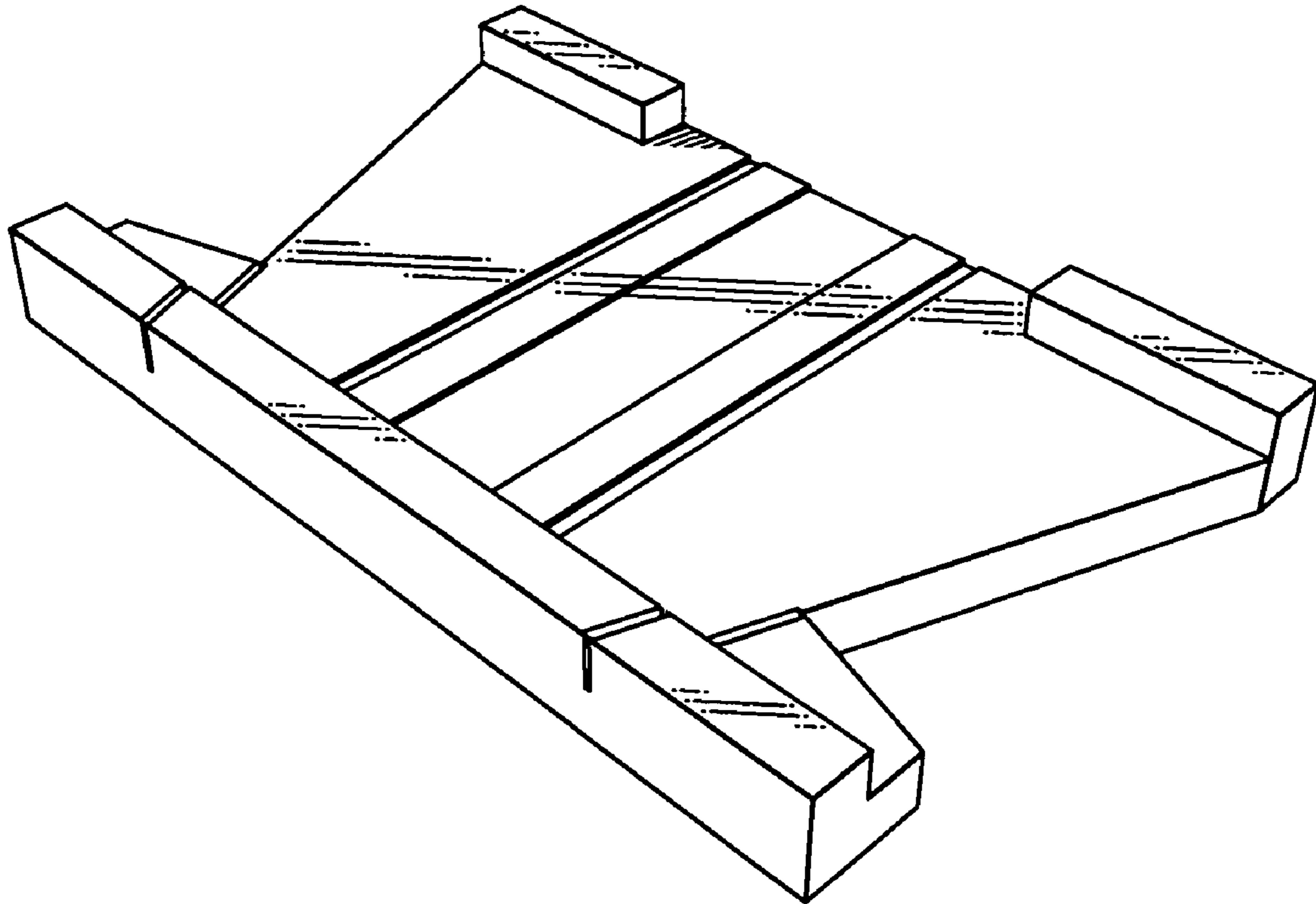


FIG. 1



FIG. 2

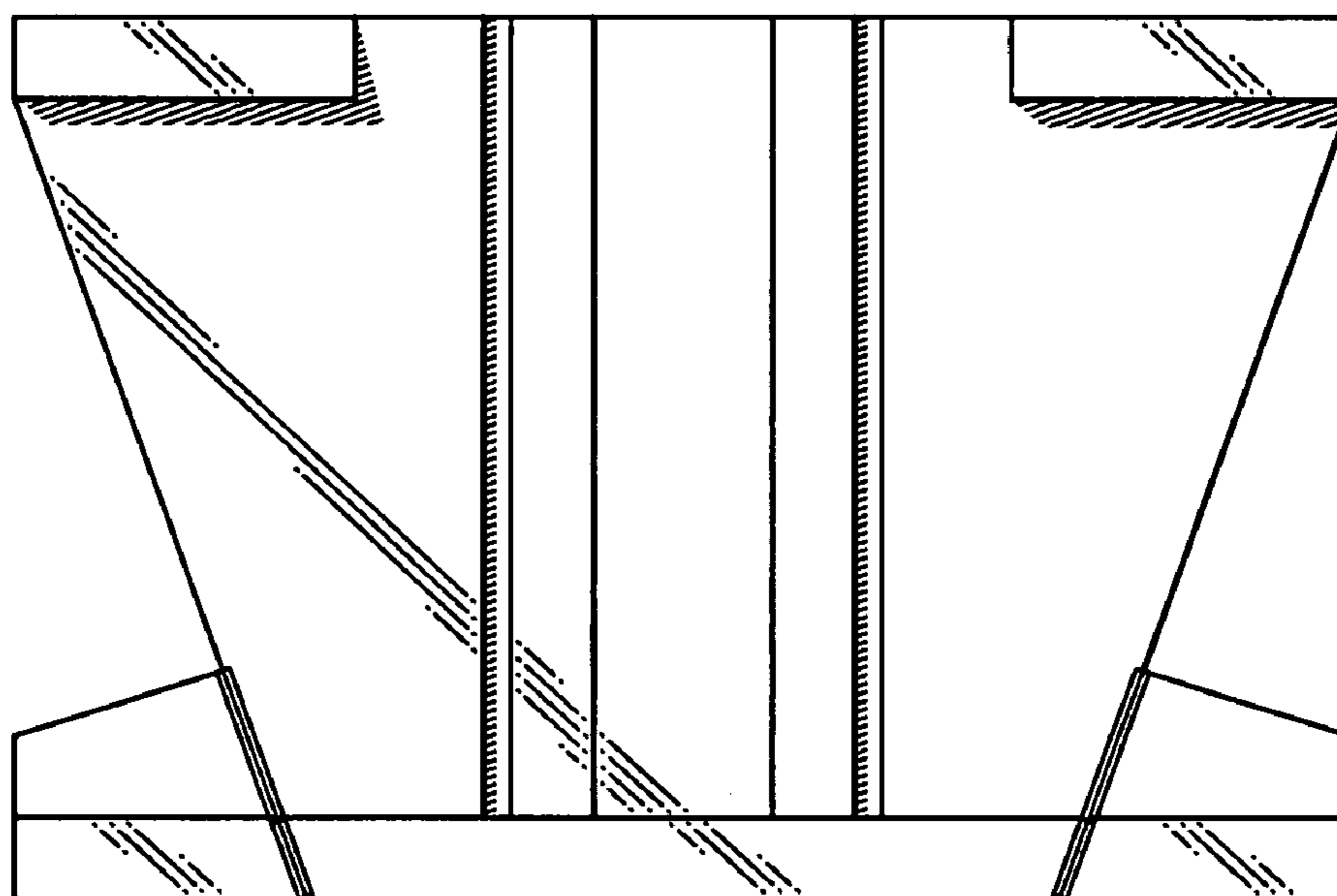


FIG. 3

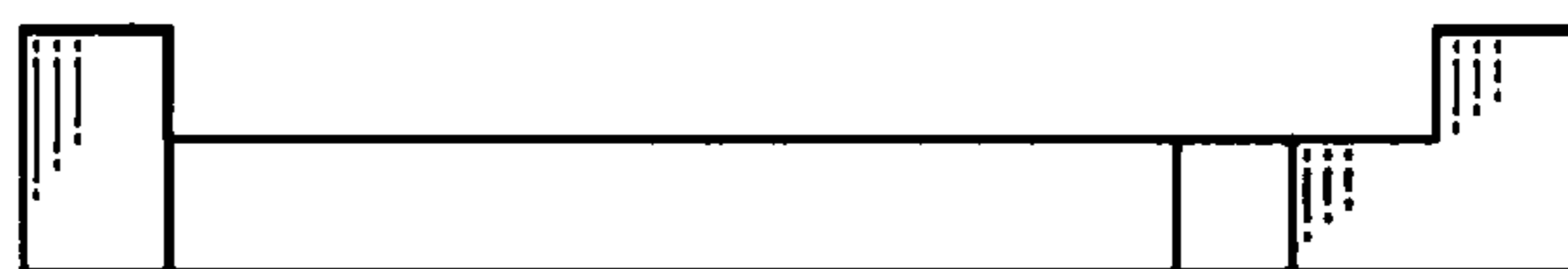


FIG. 4

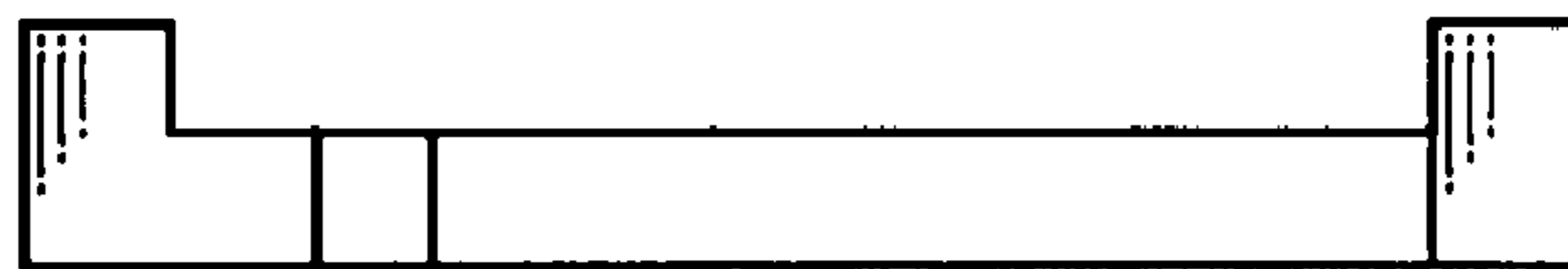


FIG. 5

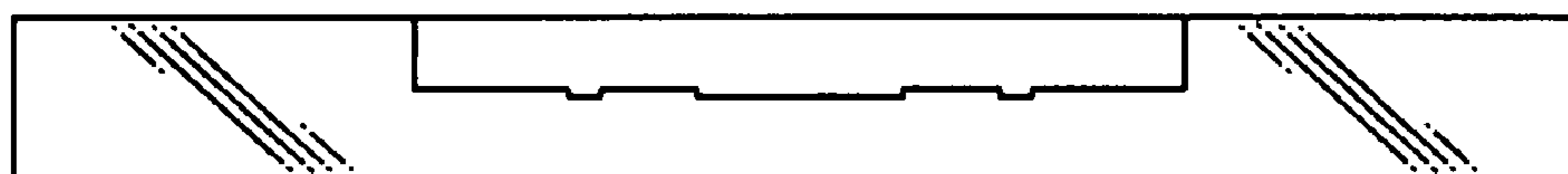


FIG. 6

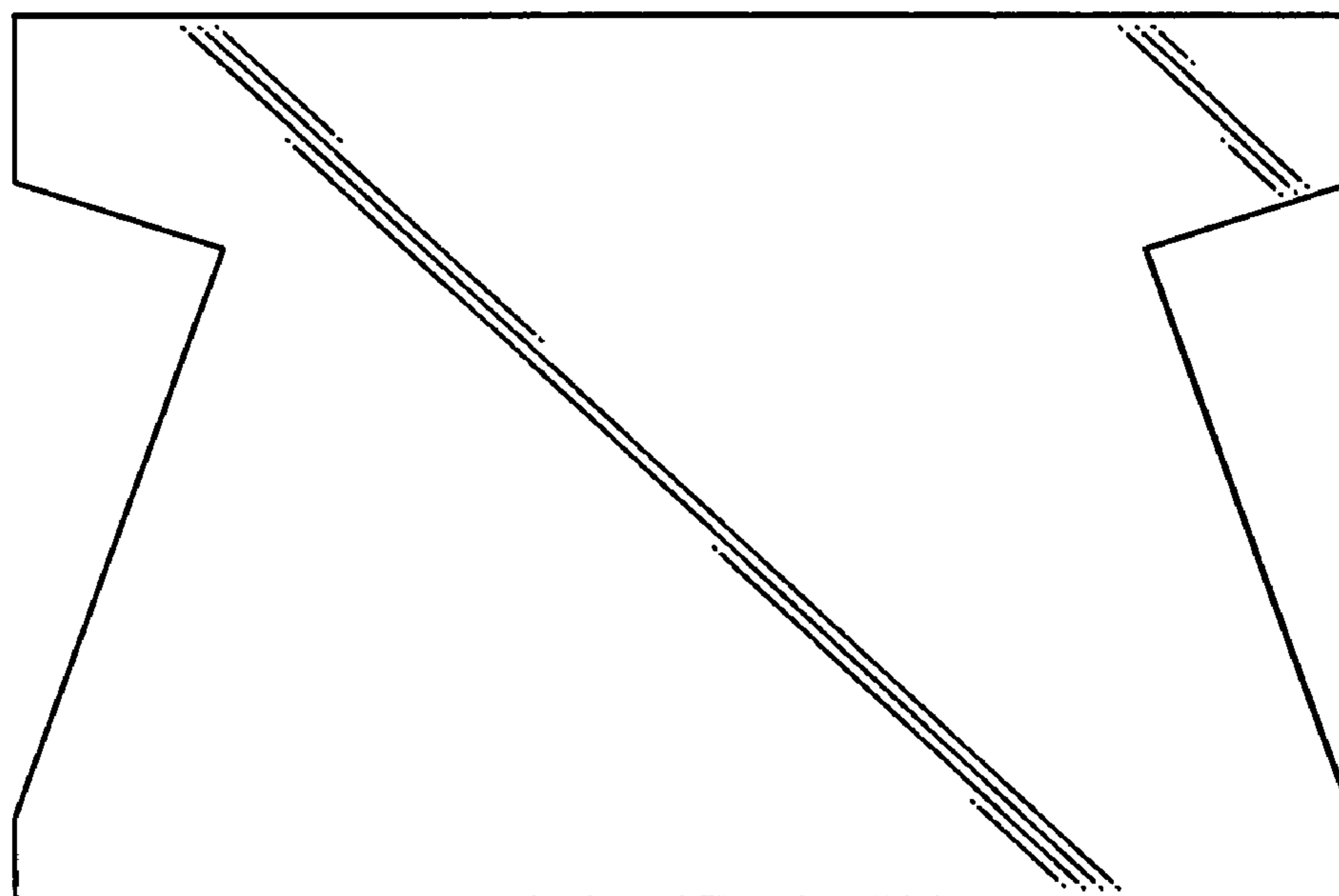


FIG. 7