



US00D579116S

(12) **United States Design Patent**
Ganapathy et al.

(10) **Patent No.:** **US D579,116 S**

(45) **Date of Patent:** **** Oct. 21, 2008**

- (54) **FOOT CUFF WITH TAPERED, BLUNT END**
- (75) Inventors: **Premnarayan Ganapathy**, Brookline, MA (US); **Steven Nardi**, Taunton, MA (US); **Steven Cote**, Uxbridge, MA (US)
- (73) Assignee: **Tyco Healthcare Group LP**, Mansfield, MA (US)
- (**) Term: **14 Years**
- (21) Appl. No.: **29/282,737**
- (22) Filed: **Jul. 27, 2007**

5,000,164 A	3/1991	Cooper
5,007,411 A	4/1991	Dye
5,078,128 A	1/1992	Grim et al.
5,094,252 A	3/1992	Stumpf
5,218,954 A	6/1993	van Bemmelen
5,288,286 A	2/1994	Davis et al.
5,354,260 A	10/1994	Cook
5,396,896 A	3/1995	Tumey et al.
5,399,152 A	3/1995	Habermeyer et al.
5,400,529 A	3/1995	Bell et al.
5,407,418 A	4/1995	Szpur
5,407,421 A	4/1995	Goldsmith
5,425,742 A	6/1995	Joy

(Continued)

- (51) **LOC (8) Cl.** **24-01**
 - (52) **U.S. Cl.** **D24/192**
 - (58) **Field of Classification Search** D24/143,
D24/169, 188-192, 200, 206; D2/610; 602/10,
602/13, 23, 27, 60, 64, 65; 128/871, 878,
128/882, DIG. 20; 606/201-204; 601/122,
601/149-152; 428/71
- See application file for complete search history.

Primary Examiner—Robert M Spear
Assistant Examiner—Susan E Krakower
 (74) *Attorney, Agent, or Firm*—Edward S. Jarmolowicz

(57) **CLAIM**

The ornamental design for a foot cuff with a tapered, blunt end, as shown and described.

(56) **References Cited**

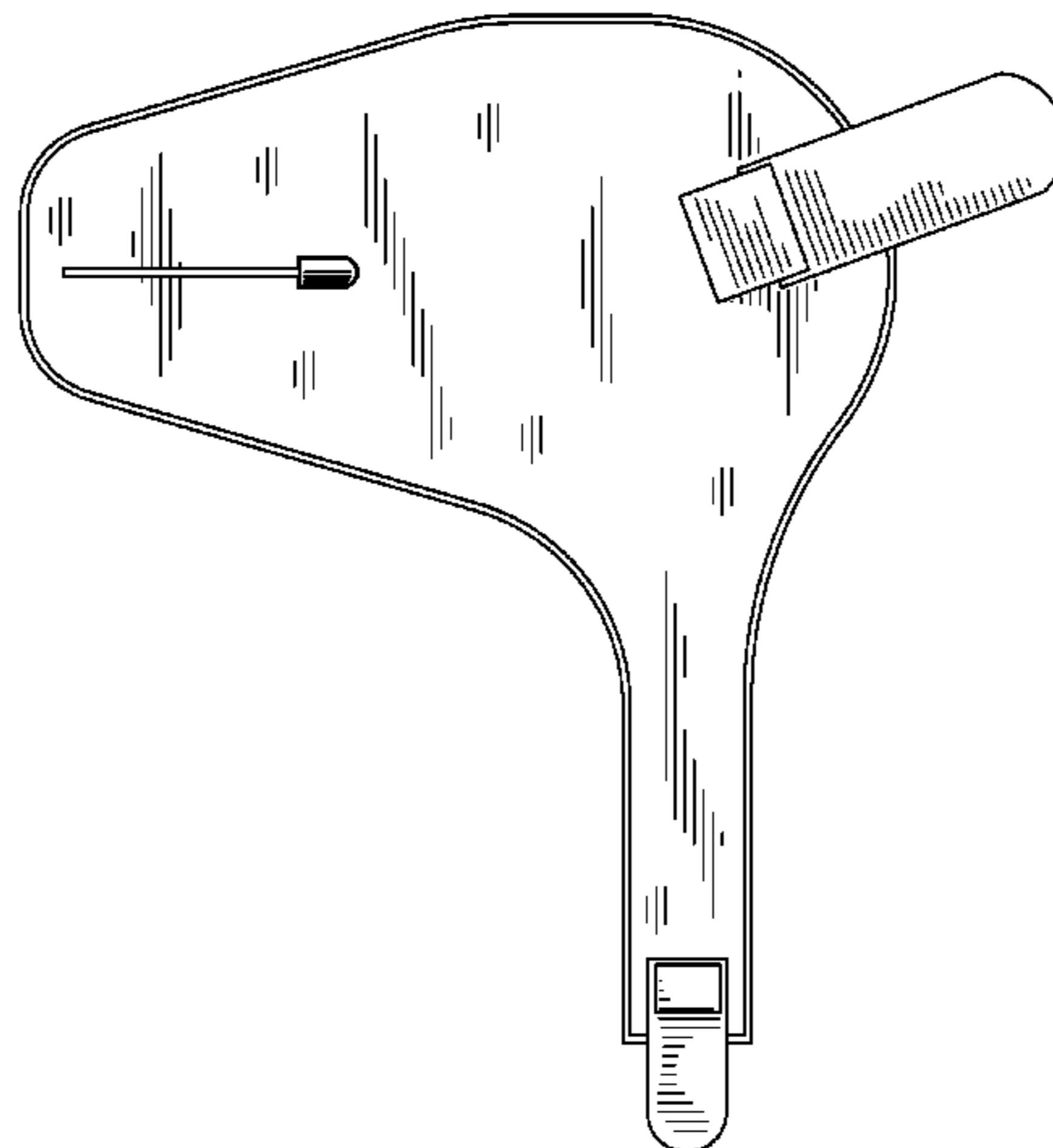
U.S. PATENT DOCUMENTS

2,075,229 A *	3/1937	Rose	36/62
D192,777 S *	5/1962	Pahas	D24/192
3,506,000 A *	4/1970	Baker	602/65
3,701,349 A	10/1972	Larson	
3,824,992 A	7/1974	Nicholson et al.	
3,888,242 A	6/1975	Harris et al.	
4,133,311 A *	1/1979	Karczewski	602/65
4,409,976 A *	10/1983	Pence	602/65
4,614,179 A	9/1986	Gardner et al.	
4,614,180 A	9/1986	Gardner et al.	
4,632,103 A *	12/1986	Fabricant et al.	602/30
4,696,289 A	9/1987	Gardner et al.	
4,702,234 A *	10/1987	Huntjens	602/5
4,721,101 A	1/1988	Gardner et al.	
RE32,939 E	6/1989	Gardner et al.	
RE32,940 E	6/1989	Gardner et al.	
4,844,058 A *	7/1989	Vogelbach	602/27
4,938,208 A	7/1990	Dye	
4,977,891 A	12/1990	Grim	

DESCRIPTION

FIG. 1 is a top plan view of a first embodiment of a foot cuff with a tapered, blunt end showing our new design;
 FIG. 2 is a bottom plan view of the foot cuff;
 FIG. 3 is a front elevational view of the foot cuff;
 FIG. 4 is a rear elevational view of the foot cuff;
 FIG. 5 is a left side elevational view of the foot cuff;
 FIG. 6 is a right side elevational view of the foot cuff;
 FIG. 7 is a top plan view of a second embodiment of a foot cuff with a tapered, blunt end showing our new design; and,
 FIG. 8 is a bottom plan view of the foot cuff shown in FIG. 7.
 The phantom lines in the drawings indicate environmental structure which forms no part of the claimed design.
 The broken lines in the FIGS. 7 and 8 indicate portions of the foot cuff which form no part of the claimed design.

1 Claim, 8 Drawing Sheets



US D579,116 S

Page 2

U.S. PATENT DOCUMENTS				
		6,682,497 B2	1/2004	Jensen et al.
5,453,082 A	9/1995	6,685,661 B2	2/2004	Peled
5,458,562 A	10/1995	6,785,985 B2	9/2004	Marvin et al.
5,464,385 A	11/1995	6,846,295 B1	1/2005	Ben-Nun
5,577,998 A	11/1996	6,921,373 B1	7/2005	Bernstein
5,584,798 A	12/1996	6,945,944 B2	9/2005	Kuiper et al.
5,588,955 A	12/1996	D513,324 S *	12/2005	Cook et al. D24/192
5,591,200 A	1/1997	6,988,329 B2	1/2006	Marvin et al.
5,669,872 A	9/1997	D517,695 S *	3/2006	Gillis et al. D24/169
5,688,225 A	11/1997	7,008,390 B2	3/2006	Miotto et al.
5,806,208 A	9/1998	7,047,670 B2	5/2006	Marvin et al.
5,830,164 A	11/1998	7,150,720 B2	12/2006	Adkins et al.
5,833,639 A	11/1998	7,282,038 B2 *	10/2007	Gillis et al. 601/151
5,840,049 A	11/1998	D569,985 S *	5/2008	Ganapathy et al. D24/192
5,843,007 A	12/1998	2001/0018564 A1	8/2001	Manor et al.
5,868,690 A	2/1999	2002/0022791 A1	2/2002	Morris et al.
5,891,065 A	4/1999	2002/0042583 A1	4/2002	Barak et al.
D411,301 S	6/1999	2002/0133106 A1	9/2002	Peled
5,931,797 A	8/1999	2003/0125649 A1	7/2003	McIntosh et al.
5,987,779 A	11/1999	2004/0064077 A1	4/2004	Dillon
5,989,204 A	11/1999	2004/0171971 A1	9/2004	Ravikumar et al.
6,014,823 A	1/2000	2005/0027218 A1	2/2005	Filtvedt et al.
6,066,107 A	5/2000	2005/0131321 A1	6/2005	Ravikumar
6,228,044 B1	5/2001	2005/0145256 A1	7/2005	Howard et al.
6,290,662 B1	9/2001	2005/0171461 A1	8/2005	Pick
6,319,215 B1	11/2001	2005/0187500 A1	8/2005	Perry et al.
6,406,450 B1	6/2002	2005/0187501 A1	8/2005	Ravikumar
6,423,017 B2	7/2002	2005/0203452 A1	9/2005	Weston et al.
6,447,467 B1	9/2002	2005/0261615 A1	11/2005	Weston
6,468,237 B1	10/2002	2006/0004310 A1	1/2006	Parizot
6,478,757 B1	11/2002	2006/0004311 A1	1/2006	Hargrave et al.
6,488,643 B1	12/2002	2006/0135894 A1	6/2006	Linnane et al.
6,494,852 B1	12/2002	2006/0178606 A1	8/2006	Logue et al.
6,544,202 B2	4/2003	2006/0189905 A1	8/2006	Eischen, Sr.
6,585,669 B2	7/2003	2006/0189907 A1	8/2006	Pick et al.
6,589,194 B1	7/2003	2007/0010770 A1	1/2007	Gildersleeve
6,592,534 B1	7/2003	2007/0135743 A1	6/2007	Meyer
6,629,941 B1	10/2003	2007/0282233 A1 *	12/2007	Meyer et al. 602/23
6,632,188 B2	10/2003			

* cited by examiner

FIG. 1

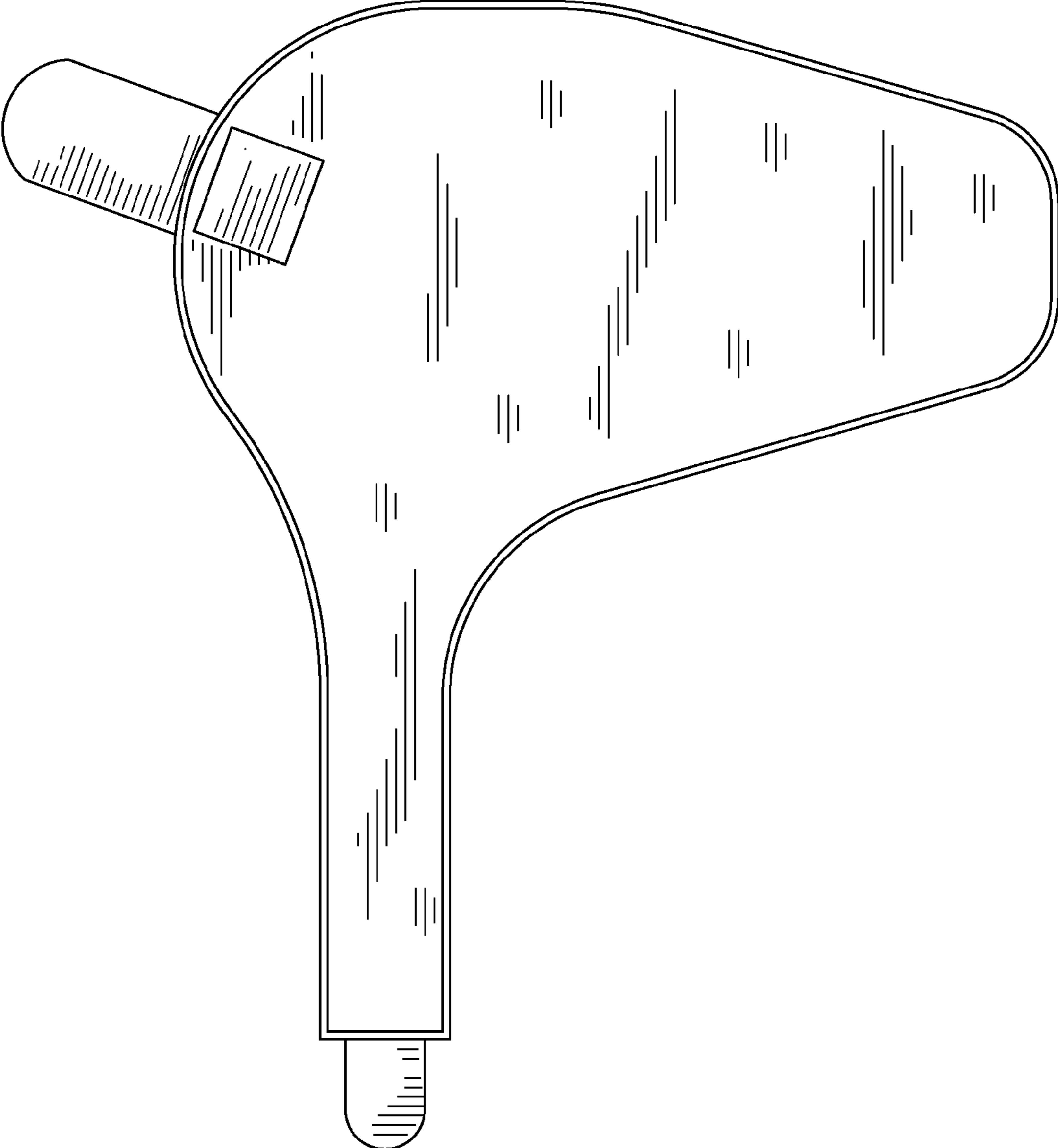
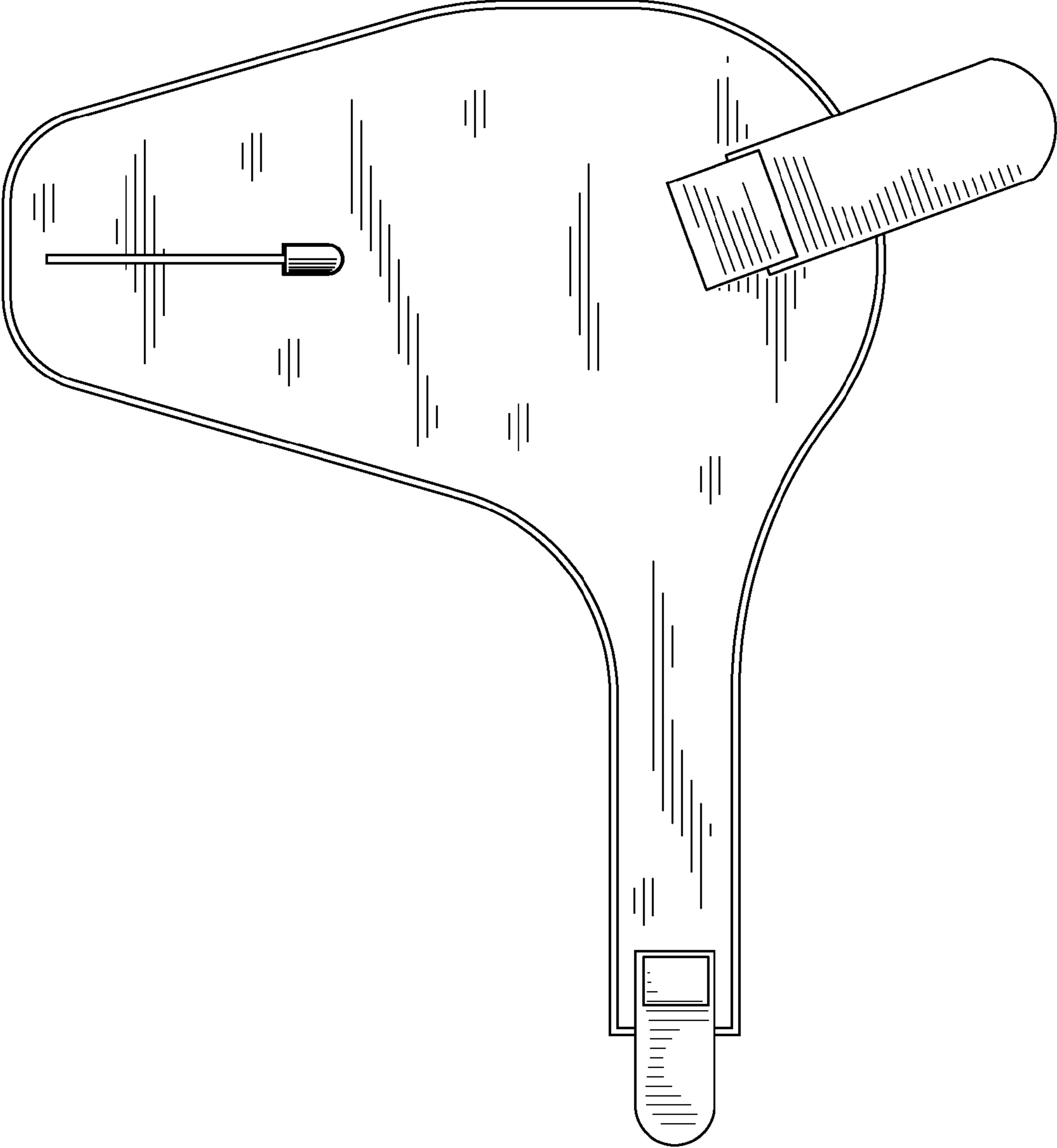


FIG. 2



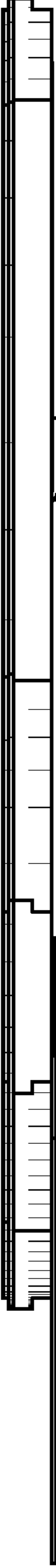


FIG. 3



FIG. 4

FIG. 5



FIG. 6

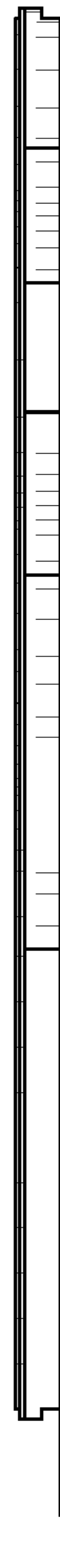


FIG. 7

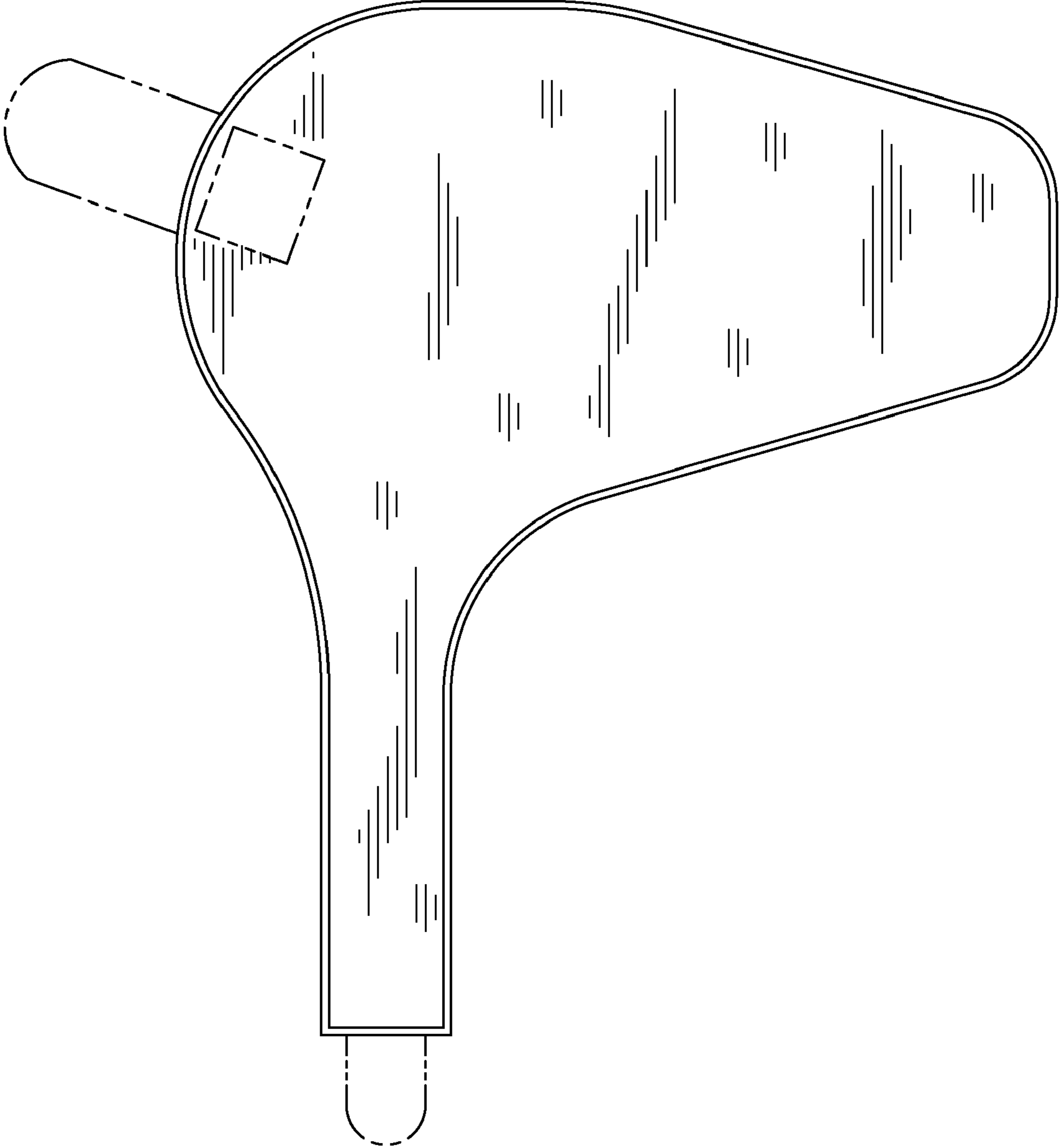


FIG. 8

