

US00D579113S

(12) **United States Design Patent**
Edgett et al.

(10) **Patent No.:** **US D579,113 S**

(45) **Date of Patent:** **** Oct. 21, 2008**

(54) **TAMPON APPLICATOR ASSEMBLY WITH FINGER GRIP**

(75) Inventors: **Keith J. Edgett**, Middletown, DE (US);
Robert T. Jorgensen, Middletown, DE (US); **George S. Jarmon**, Camden/Wyoming, DE (US)

(73) Assignee: **Playtex Products, Inc.**, Westport, CT (US)

(**) Term: **14 Years**

(21) Appl. No.: **29/205,170**

(22) Filed: **May 10, 2004**

(51) **LOC (8) Cl.** **24-02**

(52) **U.S. Cl.** **D24/142**

(58) **Field of Classification Search** D24/141,
D24/135, 130; 604/15, 902, 18, 17, 11, 16,
604/39, 41, 57, 59, 14; 606/191

See application file for complete search history.

(56) **References Cited**

U.S. PATENT DOCUMENTS

3,628,533	A *	12/1971	Loyer	604/14
4,676,773	A *	6/1987	Sheldon	604/16
4,857,044	A *	8/1989	Lennon	604/14
4,900,299	A *	2/1990	Webb	604/11
5,873,971	A *	2/1999	Balzar	D24/141
6,416,488	B1 *	7/2002	Jackson et al.	604/15
6,511,452	B1 *	1/2003	Rejai et al.	604/15
D492,033	S *	6/2004	Jarmon et al.	D24/141
2001/0014784	A1 *	8/2001	Tweddell et al.	604/15
2003/0040695	A1 *	2/2003	Zhao et al.	604/15

* cited by examiner

Primary Examiner—Ian Simmons

Assistant Examiner—Charles Hanson

(74) *Attorney, Agent, or Firm*—Ohlandt, Greeley, Ruggiero & Perle, L.L.P.

(57) **CLAIM**

The ornamental design for a tampon applicator assembly, as shown and described.

DESCRIPTION

FIG. 1 is a rear perspective view of a tampon applicator assembly according to a first embodiment of the present invention;

FIG. 2 is a front perspective view, rotated 180 degrees, of the tampon applicator assembly of FIG. 1;

FIG. 3 is a side view of the tampon applicator assembly of FIG. 1;

FIG. 4 is a first end view of the tampon applicator assembly of FIG. 1;

FIG. 5 is a second end view, opposite the first end view, of the tampon applicator assembly of FIG. 1;

FIG. 6 is a rear perspective view of a tampon applicator assembly according to a second embodiment of the present invention;

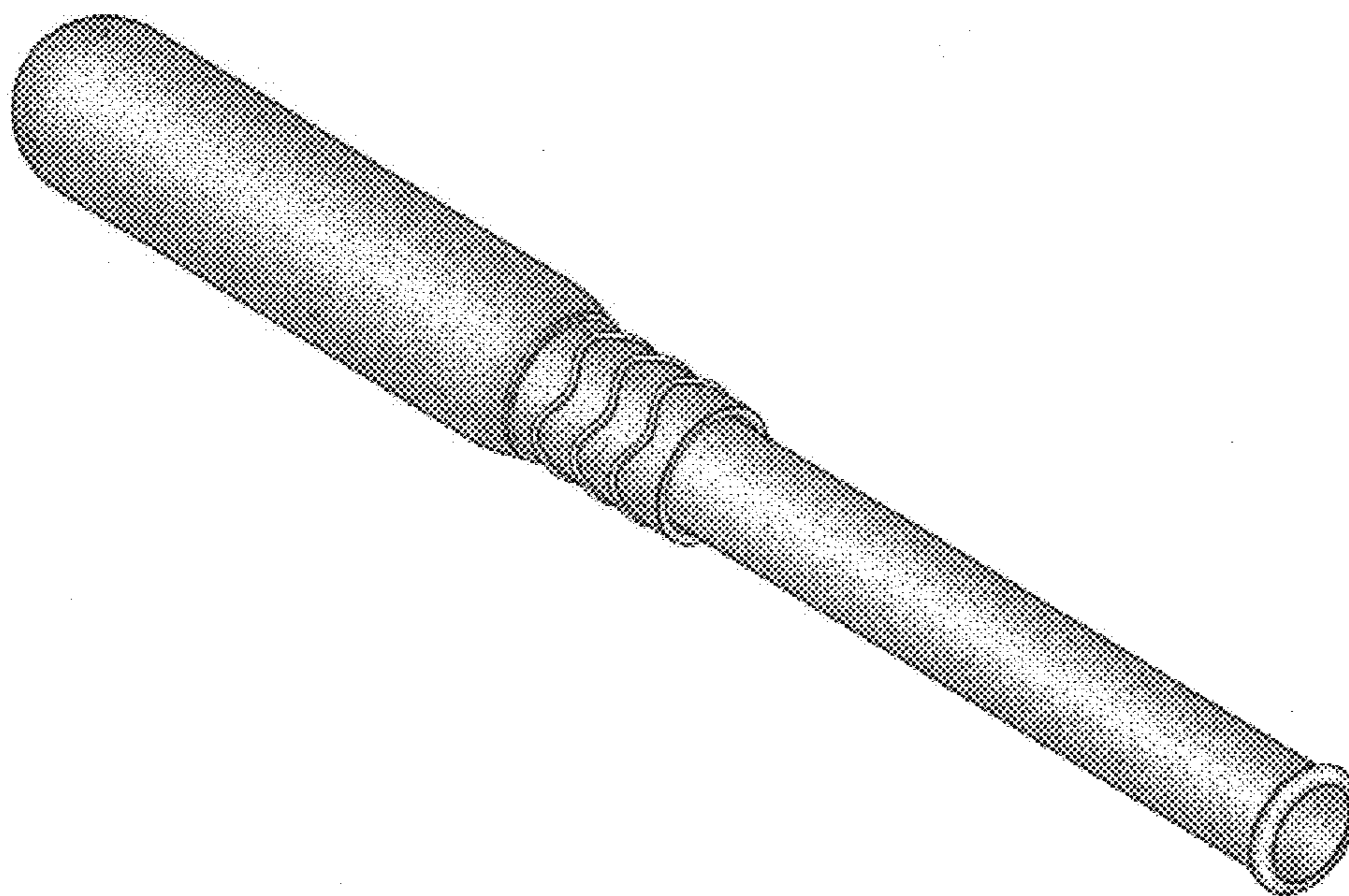
FIG. 7 is a front perspective view, rotated 180 degrees, of the tampon applicator assembly of FIG. 6;

FIG. 8 is a side view of the tampon applicator assembly of FIG. 6;

FIG. 9 is a first end view of the tampon applicator assembly of FIG. 6; and,

FIG. 10 is a second end view, opposite the first end view, of the tampon applicator assembly of FIG. 6.

1 Claim, 6 Drawing Sheets



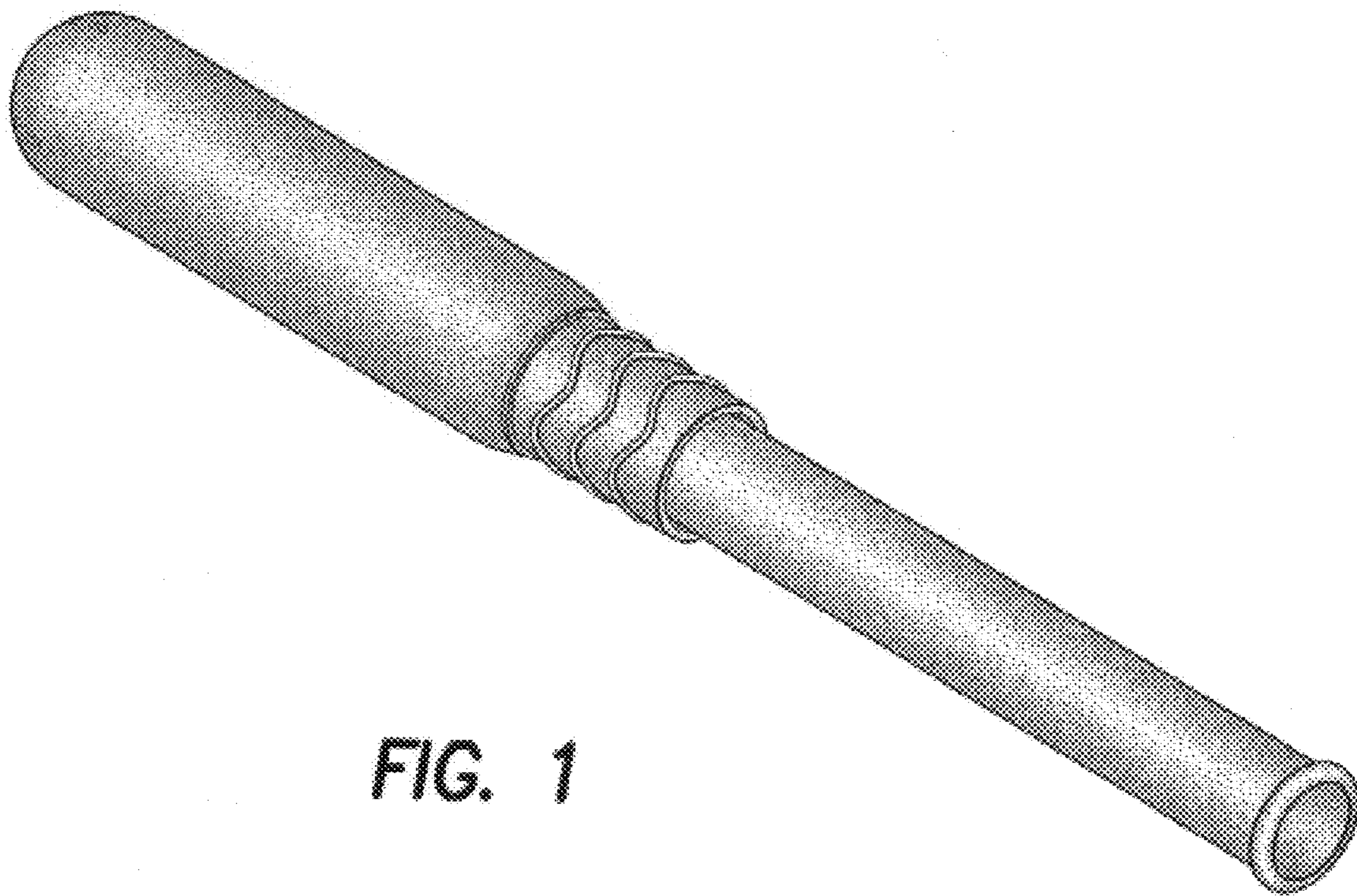


FIG. 1

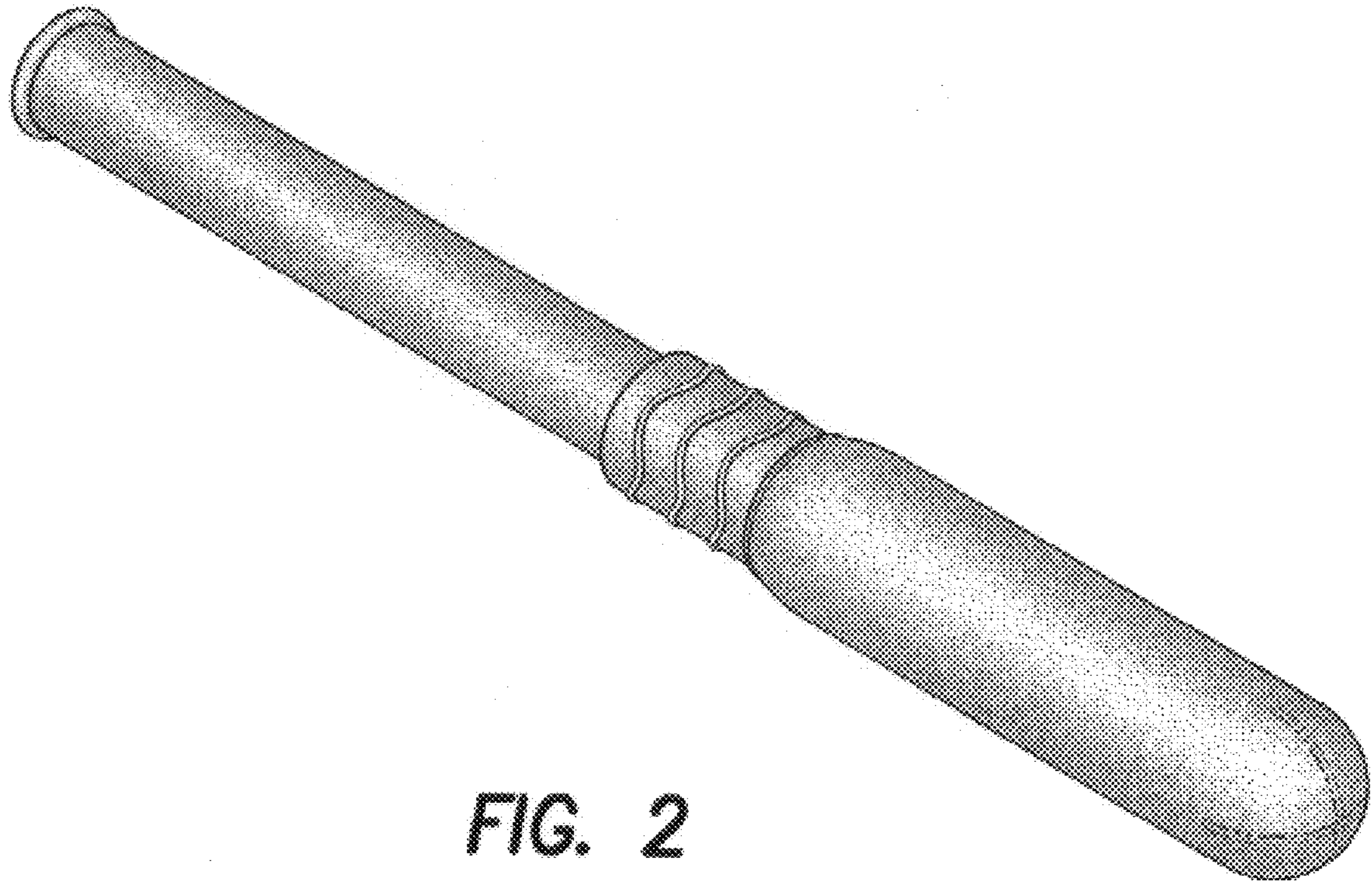


FIG. 2

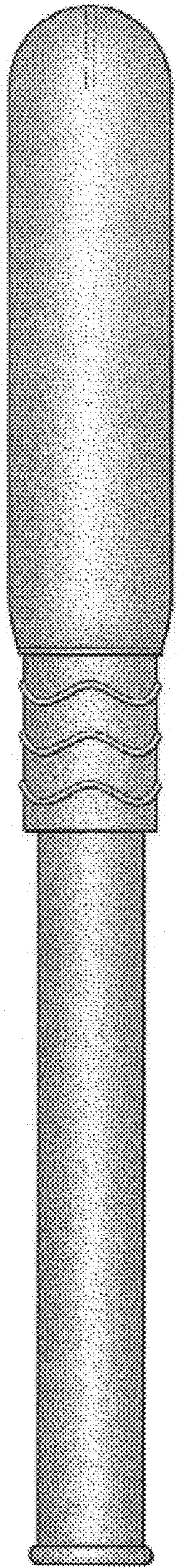


FIG. 3

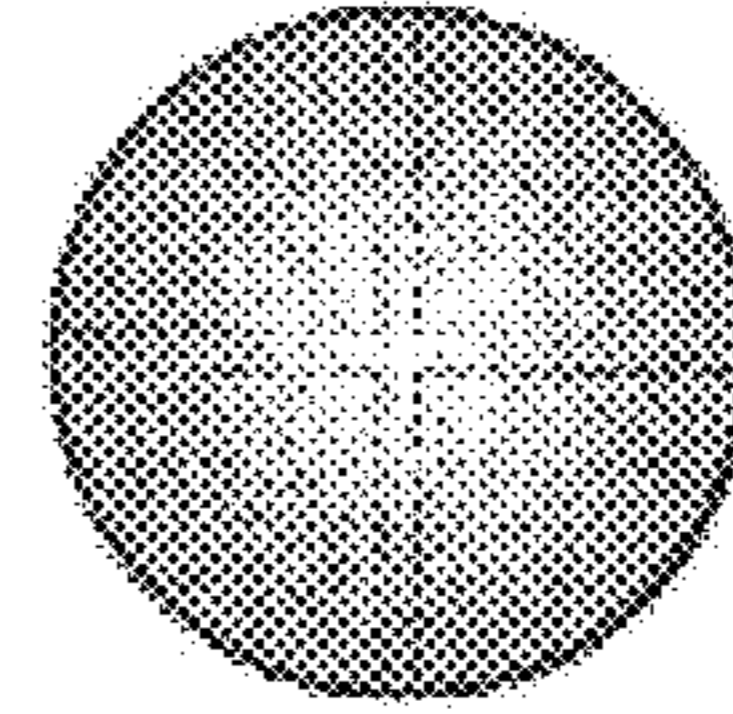


FIG. 4

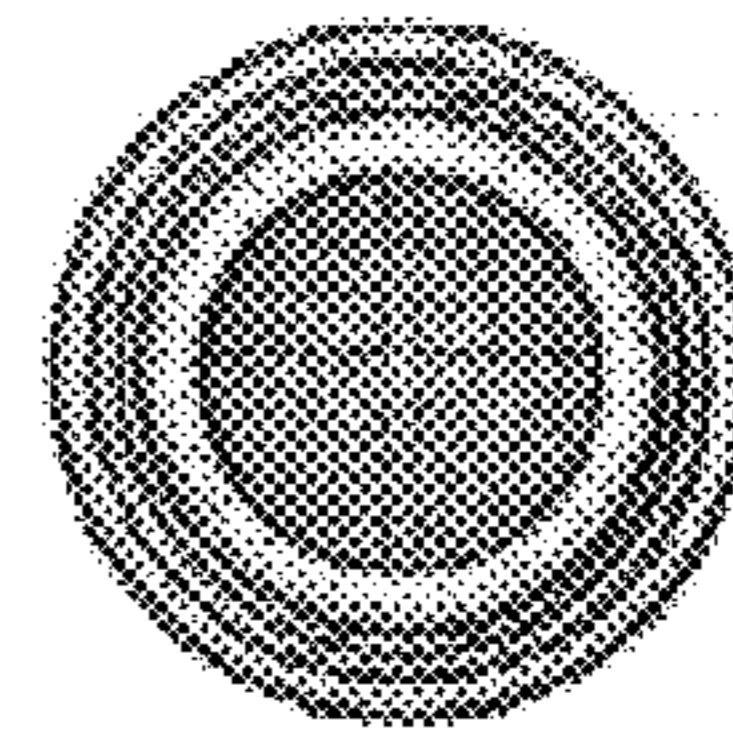


FIG. 5

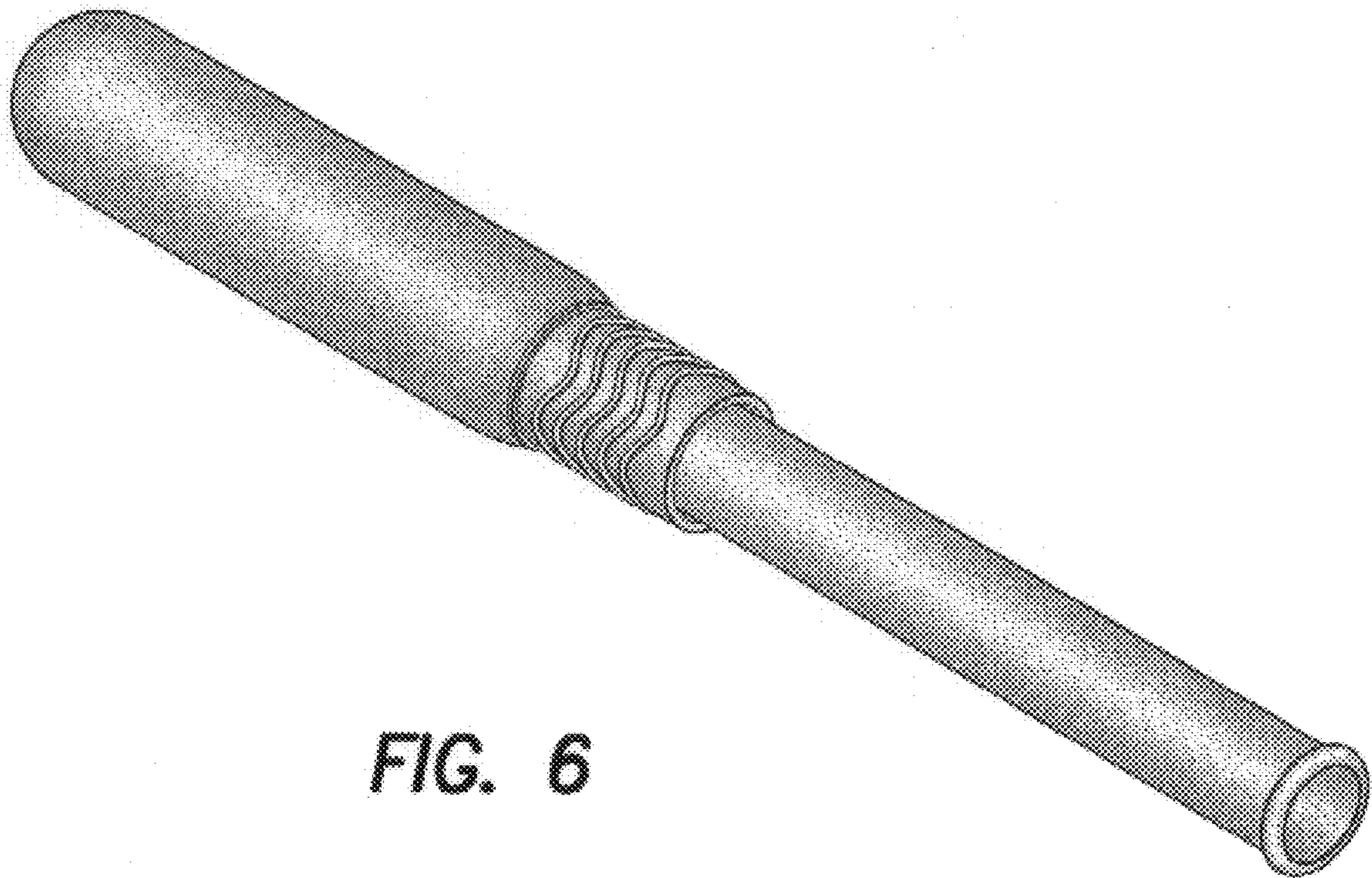


FIG. 6

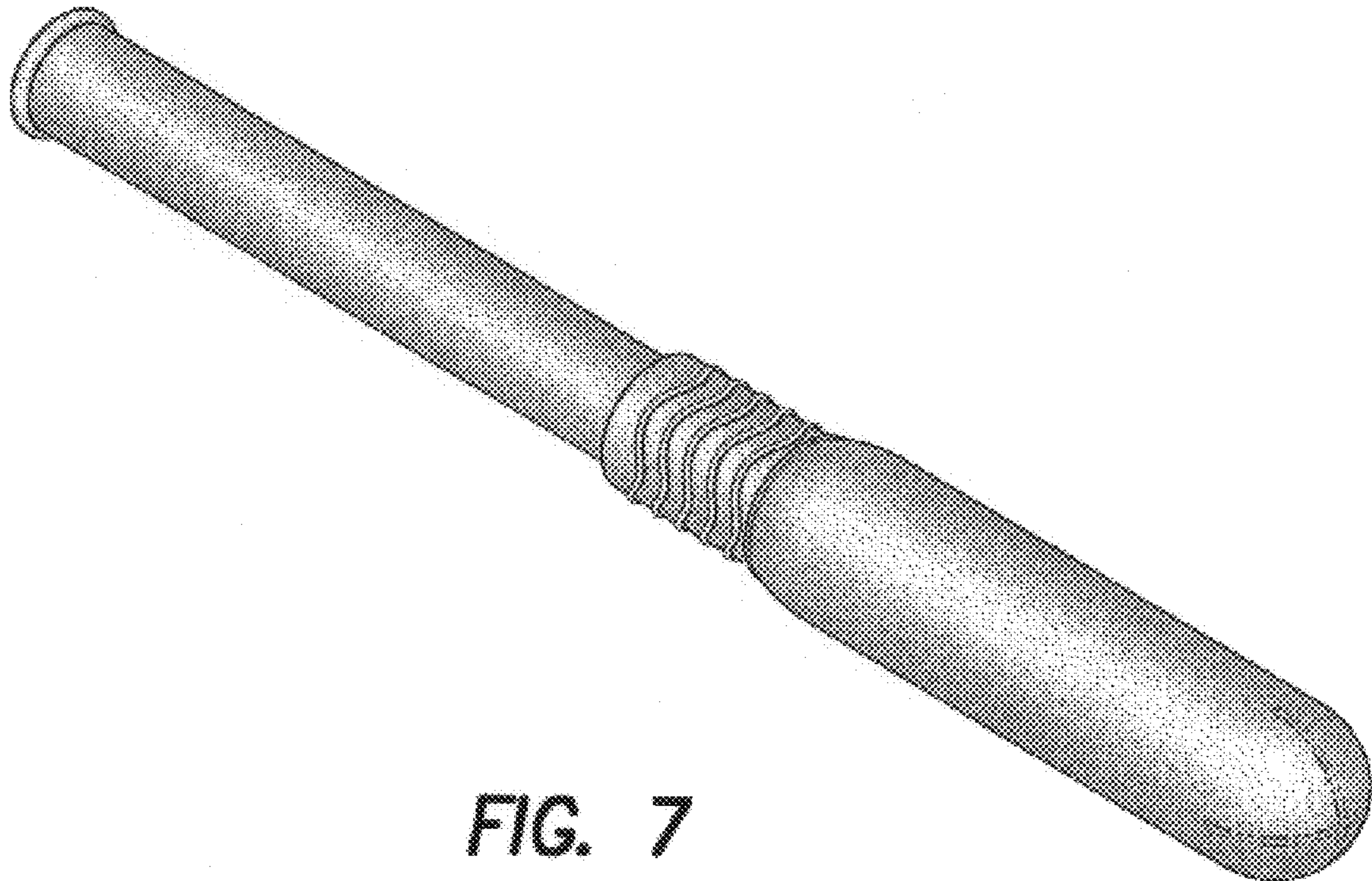


FIG. 7

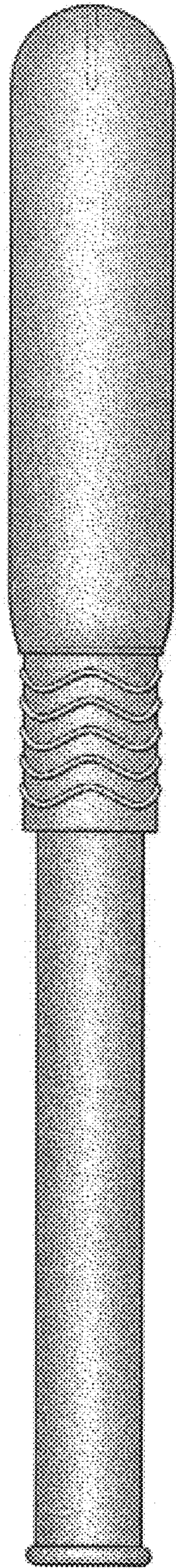


FIG. 8

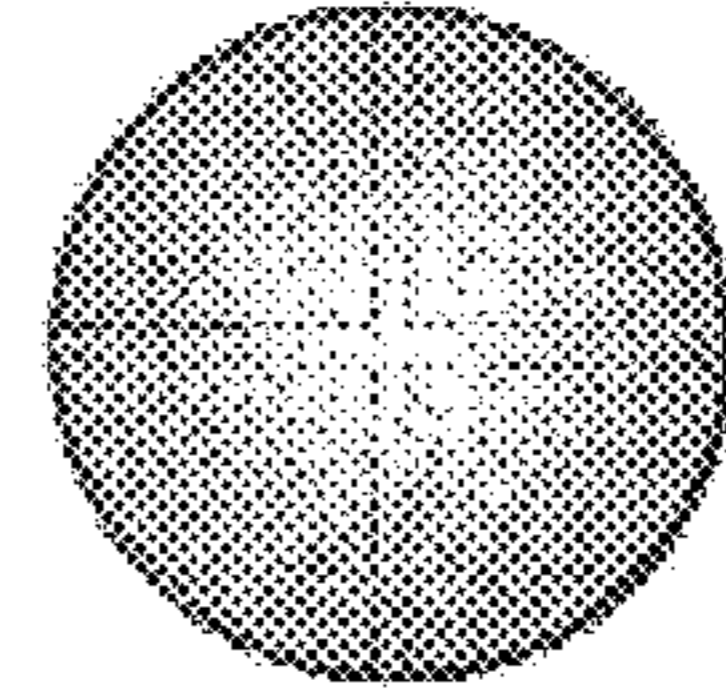


FIG. 9

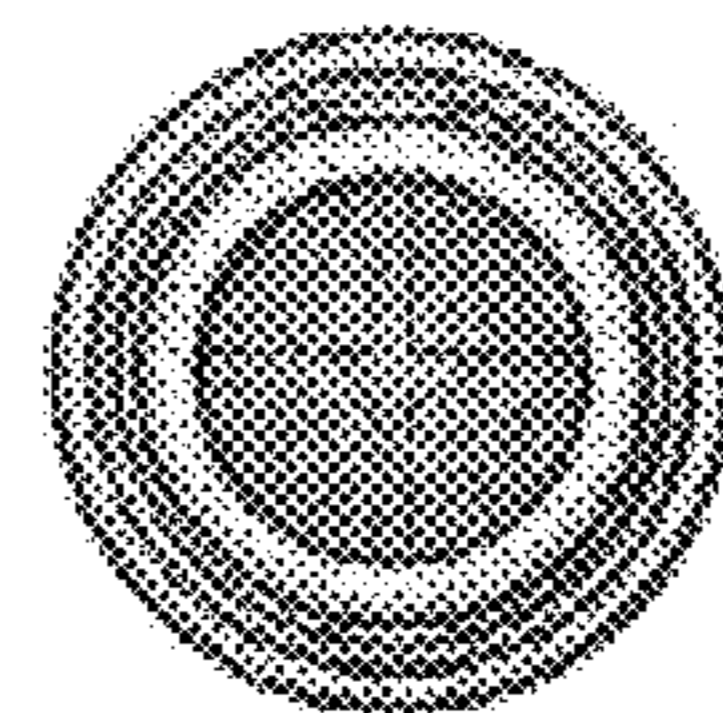


FIG. 10