



US00D579103S

(12) **United States Design Patent**
Hidalgo

(10) **Patent No.:** **US D579,103 S**

(45) **Date of Patent:** **** Oct. 21, 2008**

(54) **CEILING FAN BLADE**

(75) Inventor: **Rolando Hidalgo**, Orange, CA (US)

(73) Assignee: **Minka Lighting, Inc.**, Corona, CA (US)

(**) Term: **14 Years**

(21) Appl. No.: **29/299,227**

(22) Filed: **Dec. 20, 2007**

(51) **LOC (8) Cl.** **23-04**

(52) **U.S. Cl.** **D23/413**

(58) **Field of Classification Search** D23/377,
D23/379, 385, 411, 413; 416/5

See application file for complete search history.

(56) **References Cited**

U.S. PATENT DOCUMENTS

D388,871 S * 1/1998 Gee, II D23/413
D407,814 S * 4/1999 Lin D23/413
D531,306 S * 10/2006 Badarello D23/413

OTHER PUBLICATIONS

Hunter Internet Catalog; Ashland; Model #23907; printed form
www.hansenwholesale.com on Apr. 25, 2007.

Craftmade Internet Catalog; Riata; Model #RT52RI; printed form
www.hansenwholesale.com on Apr. 25, 2007.

* cited by examiner

Primary Examiner—Lisa P Lichtenstein

(74) *Attorney, Agent, or Firm*—Baker & McKenzie, LLP

(57) **CLAIM**

The ornamental design for a ceiling fan blade, as shown and described.

DESCRIPTION

FIG. 1 is a bottom perspective view of a ceiling fan blade showing my new design in use;

FIG. 2 is an enlarged bottom plan view of the ceiling fan blade in accordance with my design;

FIG. 3 is an enlarged top plan view of the ceiling fan blade in accordance with my design;

FIG. 4 is an enlarged side elevation view of the ceiling fan blade in accordance with my design;

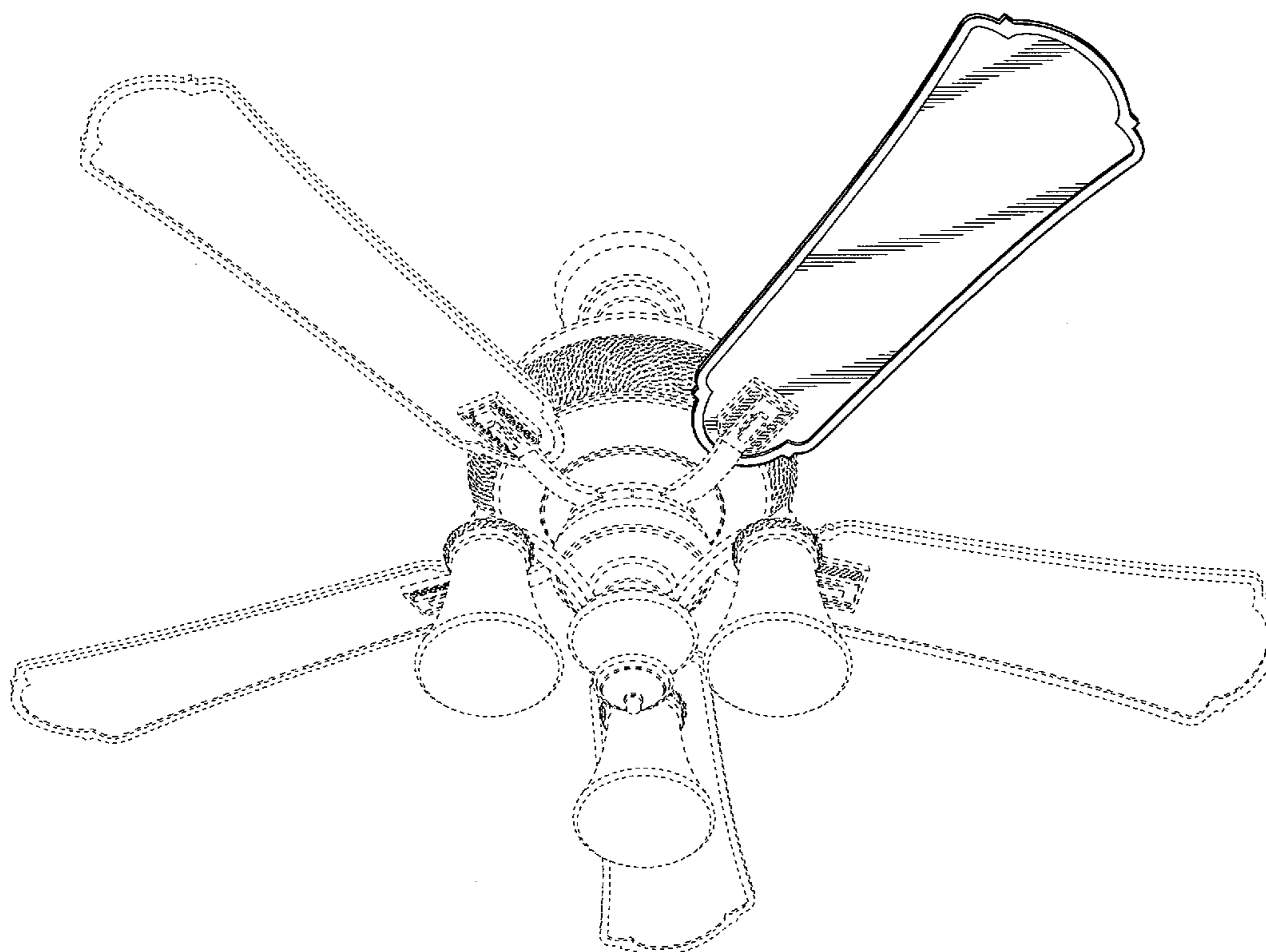
FIG. 5 is an enlarged opposite side elevation view of the ceiling fan blade in accordance with my design;

FIG. 6 is an enlarged front elevation view of the ceiling fan blade in accordance with my design; and,

FIG. 7 is an enlarged back elevation view of the ceiling fan blade in accordance with my design.

The broken line showing of the ceiling fan housing, canopy, blades, blade irons and light fixture is included for the purpose of illustrating environmental structure and forms no part of the claimed design.

1 Claim, 2 Drawing Sheets



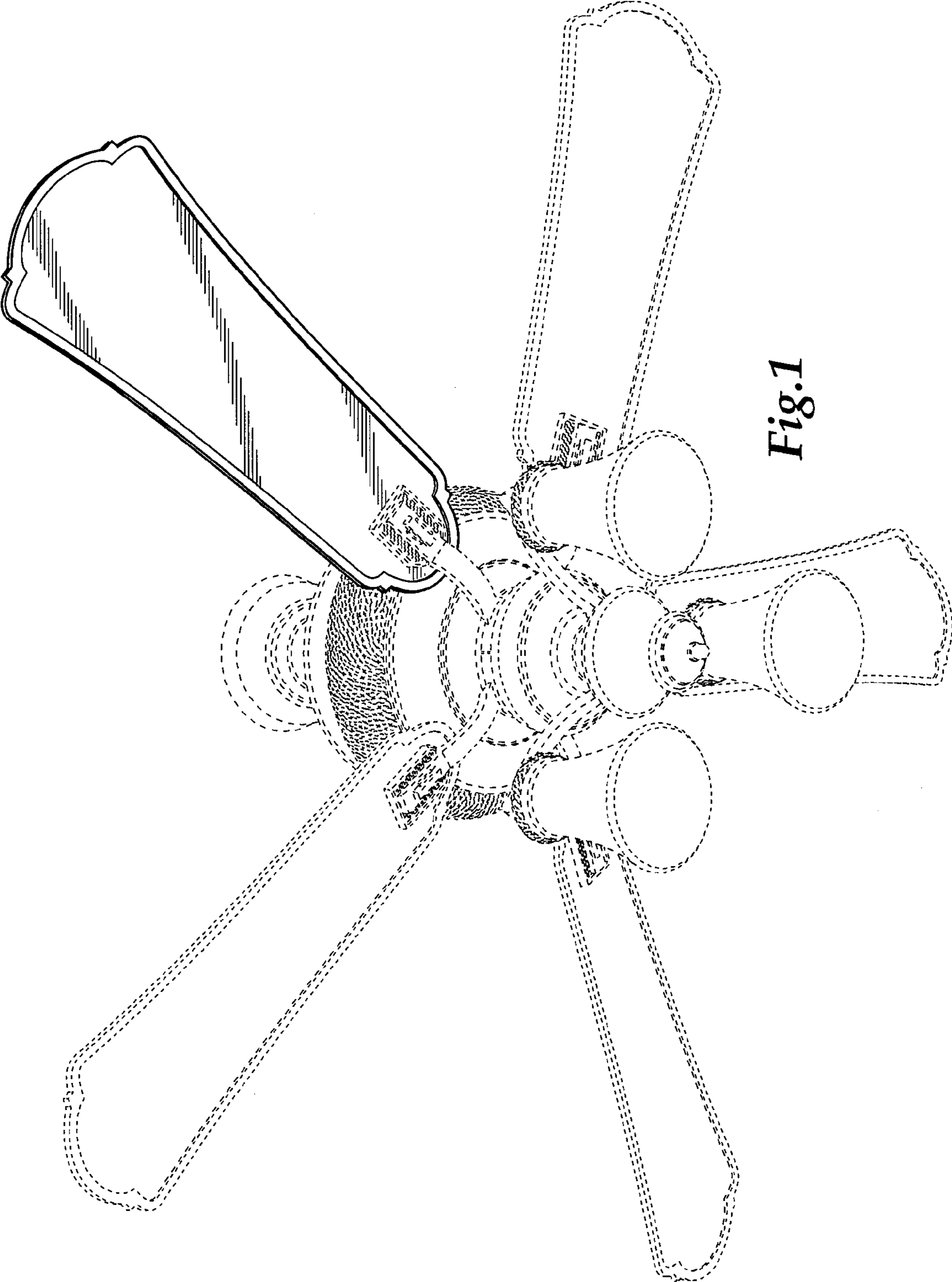


Fig. 1

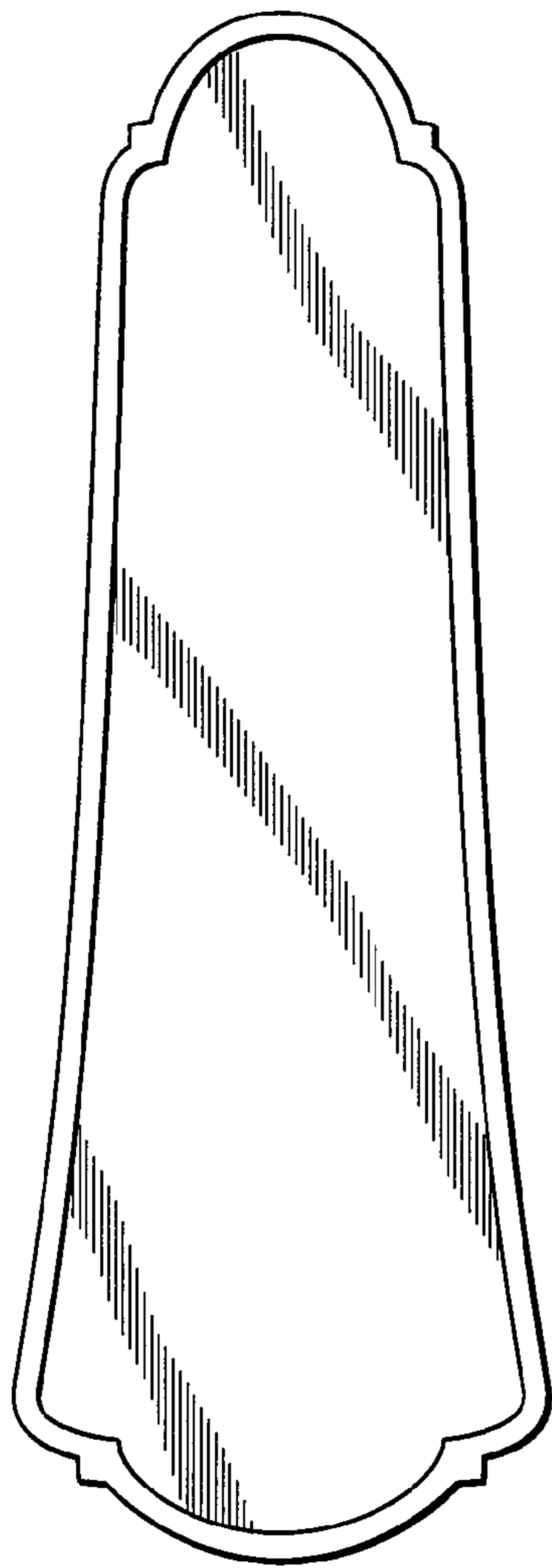


Fig. 2

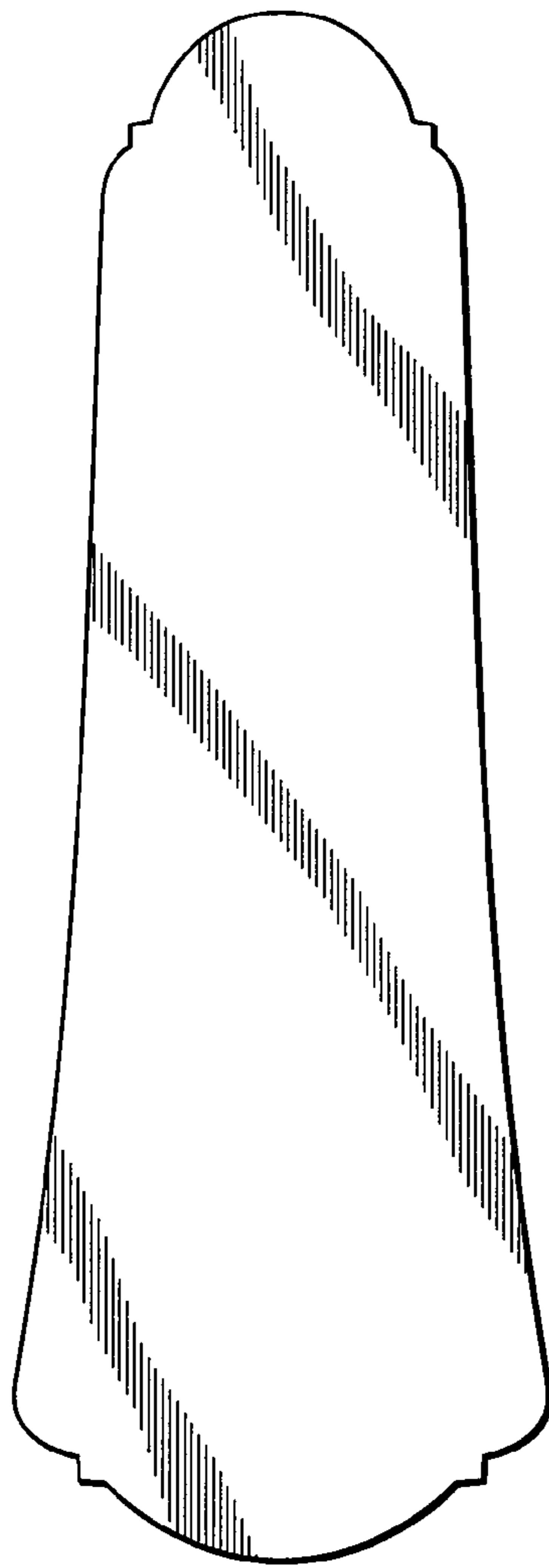


Fig. 3



Fig. 4



Fig. 5



Fig. 6



Fig. 7