



US00D579102S

(12) **United States Design Patent**
Leung et al.

(10) **Patent No.:** **US D579,102 S**

(45) **Date of Patent:** **** Oct. 21, 2008**

(54) **FAN**

(76) Inventors: **Benson Chung-Pun Leung**, Unit 901,
53-57 Kwai Fung Crescent, Kwai Chung,
New Territories (HK); **Ambrose**
Shing-Yin Leung, Unit 901, 53-57 Kwai
Fung Crescent, Kwai Chung, New
Territories (HK)

Primary Examiner—Lisa P Lichtenstein
(74) *Attorney, Agent, or Firm*—McDermott Will & Emery
LLP

(57) **CLAIM**

We claim the ornamental design for a fan, as shown and
described.

(**) **Term:** **14 Years**

(21) **Appl. No.:** **29/292,875**

(22) **Filed:** **Oct. 31, 2007**

(51) **LOC (8) Cl.** **23-04**

(52) **U.S. Cl.** **D23/411**

(58) **Field of Classification Search** D23/377,
D23/379, 385, 411, 413; 416/5
See application file for complete search history.

(56) **References Cited**

U.S. PATENT DOCUMENTS

D231,355 S * 4/1974 Papsi D23/377

* cited by examiner

DESCRIPTION

FIG. 1 is a perspective view of the fan showing our new
design;

FIG. 2 is a front view of the fan shown in FIG. 1;

FIG. 3 is a rear view of the fan shown in FIG. 1;

FIG. 4 is a right view of the fan shown in FIG. 1;

FIG. 5 is a left view of the fan shown in FIG. 1;

FIG. 6 is a top view of the fan shown in FIG. 1; and,

FIG. 7 is a bottom view of the fan shown in FIG. 1.

The broken line showing of the top hanging hook and attach-
ment means is included for the purpose of illustrating envi-
ronmental structure and forms no part of the claimed design.

1 Claim, 4 Drawing Sheets

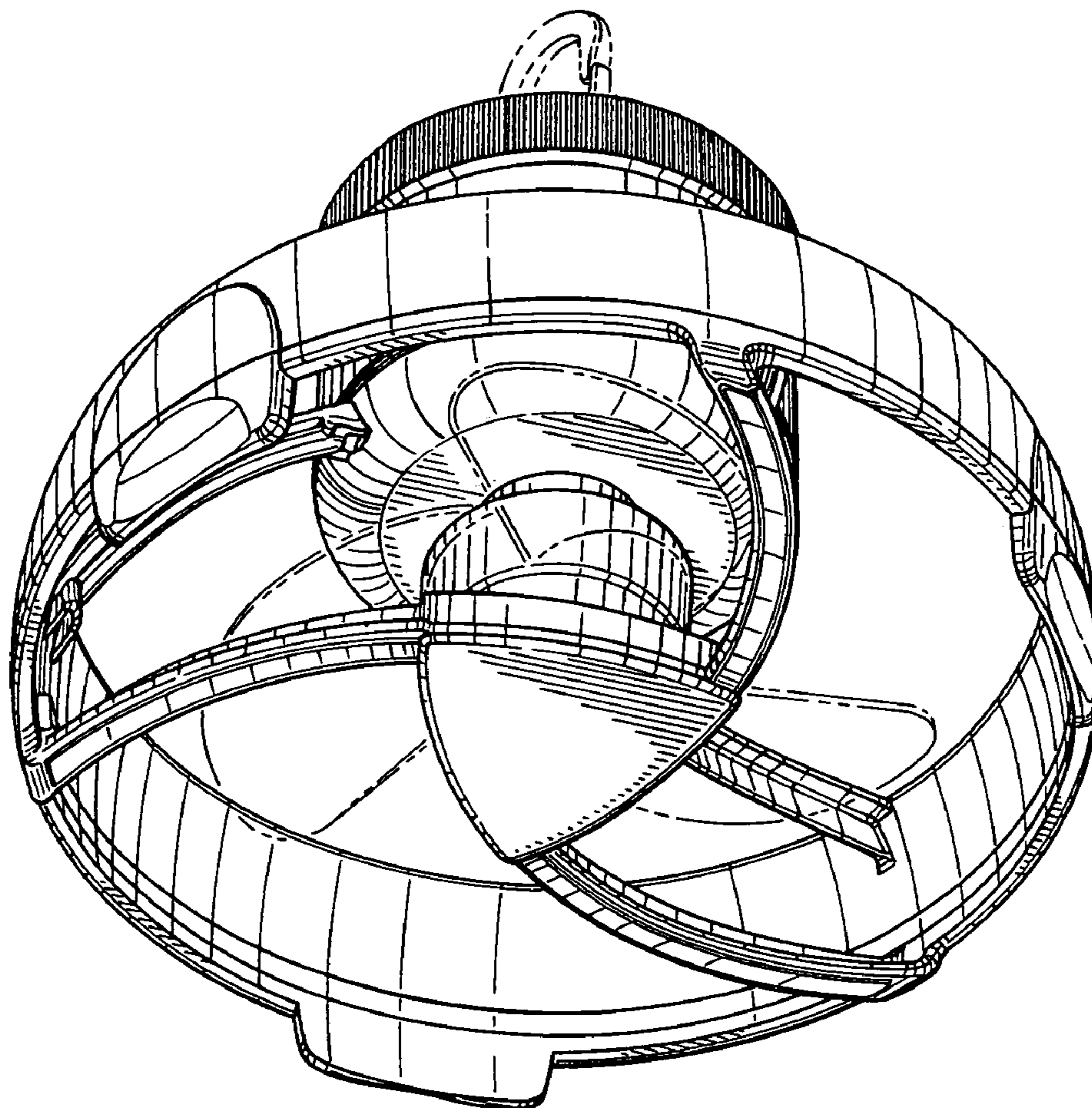


FIG. 1

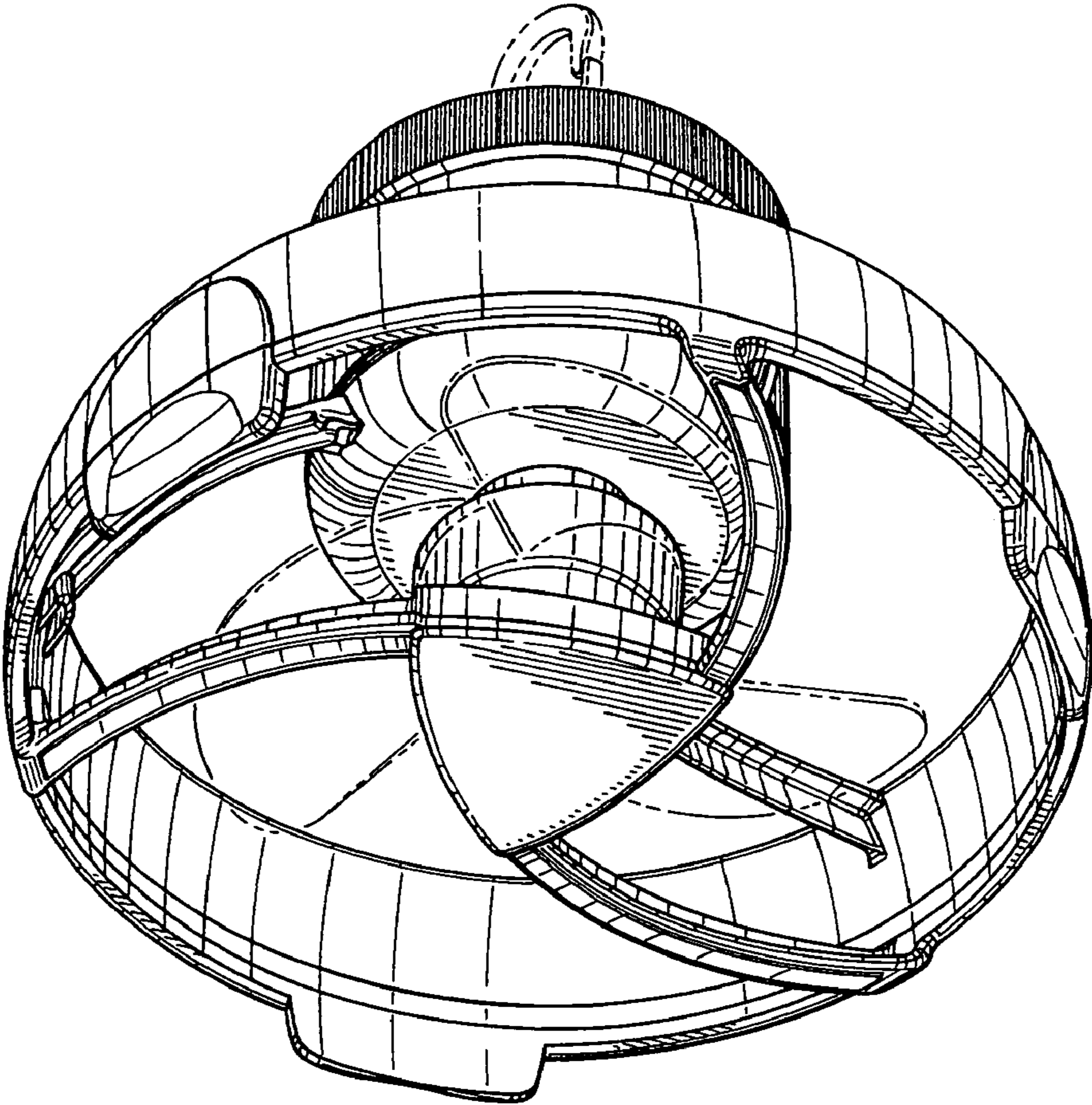


FIG. 2

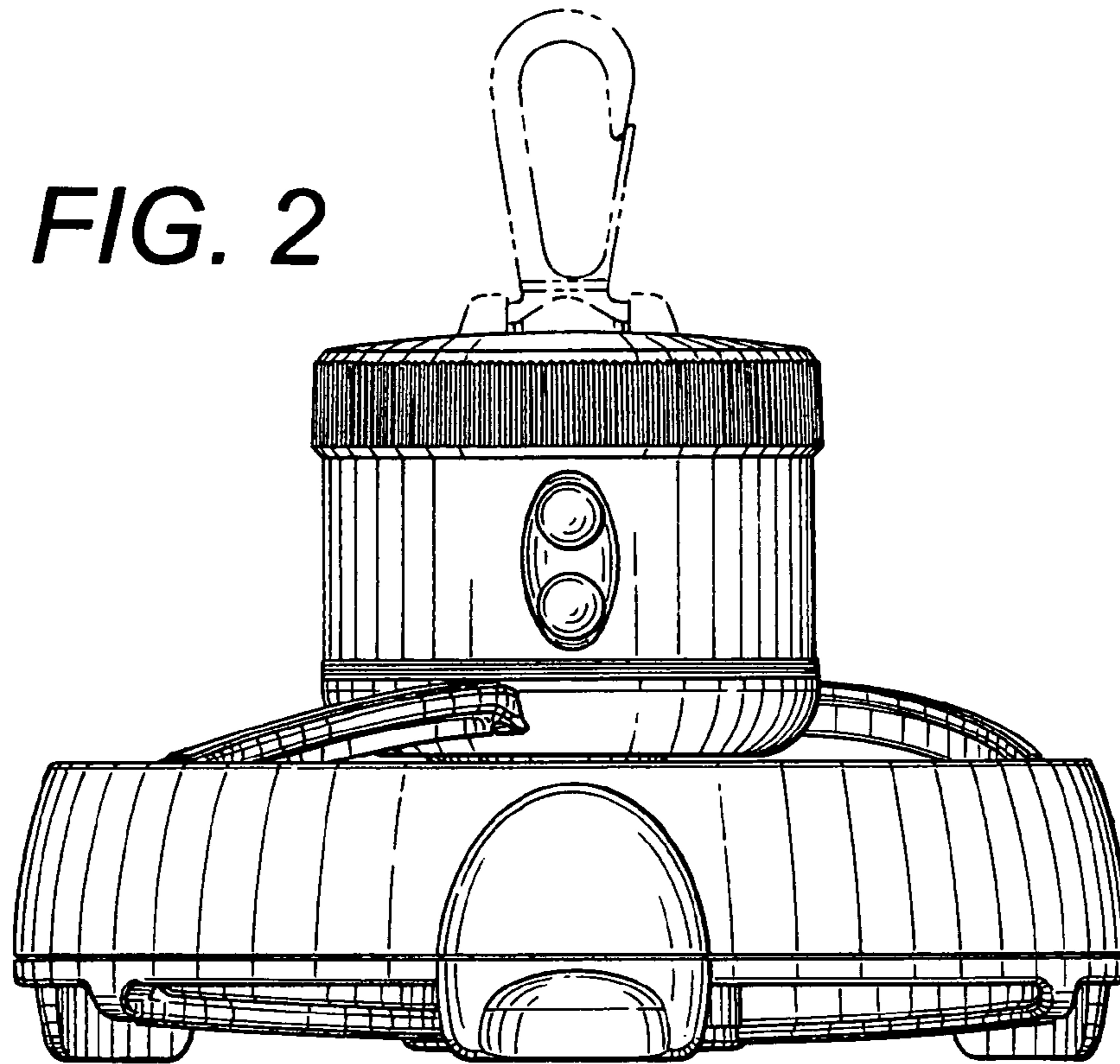


FIG. 3

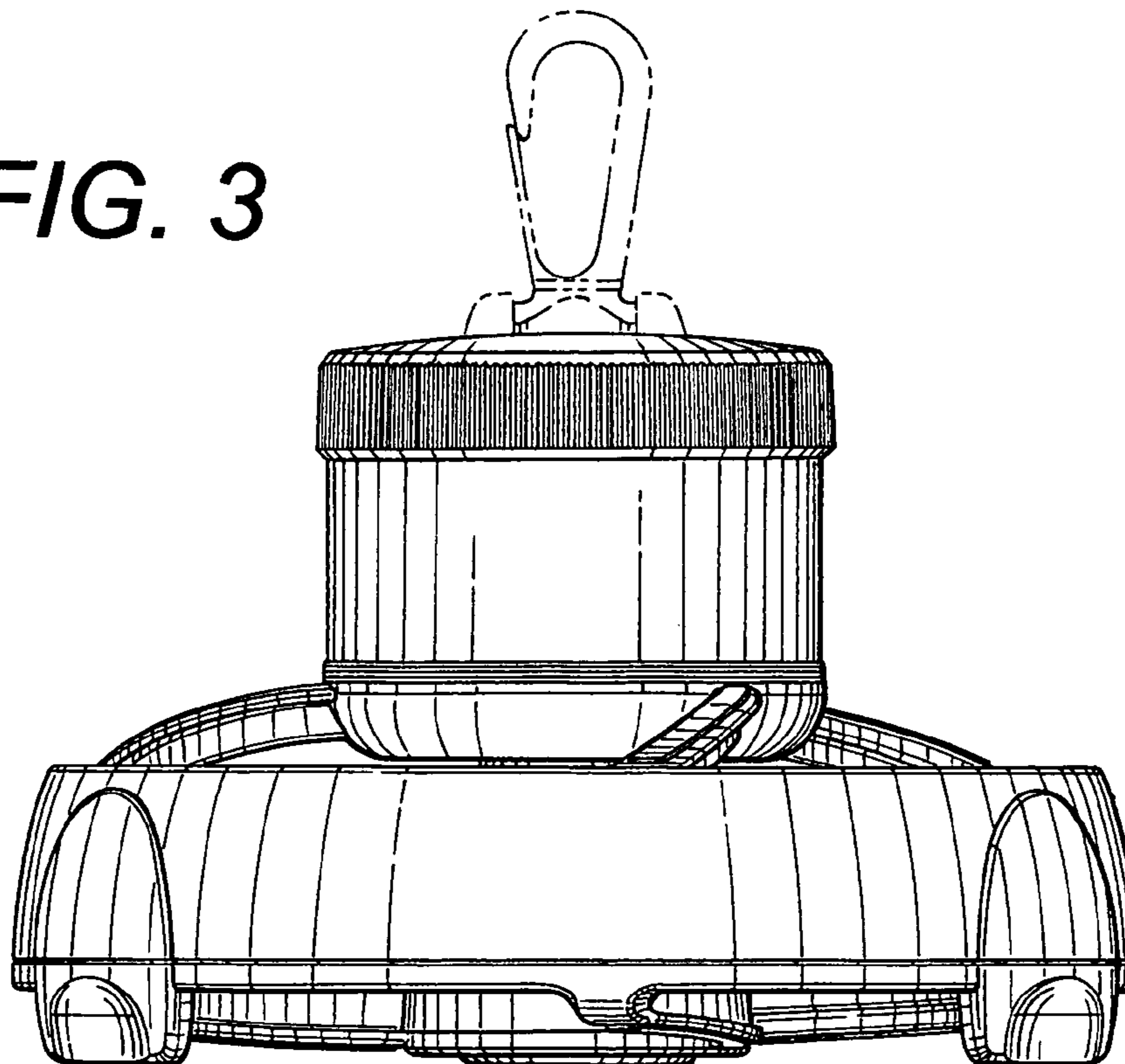


FIG. 4

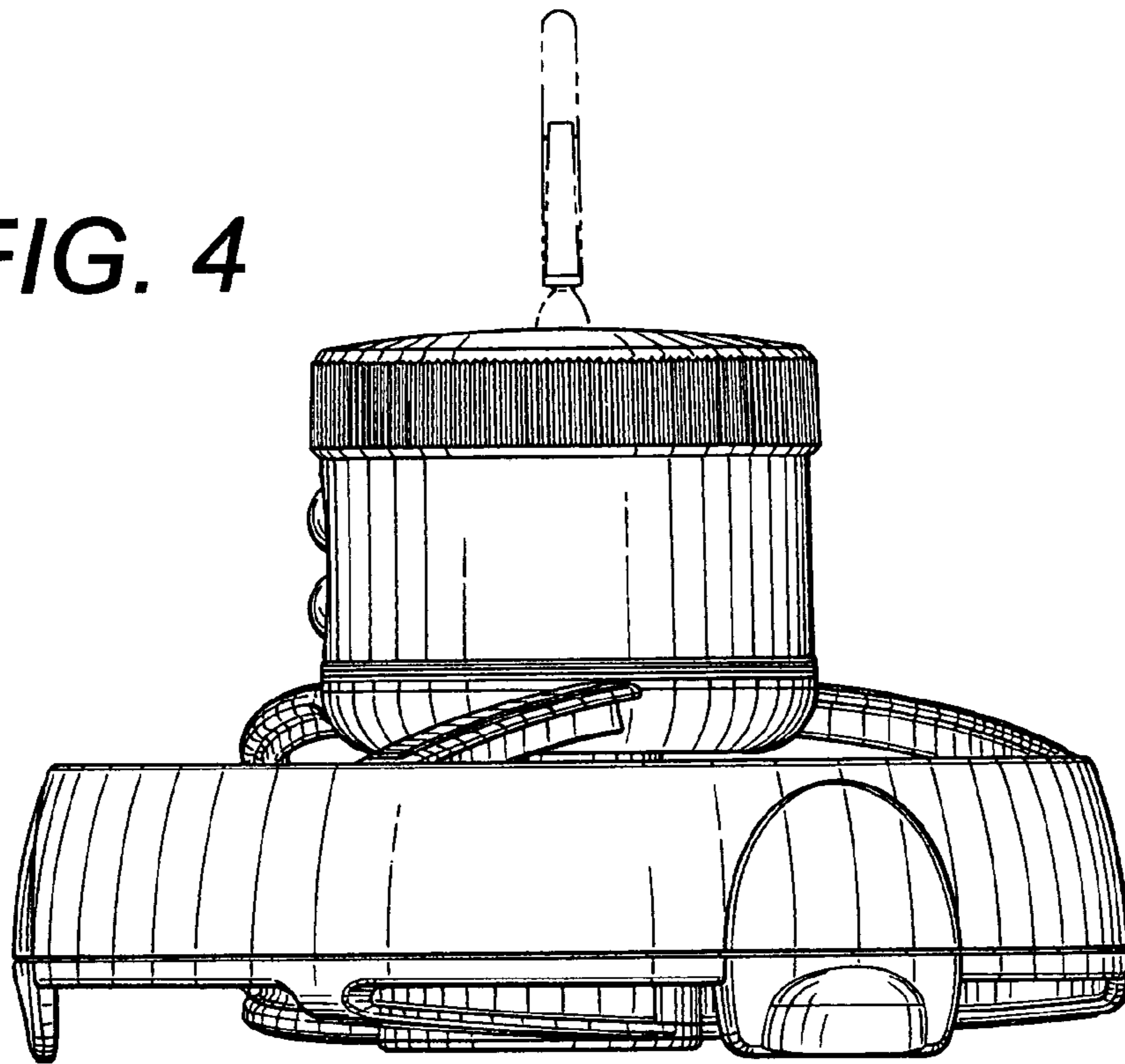


FIG. 5

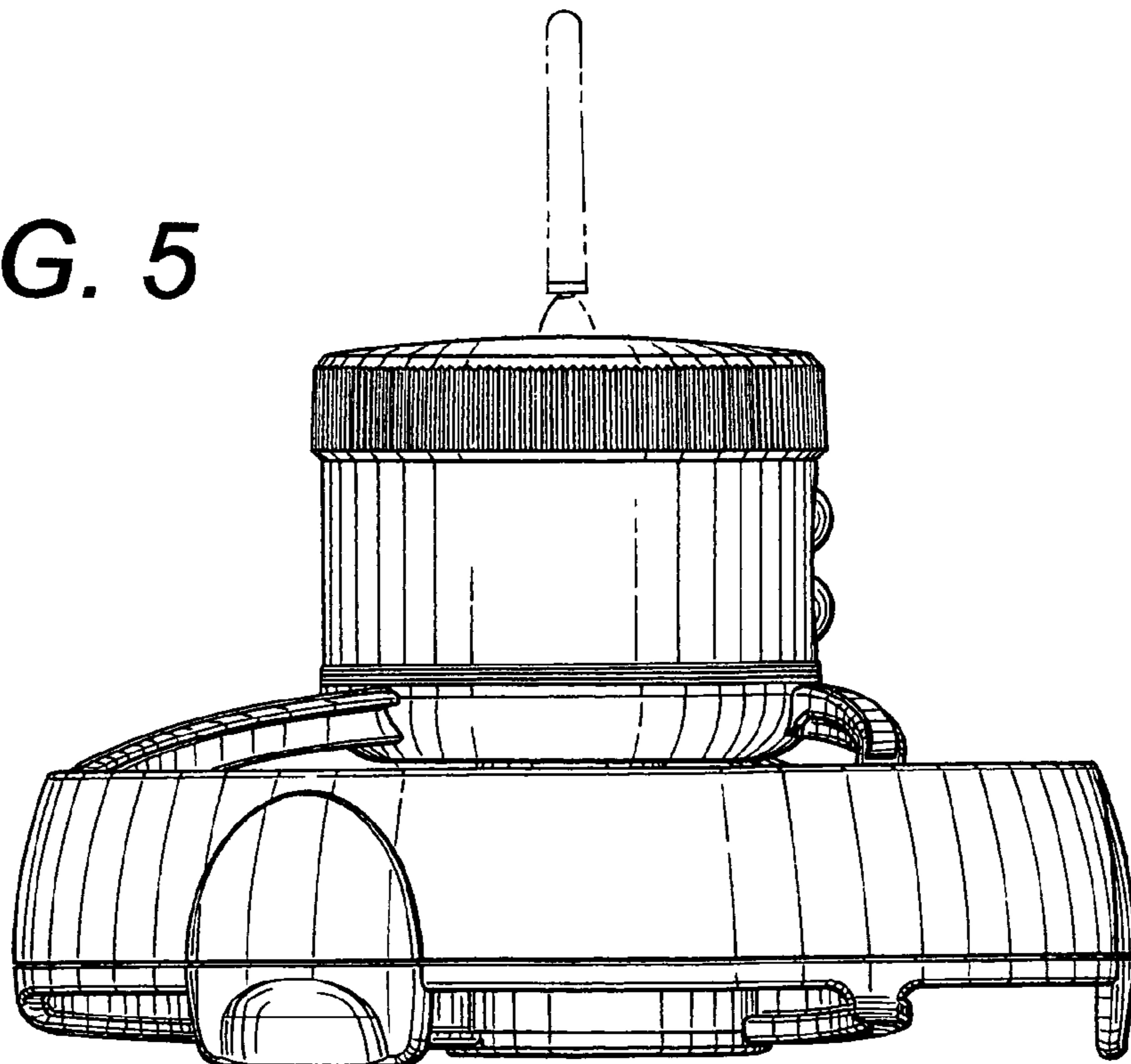


FIG. 6

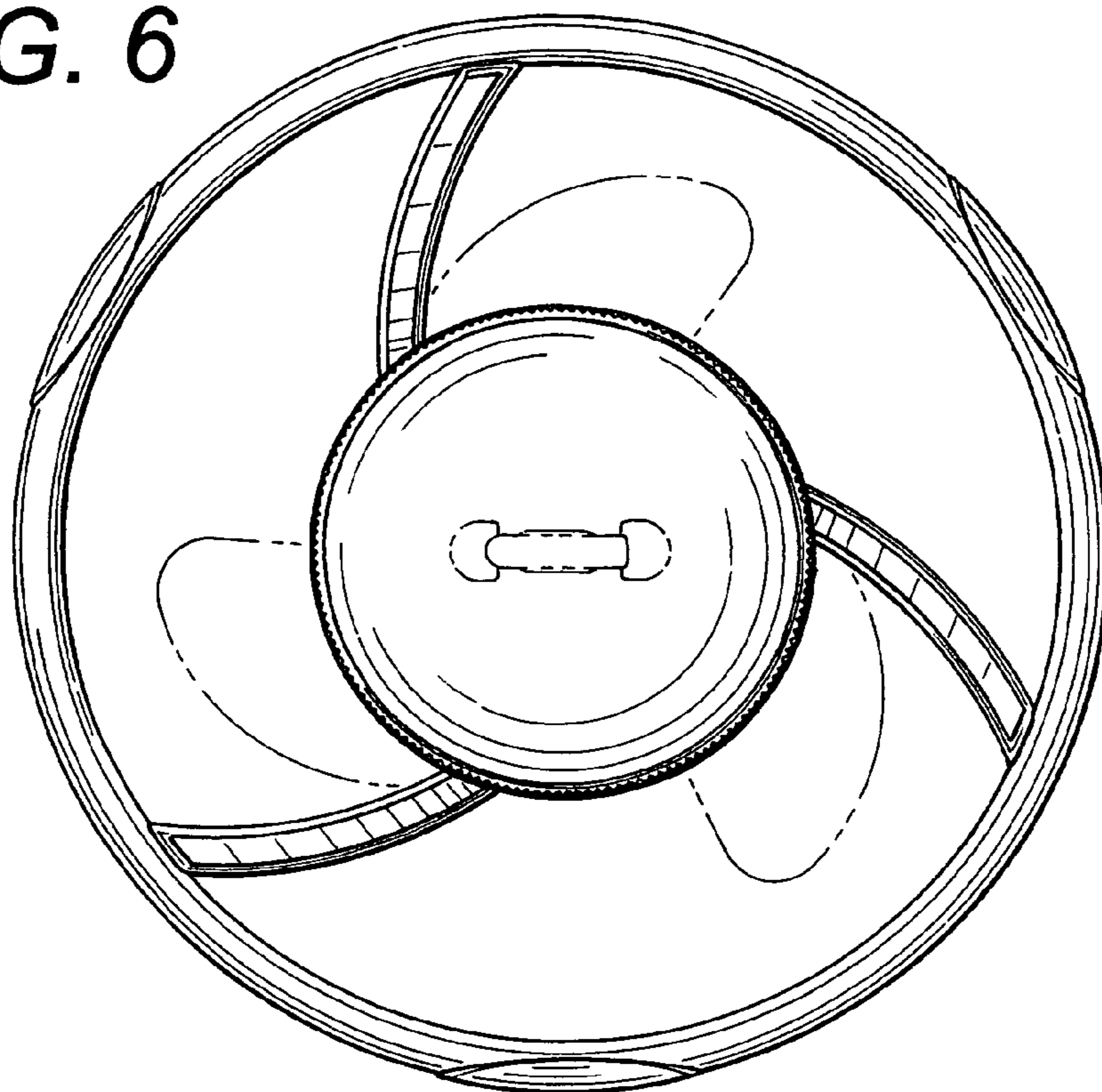


FIG. 7

