



US00D579101S

(12) **United States Design Patent**
Whittenberger et al.

(10) **Patent No.:** **US D579,101 S**
(45) **Date of Patent:** **** Oct. 21, 2008**

(54) **HEAT EXCHANGER**

(75) Inventors: **William A. Whittenberger**,
Leavittsburg, OH (US); **Gordon W.**
Brunson, Chagrin Falls, OH (US); **John**
H. Becker, Atwater, OH (US)

(73) Assignee: **Catacel Corp.**, Garrettsville, OH (US)

(**) Term: **14 Years**

(21) Appl. No.: **29/280,520**

(22) Filed: **May 30, 2007**

(51) **LOC (8) Cl.** **23-04**

(52) **U.S. Cl.** **D23/386**

(58) **Field of Classification Search** D23/386,
D23/393, 330, 323, 499, 341, 354, 370, 371,
D23/373, 387, 328, 355, 399, 383; 165/58,
165/59, 66, 104.11, 104.13, 177, 164-167,
165/102; 422/198; 454/237, 231-234, 236,
454/333; 62/419, 297; 285/424, 133.6; 138/DIG. 10
See application file for complete search history.

(56) **References Cited**

U.S. PATENT DOCUMENTS

2,216,864	A *	10/1940	Wasmund	285/133.6
D156,294	S *	11/1949	Trow	D23/328
2,553,030	A *	5/1951	Bell	165/166
D165,089	S *	11/1951	McElgin	D23/370
2,905,201	A *	9/1959	McNaughton	285/424
2,963,783	A *	12/1960	Field	285/424
3,059,563	A *	10/1962	Larson	D23/370
3,165,152	A *	1/1965	Jones	165/166
3,734,177	A *	5/1973	Bellovary et al.	
3,847,211	A *	11/1974	Fischel et al.	165/166
3,907,050	A *	9/1975	Mullings	62/297
4,126,268	A *	11/1978	Vitale	454/233
D252,641	S *	8/1979	LaZar	D23/370
D253,067	S *	10/1979	Hartley	D23/399
D256,156	S *	7/1980	Garritson	D23/393
D279,029	S *	5/1985	Sieverding	D23/383
4,742,957	A *	5/1988	Mentuch	165/66
D297,044	S *	8/1988	Van Ee	D23/328

D297,359	S *	8/1988	Schmid et al.	D23/370
D319,499	S *	8/1991	Hague	D23/370
5,311,930	A *	5/1994	Bruenn	165/102
5,398,752	A *	3/1995	Abbott	
5,538,293	A *	7/1996	Kolt	285/424
5,709,264	A *	1/1998	Sweeney et al.	
D398,049	S *	9/1998	Willis	D23/393

(Continued)

FOREIGN PATENT DOCUMENTS

EP	0844454	A1	10/1997
GB	2033570	A	5/1980
GB	2158569	A	11/1985
JP	55118598	A *	9/1980
WO	WO8301998		6/1983
WO	WO9924772		5/1999

OTHER PUBLICATIONS

S. Goud, et al., "Compact, Lightweight Flexible Fuel Reforming for Solid Oxide Fuel Cells", Ohio Fuel Cell Coalition Symposium, Canton, OH, May 24, 2006, Poster Boards, pp. 1-16.

Primary Examiner—Louis S Zarfaz

Assistant Examiner—David G Muller

(74) *Attorney, Agent, or Firm*—Pearne & Gordon LLP

(57) **CLAIM**

The ornamental design for a heat exchanger, as shown and described.

DESCRIPTION

FIG. 1 is a perspective view of a heat exchanger, showing our new design;

FIG. 2 is a bottom view thereof;

FIG. 3 is a front elevational view thereof;

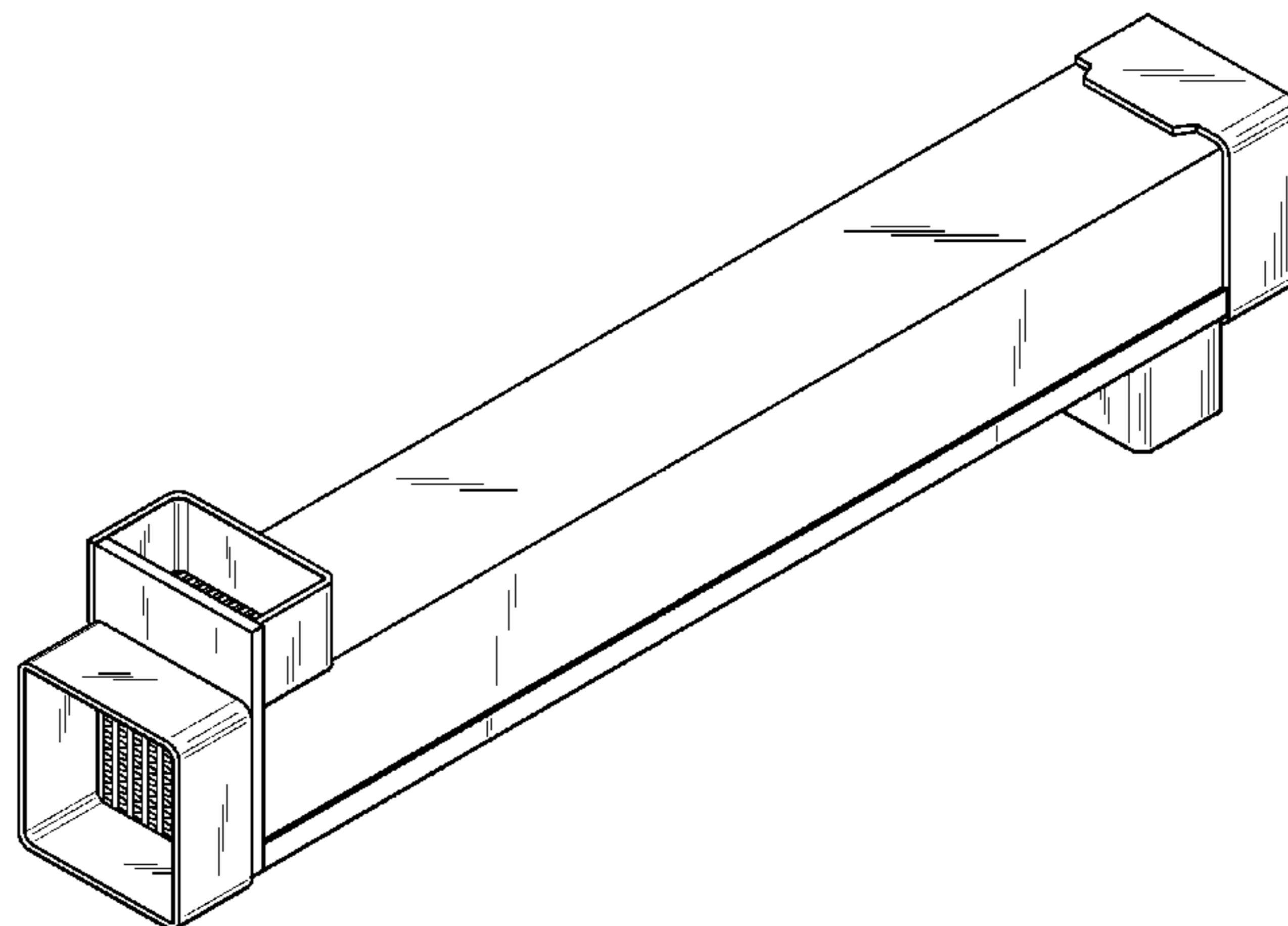
FIG. 4 is a right side elevational view thereof;

FIG. 5 is a back elevational view thereof;

FIG. 6 is a left side elevational view thereof; and,

FIG. 7 is a top view thereof.

1 Claim, 3 Drawing Sheets



US D579,101 S

Page 2

U.S. PATENT DOCUMENTS			
5,893,408	A *	4/1999	Stark 165/66
6,364,007	B1 *	4/2002	Fischer 165/166
7,159,649	B2 *	1/2007	Thyrum et al.
2006/0153755	A1 *	7/2006	Obuchi et al. 422/198
2007/0056164	A1	3/2007	Whittenberger
2007/0056717	A1	3/2007	Whittenberger

* cited by examiner

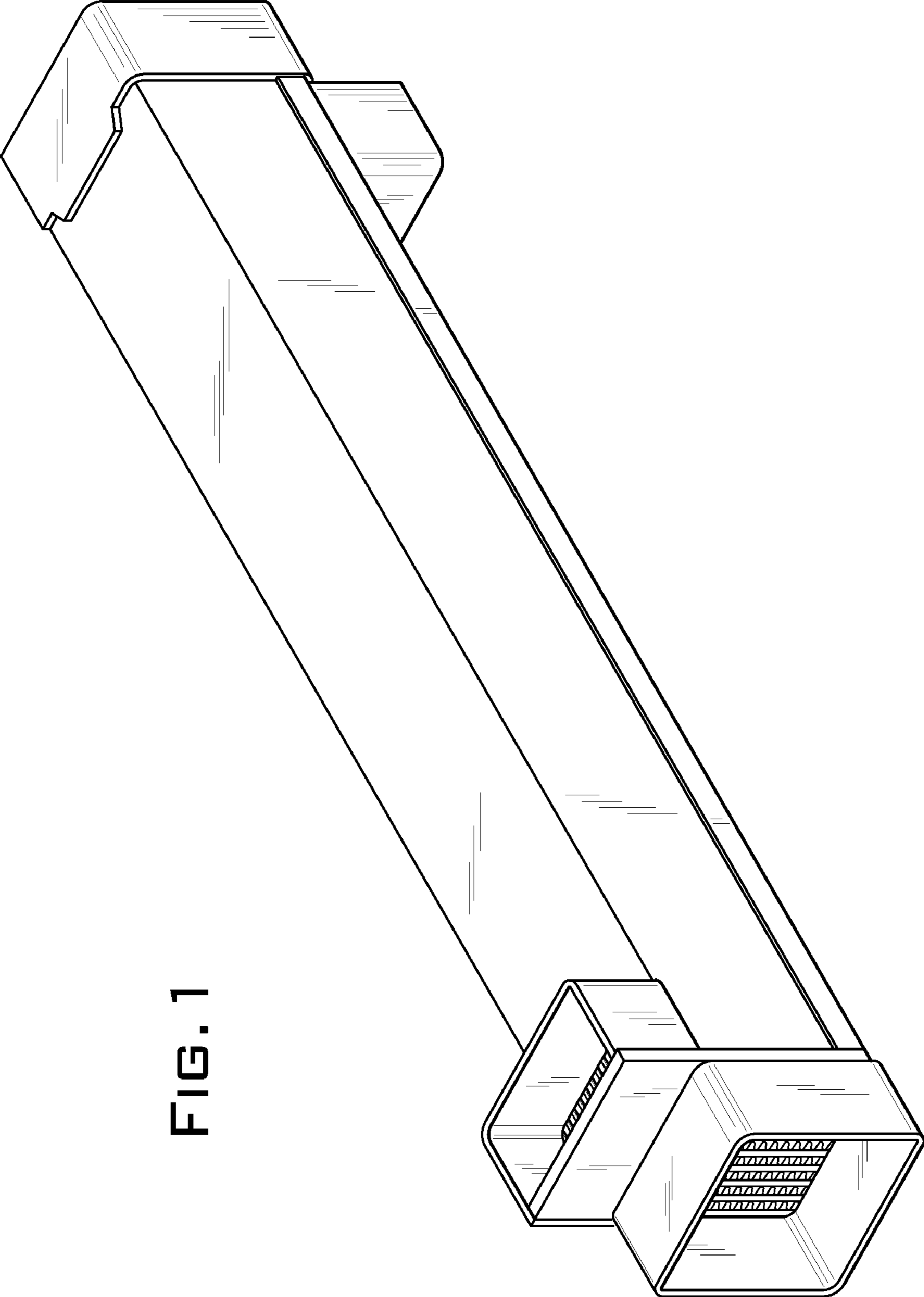


FIG. 1

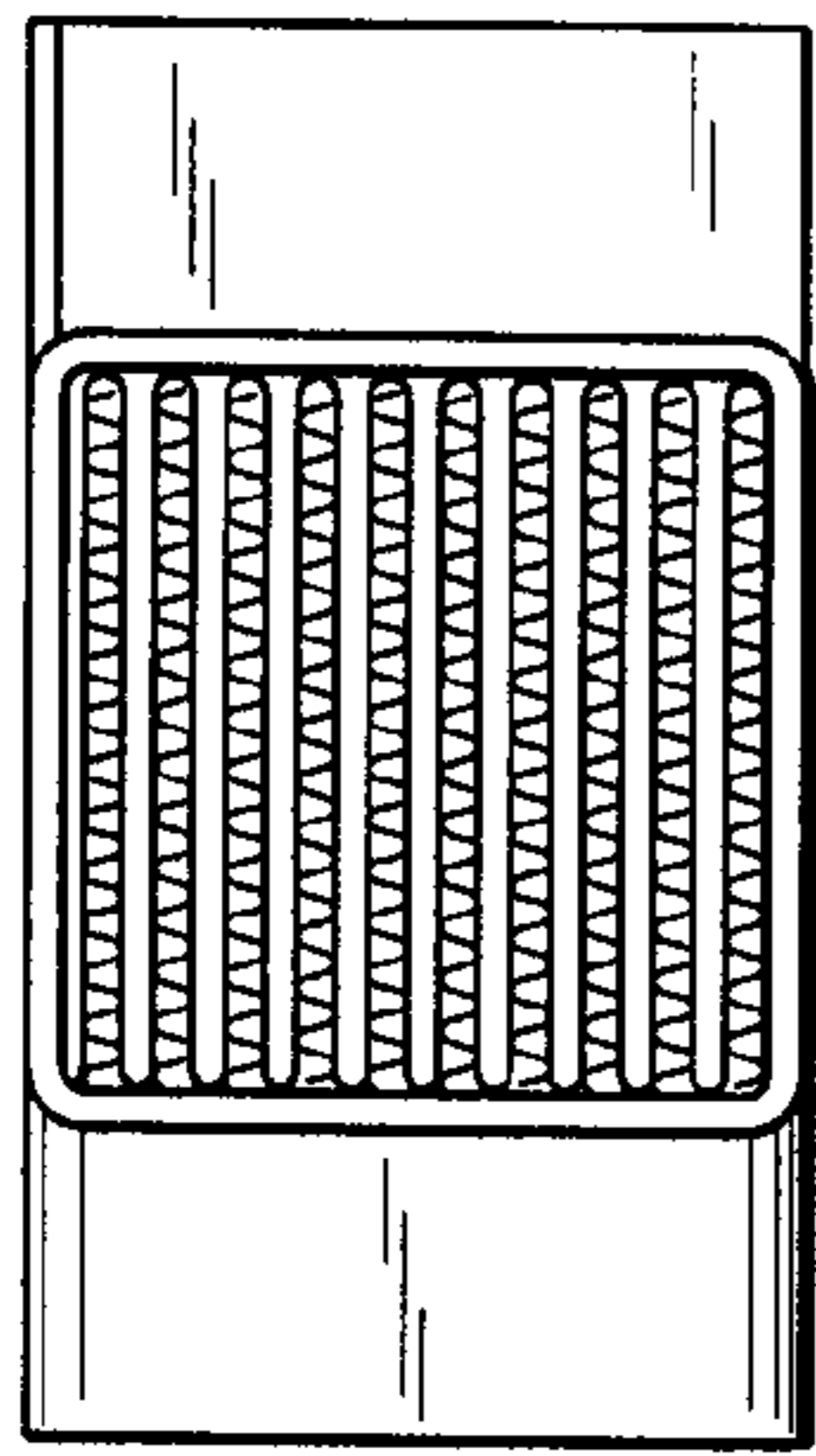


FIG. 2

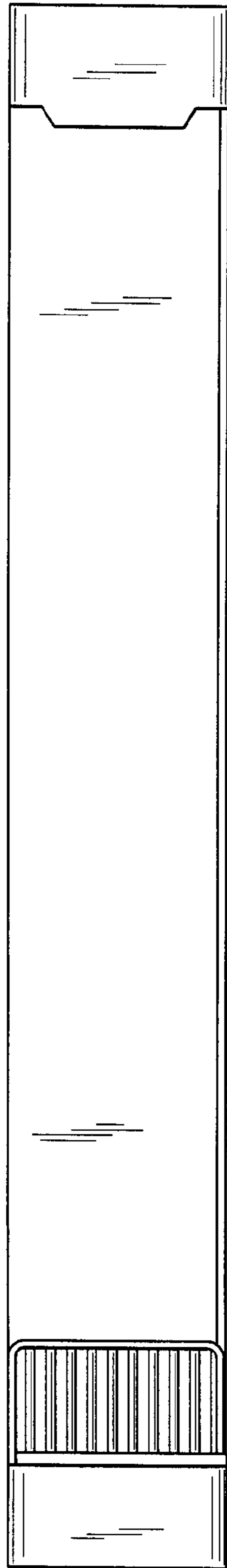


FIG. 3

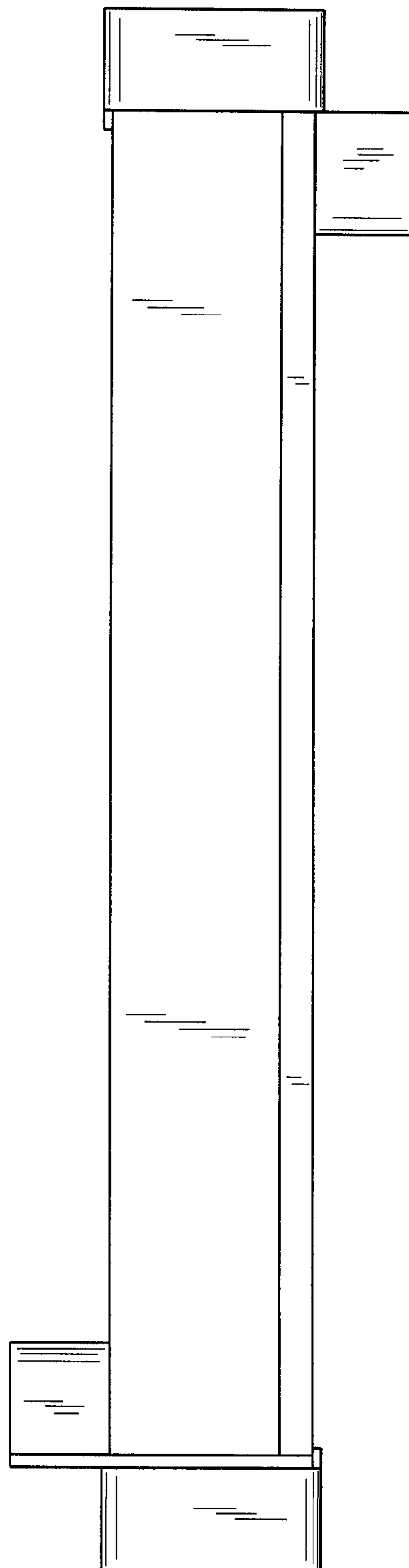


FIG. 4

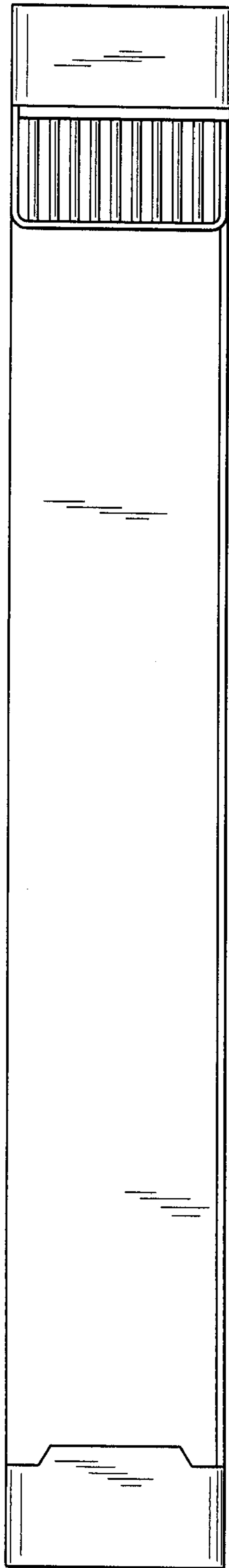


FIG. 5

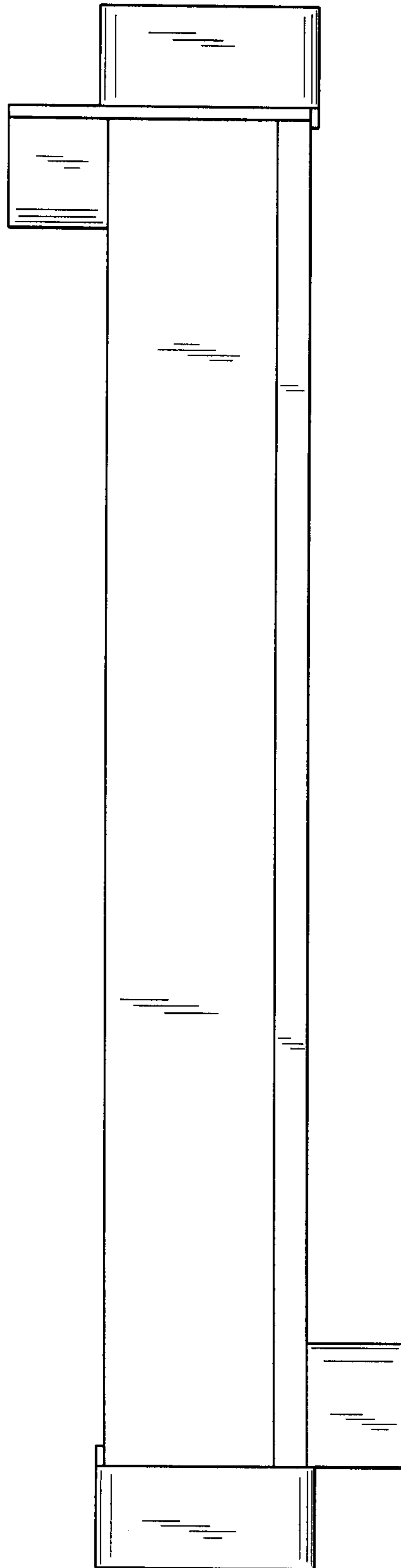


FIG. 6

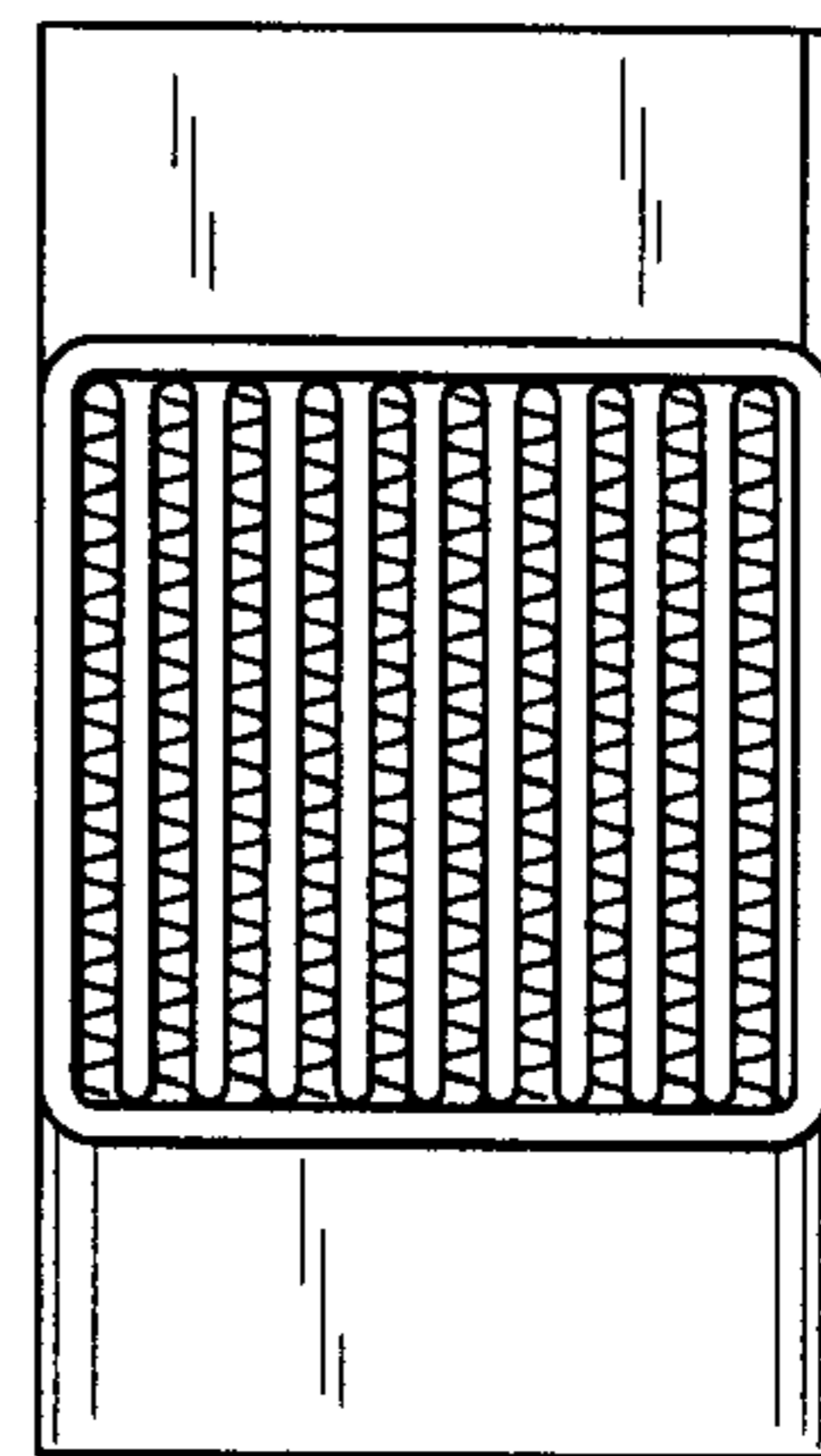


FIG. 7