



US00D579100S

(12) **United States Design Patent**
Lin

(10) **Patent No.:** **US D579,100 S**
(45) **Date of Patent:** **** Oct. 21, 2008**

(54) **BLOWER**

(76) Inventor: **Jen-Wei Lin**, No. 21-12, Chung-Jou Rd.
Hou-Li, Taishung, Hsien (TW)

(**) Term: **14 Years**

(21) Appl. No.: **29/298,315**

(22) Filed: **Dec. 3, 2007**

(51) **LOC (8) Cl.** **23-04**

(52) **U.S. Cl.** **D23/383**

(58) **Field of Classification Search** D23/383,
D23/370; 415/204, 206, 213.1, 214.1
See application file for complete search history.

(56) **References Cited**

U.S. PATENT DOCUMENTS

D503,788 S	*	4/2005	Wang et al.	D23/383
D510,995 S	*	10/2005	Tam	D23/383
D511,826 S	*	11/2005	Demirdjian et al.	D23/383
D546,438 S	*	7/2007	Demirdjian et al.	D23/383

* cited by examiner

Primary Examiner—Lisa P Lichtenstein

(74) *Attorney, Agent, or Firm*—Fitzpatrick, Cella, Harper & Scinto

(57) **CLAIM**

The ornamental design for a blower, as shown and described.

DESCRIPTION

FIG. 1 is a perspective view of a blower showing my new design;

FIG. 2 is a front elevational view thereof;

FIG. 3 is a rear elevational view thereof;

FIG. 4 is a left side elevational view thereof;

FIG. 5 is a right side elevational view thereof;

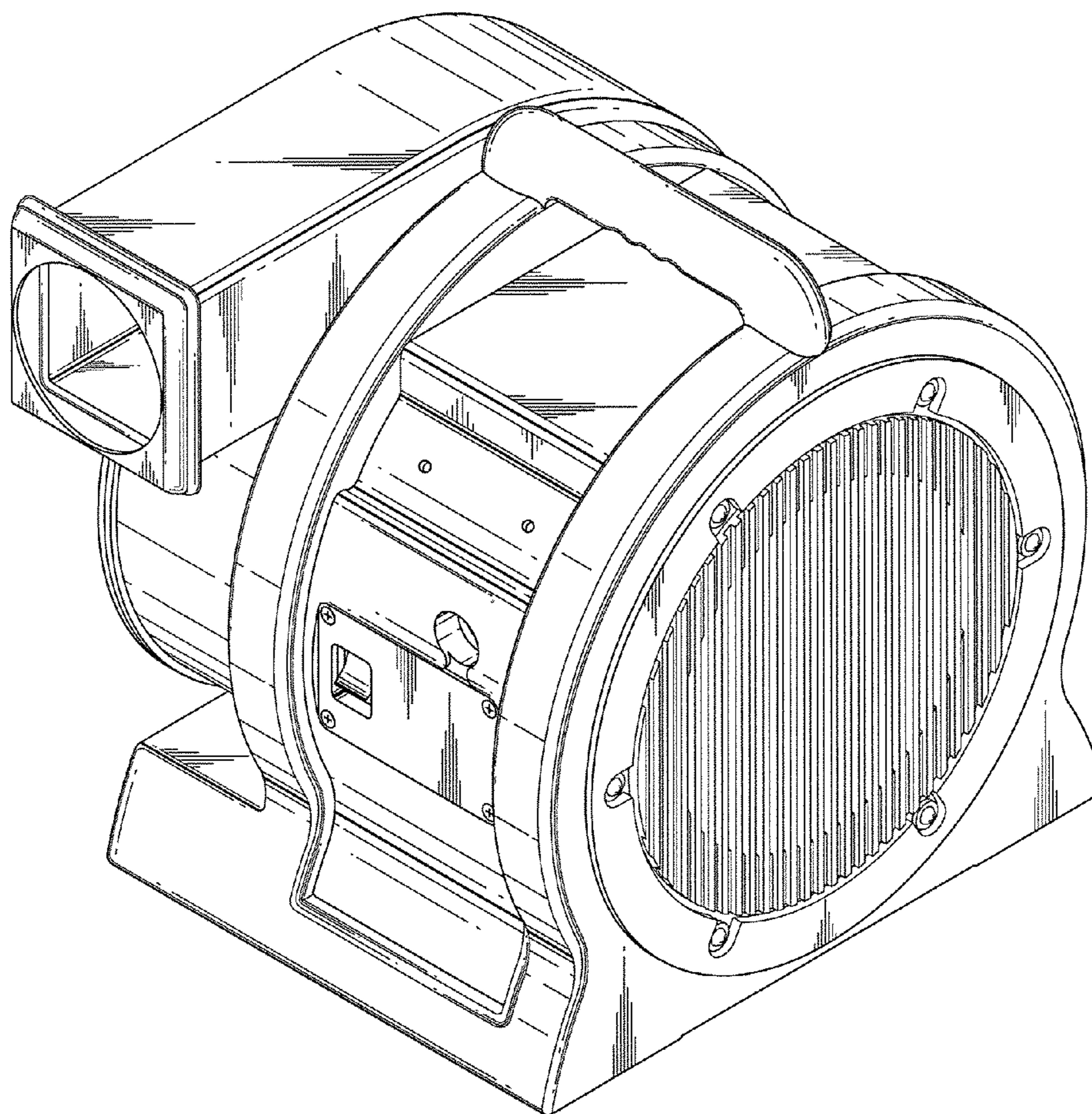
FIG. 6 is a top plan view thereof;

FIG. 7 is a bottom plan view thereof;

FIG. 8 is another perspective view; and,

FIG. 9 is an enlarged fragmentary sectional view taken along line 9—9 in FIG. 8.

1 Claim, 9 Drawing Sheets



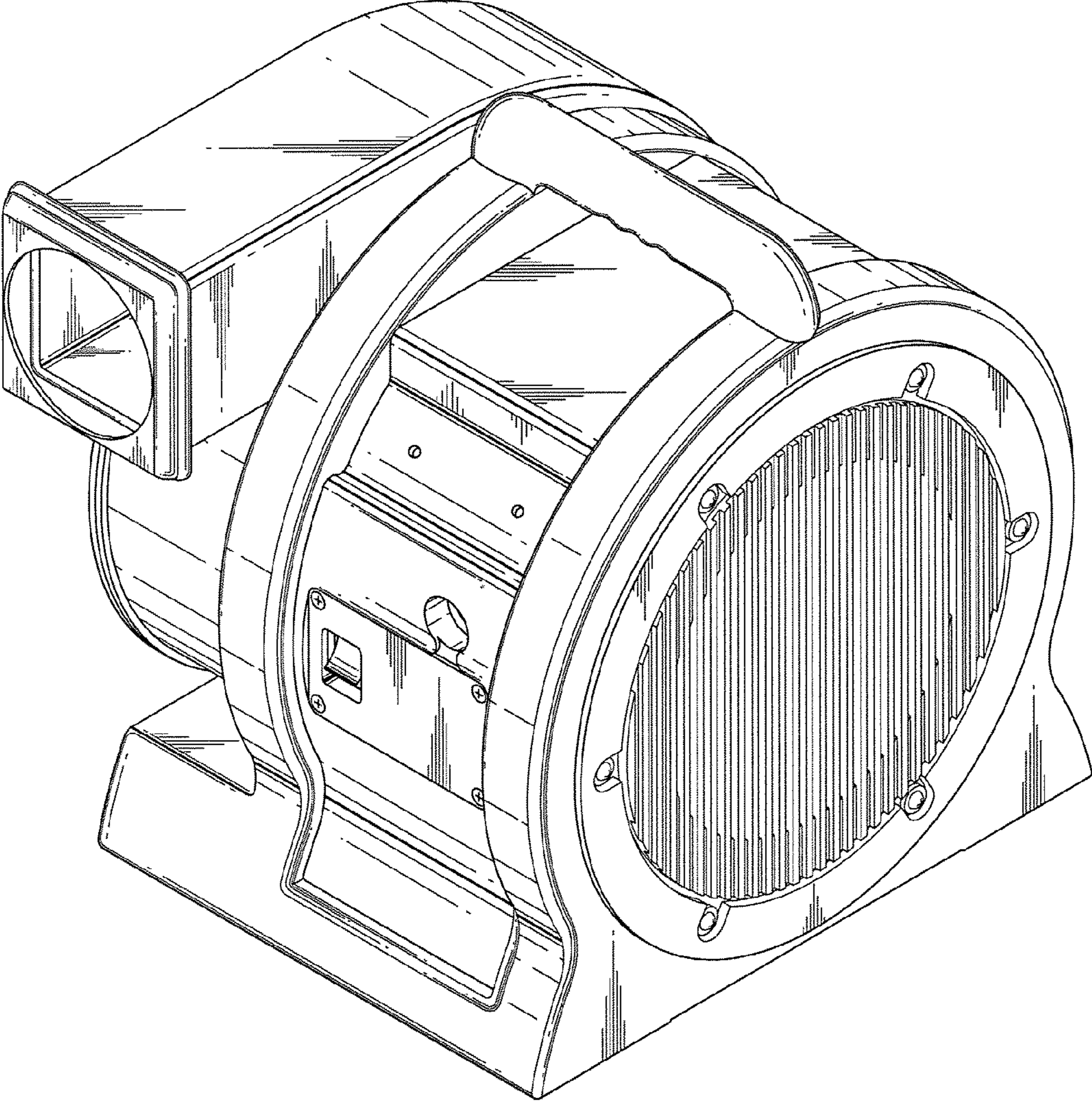


FIG. 1

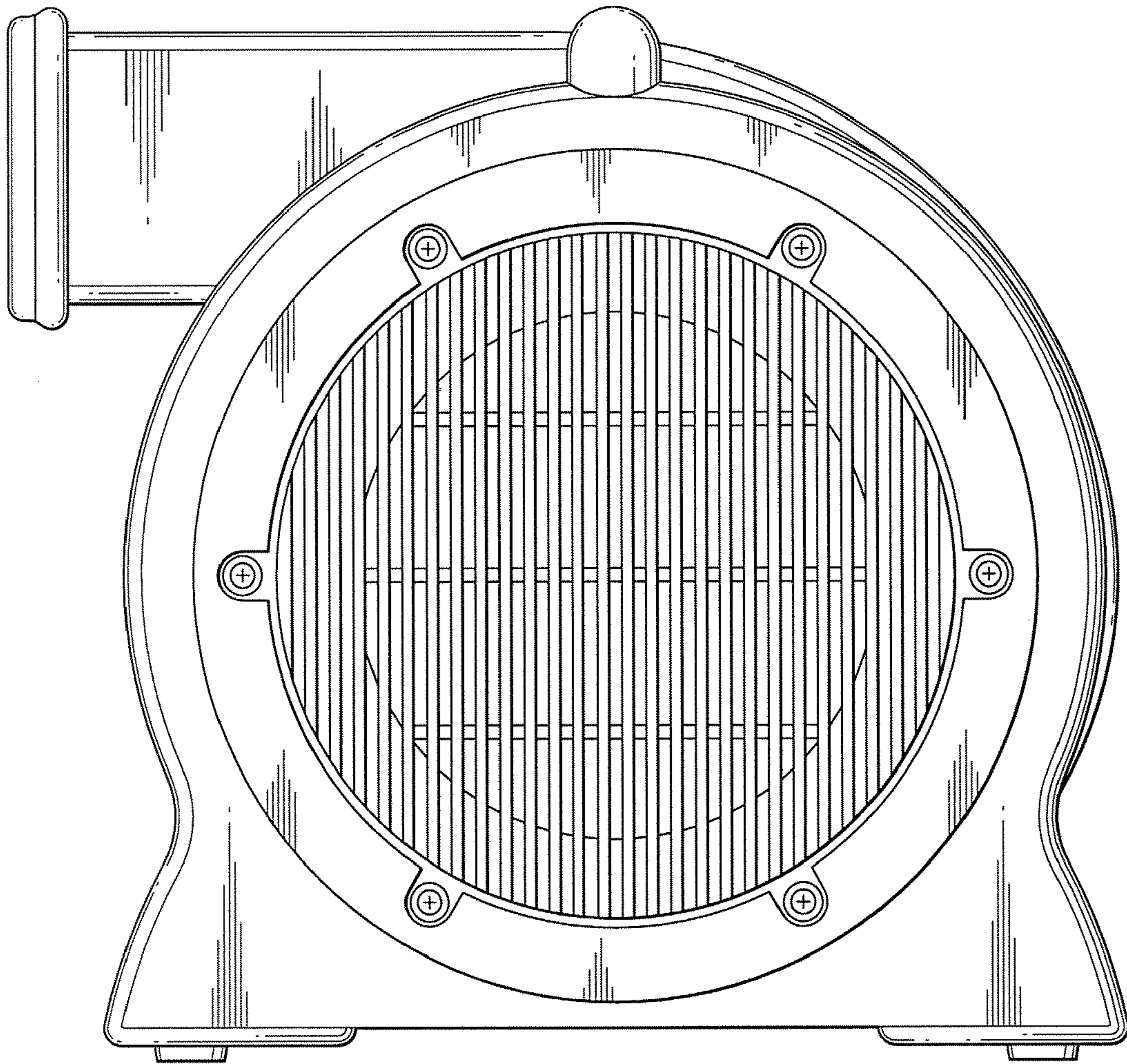


FIG. 2

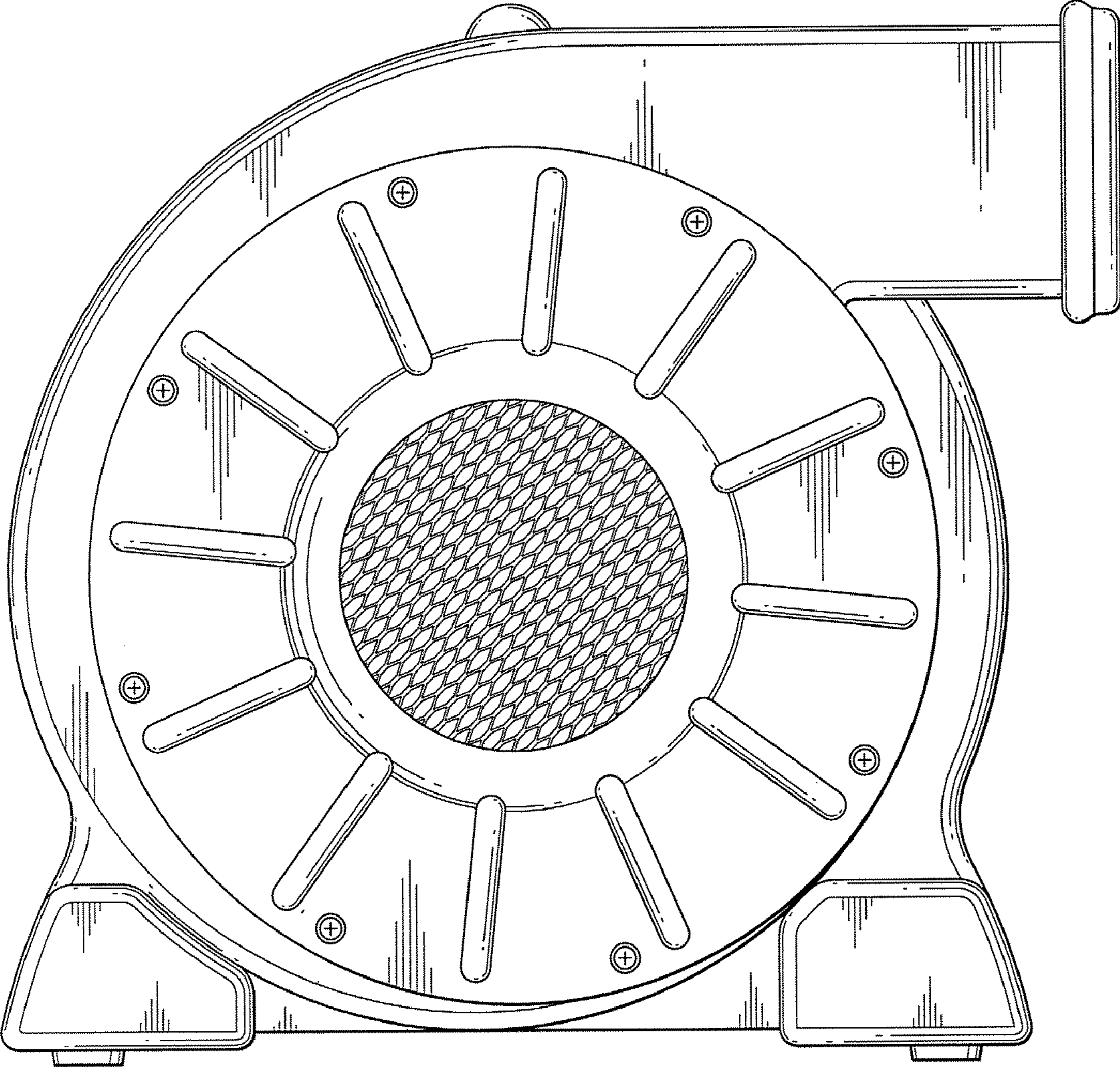


FIG. 3

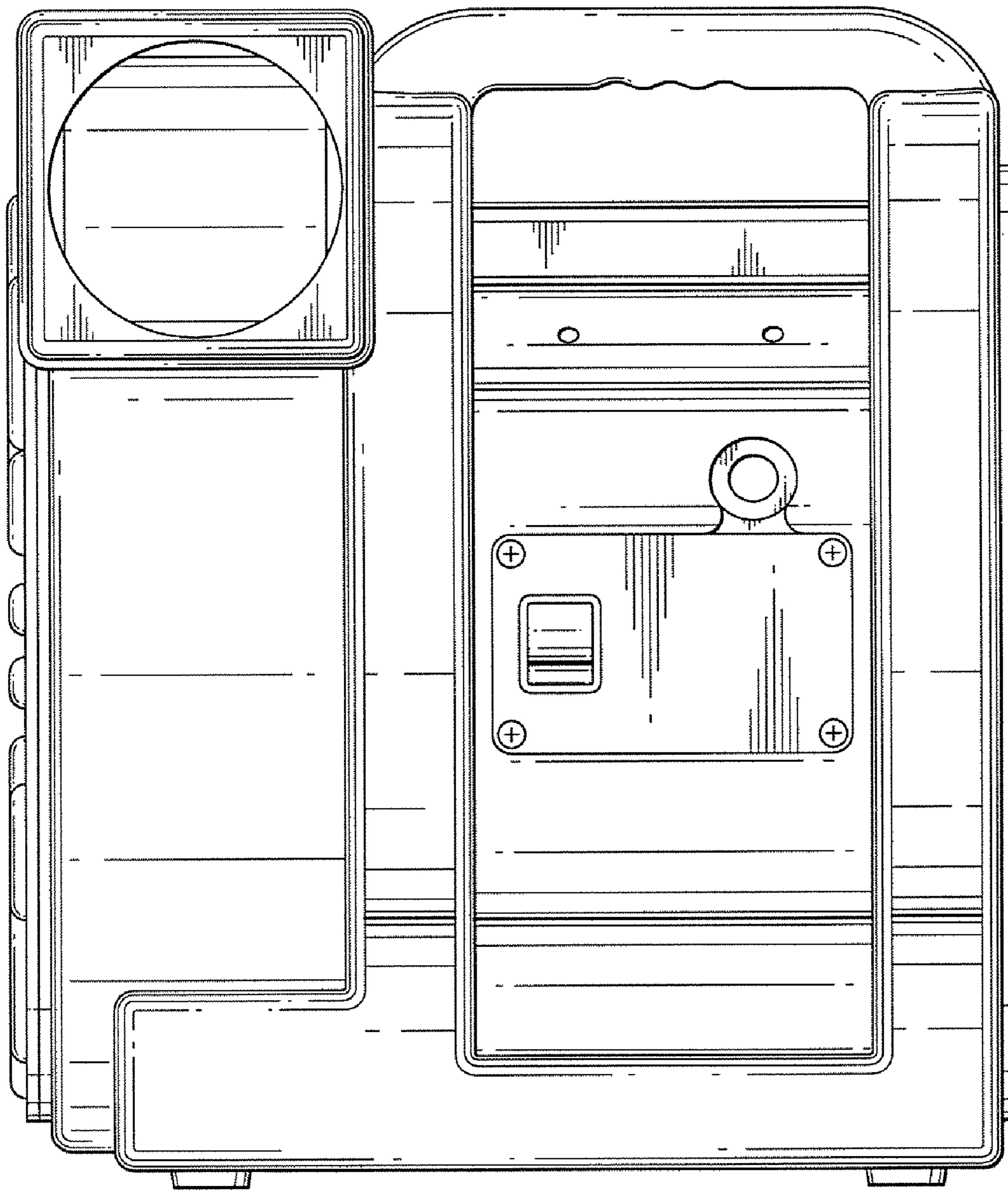


FIG. 4

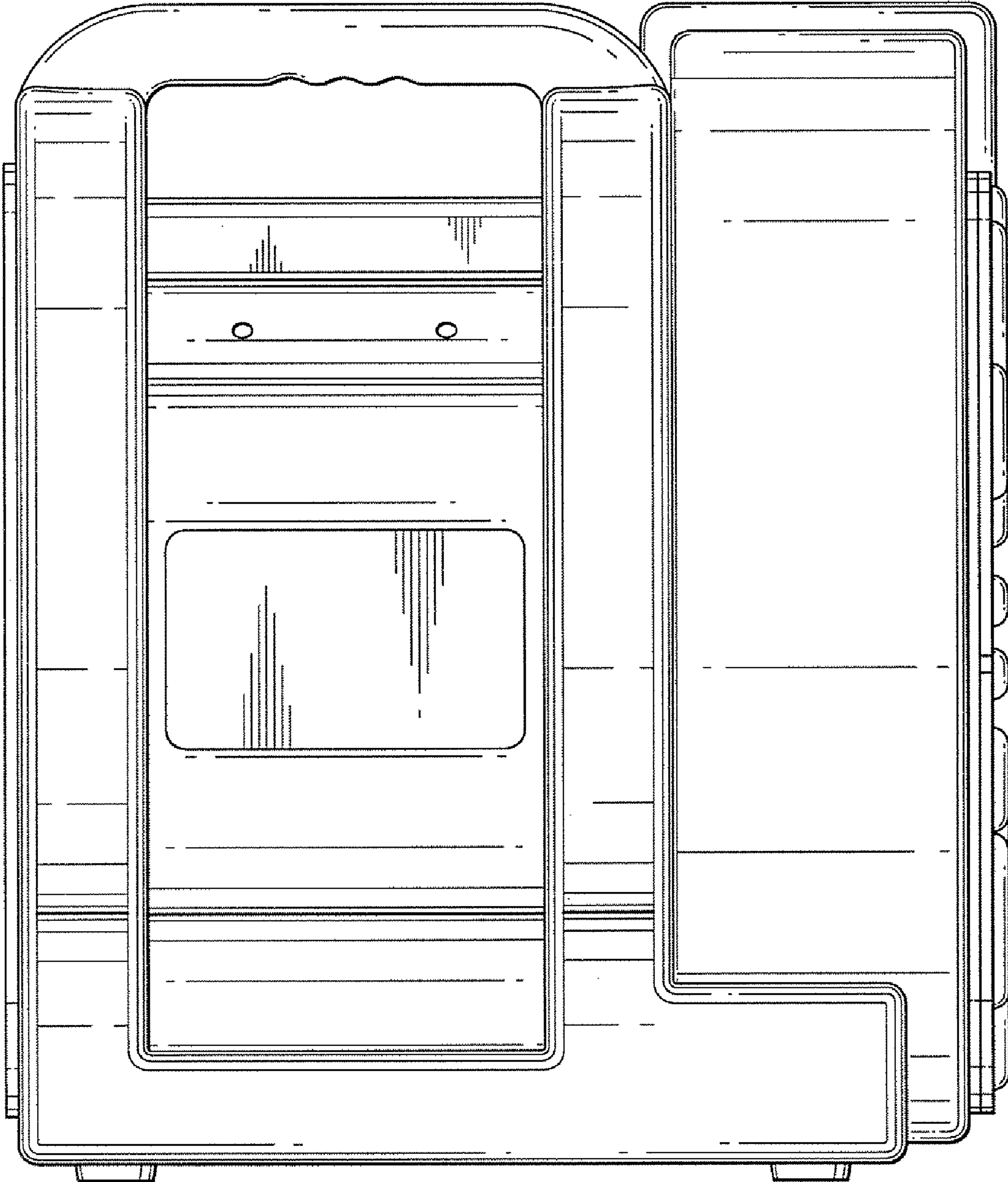


FIG. 5

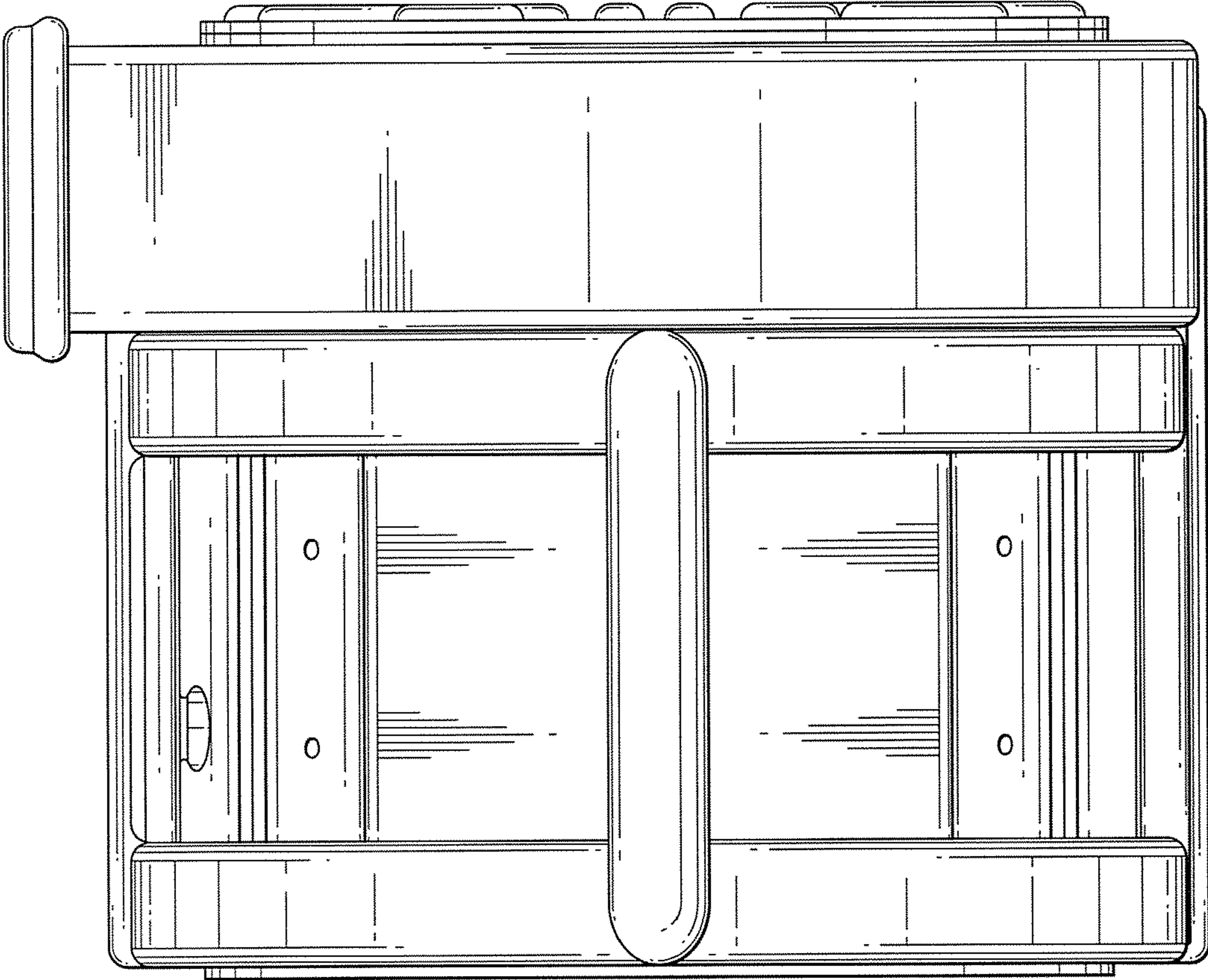


FIG. 6

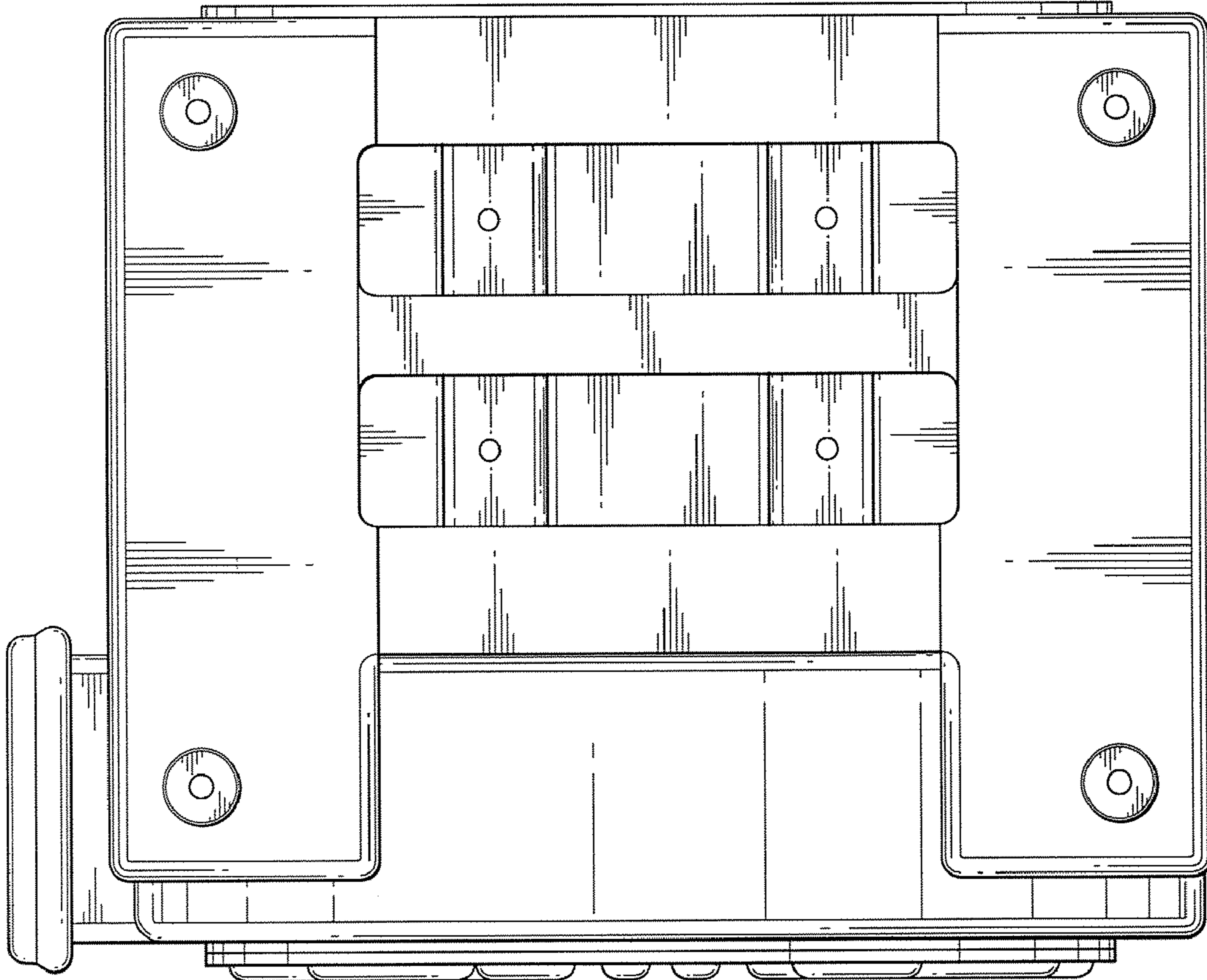


FIG. 7

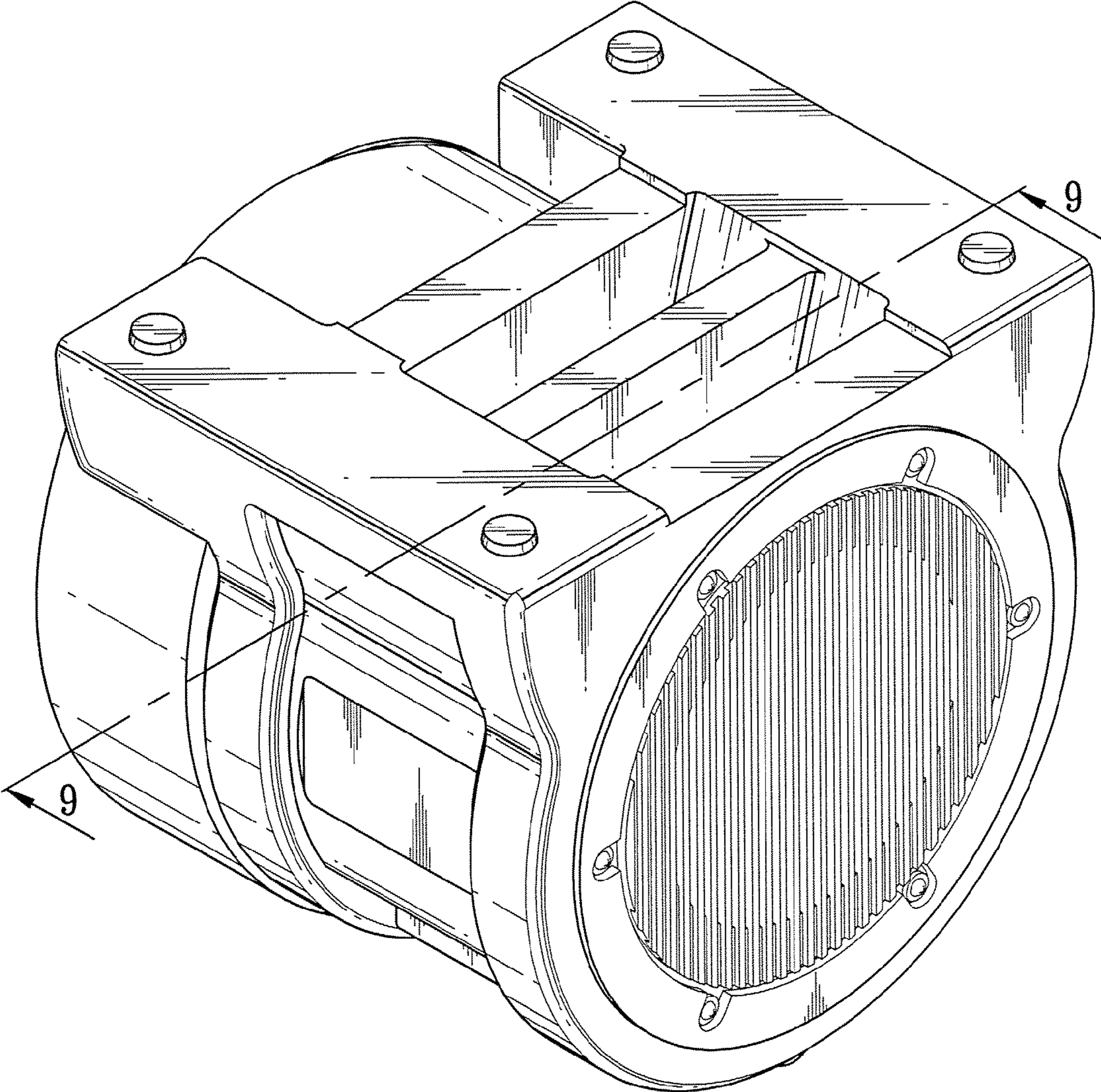


FIG. 8

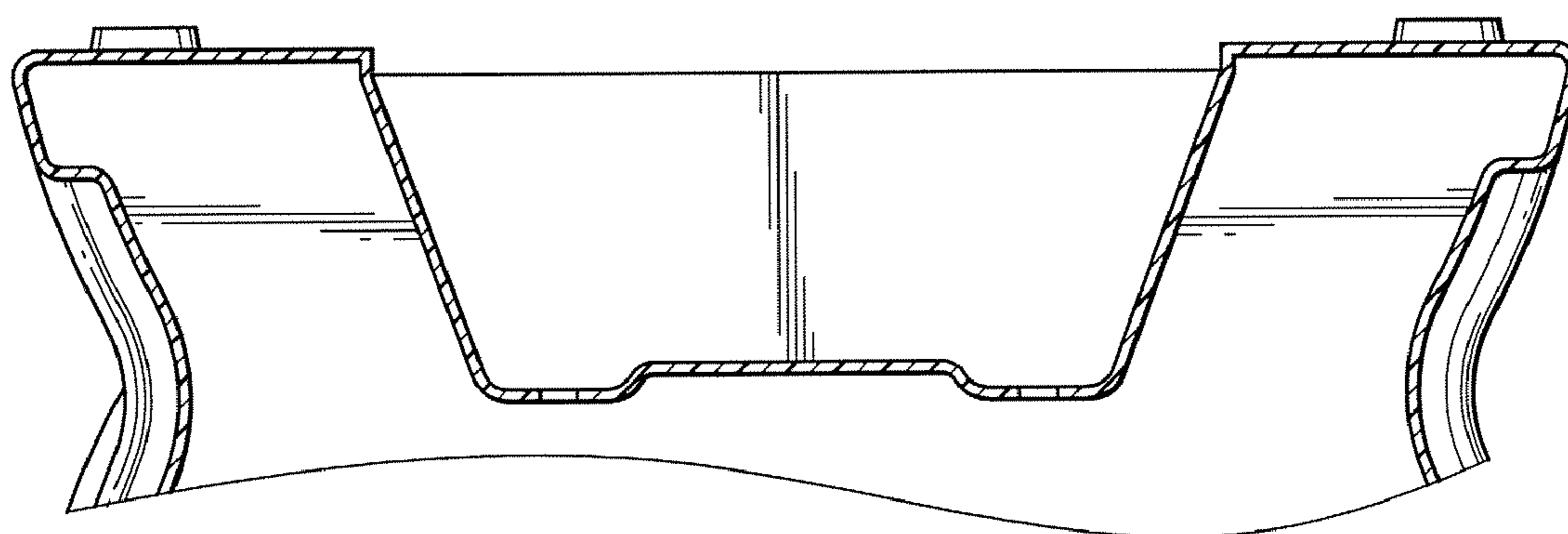


FIG. 9