



US00D579099S

(12) **United States Design Patent**
Brown et al.

(10) **Patent No.:** **US D579,099 S**
(45) **Date of Patent:** **** Oct. 21, 2008**

(54) **FAN**

(76) Inventors: **Fred A. Brown**, 55 Delaport Pl.,
Coronado, CA (US) 92118; **Philip J.
Bowen**, 10448 Parkdale Ave., San Diego,
CA (US) 92126

(**) Term: **14 Years**

(21) Appl. No.: **29/226,401**

(22) Filed: **Mar. 28, 2005**

(51) **LOC (8) Cl.** **23-04**

(52) **U.S. Cl.** **D23/382**

(58) **Field of Classification Search** D23/382,
D23/381, 332, 370, 411, 412; 416/246 R,
416/247 R, 244 R

See application file for complete search history.

(56) **References Cited**

U.S. PATENT DOCUMENTS

- D70,930 S * 8/1926 Xippas D23/377
- D218,429 S * 8/1970 Yotsukura D23/382
- D311,772 S * 10/1990 Yang D23/378
- D463,542 S * 9/2002 Marchiano et al. D23/382

OTHER PUBLICATIONS

Hammacher Schlemmer & Company, Inc. webpage.

* cited by examiner

Primary Examiner—Lisa P Lichtenstein

(57) **CLAIM**

The ornamental design for a fan, as shown and described.

DESCRIPTION

FIG. 1 shows an elevated top view of a first embodiment of the design.

FIG. 2 shows an elevated bottom view of the embodiment of FIG. 1.

FIG. 3 shows a top plan view of the embodiment of FIG. 1.

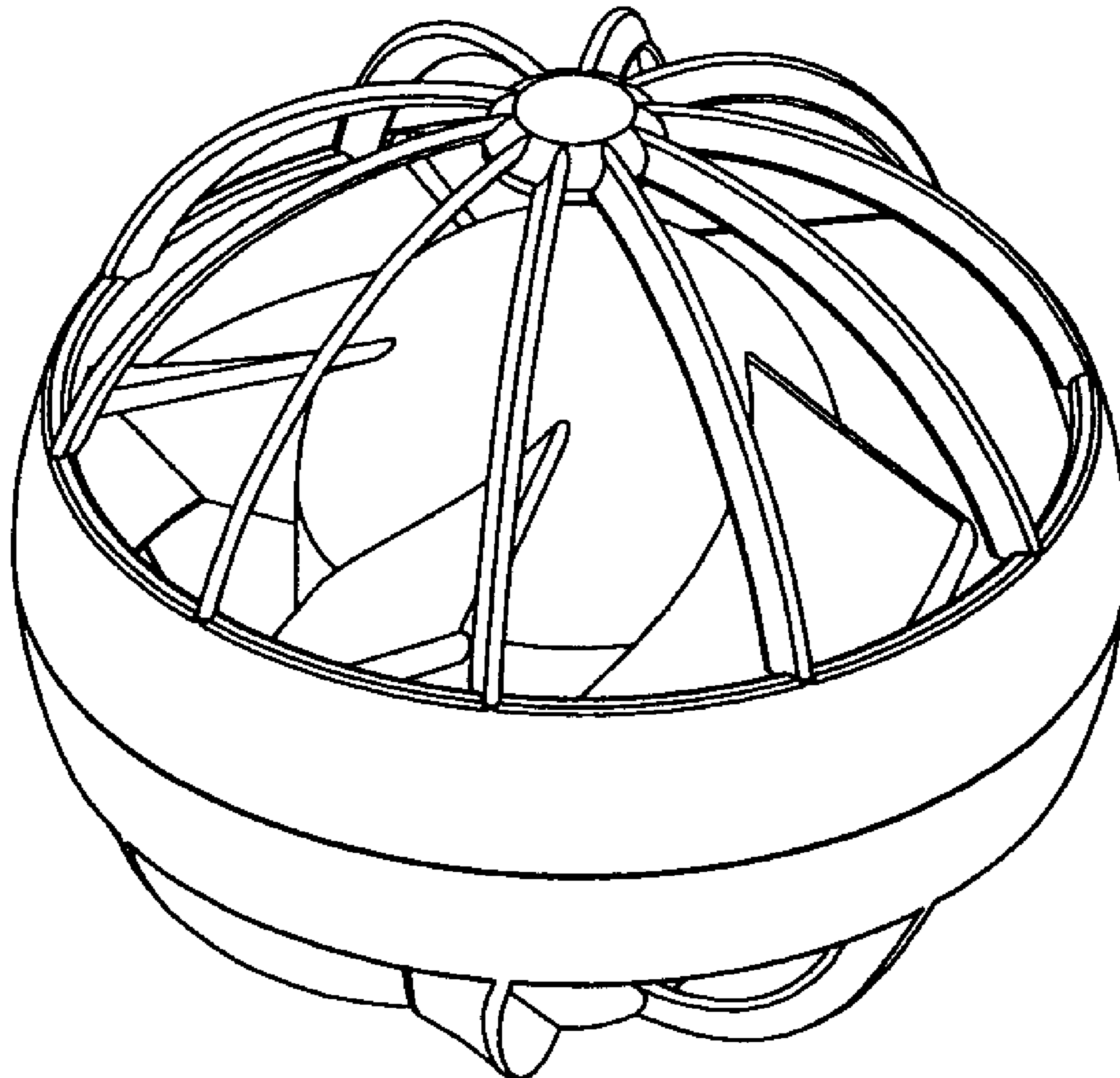
FIG. 4 shows a bottom plan view of the embodiment of FIG. 1.

FIG. 5 shows a front view of the embodiment of FIG. 1.

FIG. 6 shows a left side view of the embodiment of FIG. 1; and,

FIG. 7 shows a right side view of the embodiment of FIG. 1.

1 Claim, 7 Drawing Sheets



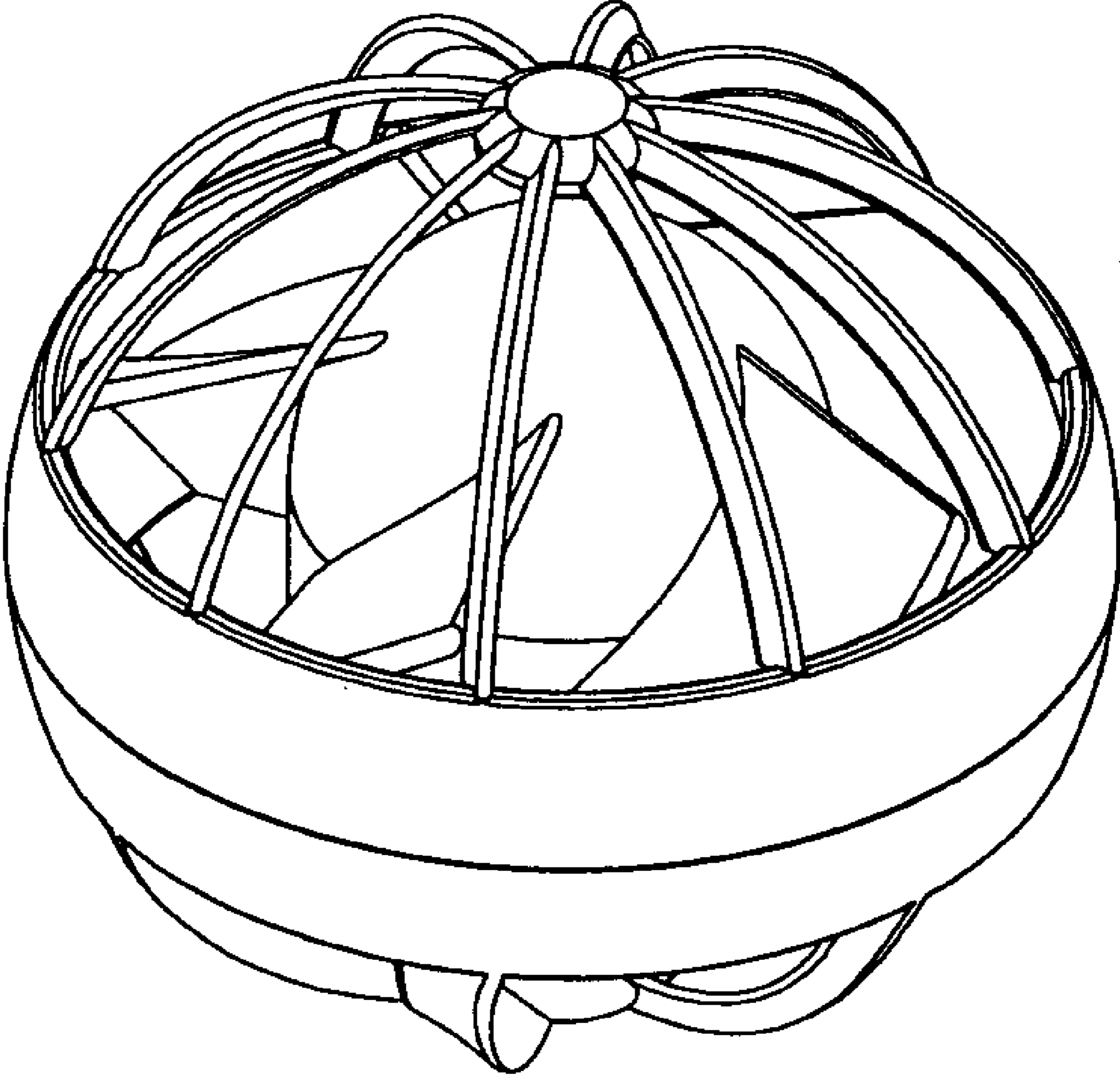


Fig. 1

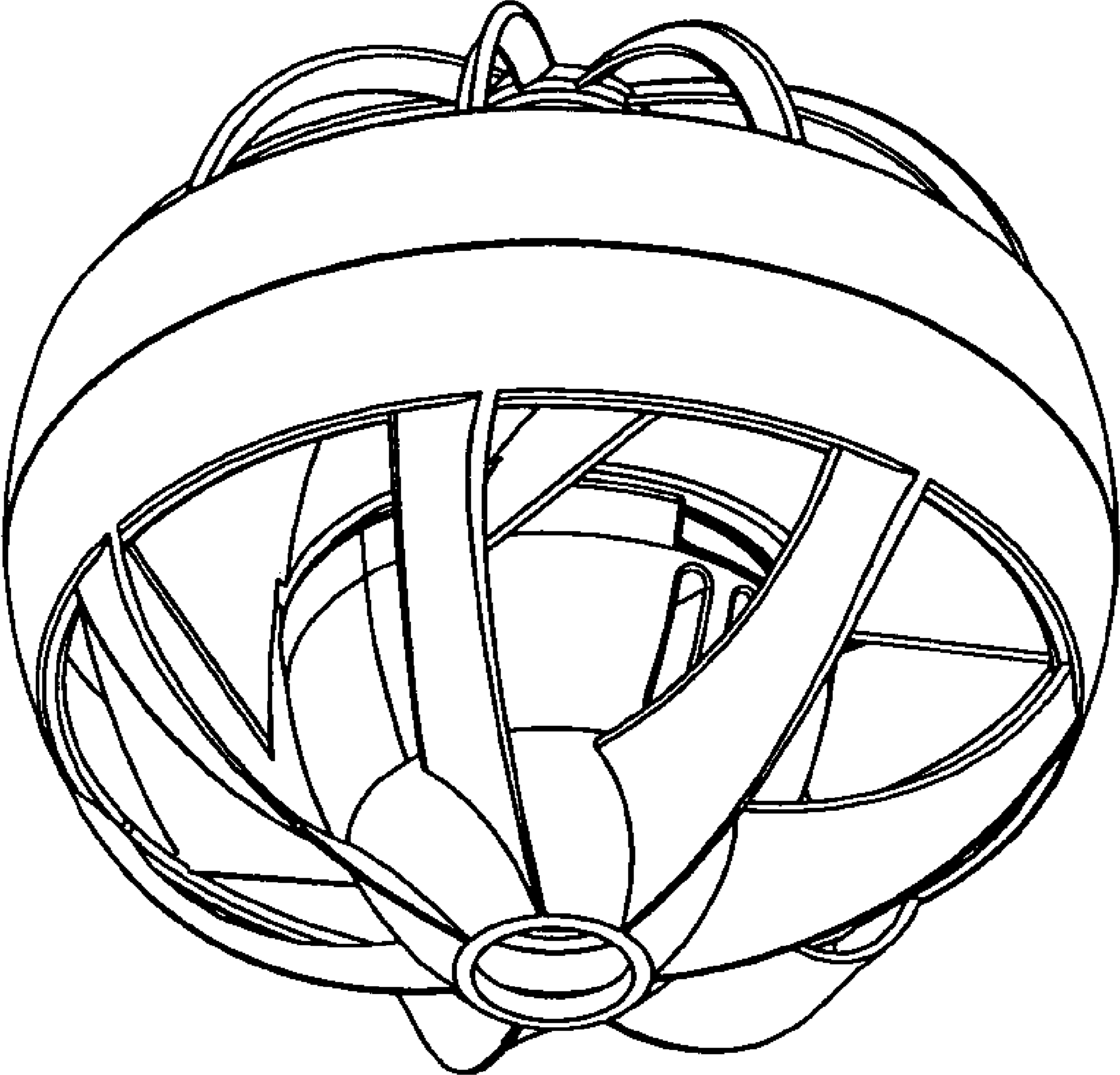


Fig. 2

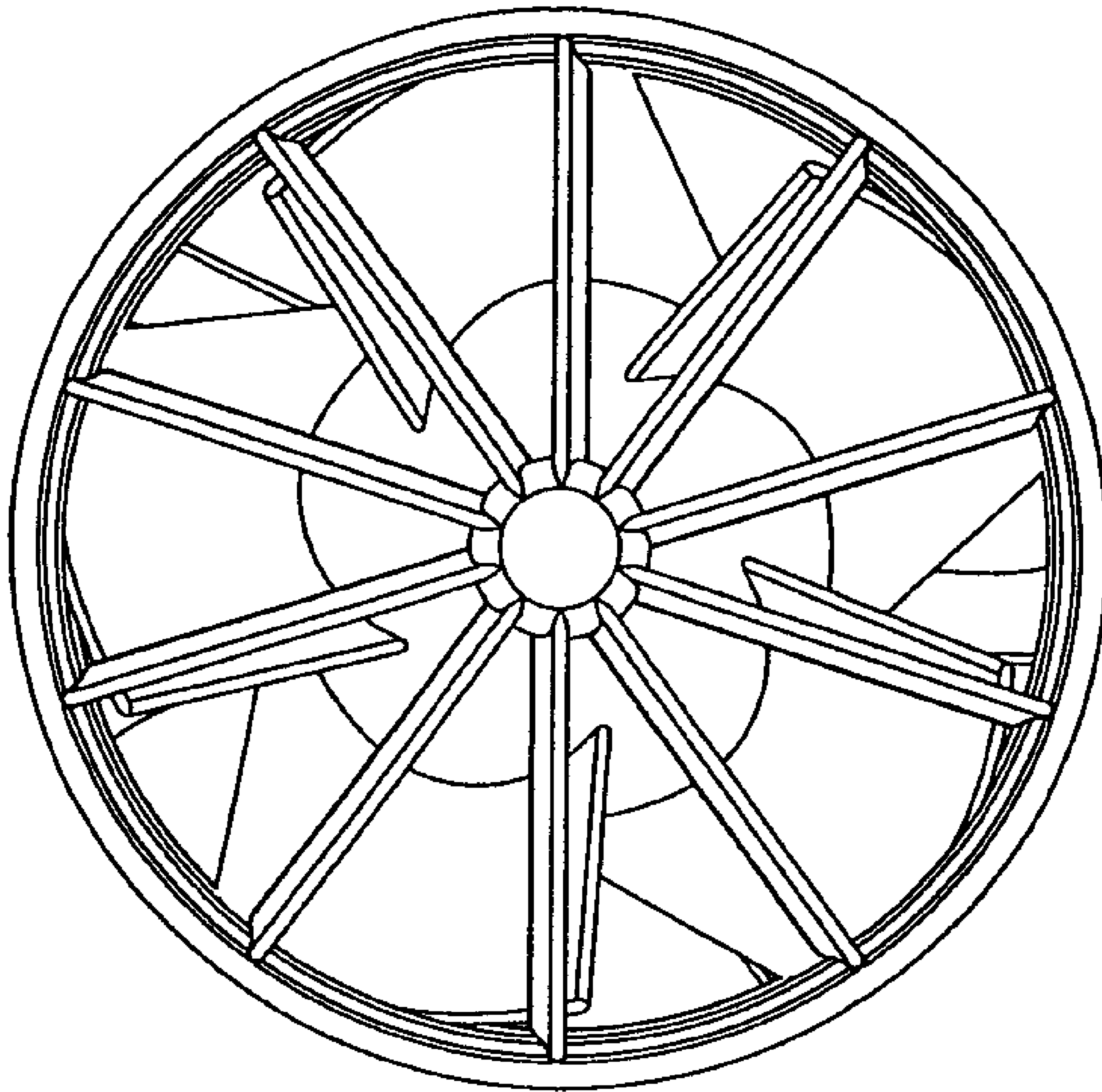


Fig. 3

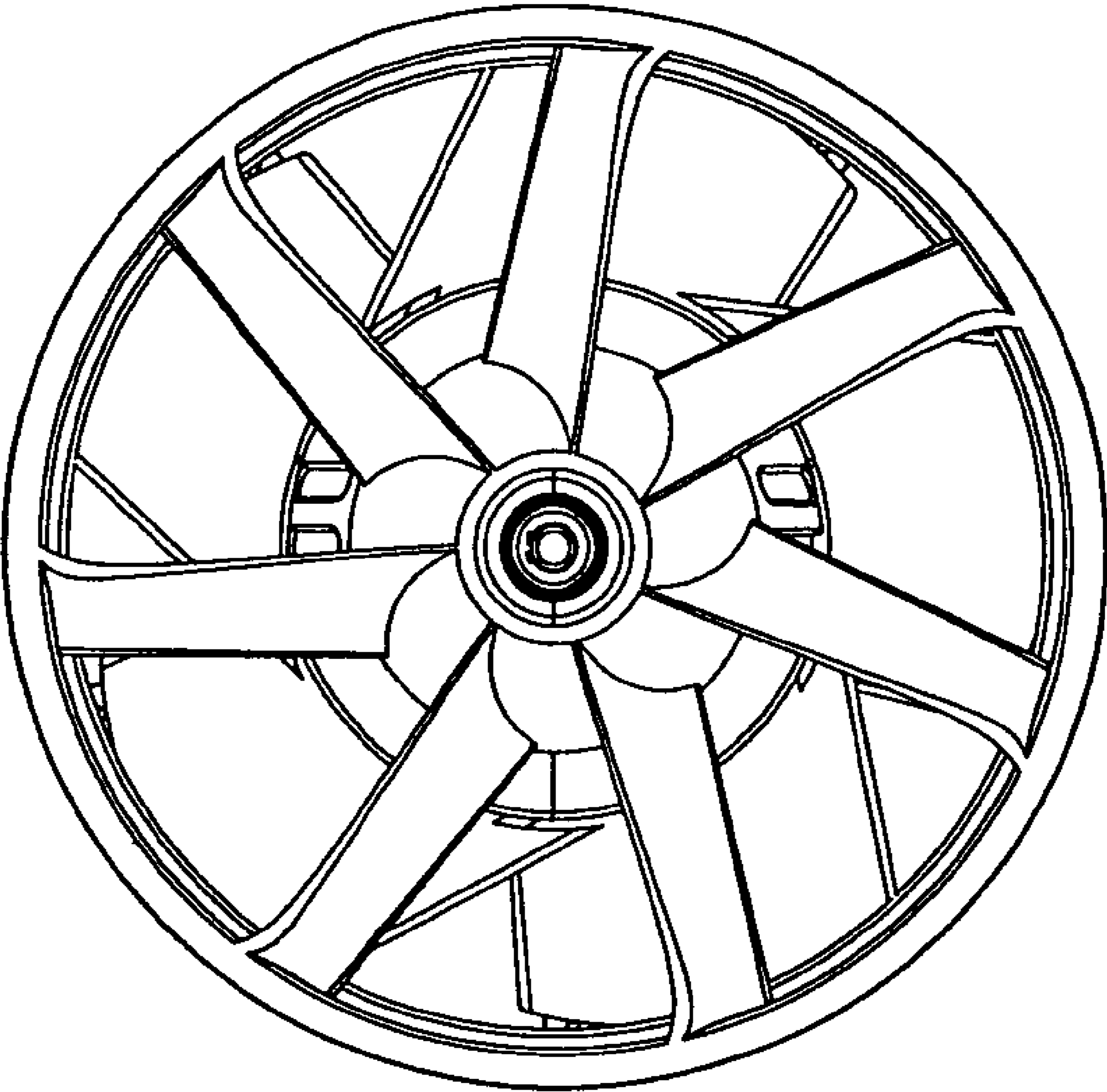


Fig. 4

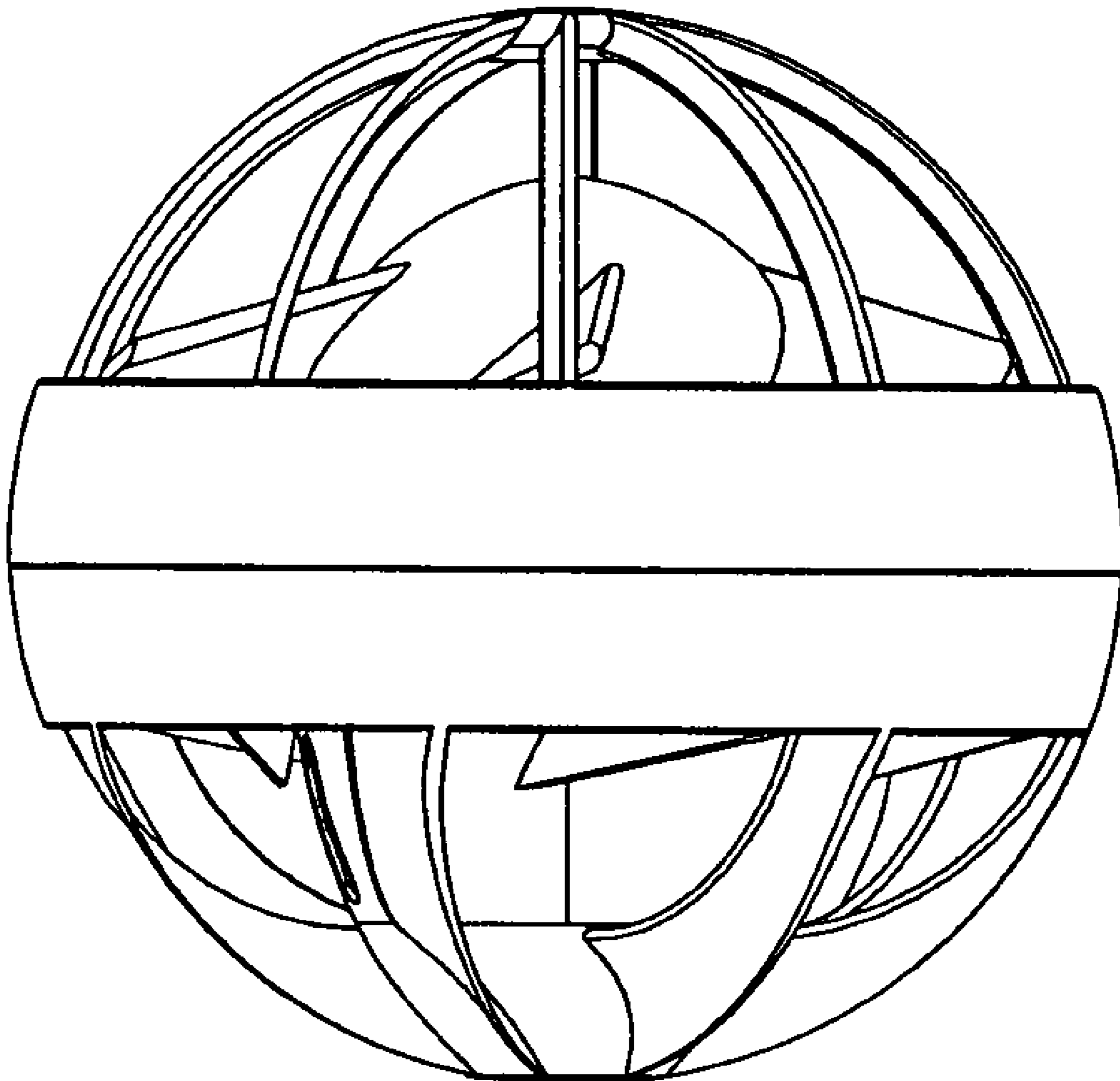


Fig. 5

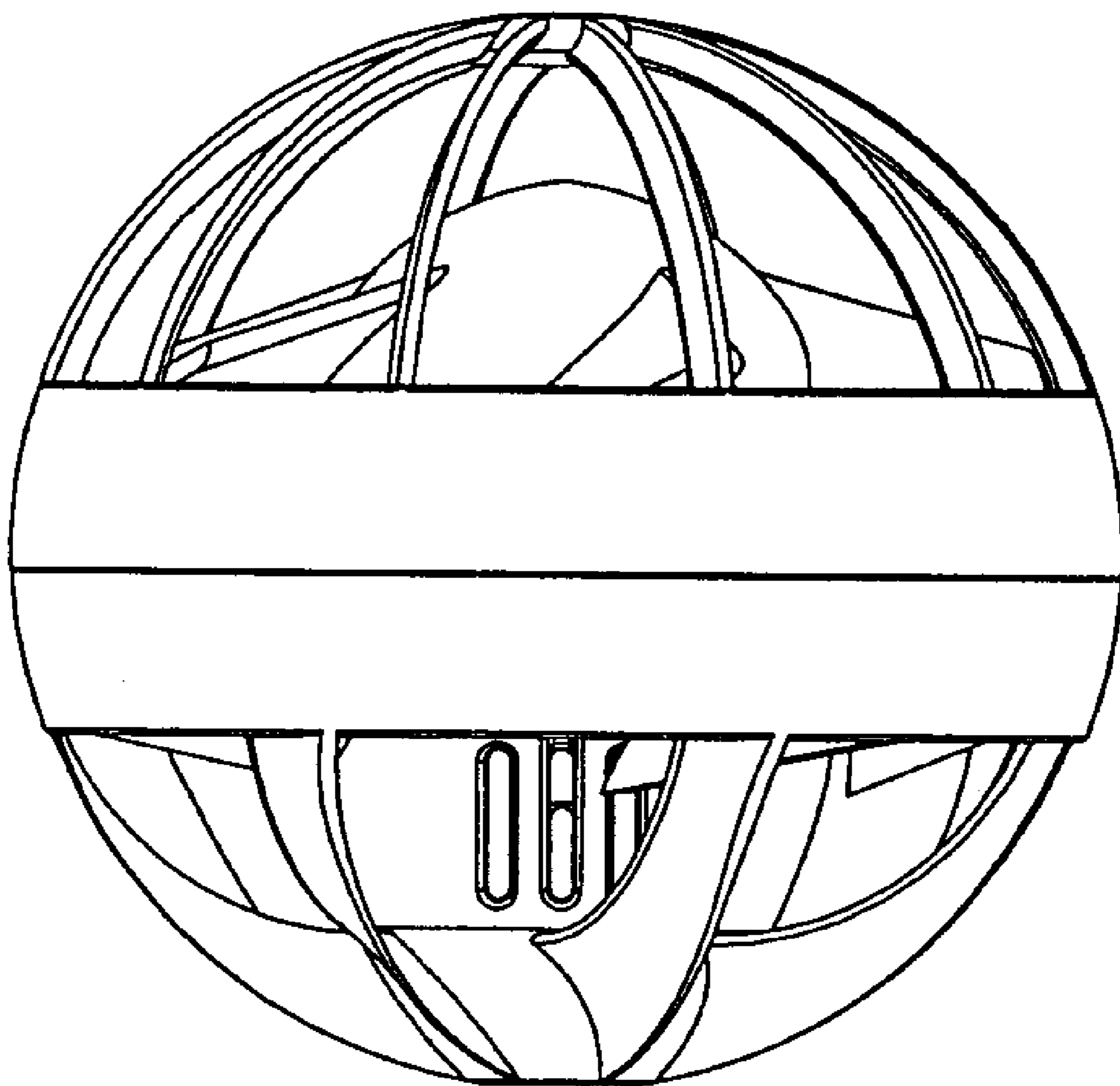


Fig. 6

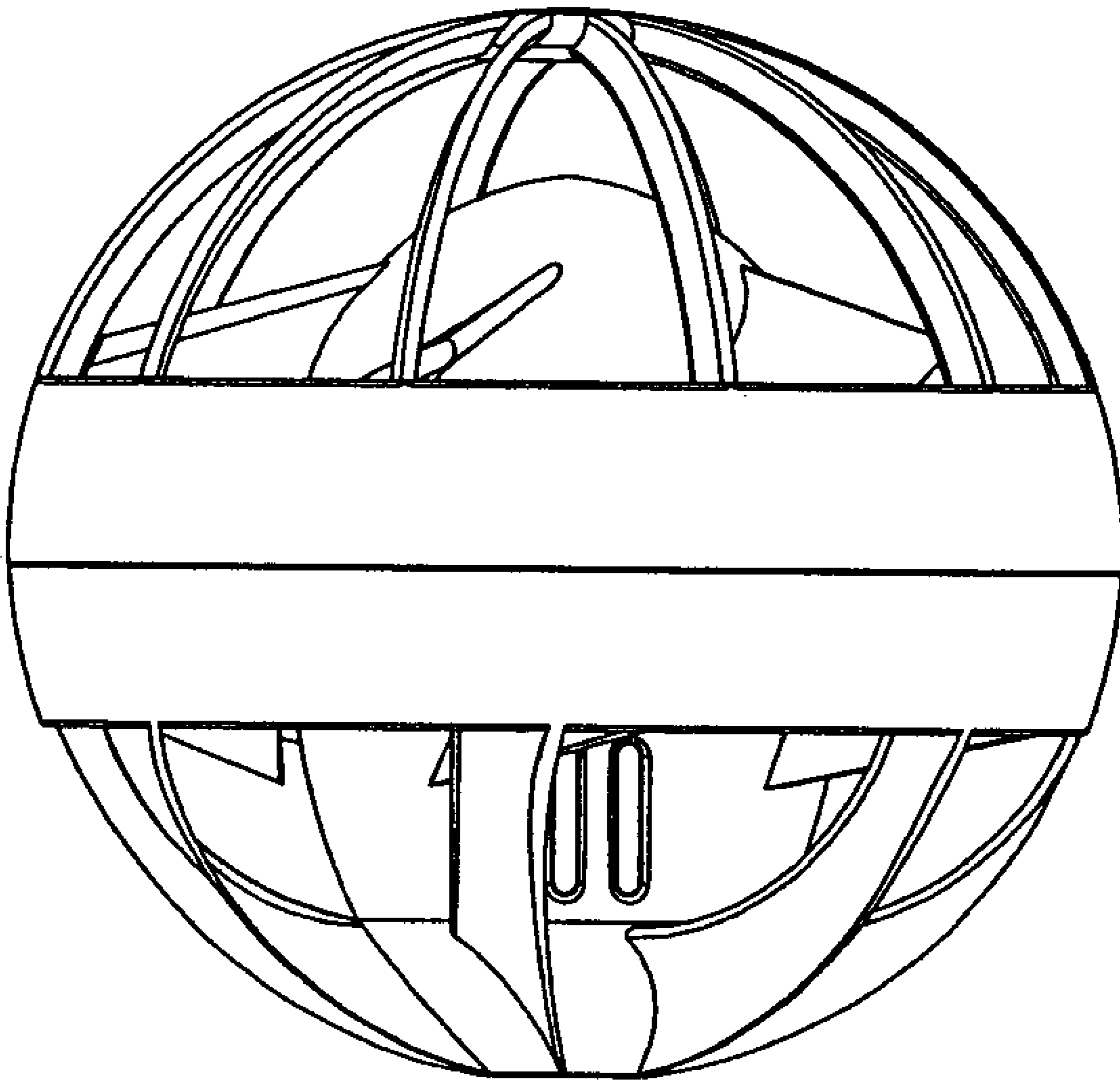


Fig. 7