



US00D579098S

(12) **United States Design Patent**
Hidalgo

(10) **Patent No.:** **US D579,098 S**

(45) **Date of Patent:** **** Oct. 21, 2008**

(54) **CEILING FAN**

(75) Inventor: **Rolando Hidalgo**, Orange, CA (US)

(73) Assignee: **Minka Lighting, Inc.**, Corona, CA (US)

(**) Term: **14 Years**

(21) Appl. No.: **29/299,221**

(22) Filed: **Dec. 20, 2007**

(51) **LOC (8) Cl.** **23-04**

(52) **U.S. Cl.** **D23/377**

(58) **Field of Classification Search** D23/377,
D23/379, 385, 411, 413; 416/5

See application file for complete search history.

(56) **References Cited**

U.S. PATENT DOCUMENTS

D527,454 S	*	8/2006	Hidalgo	D23/411
D556,888 S	*	12/2007	Curtin	D23/411
D561,328 S	*	2/2008	Hidalgo	D23/411

OTHER PUBLICATIONS

Hunter Internet Catalog; Ashland; Model # 23907; printed from www.hansenwholesale.com on Apr. 25, 2007.

Craftmade Internet Catalog; Riata; Model #RT52RI; Printed from www.hansenwholesale.com on Apr. 25, 2007.

* cited by examiner

Primary Examiner—Lisa P Lichtenstein

(74) *Attorney, Agent, or Firm*—Baker & McKenzie LLP

(57) **CLAIM**

The ornamental design for a ceiling fan, as shown and described.

DESCRIPTION

FIG. 1 is a bottom perspective view of a ceiling fan in accordance with my design;

FIG. 2 is a reduced top plan view of the ceiling fan in accordance with my design;

FIG. 3 is a reduced bottom plan view of the ceiling fan in accordance with my design;

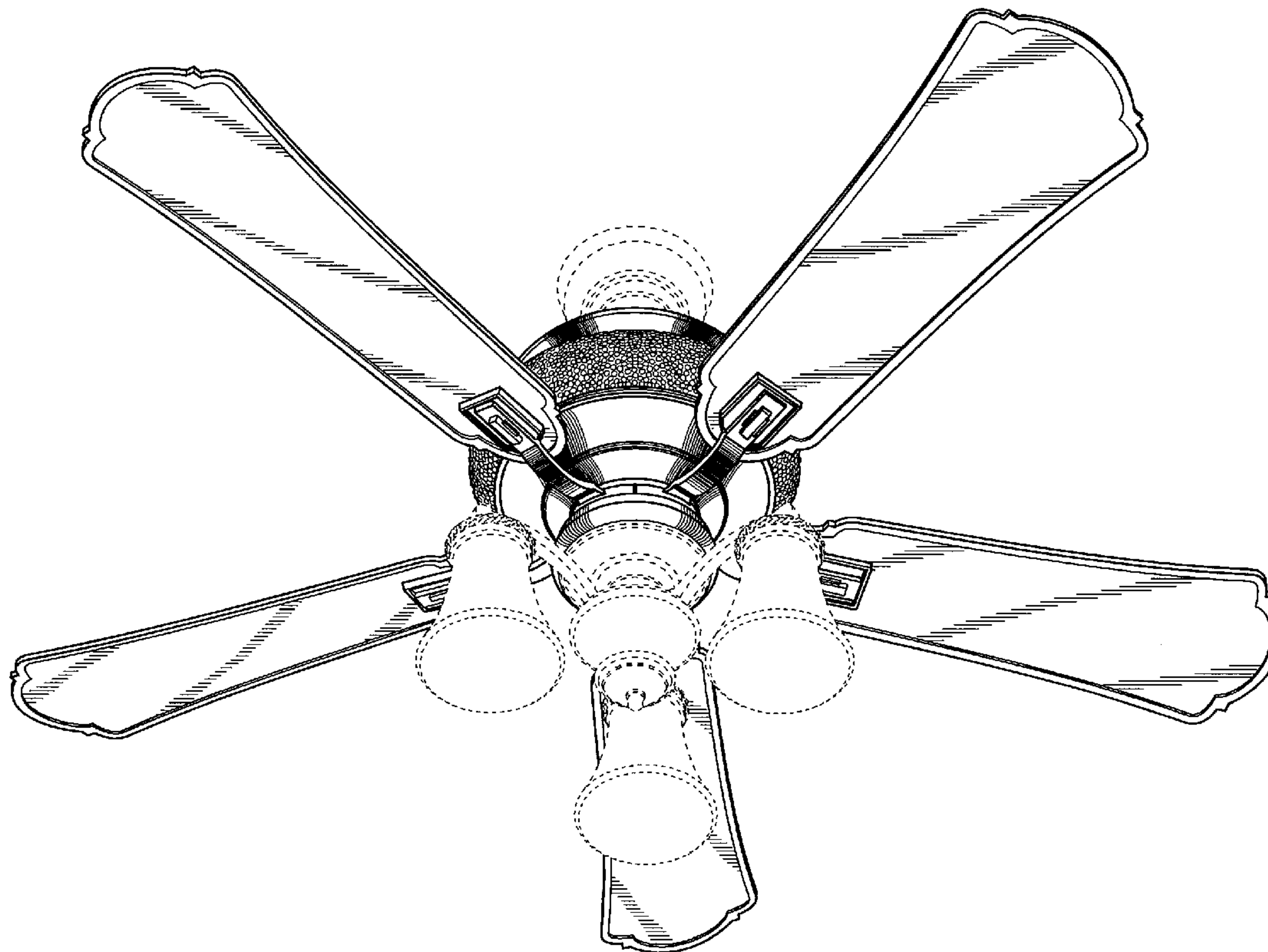
FIG. 4 is an enlarged front elevation view of the ceiling fan in accordance with my design;

FIG. 5 is an enlarged back elevation view of the ceiling fan in accordance with my design; and,

FIG. 6 is an enlarged side elevation view of the ceiling fan in accordance with my design, the opposite view being a mirror image of that shown except for the position of the fan blades.

The broken line showing of the canopy, support rod and light fixture is included for the purpose of illustrating environmental structure and forms no part of the claimed design.

1 Claim, 6 Drawing Sheets



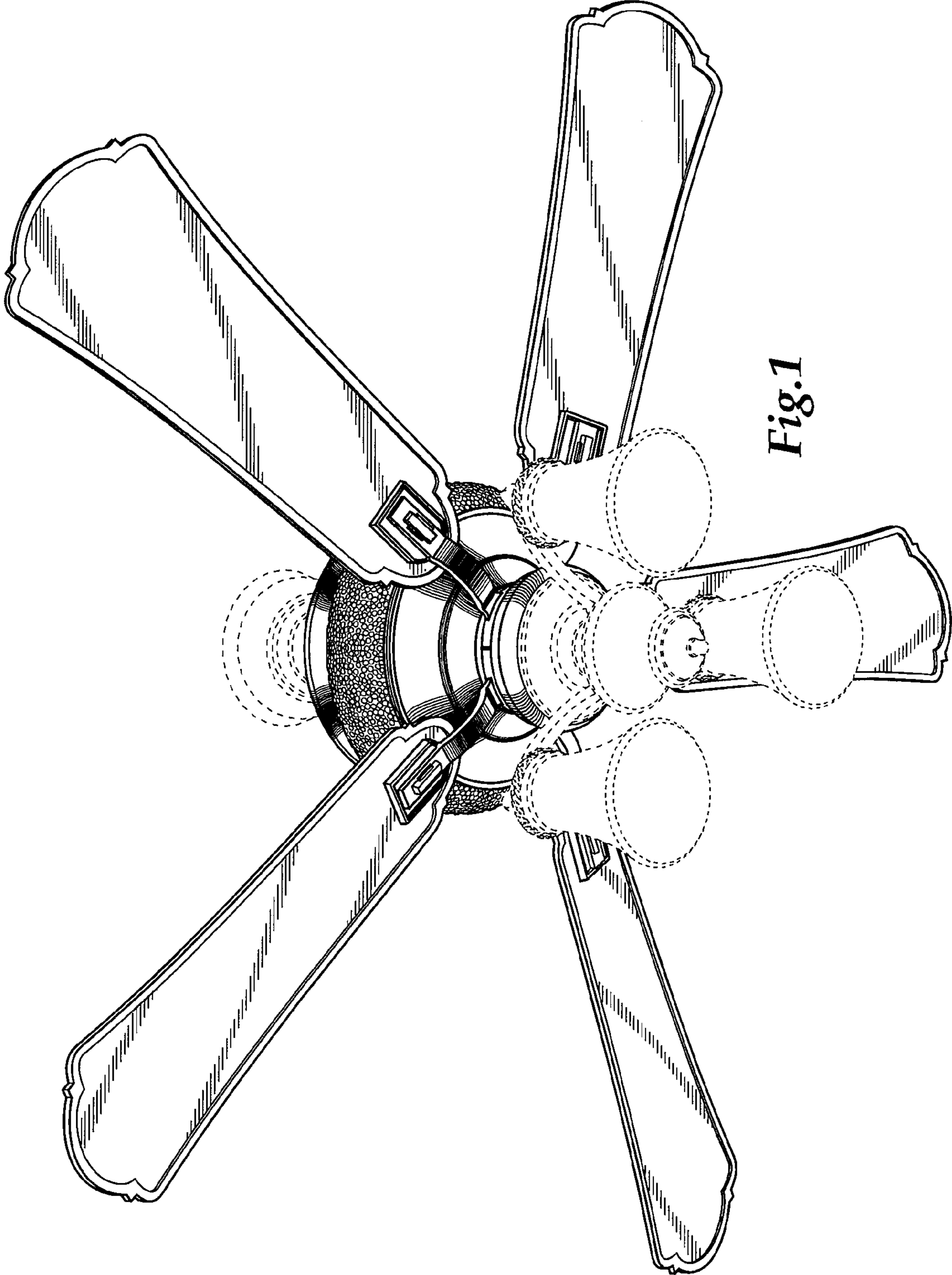


Fig. 1

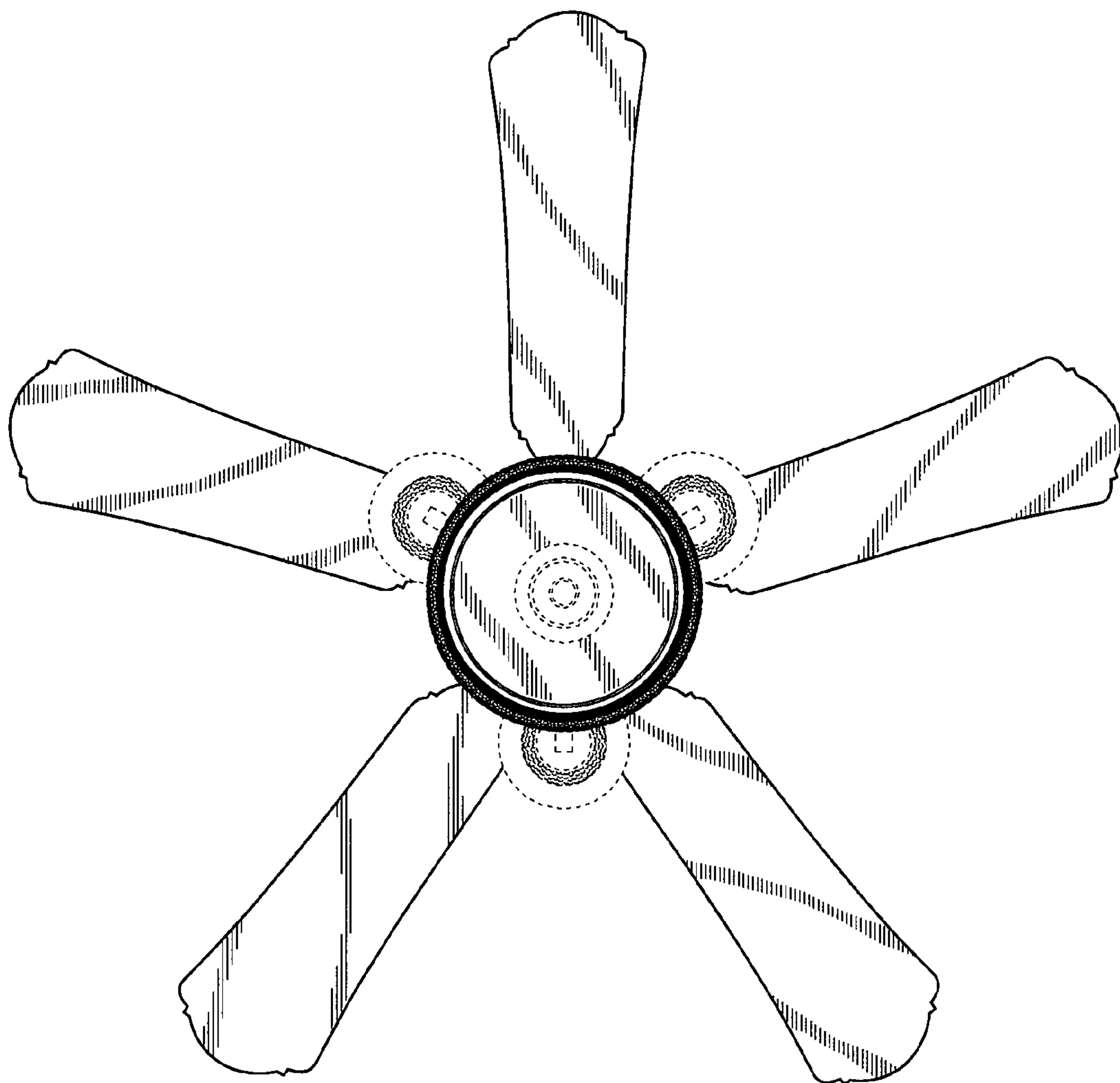


Fig. 2

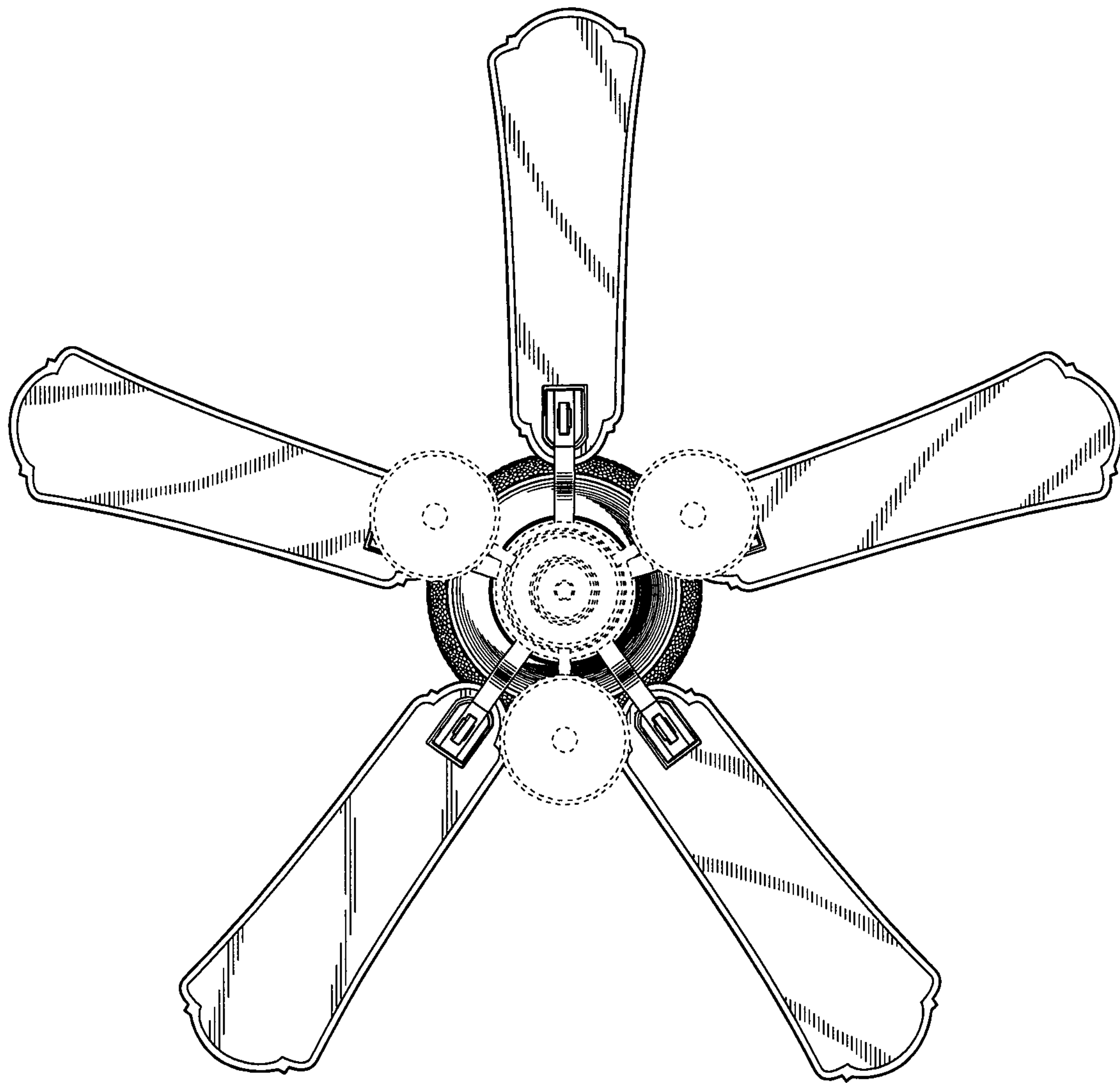


Fig.3

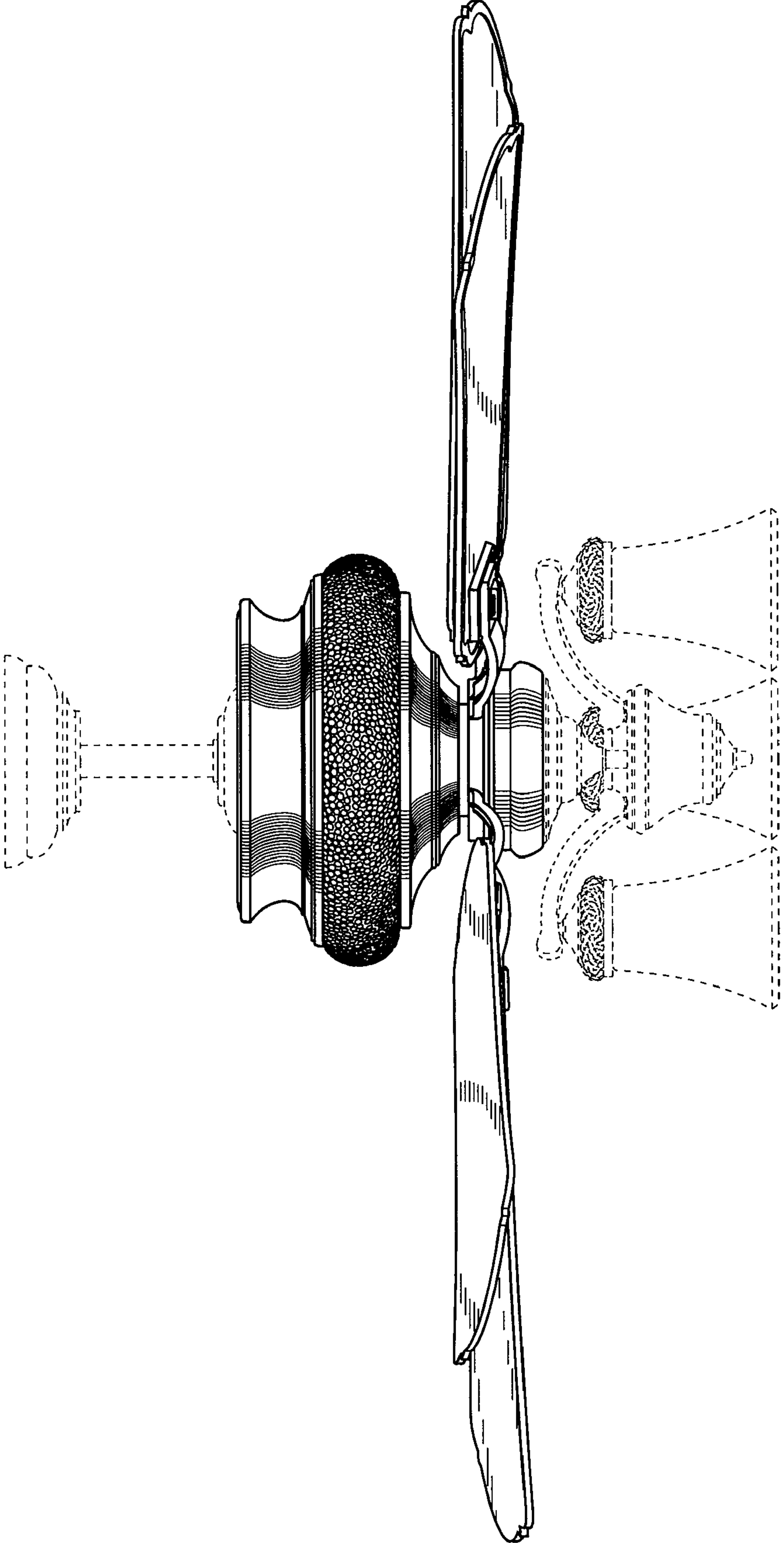


Fig.4

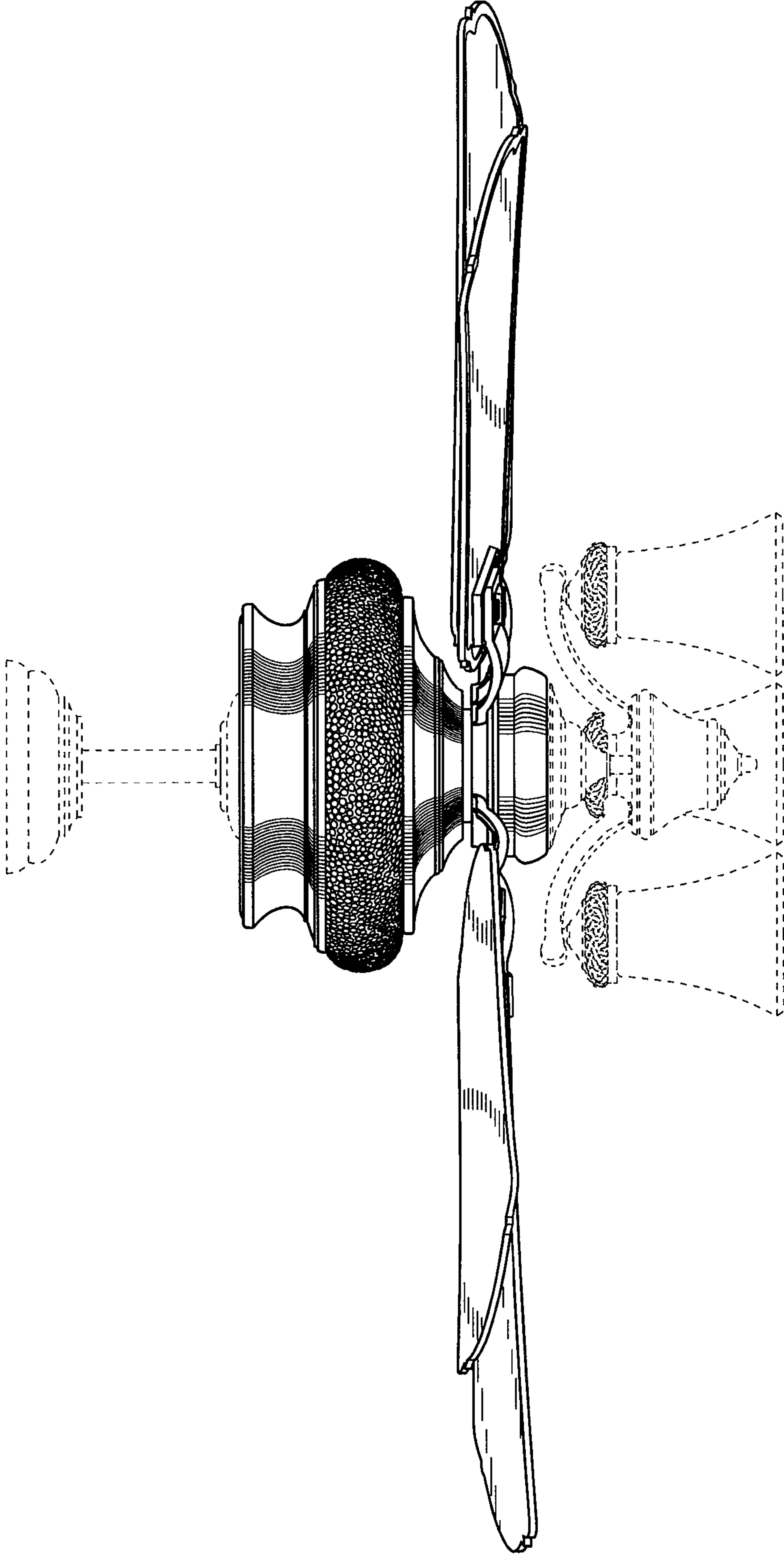


Fig.5

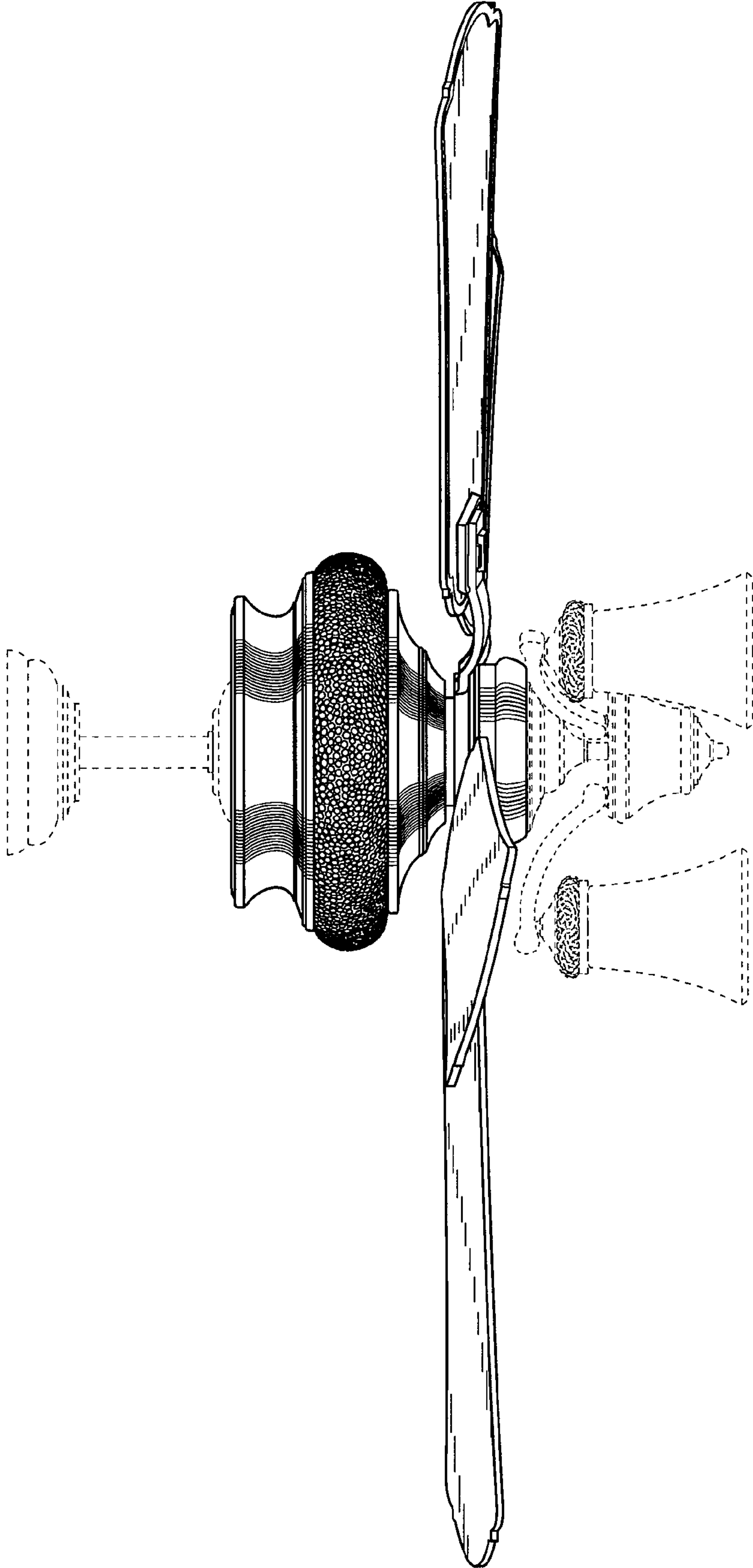


Fig.6