



US00D579096S

(12) **United States Design Patent**
Guzorek

(10) **Patent No.:** **US D579,096 S**
(45) **Date of Patent:** **** Oct. 21, 2008**

(54) **HOUSING FOR AN INLINE VENT FAN**

(57) **CLAIM**

(76) **Inventor:** **Steven E. Guzorek**, 2969 Ravenwood Dr., Kinston, NC (US) 28504

The ornamental design for a housing for an inline vent fan, as shown and described.

(**) **Term:** **14 Years**

DESCRIPTION

(21) **Appl. No.:** **29/244,628**

(22) **Filed:** **Dec. 12, 2005**

(51) **LOC (8) Cl.** **23-04**

(52) **U.S. Cl.** **D23/370**

(58) **Field of Classification Search** D23/370,
D23/411; 126/299 D

See application file for complete search history.

FIG. 1 is a front, top and side perspective view of my design for a housing for an inline vent fan;

FIG. 2 is a front elevation view thereof;

FIG. 3 is a rear elevation view thereof;

FIG. 4 is an elevation view thereof from the same side as in FIG. 1; and

FIG. 5 is an elevation view thereof from the side opposite that in FIG. 1.

FIG. 6 is a bottom view thereof; and,

FIG. 7 is a top plan view thereof;

The broken line showing of portions of the housing for an inline vent fan is included for the purpose of illustrating environmental structure and forms no part of the claimed design.

(56) **References Cited**

U.S. PATENT DOCUMENTS

D546,435 S * 7/2007 Guzorek D23/370

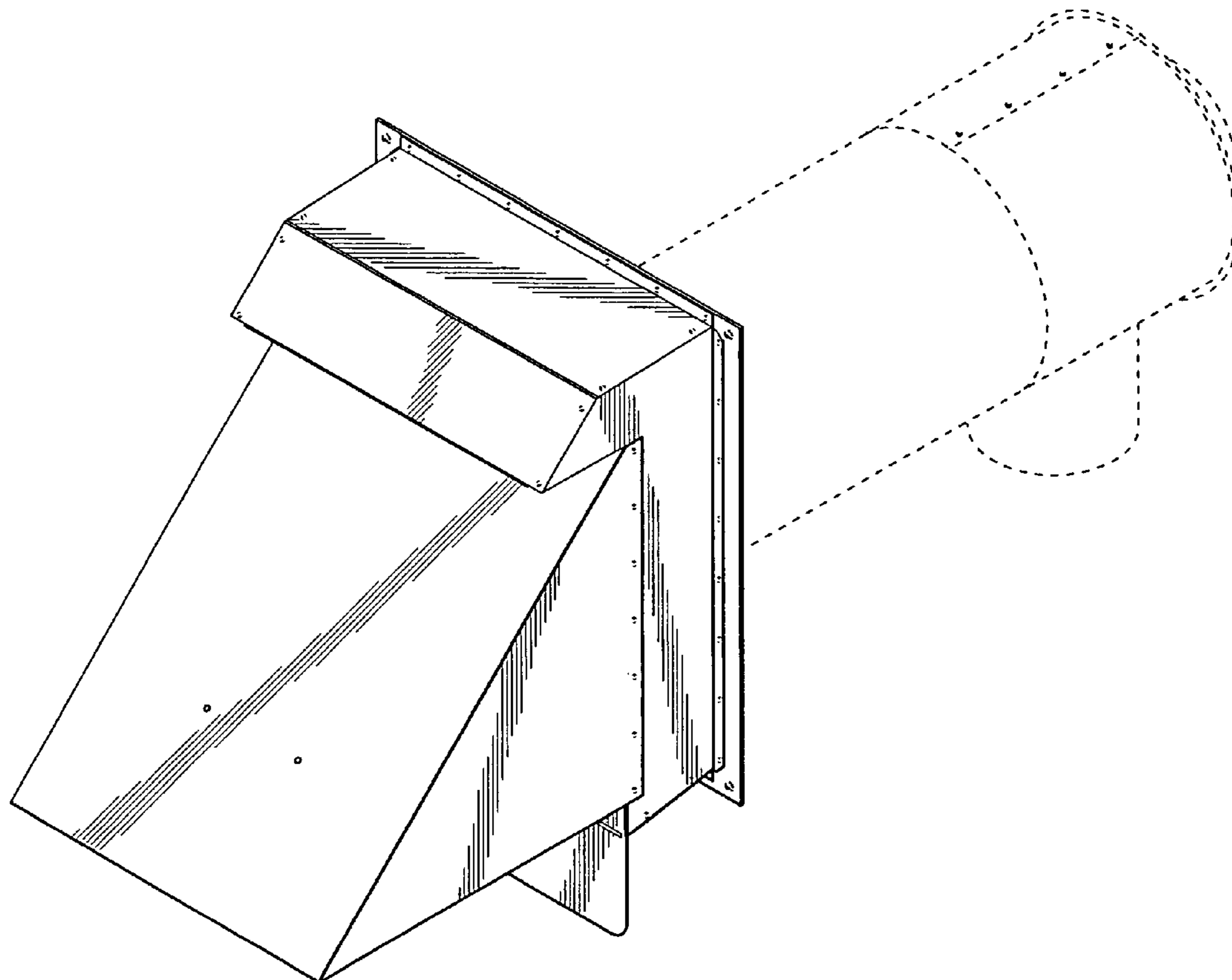
7,290,981 B2 * 11/2007 Guzorek 415/151

* cited by examiner

Primary Examiner—Lisa Lichtenstein

(74) *Attorney, Agent, or Firm*—Wood, Phillips, Katz, Clark & Mortimer

1 Claim, 4 Drawing Sheets



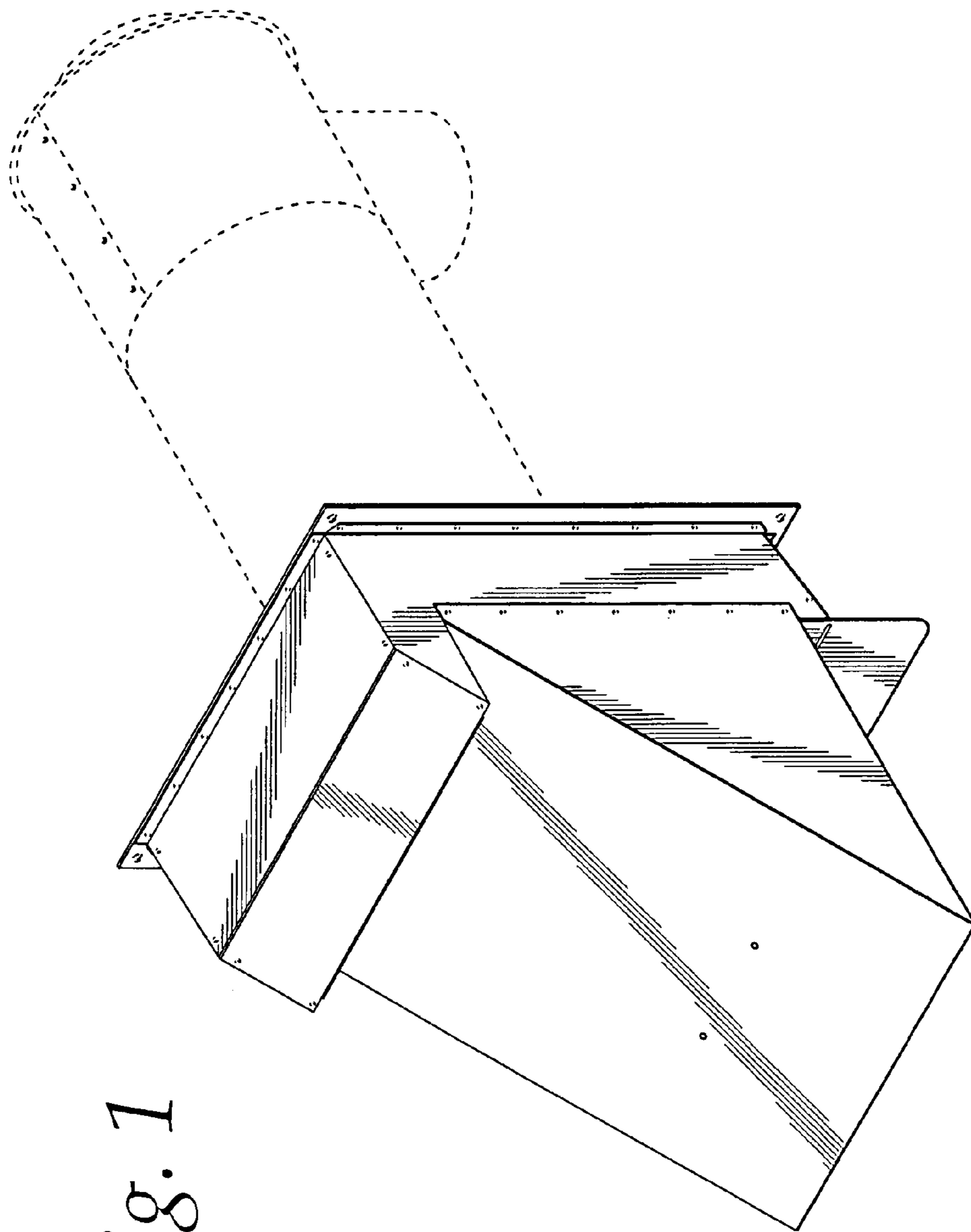


Fig. 1

Fig. 2

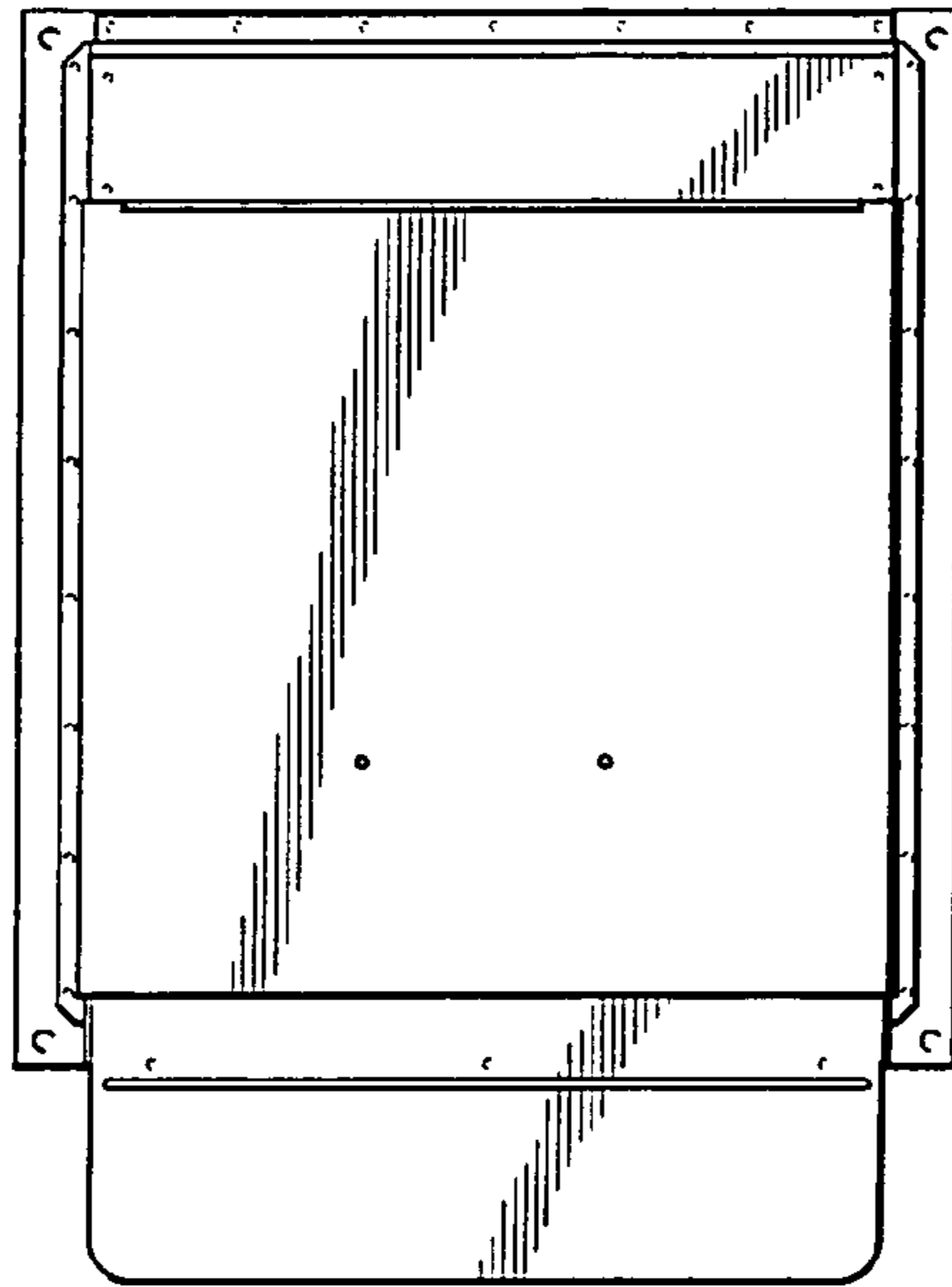
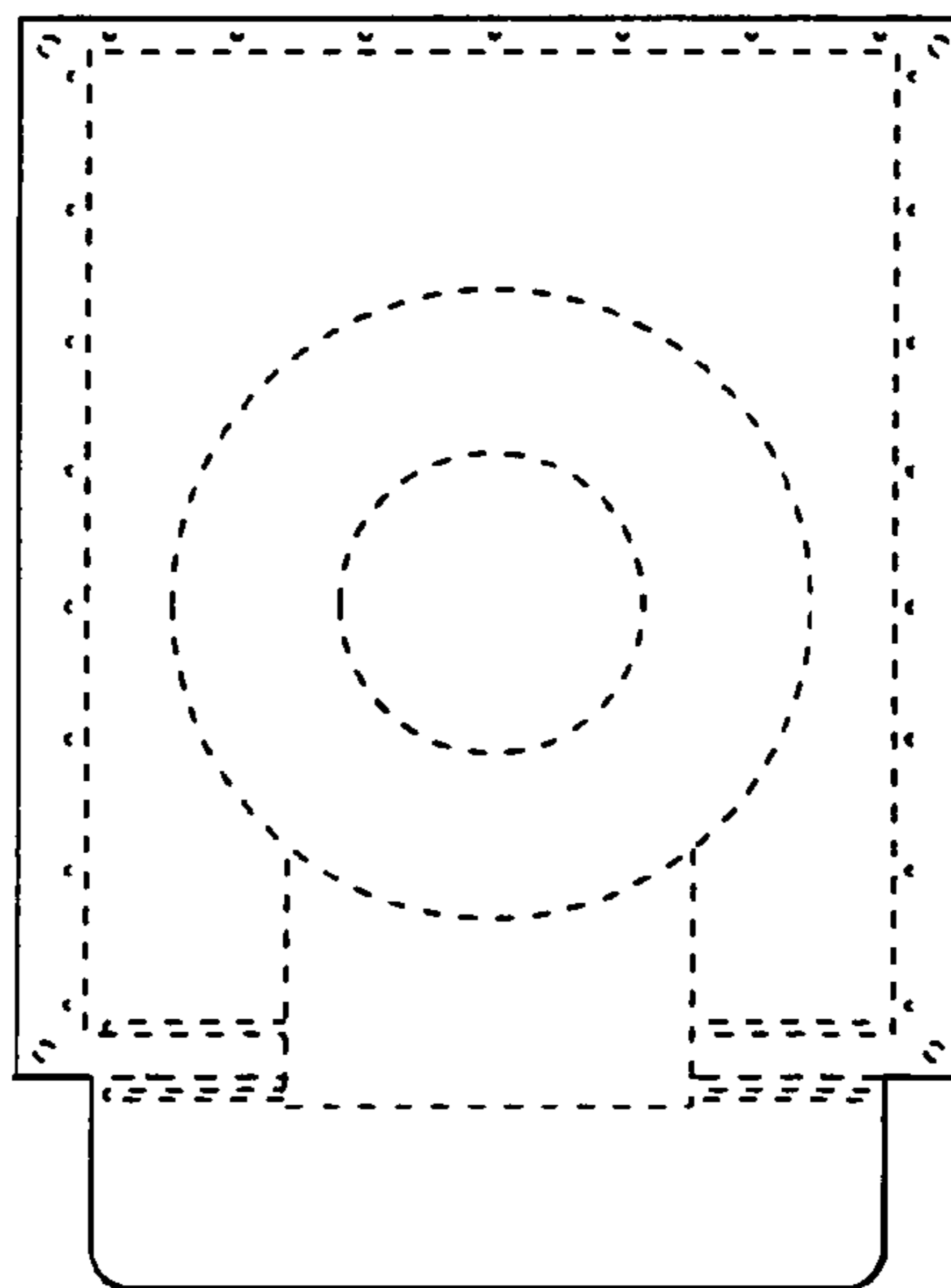


Fig. 3



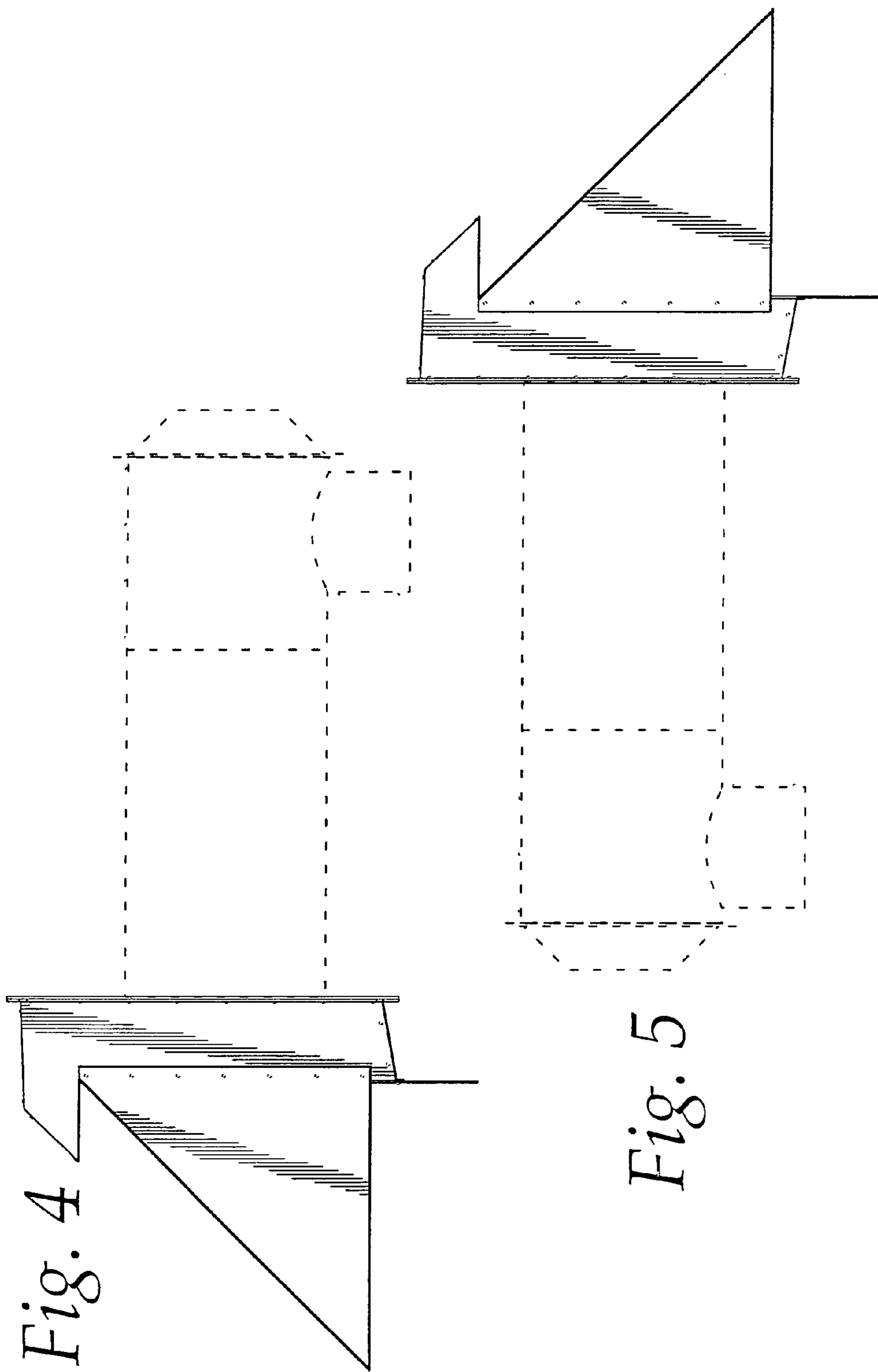


Fig. 4

Fig. 5

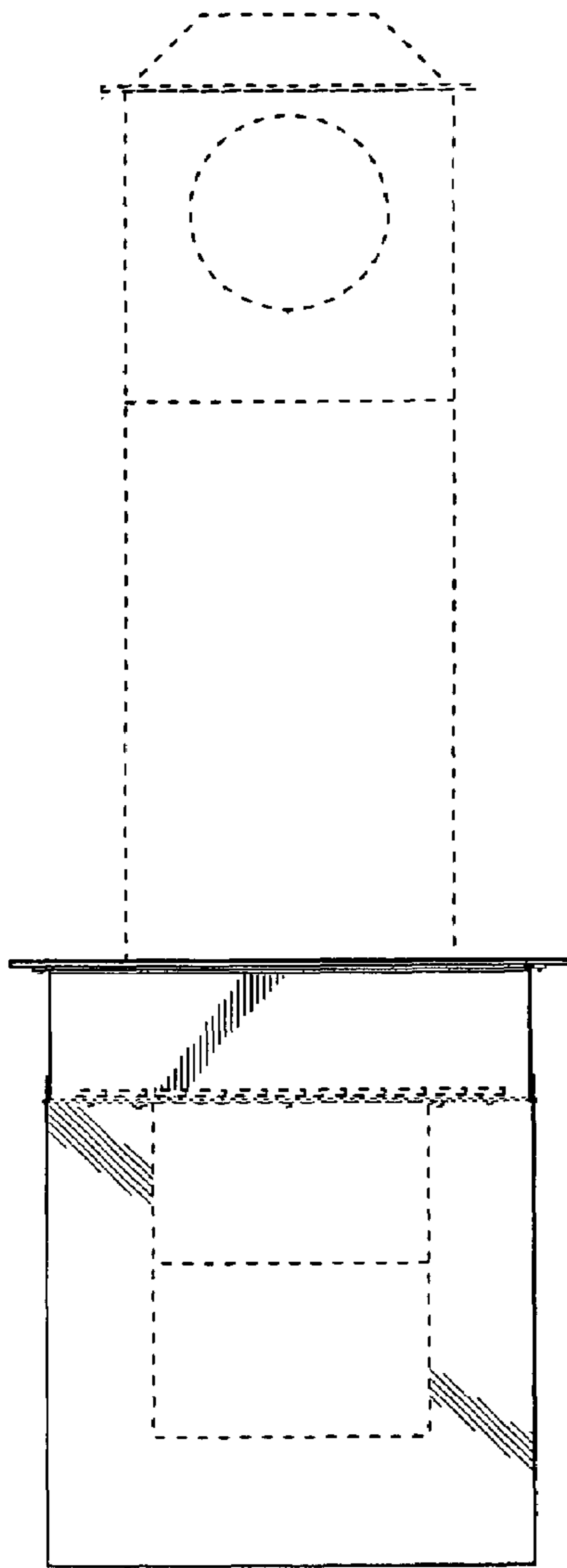


Fig. 6

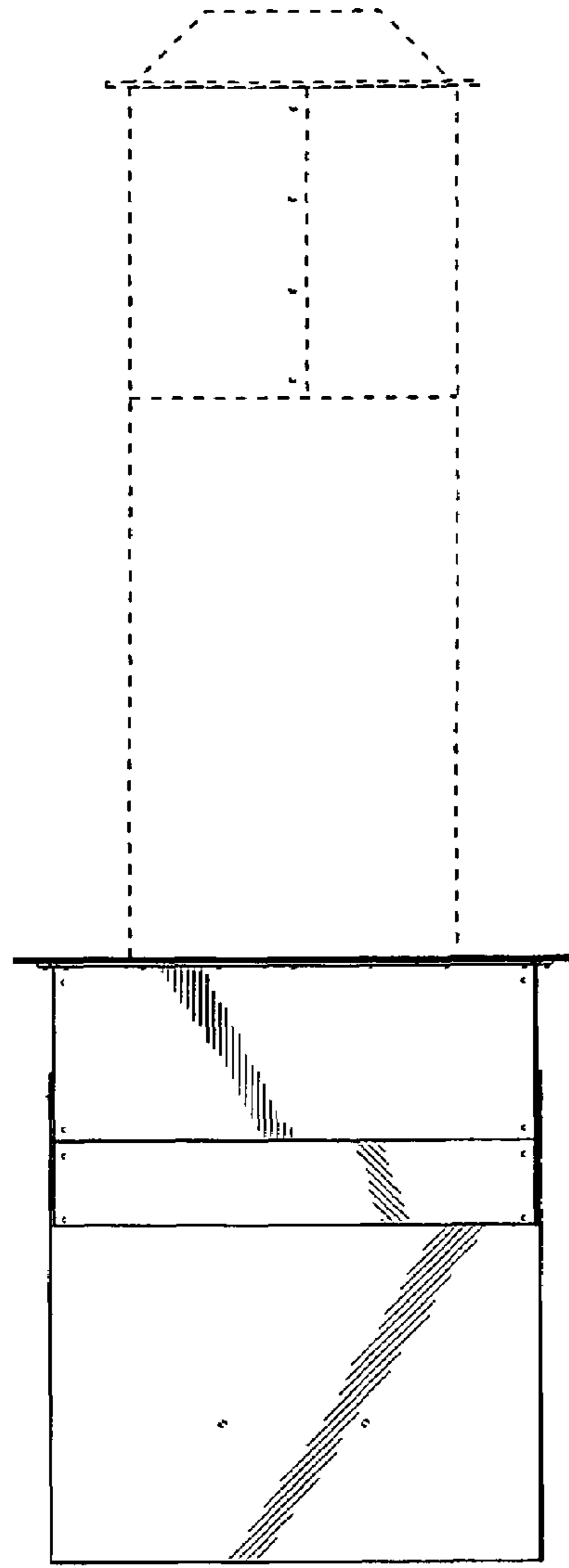


Fig. 7