



US00D579089S

(12) **United States Design Patent**  
**Dolan**

(10) **Patent No.:** **US D579,089 S**

(45) **Date of Patent:** **\*\* Oct. 21, 2008**

(54) **FAUCET SPOUT**

(76) **Inventor:** **Patrick S. Dolan**, 2700 NW. Front Ave.,  
Portland, OR (US) 97210

(\*\*) **Term:** **14 Years**

(21) **Appl. No.:** **29/291,443**

(22) **Filed:** **Aug. 28, 2007**

(51) **LOC (8) Cl.** ..... **23-01**

(52) **U.S. Cl.** ..... **D23/255**

(58) **Field of Classification Search** ..... D23/255-257,  
D23/238-243; 4/675-678; 137/801  
See application file for complete search history.

(56) **References Cited**

**U.S. PATENT DOCUMENTS**

D346,013 S	4/1994	McKeone	
D520,607 S	5/2006	Koury	
D566,815 S *	4/2008	Wang	..... D23/242
D570,450 S *	6/2008	Dolan	..... D23/241

**OTHER PUBLICATIONS**

Co-Pending U.S. Appl. No. 291/291,341, filed Aug. 23, 2007, Patrick S. Dolan.

Co-Pending U.S. Appl. No. 291/291,444, filed Aug. 28, 2007, Patrick S. Dolan.

As Seen on website: www.homeportfolio.com, Sanoma CIXX Series Oct. 27, 2006.

As Seen on website: www.moen.com, Moen, N. olmstead, OH Model S448 Oct. 17, 2006.

As Seen on website: www.faucetdirect.com, Danze Model D302044BNT May 24, 2007.

\* cited by examiner

*Primary Examiner*—Robert A Delehanty

(57) **CLAIM**

The ornamental design for a faucet spout, as shown and described.

**DESCRIPTION**

FIG. 1 is a perspective view thereof;

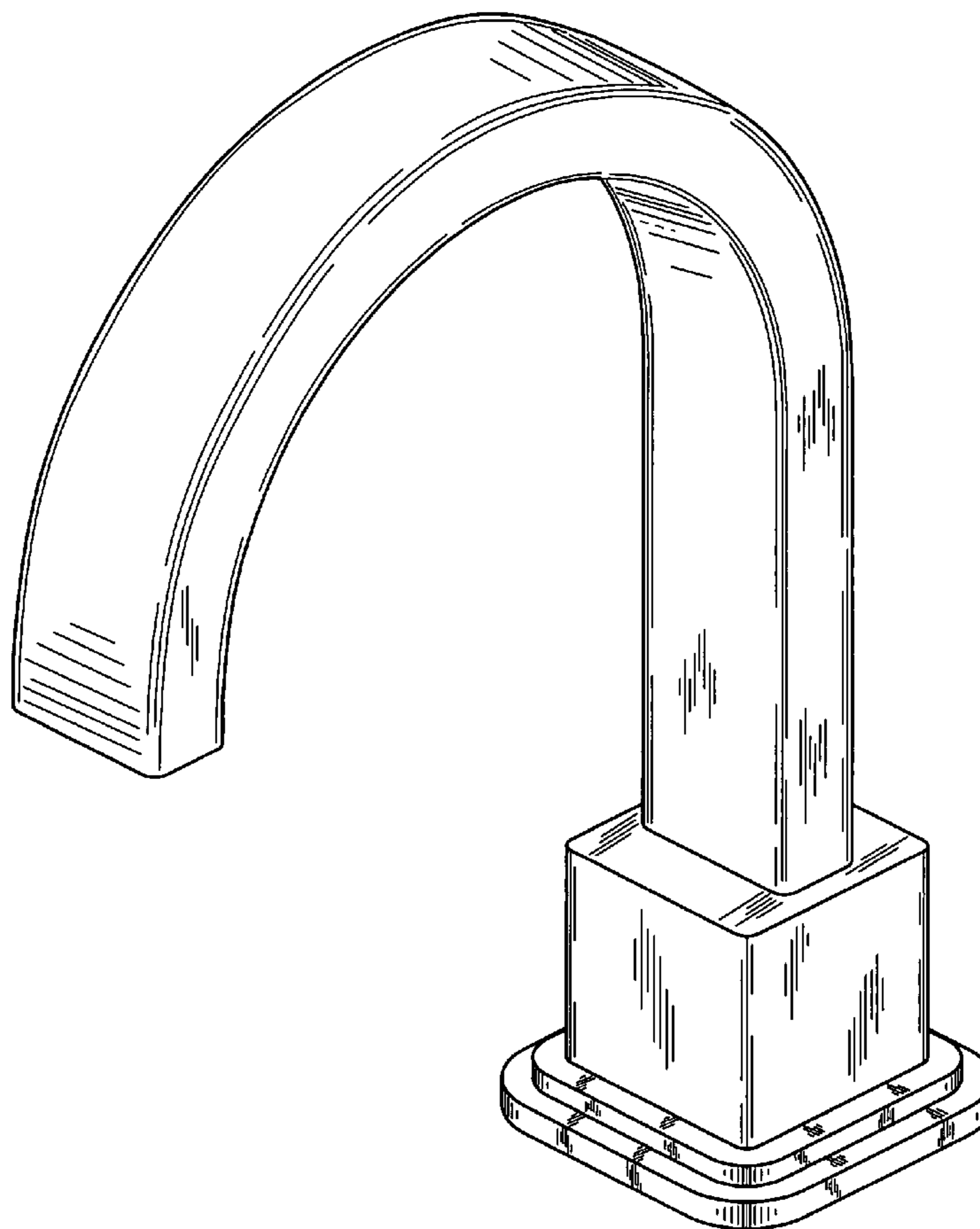
FIG. 2 is a front elevational view thereof;

FIG. 3 is a right side view, the left side view being a mirror image;

FIG. 4 is a back plan view thereof; and,

FIG. 5 is a top plan view thereof.

**1 Claim, 5 Drawing Sheets**



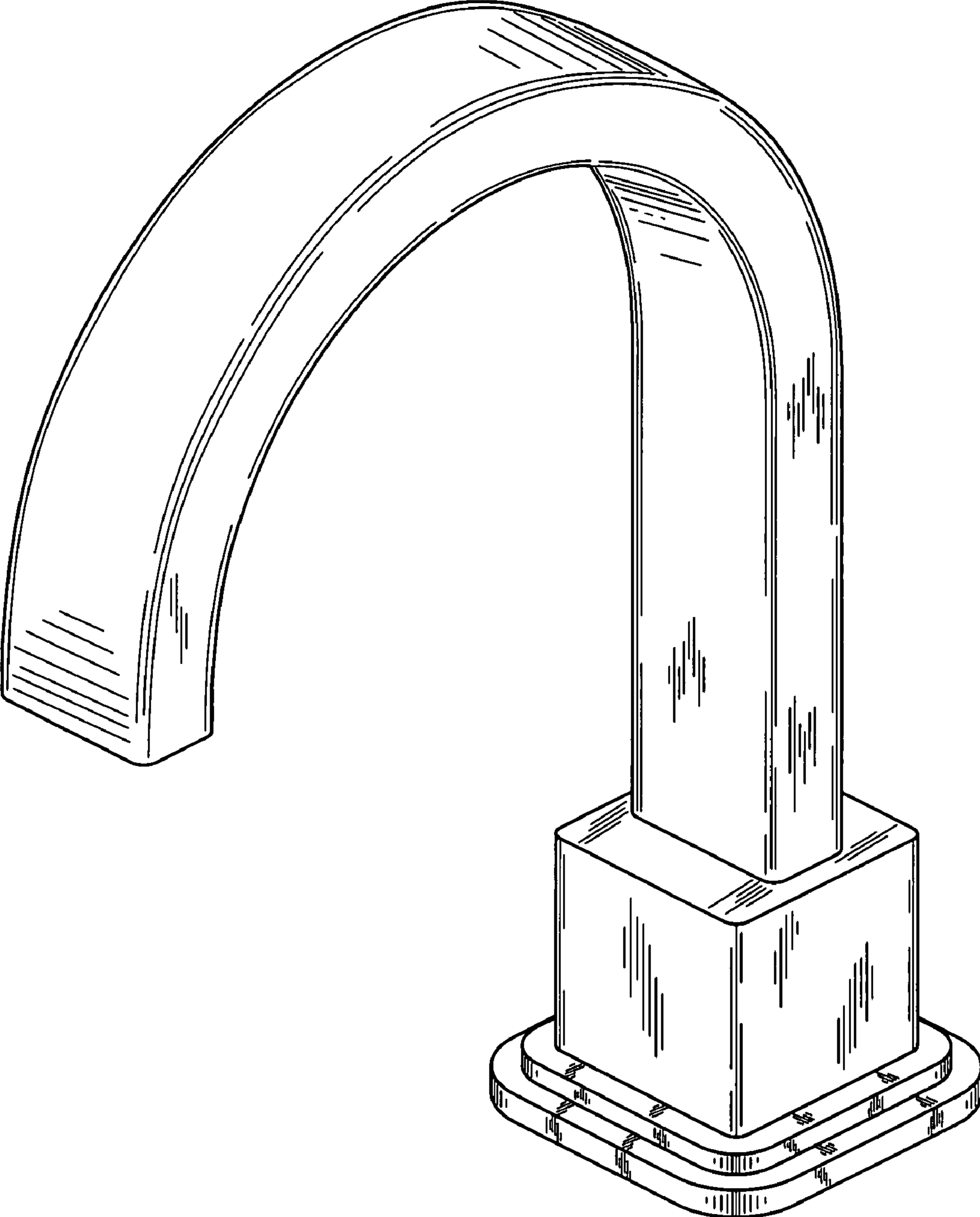


FIG. 1

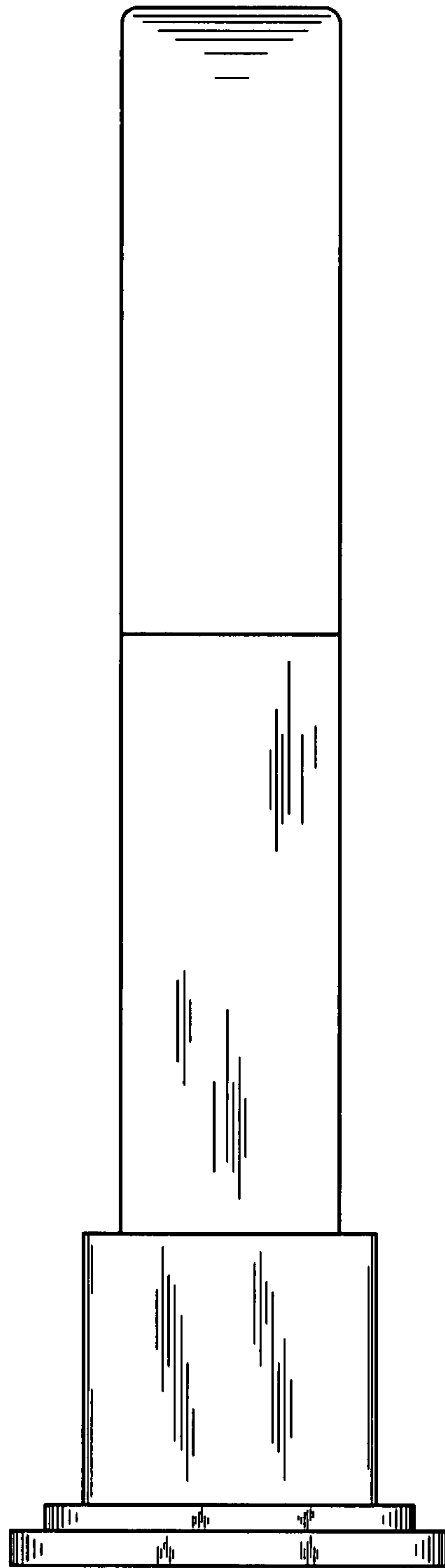


FIG. 2

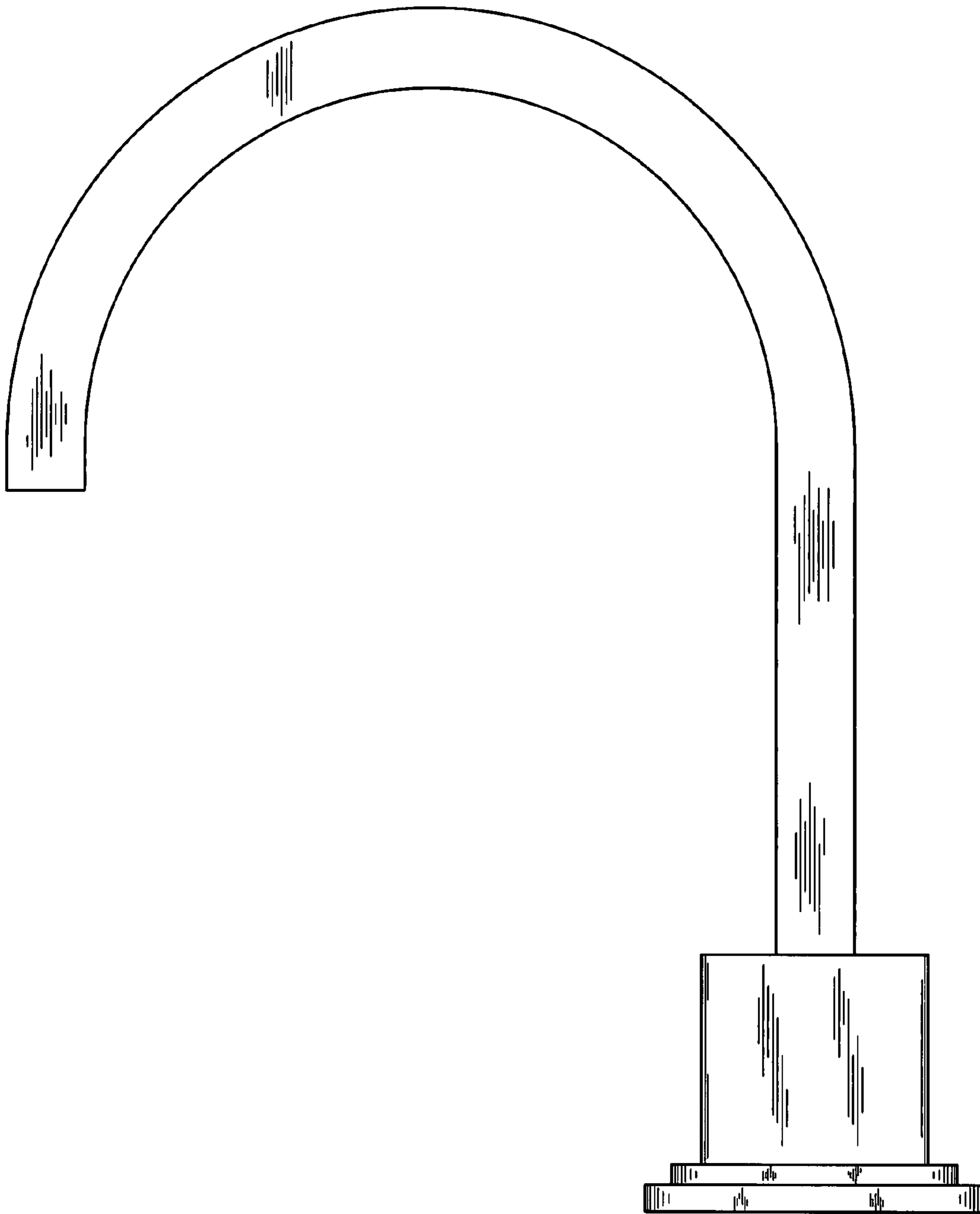


FIG. 3

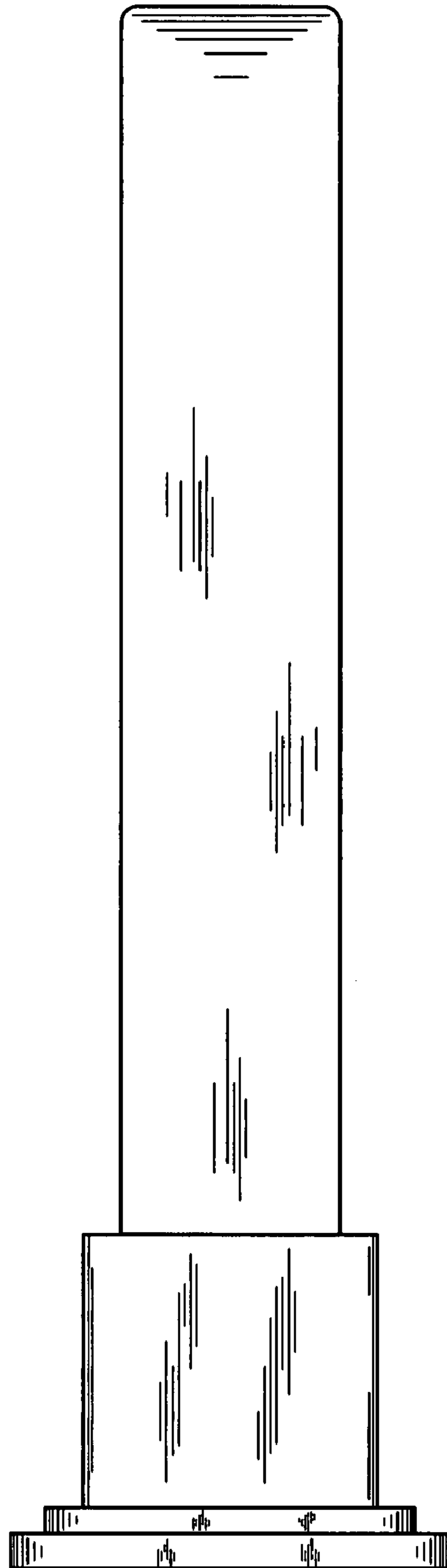


FIG. 4

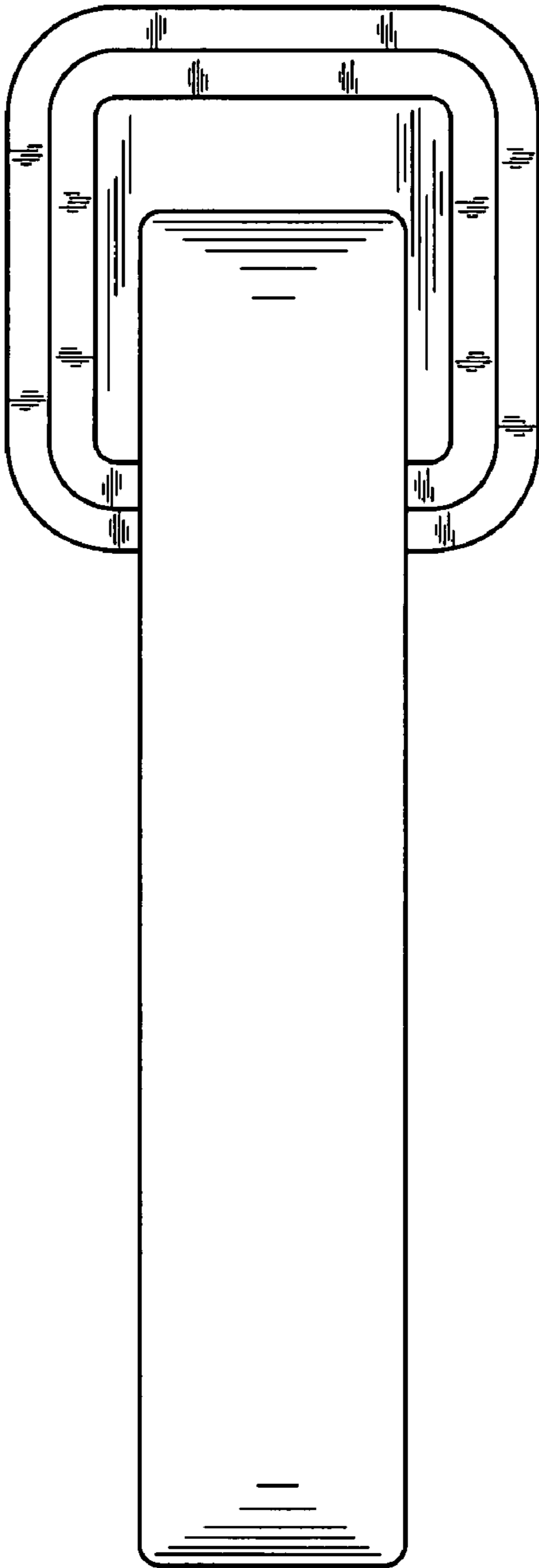


FIG. 5