



US00D579084S

(12) **United States Design Patent**
Bickler et al.

(10) **Patent No.:** **US D579,084 S**
(45) **Date of Patent:** **** Oct. 21, 2008**

(54) **TOILET TANK LEVER**

D496,434 S * 9/2004 Spangler D23/252
D517,174 S * 3/2006 Singtoroj D23/252
D547,830 S * 7/2007 Veltz et al. D23/252

(75) Inventors: **Marc Bickler**, Charlotte, NC (US);
Victor Hoernig, Lowell, IN (US);
Geraint Krumpe, Chicago, IL (US)

* cited by examiner

(73) Assignee: **Brasstech, Inc.**, Santa Ana, CA (US)

Primary Examiner—Robert A Delehanty
(74) *Attorney, Agent, or Firm*—Edgar A. Zarins; Lloyd D. Doigan

(**) Term: **14 Years**

(21) Appl. No.: **29/279,503**

(57) **CLAIM**

(22) Filed: **May 2, 2007**

The ornamental design for a toilet tank lever, as shown and described.

(51) **LOC (8) Cl.** **23-01**

(52) **U.S. Cl.** **D23/250**

(58) **Field of Classification Search** D23/250,
D23/252-254, 238-243, 244-249; 4/675-678;
D8/300, 307-308; D6/550; 137/801; 16/110.1,
16/441

DESCRIPTION

See application file for complete search history.

FIG. 1 is a front perspective view of a toilet tank lever showing our design;

FIG. 2 is a front elevational view thereof;

FIG. 3 is a top plan view thereof;

FIG. 4 is a bottom plan view thereof;

FIG. 5 is a right side elevational view thereof; and,

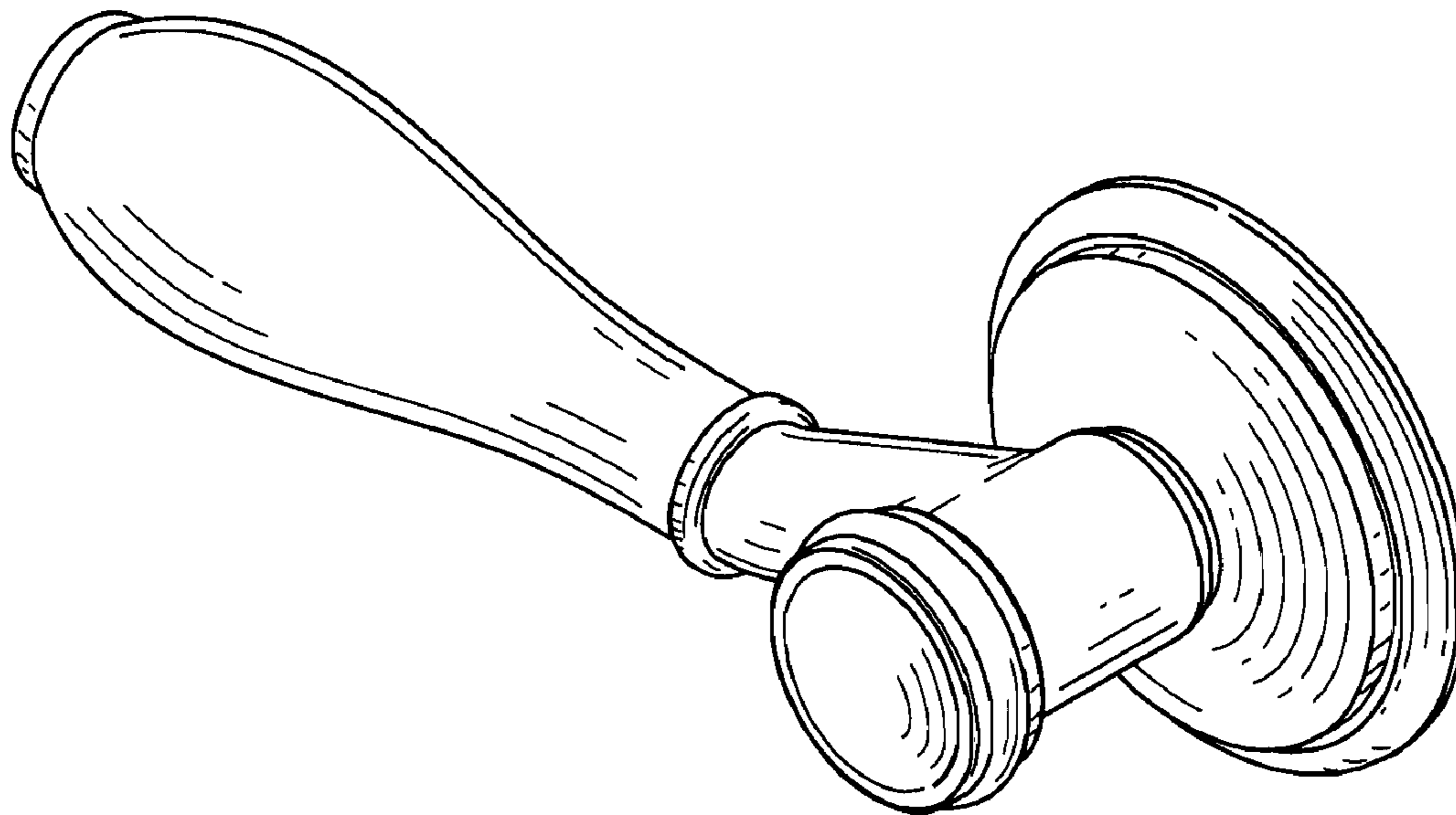
FIG. 6 is a left side elevational view thereof.

(56) **References Cited**

U.S. PATENT DOCUMENTS

D303,490 S * 9/1989 Mosch D8/321
D332,824 S * 1/1993 Robbins D23/252

1 Claim, 6 Drawing Sheets



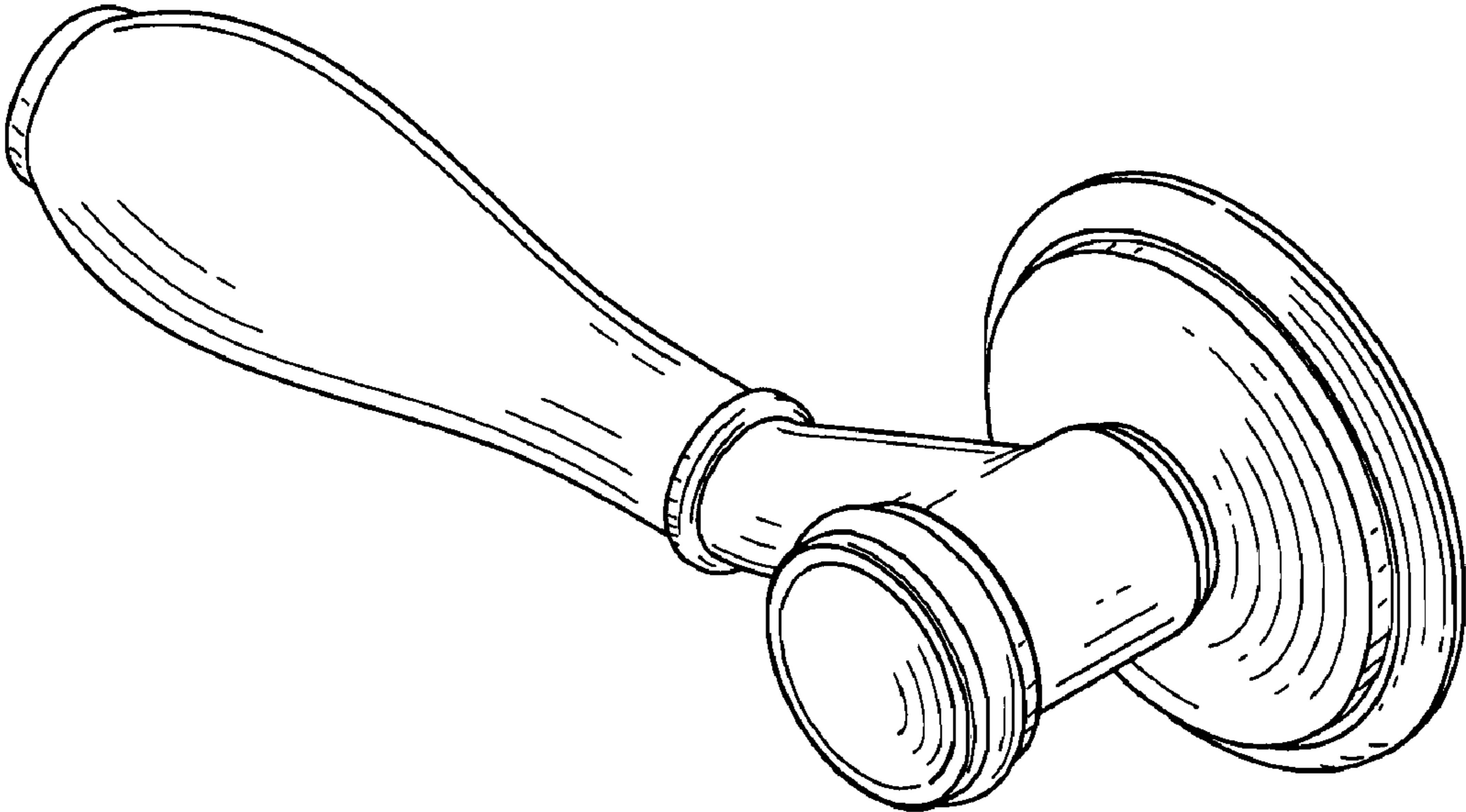


FIG. 1

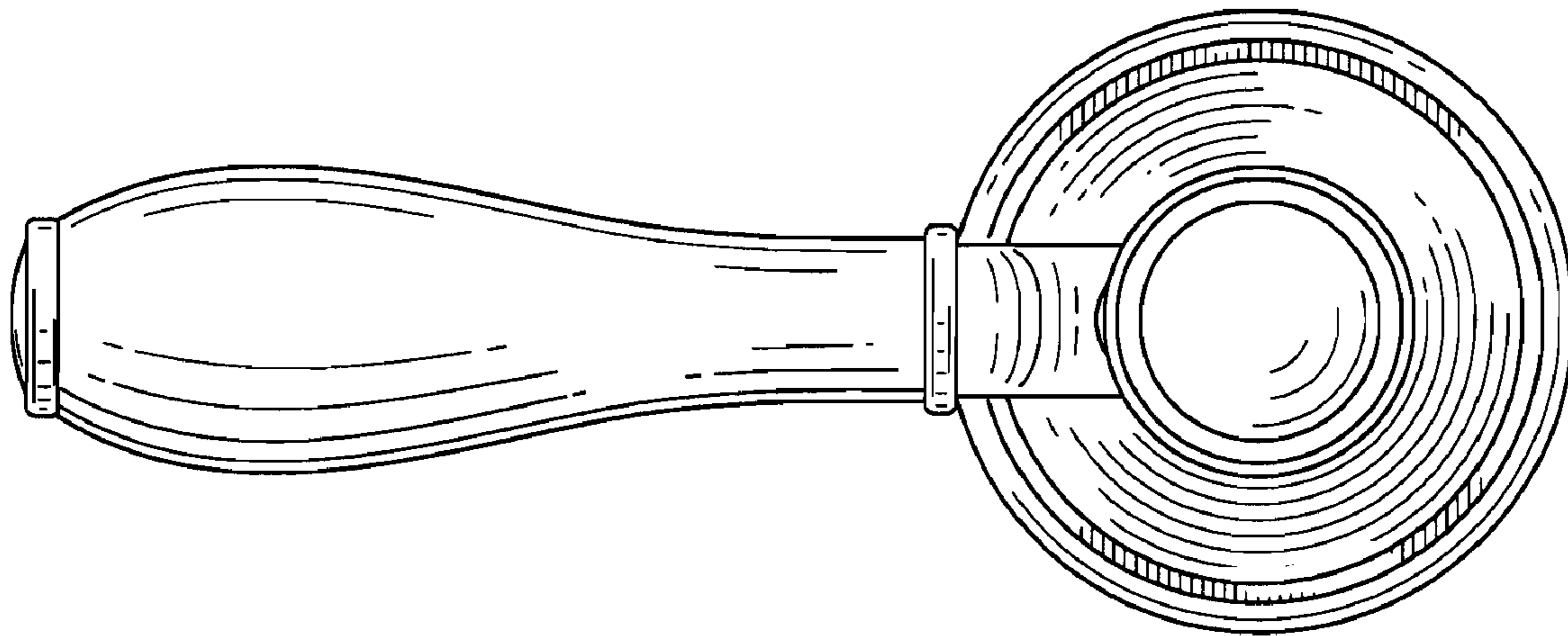


FIG. 2

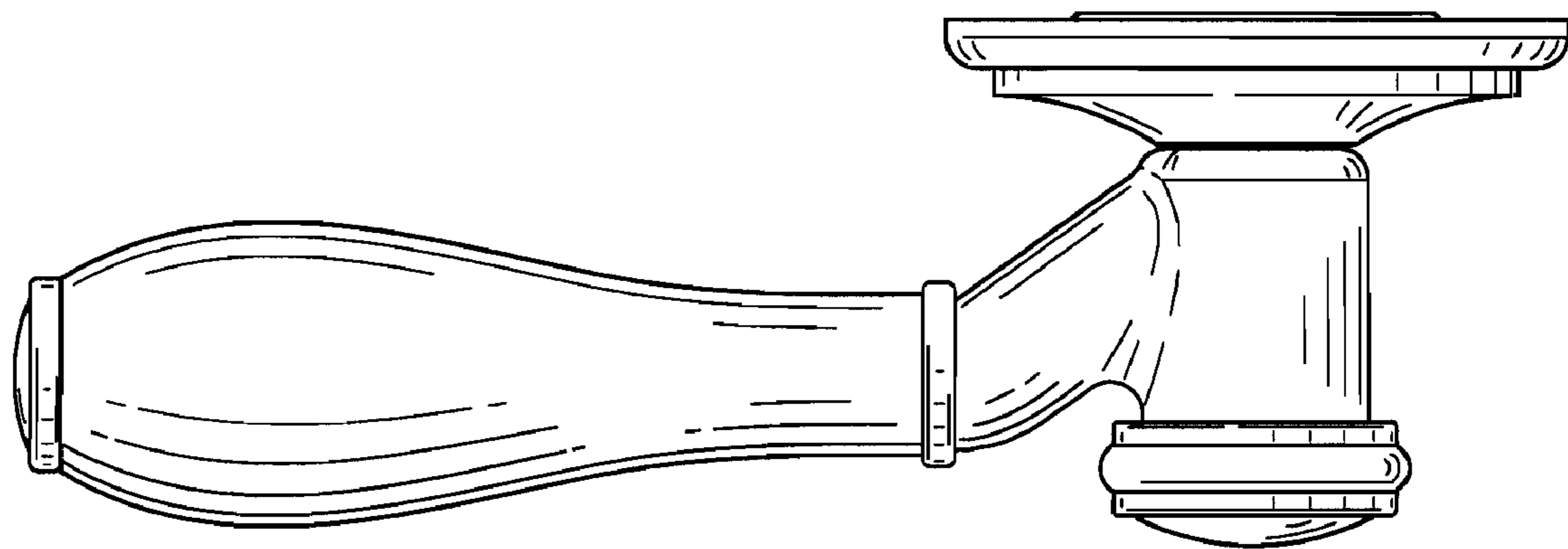


FIG. 3

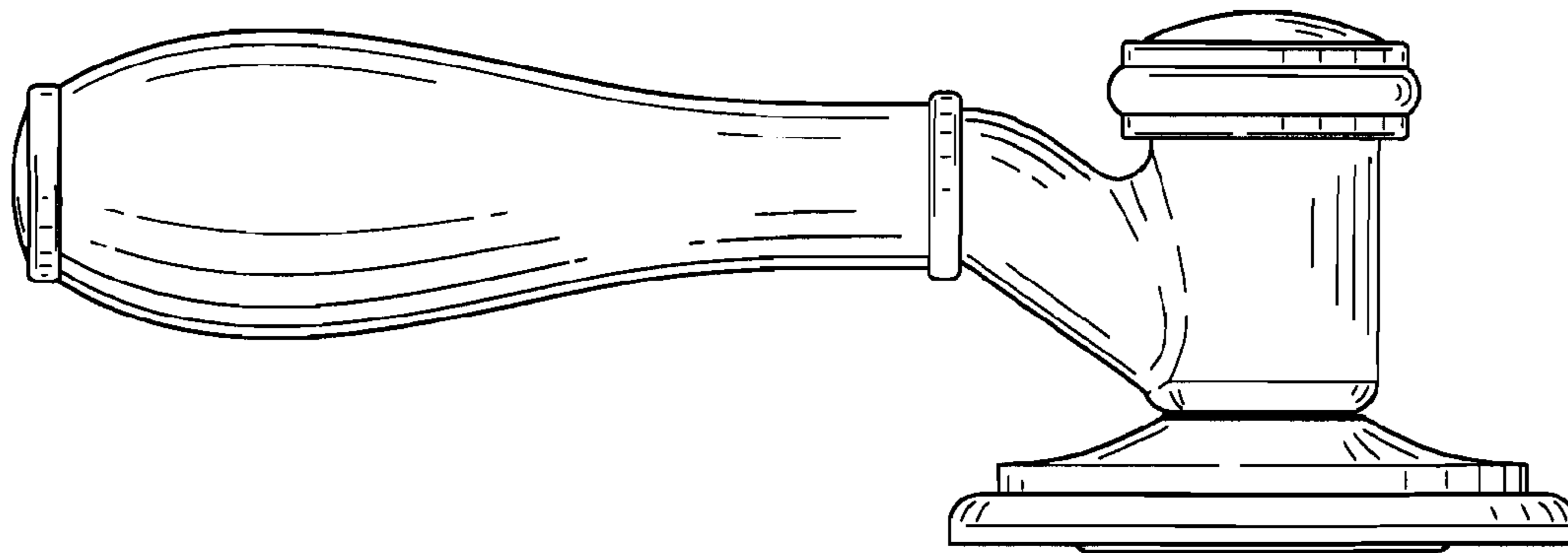


FIG. 4

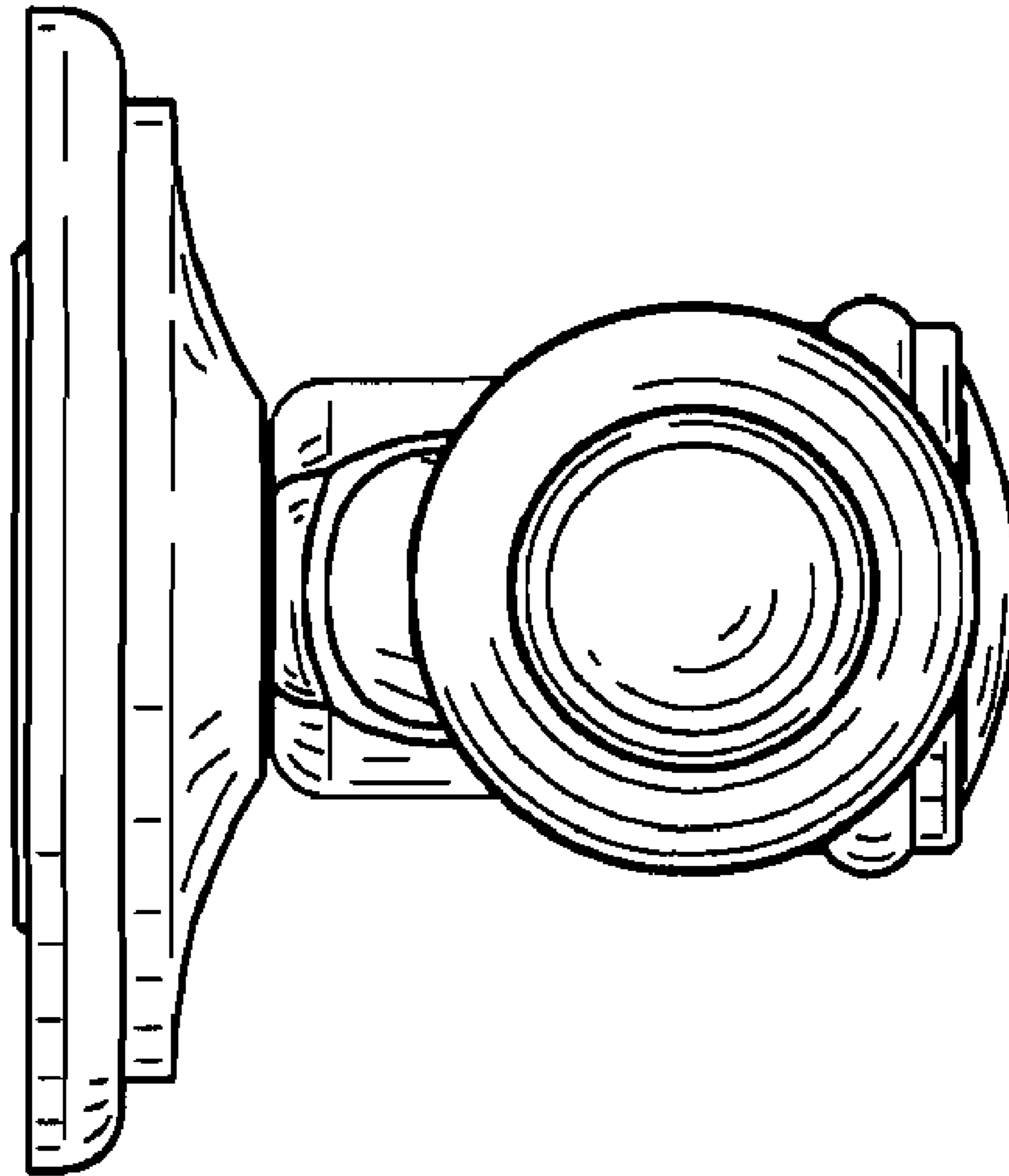


FIG. 5

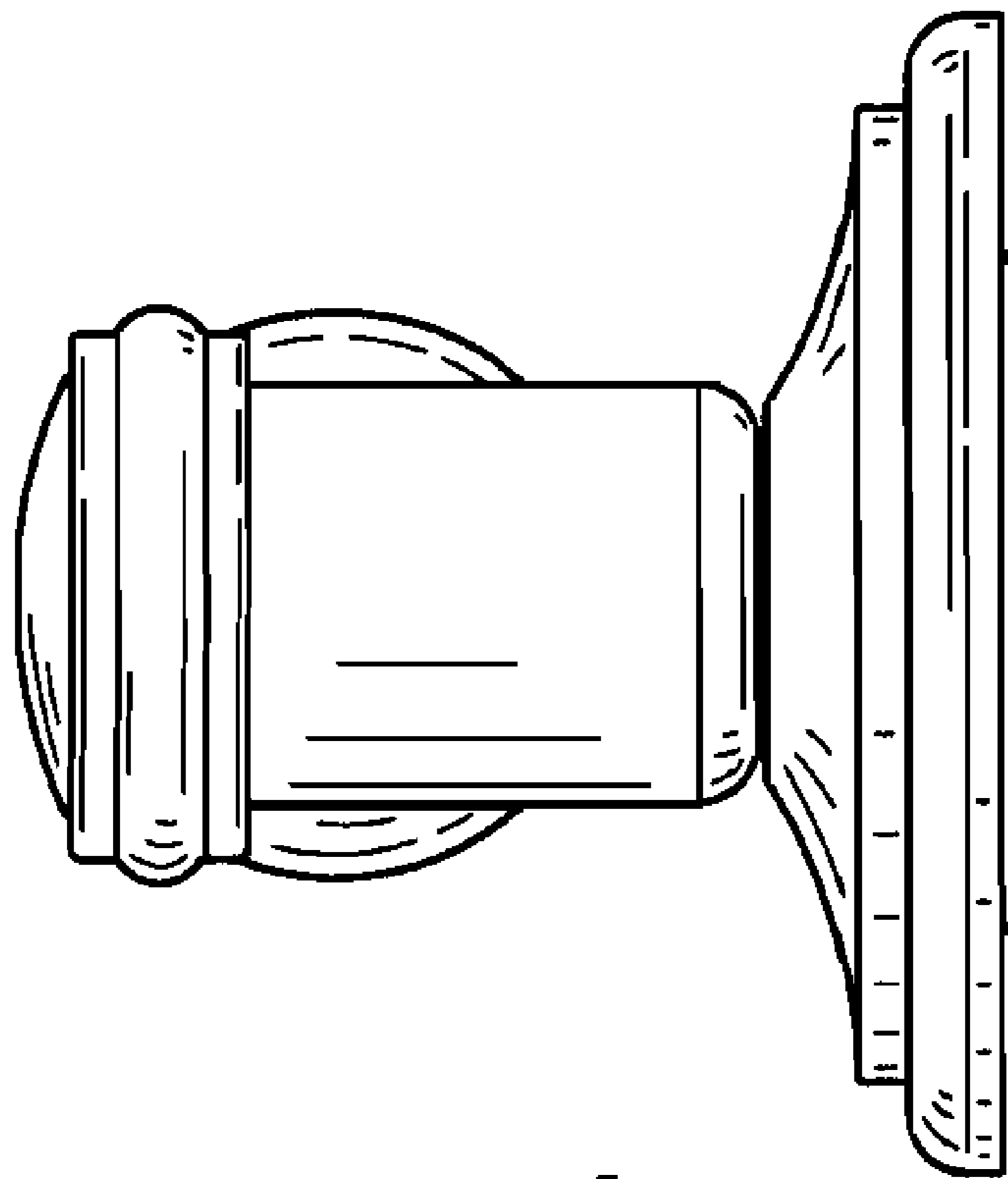


FIG. 6