



US00D579083S

(12) **United States Design Patent**
Bickler et al.

(10) **Patent No.:** **US D579,083 S**

(45) **Date of Patent:** **** Oct. 21, 2008**

(54) **DIVERTER HANDLE**

(75) Inventors: **Marc Bickler**, Charlotte, NC (US);
Victor Hoernig, Lowell, IN (US);
Geraint Krumpe, Chicago, IL (US)

(73) Assignee: **Brasstech, Inc.**, Santa Ana, CA (US)

(**) Term: **14 Years**

(21) Appl. No.: **29/279,497**

(22) Filed: **May 2, 2007**

(51) **LOC (8) Cl.** **23-01**

(52) **U.S. Cl.** **D23/250**

(58) **Field of Classification Search** D23/250,
D23/252-254, 238-243, 244-249; 4/675-678;
D8/300, 307-308; D6/550; 137/801; 16/110.1,
16/441

See application file for complete search history.

(56) **References Cited**

U.S. PATENT DOCUMENTS

D419,220 S * 1/2000 Warshawsky et al. D23/252

D455,199 S * 4/2002 Lenart et al. D23/254
D476,722 S * 7/2003 Panis et al. D23/254
D547,830 S * 7/2007 Veltz et al. D23/252

* cited by examiner

Primary Examiner—Robert A Delehanty

(74) *Attorney, Agent, or Firm*—Edgar A. Zarins; Lloyd D. Doigan

(57) **CLAIM**

The ornamental design for a diverter handle, as shown and described.

DESCRIPTION

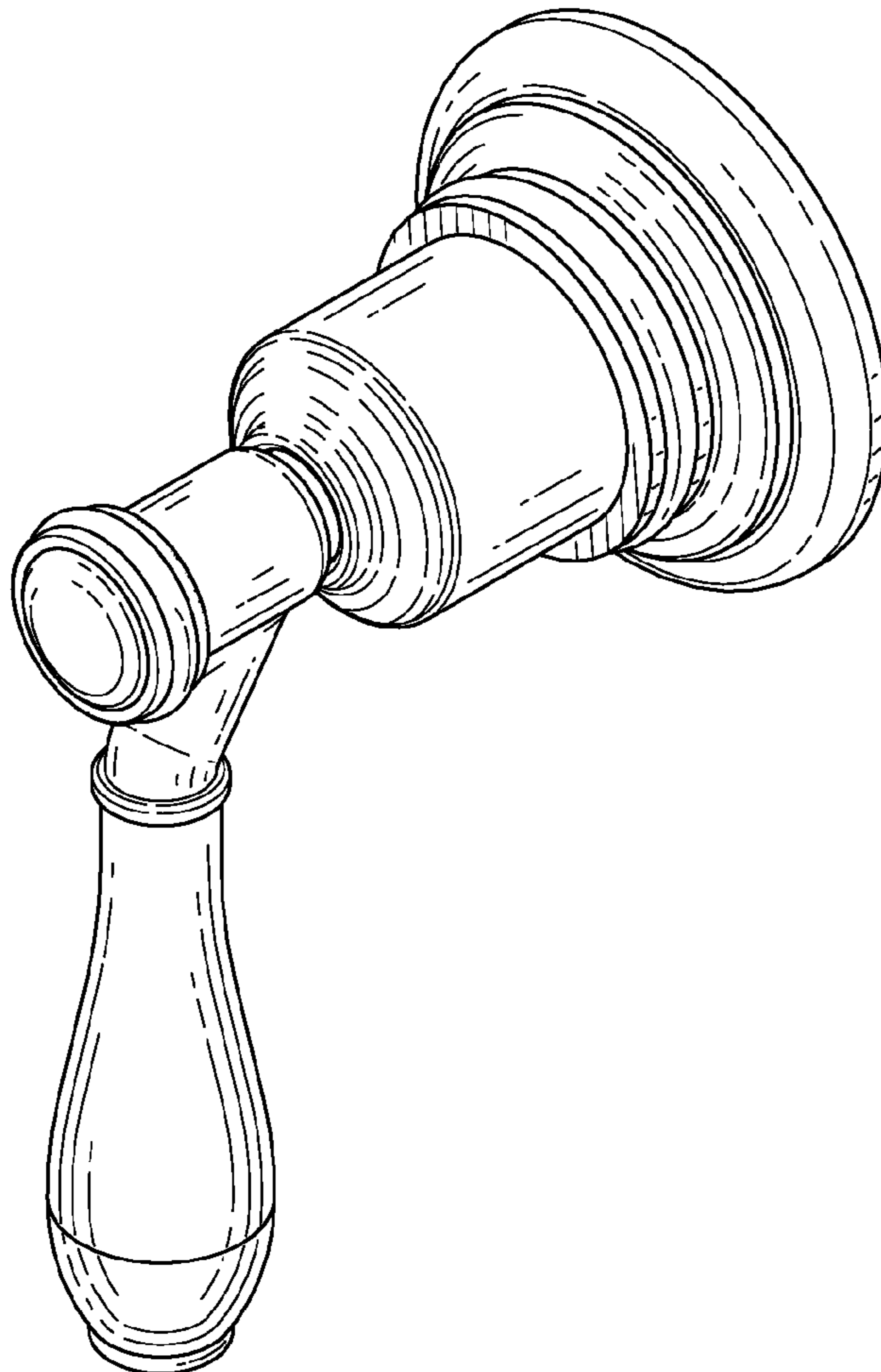
FIG. 1 is a front perspective view of a diverter handle showing our design;

FIG. 2 is a top plan view thereof;

FIG. 3 is a front elevational view thereof; and,

FIG. 4 is a left side elevational view thereof; the right side elevational view being a mirror image thereof.

1 Claim, 4 Drawing Sheets



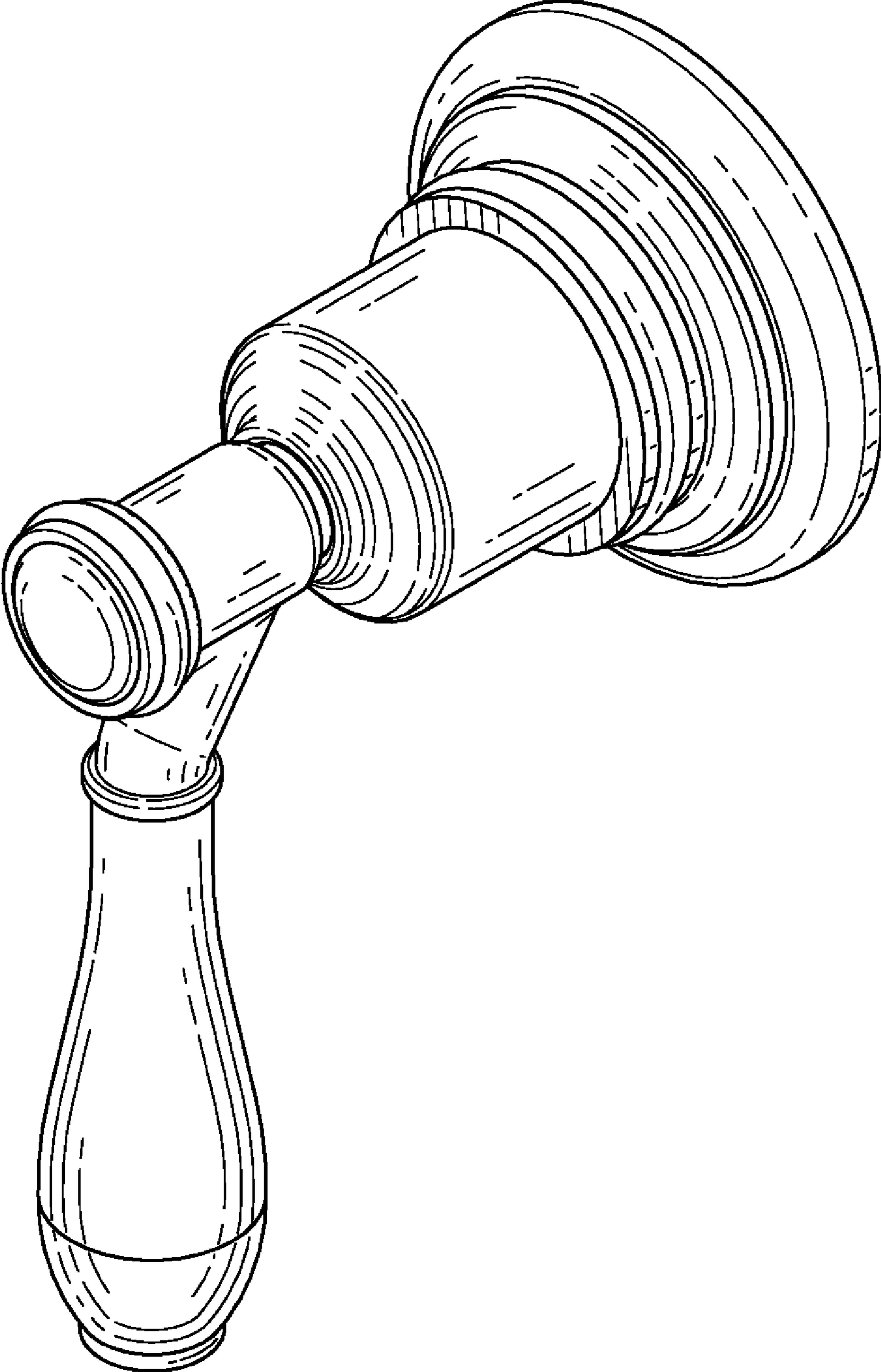


FIG. 1

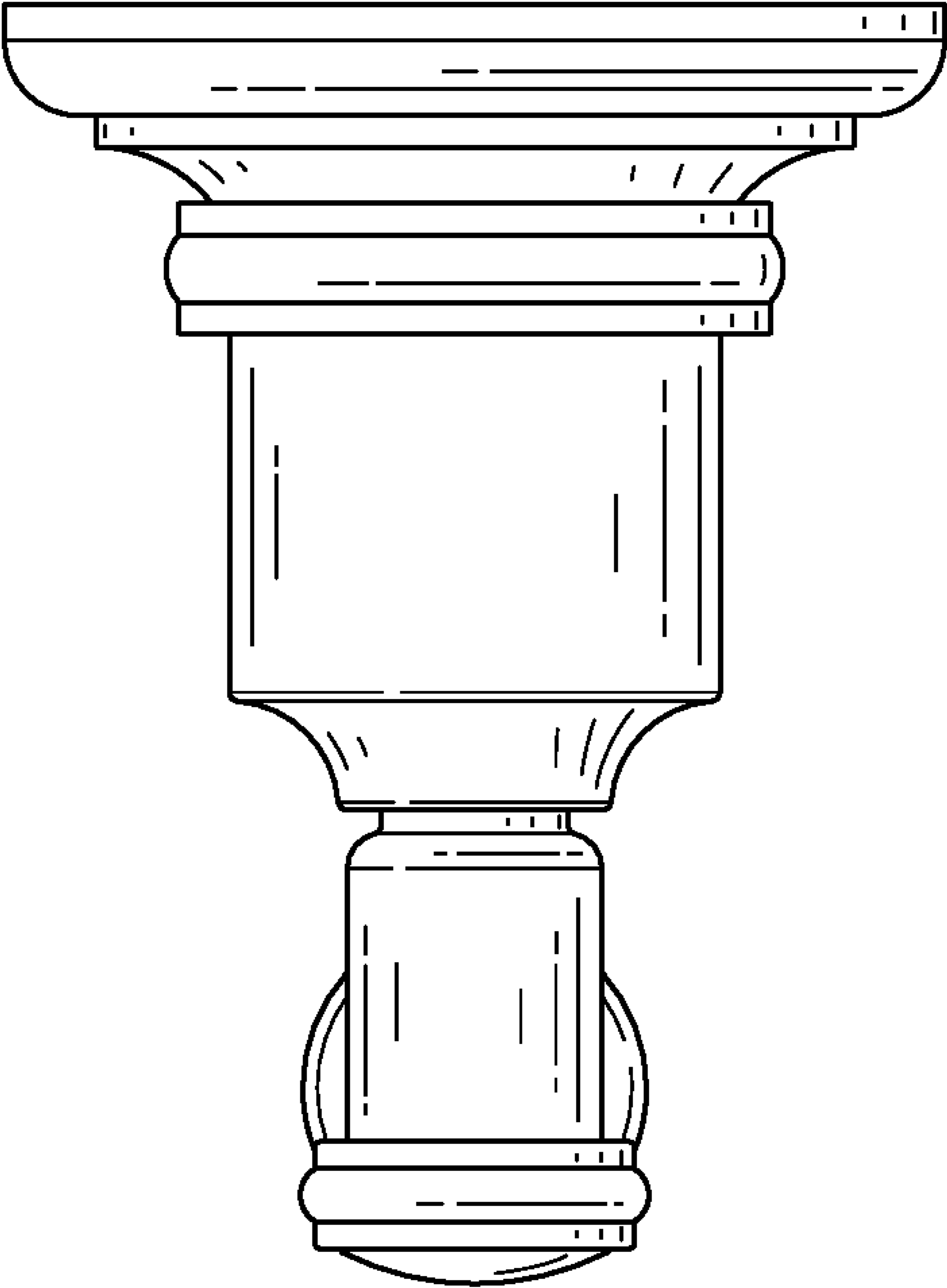


FIG. 2

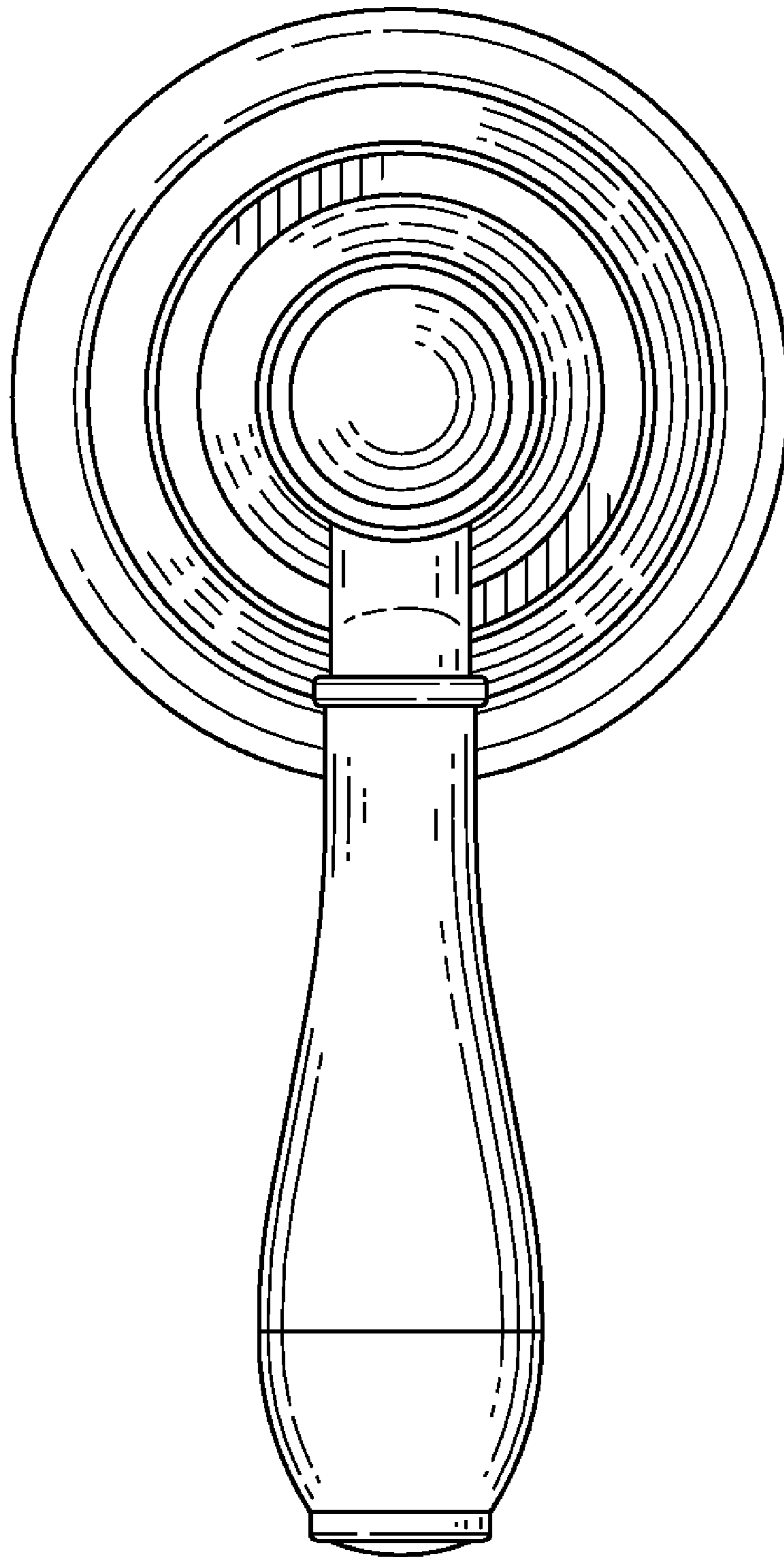


FIG. 3

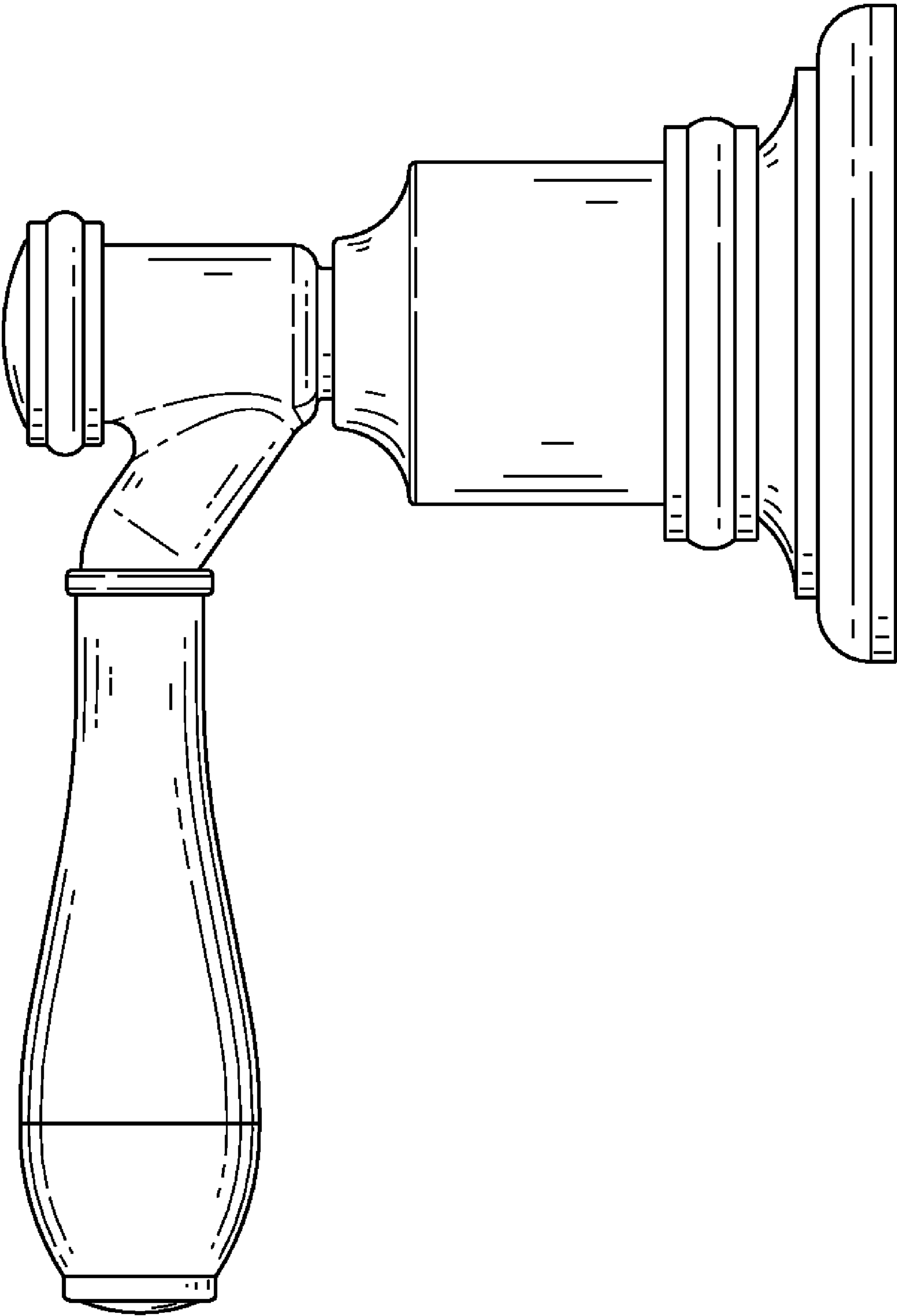


FIG. 4