

US00D579082S

(12) **United States Design Patent**
Yuan

(10) **Patent No.:** **US D579,082 S**
(45) **Date of Patent:** **** Oct. 21, 2008**

(54) **FAUCET HANDLE HUB**

(76) Inventor: **Ai Hui Yuan**, 2431 NW. Irving #24,
Portland, OR (US) 97210

(**) Term: **14 Years**

(21) Appl. No.: **29/270,952**

(22) Filed: **Jan. 5, 2007**

(51) **LOC (8) Cl.** **23-01**

(52) **U.S. Cl.** **D23/250**

(58) **Field of Classification Search** D23/250,
D23/252-254, 238-243, 244-249; 4/675-678;
D8/300, 307-308; D6/550; 137/801; 16/110.1,
16/441

See application file for complete search history.

(56) **References Cited**

U.S. PATENT DOCUMENTS

D83,924 S	4/1931	Sakier	
D346,013 S	4/1994	McKeone	
D455,196 S	4/2002	Caplow	
D456,063 S	4/2002	McKeone	
D466,985 S	12/2002	McKeone	
D476,064 S	6/2003	Smith	
D493,213 S	7/2004	Svendsen	
D522,103 S *	5/2006	Hoernig D23/252
D522,624 S	6/2006	Koury	
D533,643 S *	12/2006	Veltz D23/249

OTHER PUBLICATIONS

U.S. Appl. No. 29/270,953, filed Jan. 5, 2007, PD 1224-B, Patrick S. Dolan.

U.S. Appl. No. 29/270,976, filed Jan. 5, 2007, AY 1229-E, Aihui Yuan.

Sonoma, Model: CIXX Series, As on website: www.homeportfolio.com Oct. 27, 2006.

THG Paris, Model: 151, As on website: www.homeportfolio.com Oct. 27, 2006.

Hamat, Model: 280222/1, As on website: www.faucetdirect.com Oct. 20, 2006.

* cited by examiner

Primary Examiner—Robert A Delehanty

(57) **CLAIM**

The ornamental design for a faucet handle hub, as shown and described.

DESCRIPTION

FIG. 1 is a perspective view thereof;

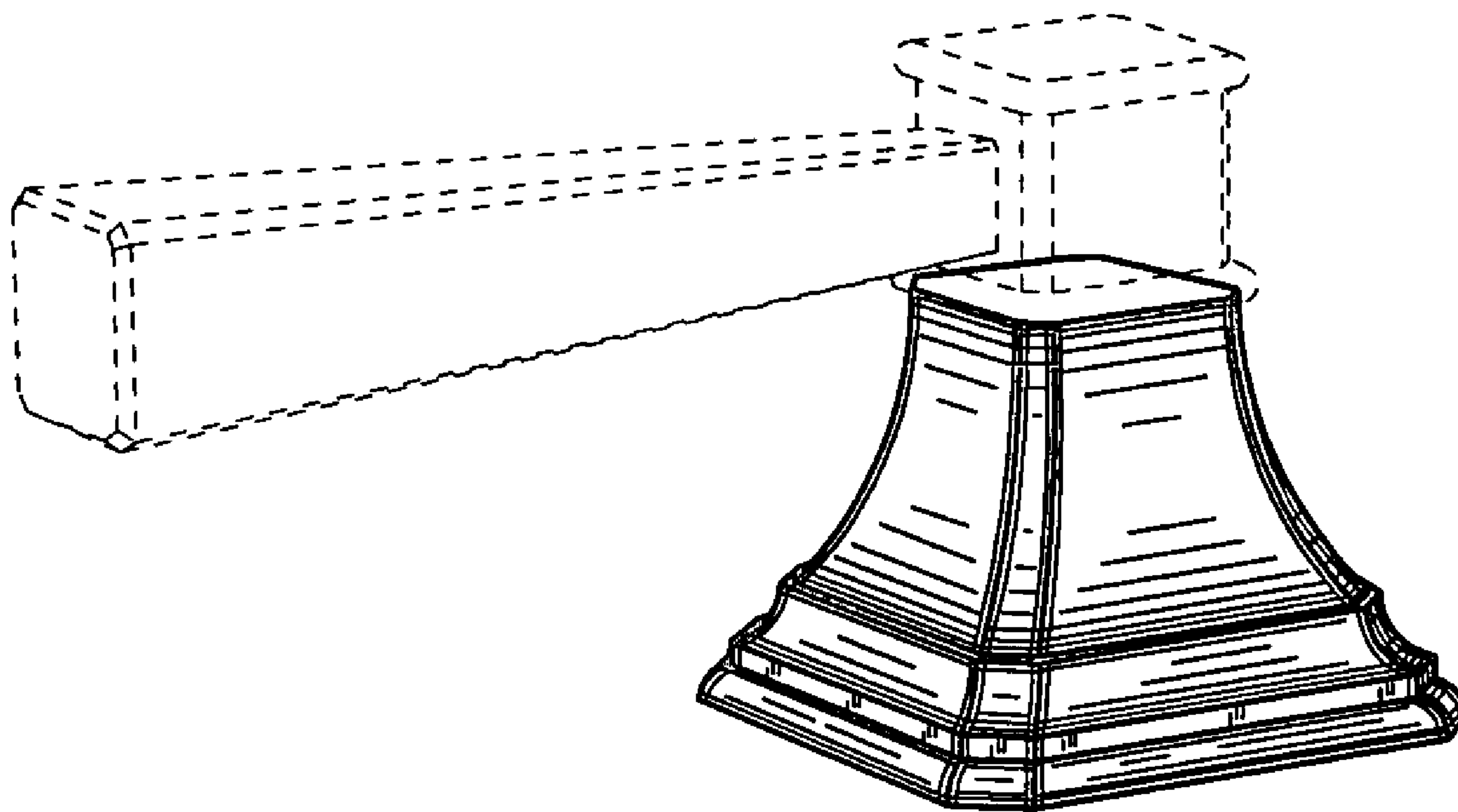
FIG. 2 is a front elevational view thereof;

FIG. 3 is a right side view, the left side view being identical; and,

FIG. 4 is a top plan view thereof.

The broken line showing of environmental structure is for illustrative purposes only and forms no part of the claimed design.

1 Claim, 4 Drawing Sheets



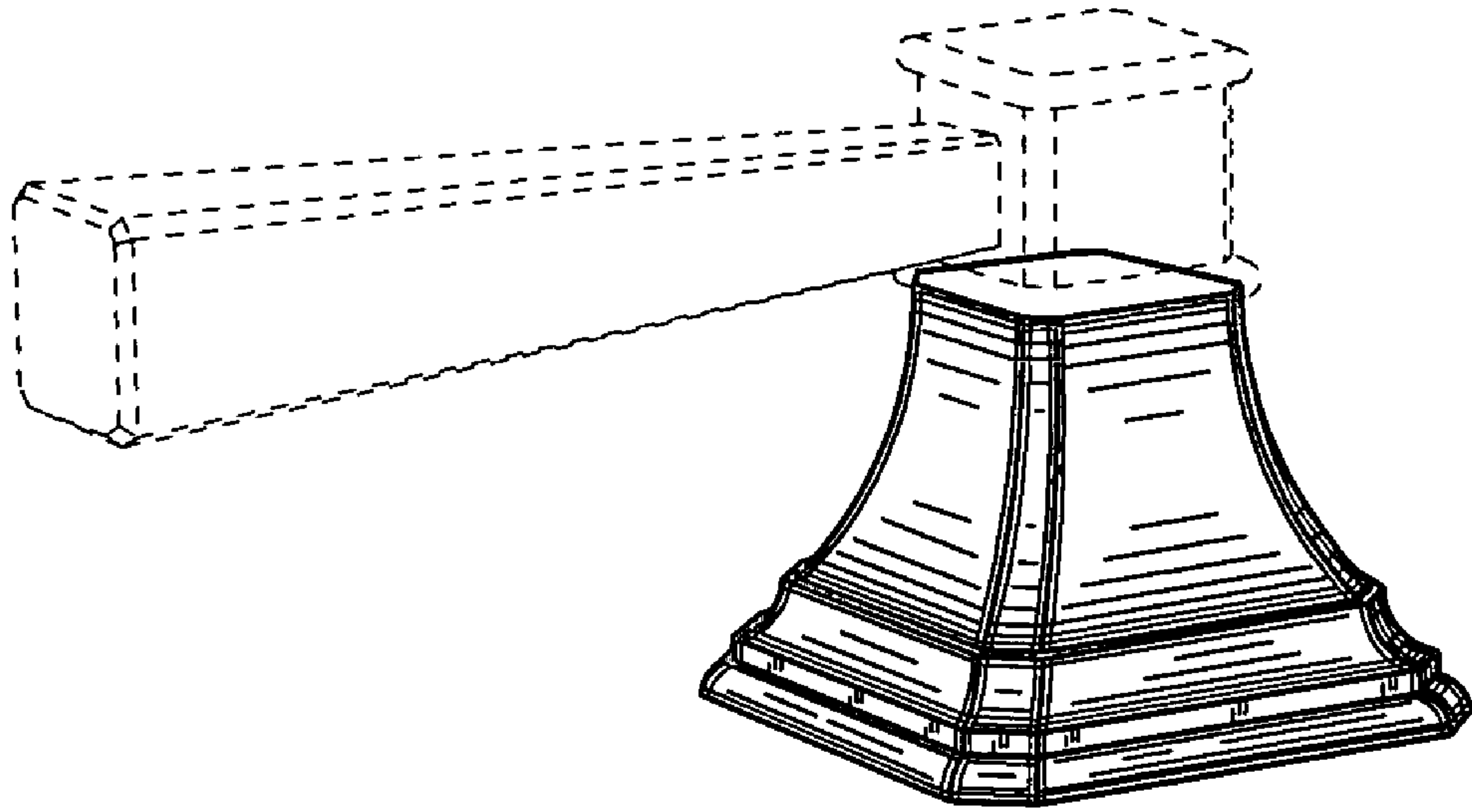


FIG. 1

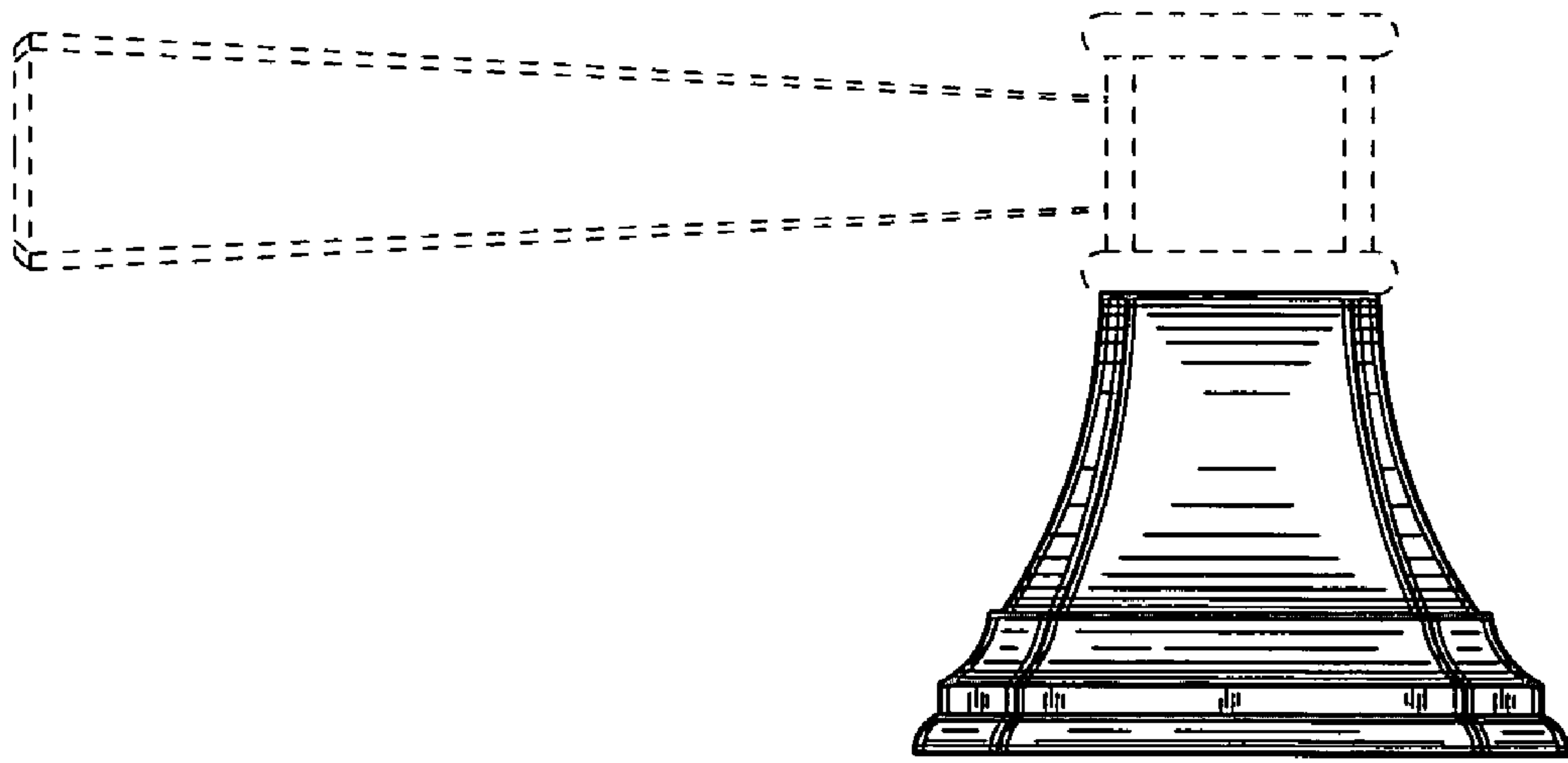


FIG. 2

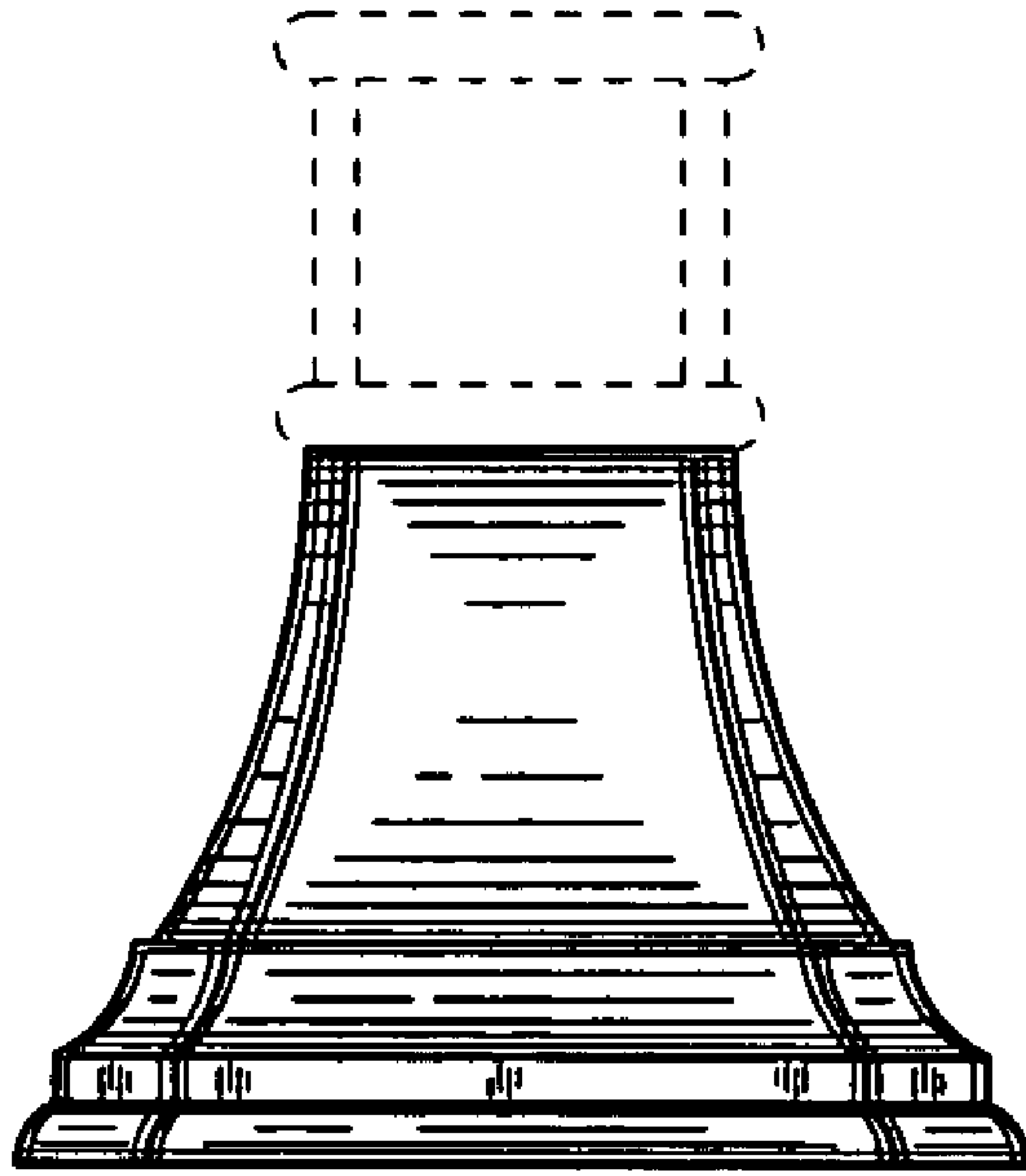


FIG. 3

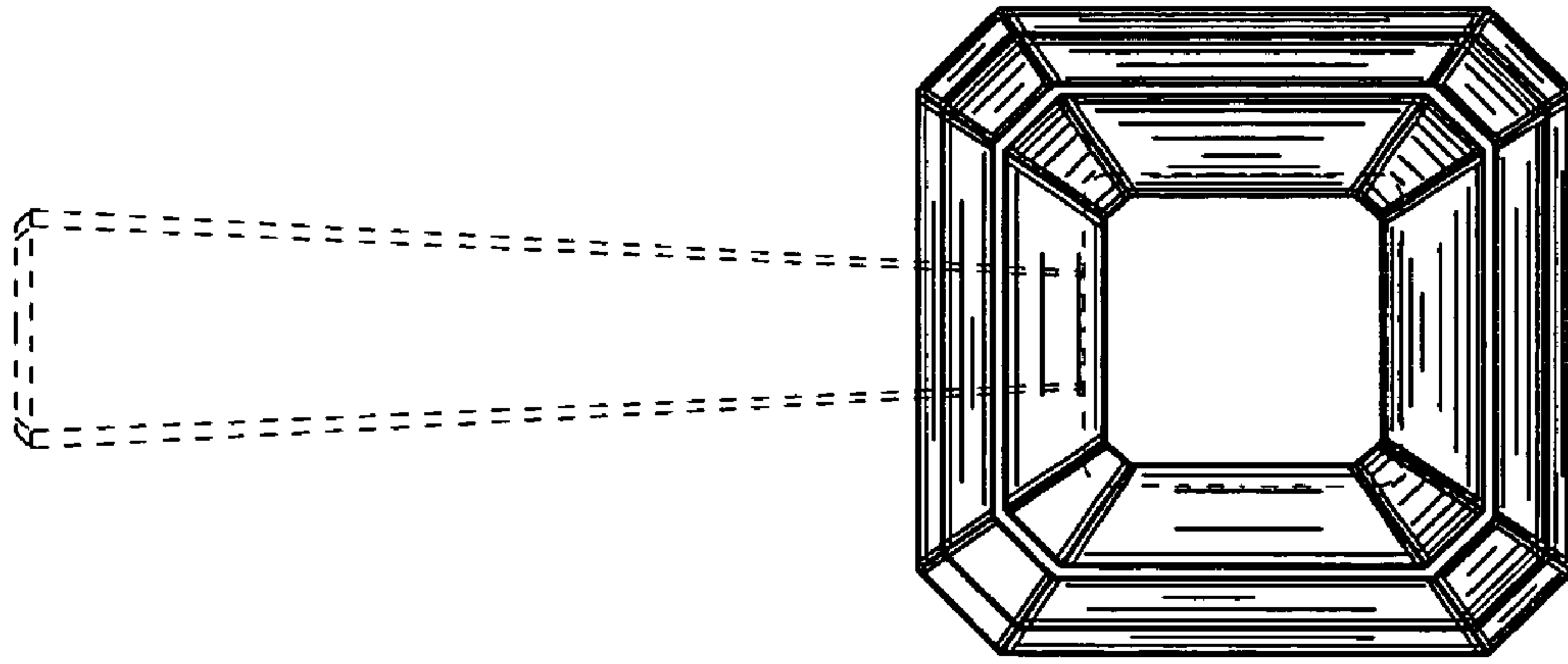


FIG. 4