



US00D579080S

(12) **United States Design Patent**
Zhang

(10) **Patent No.:** **US D579,080 S**
(45) **Date of Patent:** **** Oct. 21, 2008**

(54) **FAUCET**

(75) Inventor: **Yuting Zhang**, Baoan District Shenzhen (CN)

(73) Assignee: **Globe Union Industrial Corp.**, Taichung (TW)

(**) Term: **14 Years**

(21) Appl. No.: **29/281,919**

(22) Filed: **Jul. 6, 2007**

(51) **LOC (8) Cl.** **23-01**

(52) **U.S. Cl.** **D23/238**

(58) **Field of Classification Search** D23/200,
D23/238-257; D6/512, 546, 550; D8/300,
D8/307-308, 310-312, 321; 4/675-678;
137/599.01, 615, 801; 16/110.1, 441
See application file for complete search history.

(56) **References Cited**

U.S. PATENT DOCUMENTS

- 1,510,761 A * 10/1924 Burman 137/615
- 1,838,290 A * 12/1931 Steckel 137/599.01
- D312,118 S * 11/1990 Son D23/238
- D464,711 S * 10/2002 Warshawsky D23/255
- D492,393 S * 6/2004 Herring et al. D23/239

- D497,197 S * 10/2004 Warshawsky D23/242
- D534,992 S * 1/2007 Lobermeier et al. D23/238
- D535,356 S * 1/2007 Kuran et al. D23/238
- D540,435 S * 4/2007 Wilcox et al. D23/243
- D551,324 S * 9/2007 Wilcox et al. D23/238
- D560,762 S * 1/2008 Eckhaus D23/238
- D562,947 S * 2/2008 Zhang D23/243

* cited by examiner

Primary Examiner—Robert A. Delhanty

Assistant Examiner—Mark Cavanna

(74) *Attorney, Agent, or Firm*—Leong C. Lei

(57) **CLAIM**

The ornamental design for a faucet, as shown and described.

DESCRIPTION

FIG. 1 is a perspective view of a faucet showing my new design;

FIG. 2 is a front elevational view thereof;

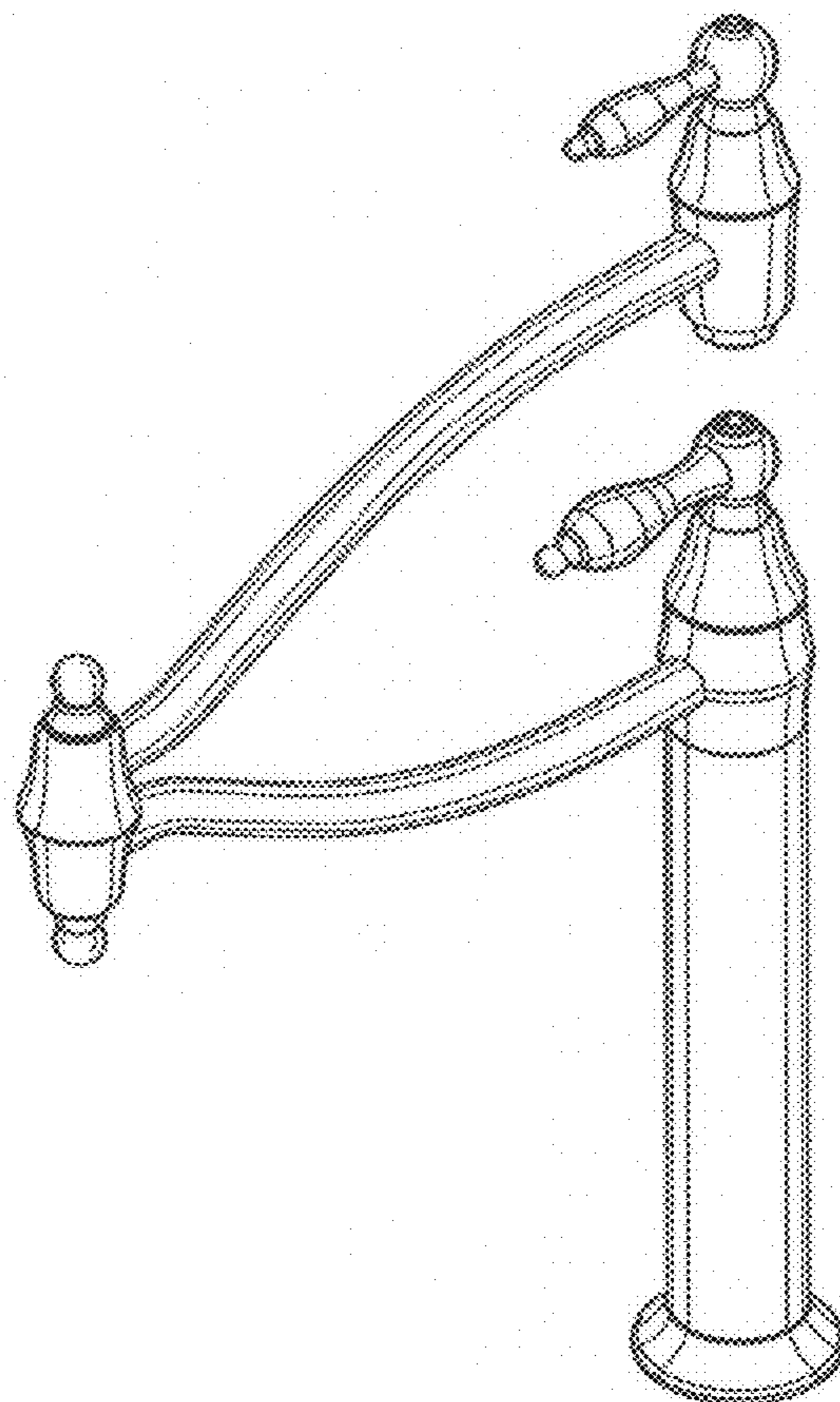
FIG. 3 is a rear elevational view thereof;

FIG. 4 is a left side elevational view thereof;

FIG. 5 is a right side elevational view thereof; and,

FIG. 6 is a top plan view thereof.

1 Claim, 6 Drawing Sheets



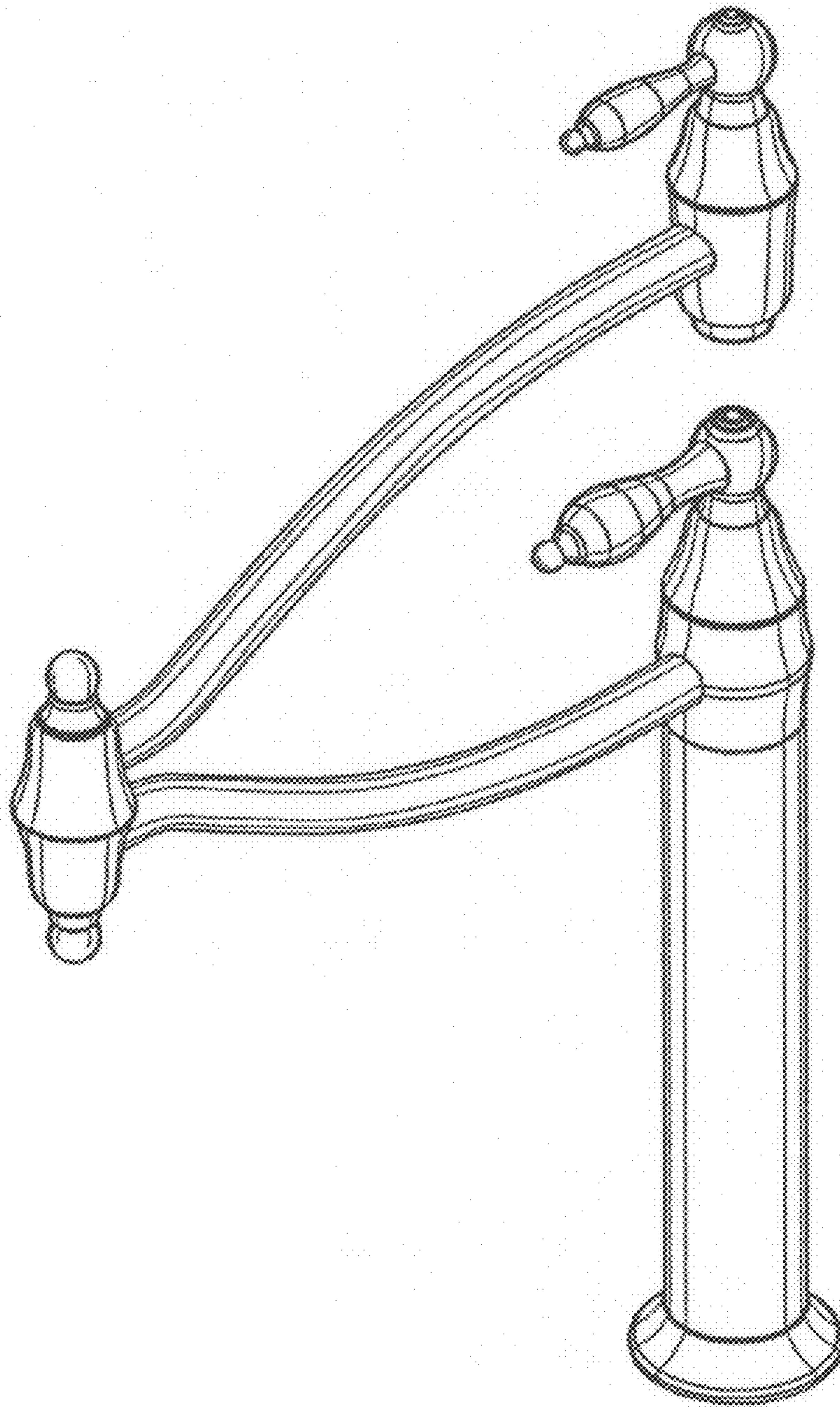


FIG. 1

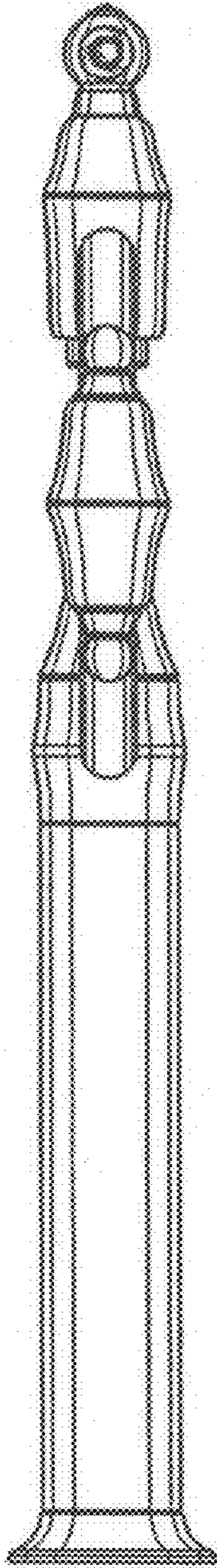


FIG. 2

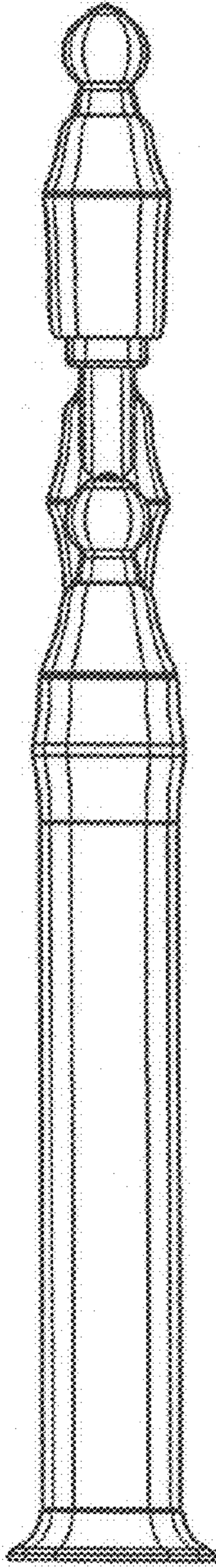


FIG. 3

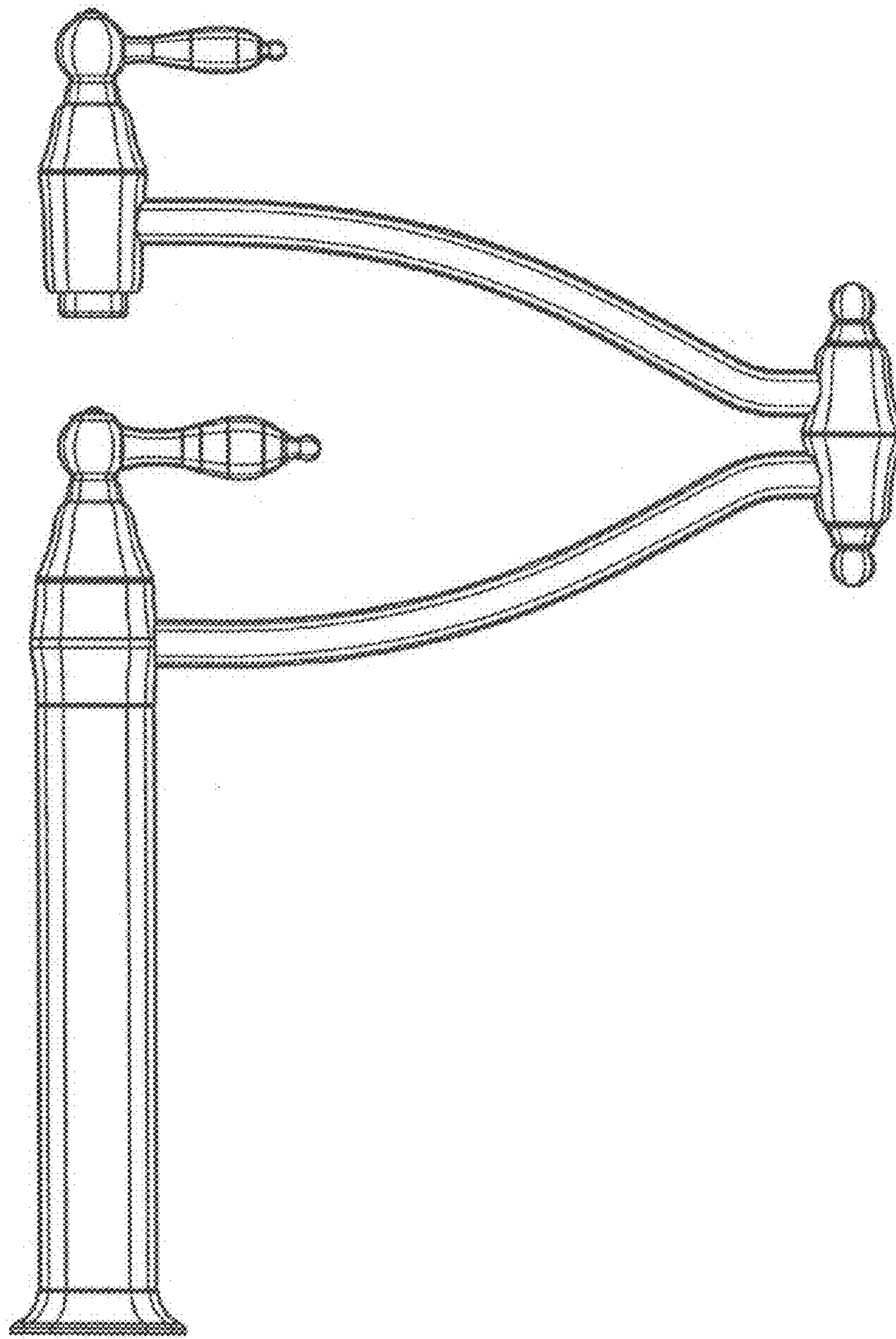


FIG. 4

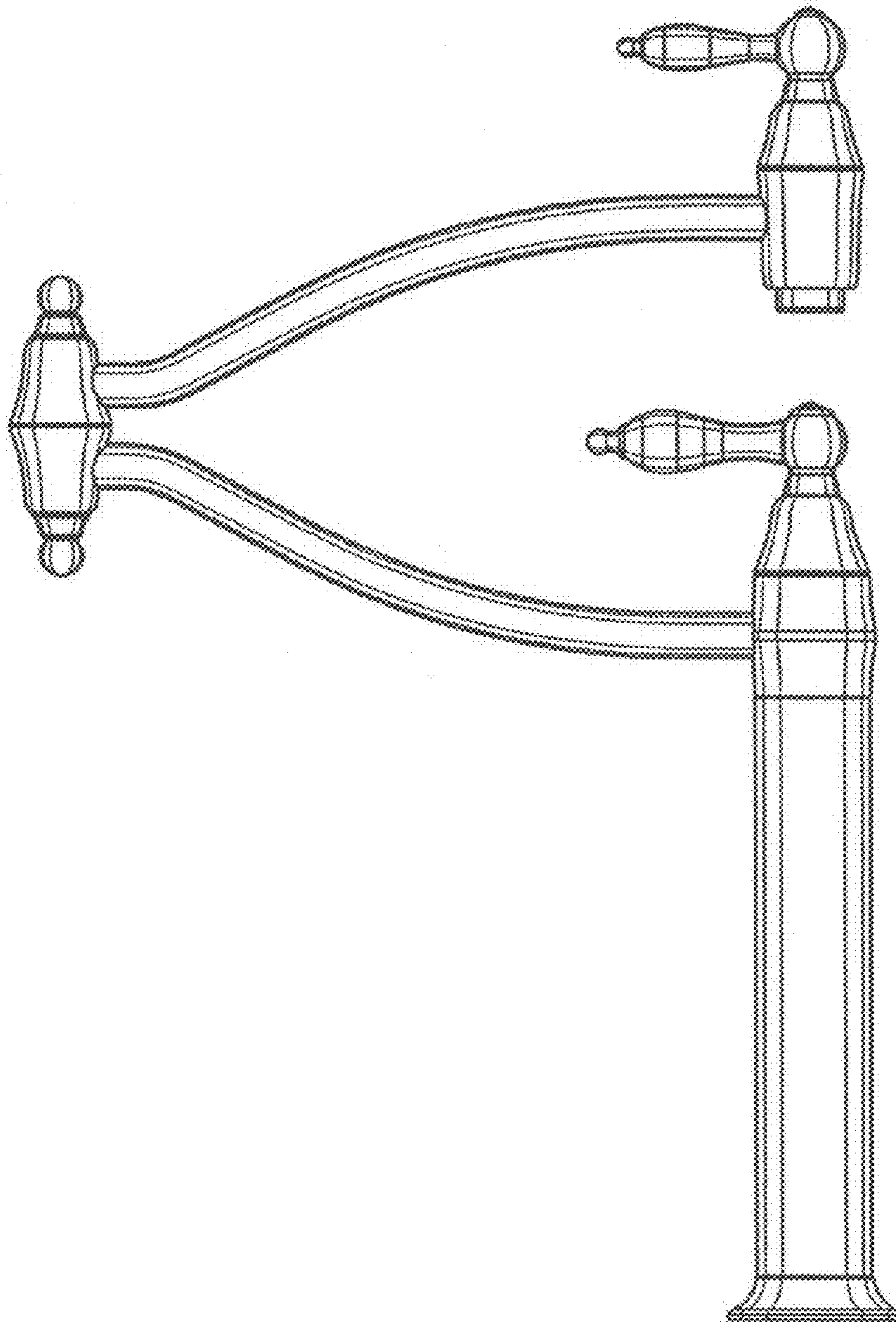


FIG. 5

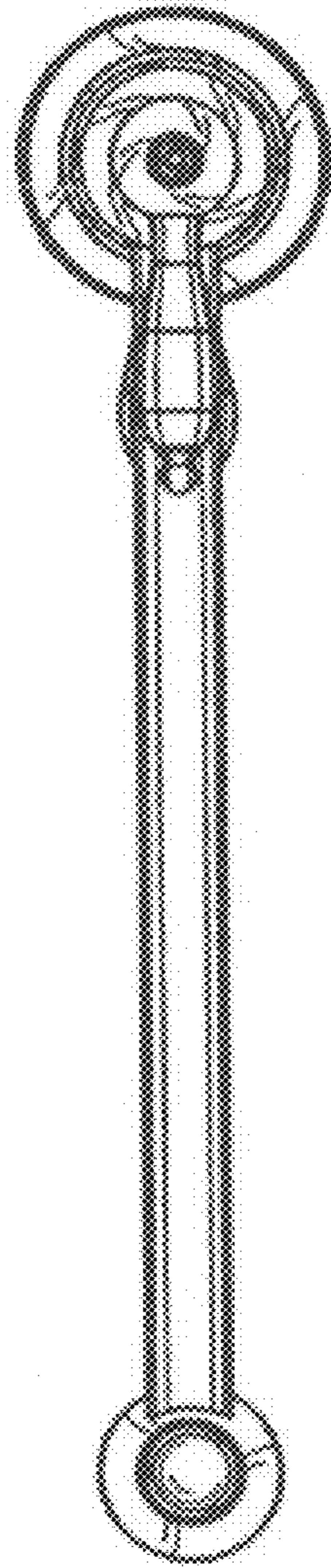


FIG. 6