



US00D579077S

(12) **United States Design Patent**  
**Quintel**

(10) **Patent No.:** **US D579,077 S**  
(45) **Date of Patent:** **\*\* Oct. 21, 2008**

(54) **FILTER HOUSING**

(75) Inventor: **Mark Anthony Quintel**, Kalamazoo, MI  
(US)

(73) Assignee: **Eaton Corporation**, Cleveland, OH  
(US)

(\*\*) Term: **14 Years**

(21) Appl. No.: **29/289,685**

(22) Filed: **Jul. 30, 2007**

(51) **LOC (8) Cl.** ..... **23-01**

(52) **U.S. Cl.** ..... **D23/209**

(58) **Field of Classification Search** ..... D23/207,  
D23/209; 210/250, 446

See application file for complete search history.

(56) **References Cited**

**U.S. PATENT DOCUMENTS**

5,992,643 A \* 11/1999 Scrogam et al. .... 210/439  
6,372,132 B1 \* 4/2002 Williams ..... 210/232  
D507,325 S \* 7/2005 McClean ..... D23/207

D508,281 S \* 8/2005 McClean ..... D23/207  
7,018,544 B2 \* 3/2006 Veenstra et al. .... 210/748  
7,217,364 B2 \* 5/2007 Lauer et al. .... 210/321.79

\* cited by examiner

*Primary Examiner*—Robin V Webster

(74) *Attorney, Agent, or Firm*—Daniel S. Kalka

(57) **CLAIM**

The ornamental design for a filter housing, substantially as shown and described.

**DESCRIPTION**

FIG. 1 is an elevated perspective view of the filter housing;

FIG. 2 is a top view of the filter housing;

FIG. 3 is a back view of the filter housing;

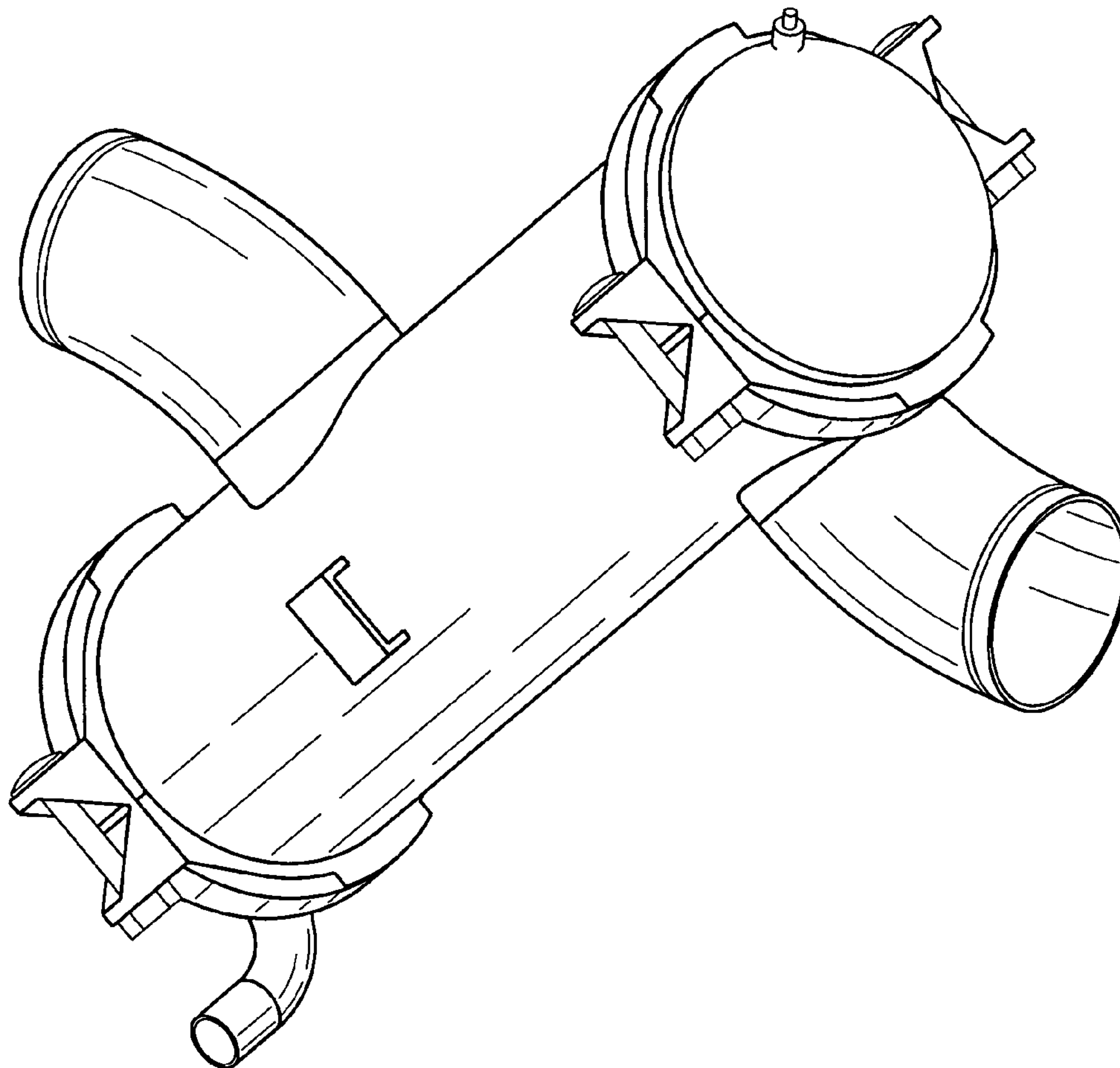
FIG. 4 is a right side view of the filter housing;

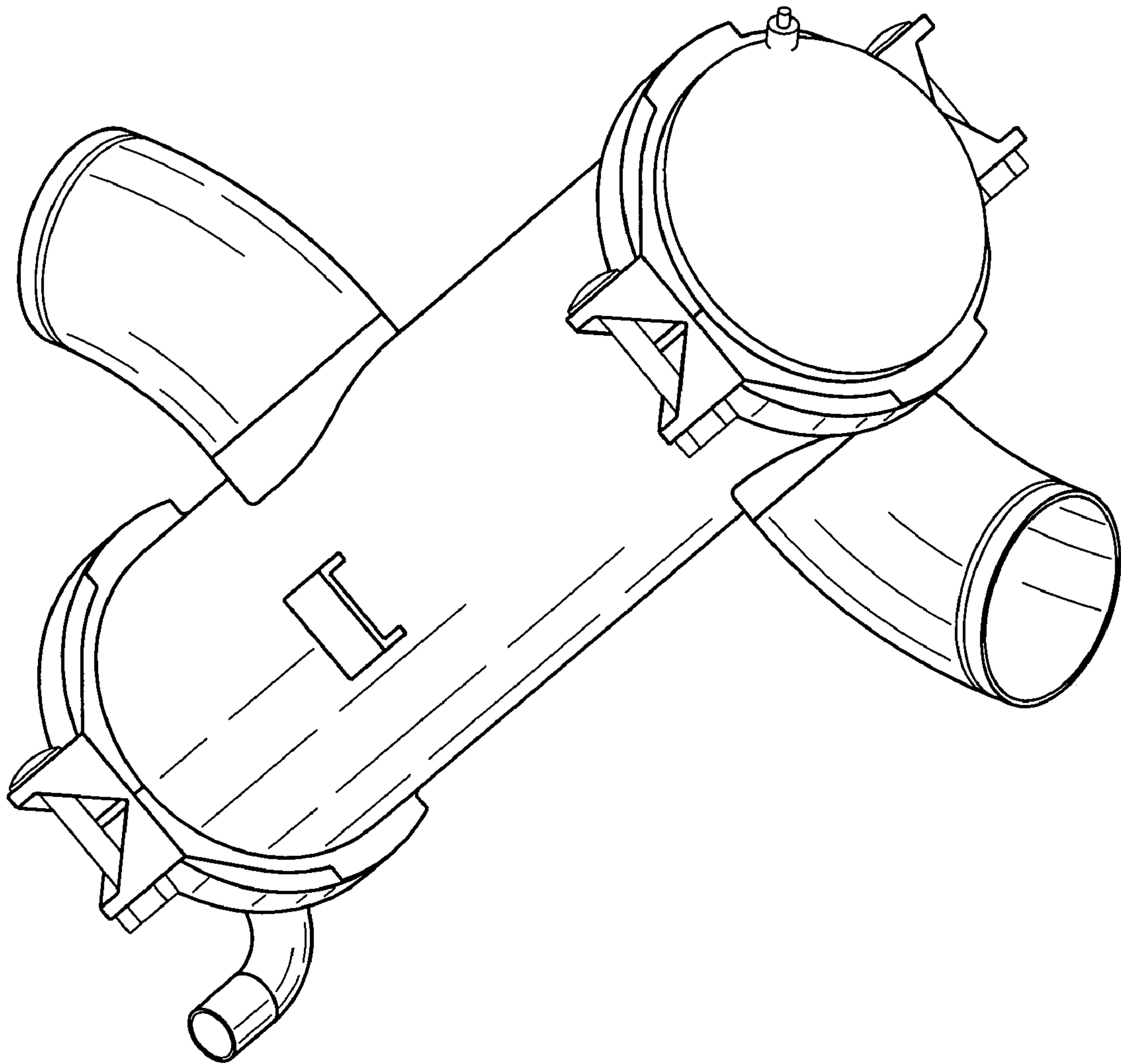
FIG. 5 is a front view of the filter housing;

FIG. 6 is a left side view of the filter housing; and,

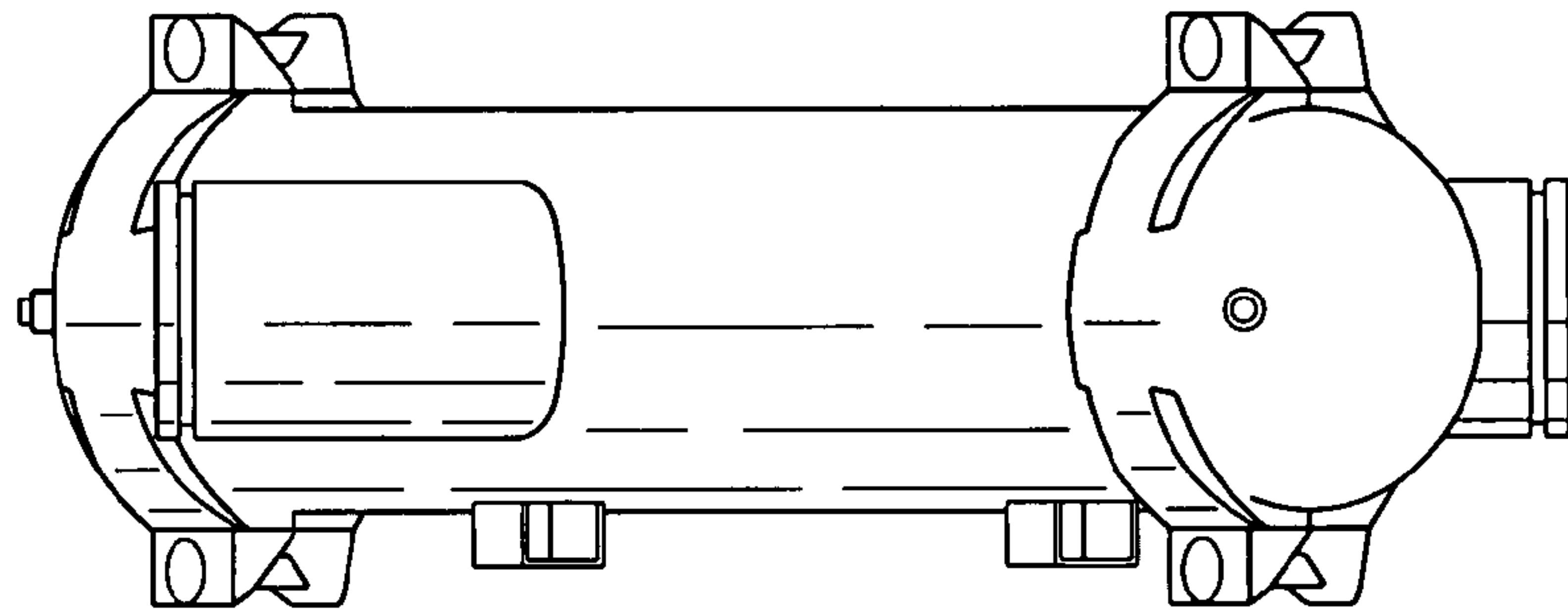
FIG. 7 is a bottom view of the filter housing.

**1 Claim, 3 Drawing Sheets**

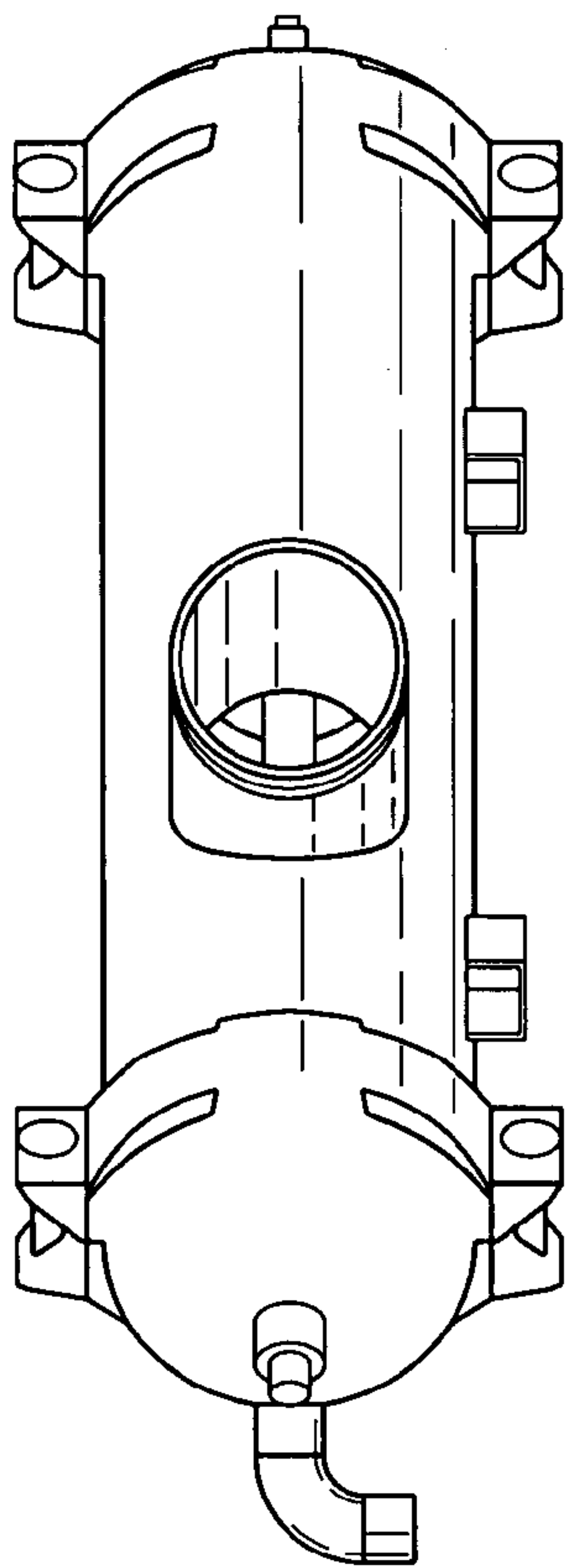




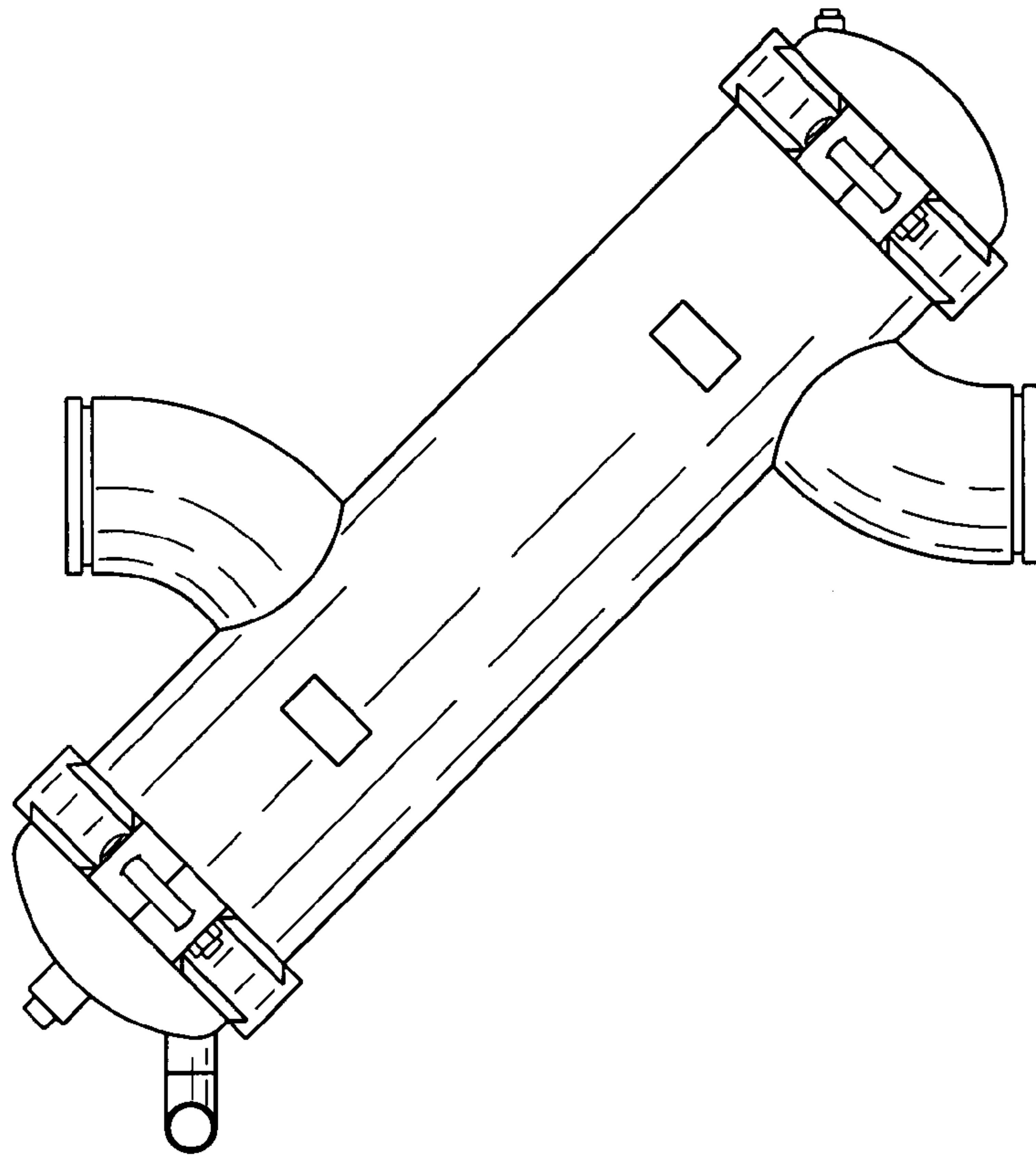
*Fig. 1*



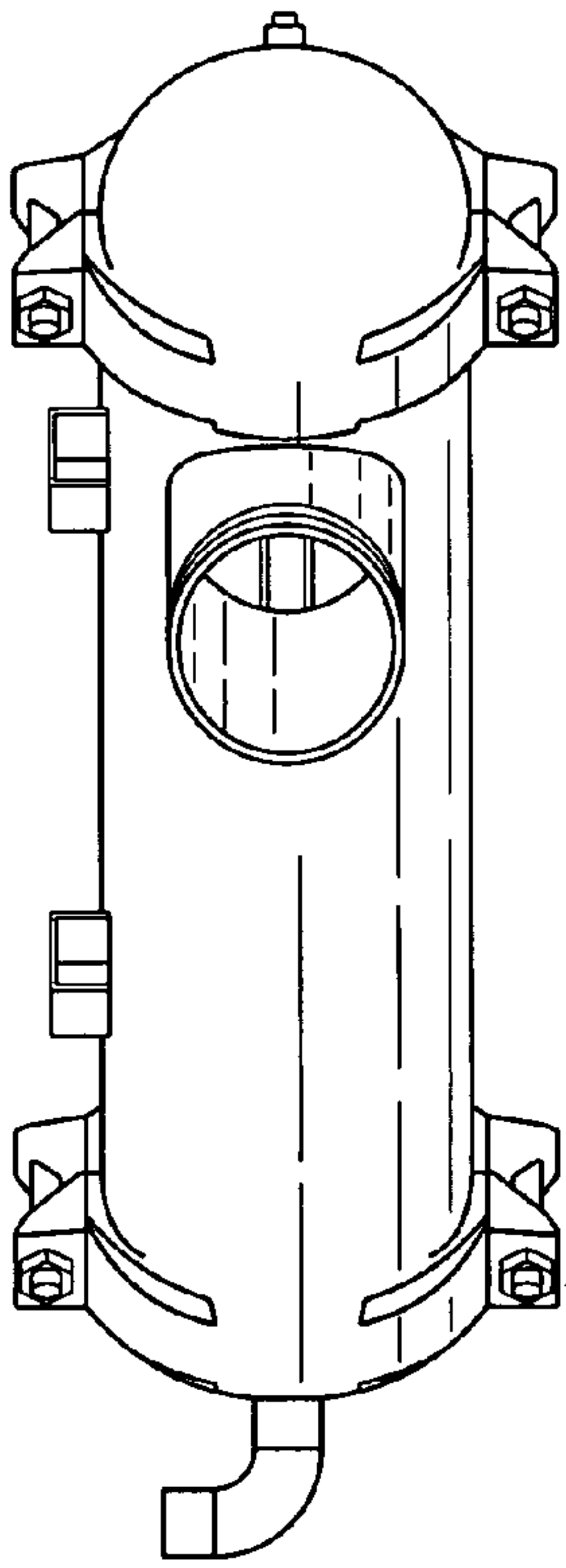
*Fig. 2*



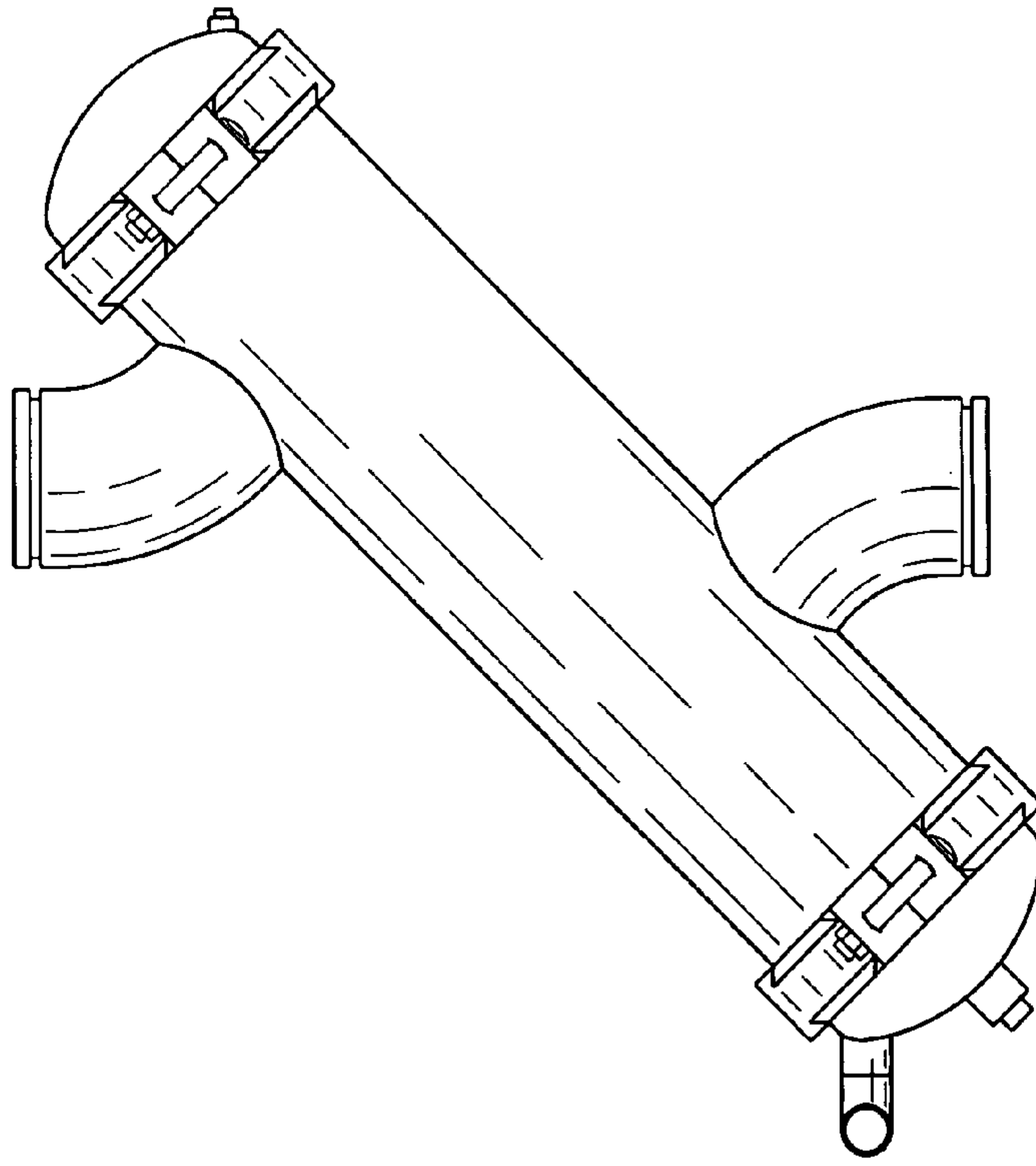
*Fig. 3*



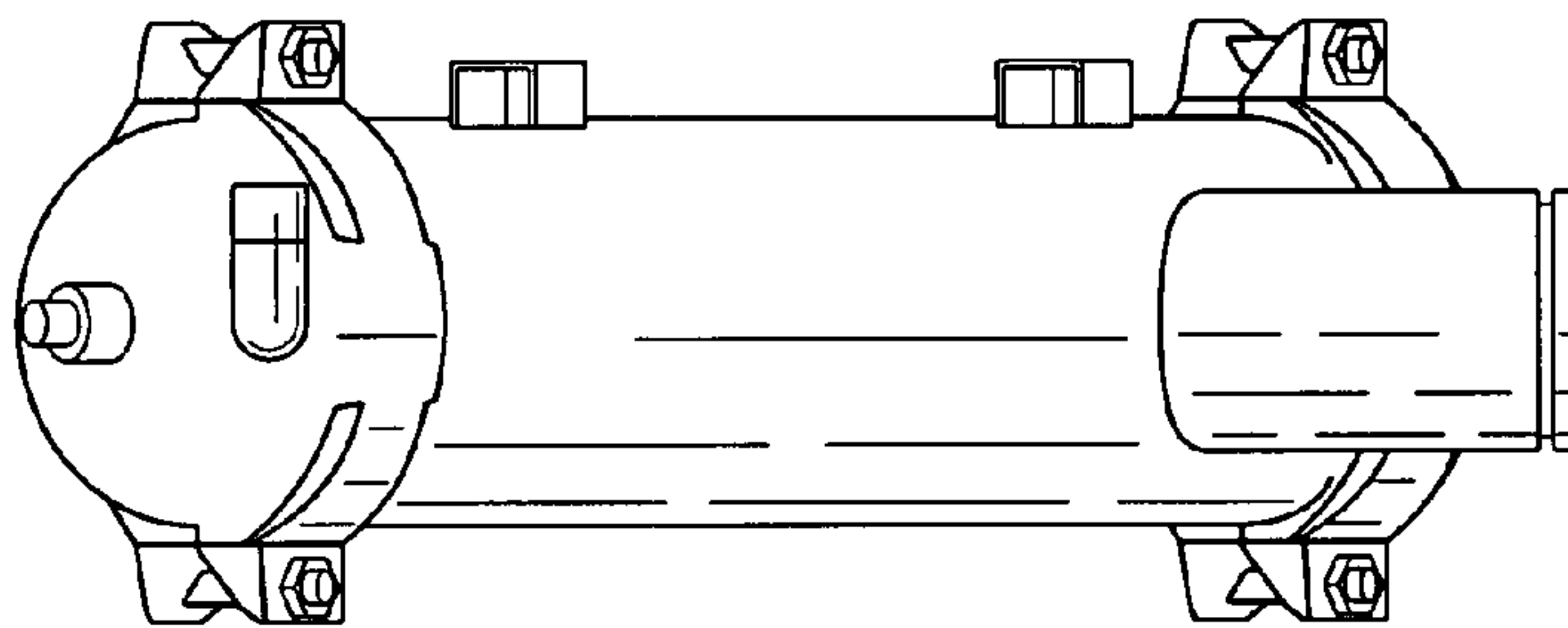
*Fig. 4*



*Fig. 5*



*Fig. 6*



*Fig. 7*