



US00D579076S

(12) **United States Design Patent**
Altman

(10) **Patent No.:** **US D579,076 S**

(45) **Date of Patent:** **** Oct. 21, 2008**

(54) **FISHING LURE**

(76) Inventor: **Jeremy Altman**, P.O. Box 212333,
Martinez, GA (US) 30917

(**) Term: **14 Years**

(21) Appl. No.: **29/294,895**

(22) Filed: **Jan. 31, 2008**

(51) **LOC (8) Cl.** **22-05**

(52) **U.S. Cl.** **D22/144**

(58) **Field of Classification Search** D22/144,
D22/126-133; 43/42.37, 42.41, 42.35, 42.2,
43/42.4, 42.6, 42.25, 42.13, 42.19, 17.6,
43/42.34, 42.31

See application file for complete search history.

(56) **References Cited**

U.S. PATENT DOCUMENTS

D488,206 S *	4/2004	Becker	D22/126
D544,068 S *	6/2007	Becker	D22/144
D560,749 S *	1/2008	Moore	D22/144

* cited by examiner

Primary Examiner—Catherine R Oliver

(74) *Attorney, Agent, or Firm*—Gunn & Lee, P.C.; John C. Cave

(57) **CLAIM**

The ornamental design for a fishing lure, as shown and described.

DESCRIPTION

FIG. 1 is a perspective view of the fishing lure.

FIG. 2 is a top view thereof.

FIG. 3 is a left side view (as seen from the front) thereof.

FIG. 4 is a front view thereof.

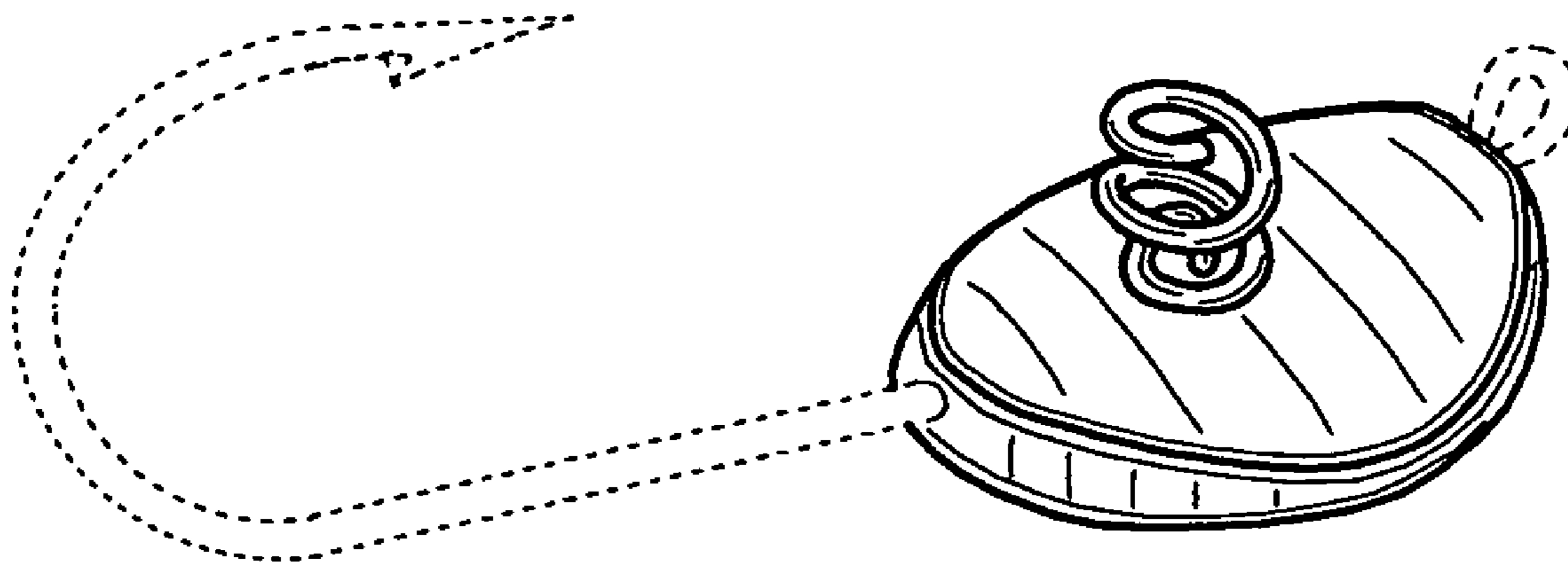
FIG. 5 is a bottom view thereof.

FIG. 6 is a right side view (as seen from the front) thereof; and,

FIG. 7 is a rear view thereof.

The broken line showing of environment in the drawings is included for the purpose of illustrating only and forms no part of the claimed design.

1 Claim, 2 Drawing Sheets



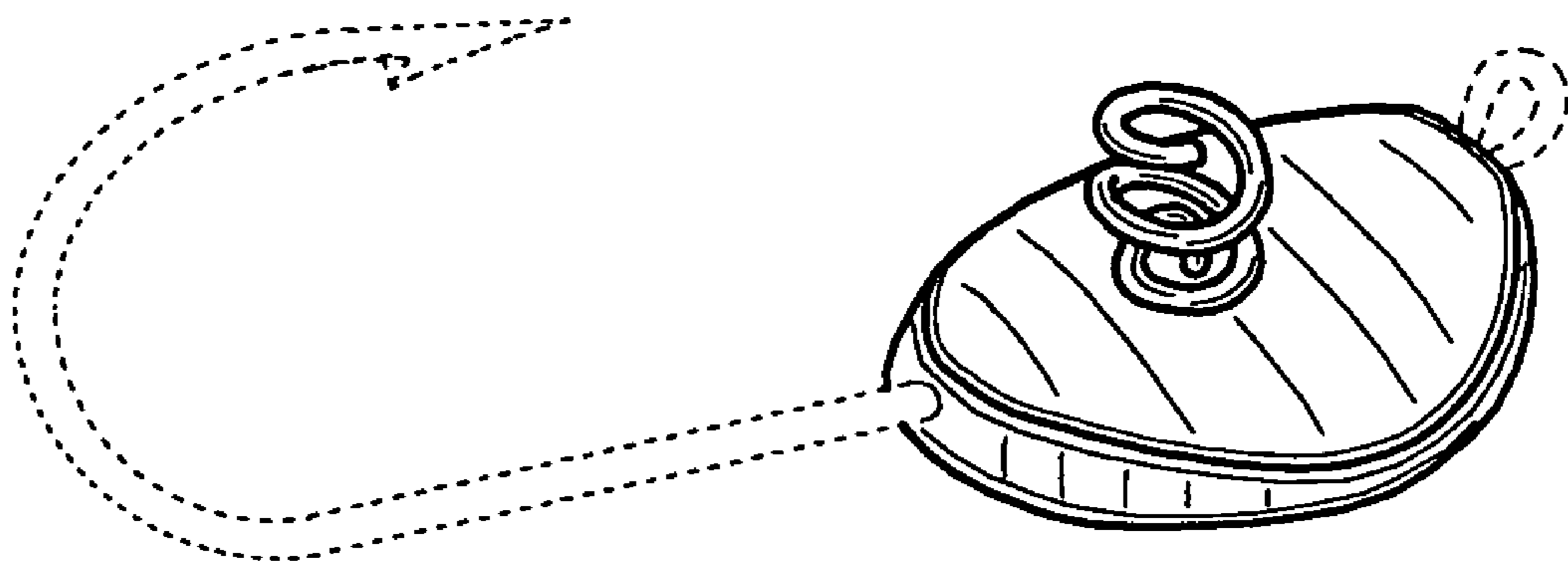


Fig. 1

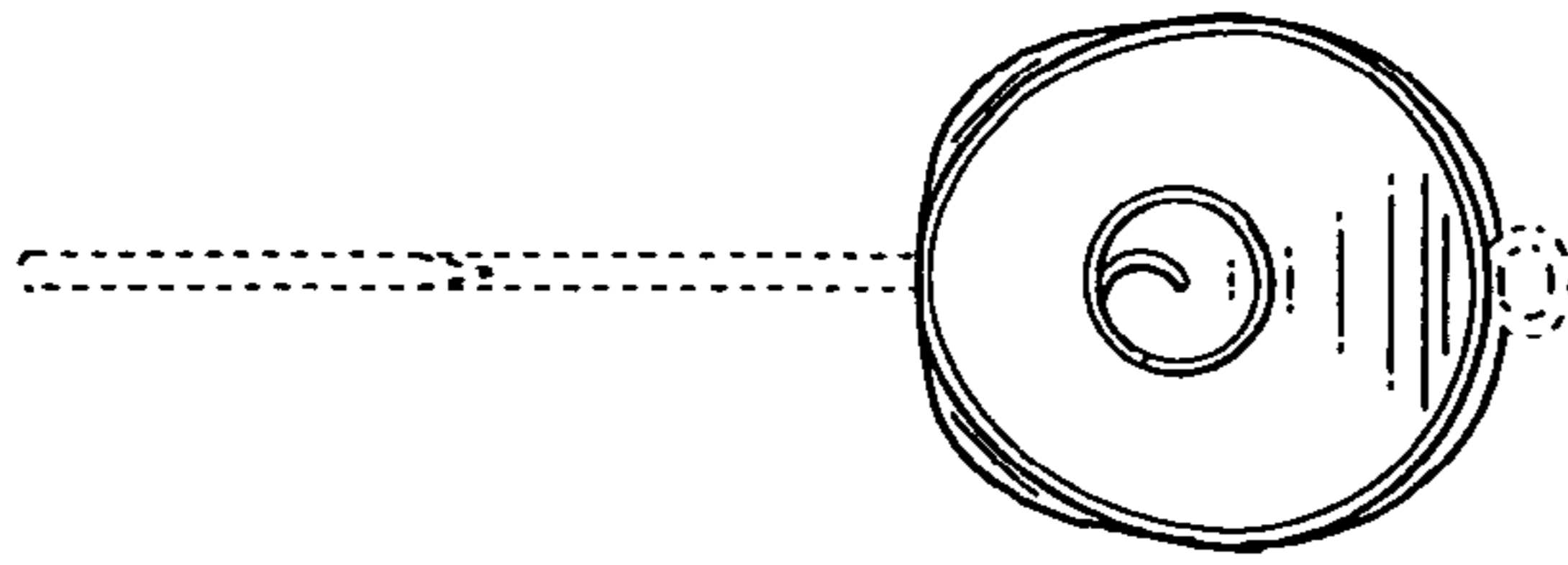


Fig. 2

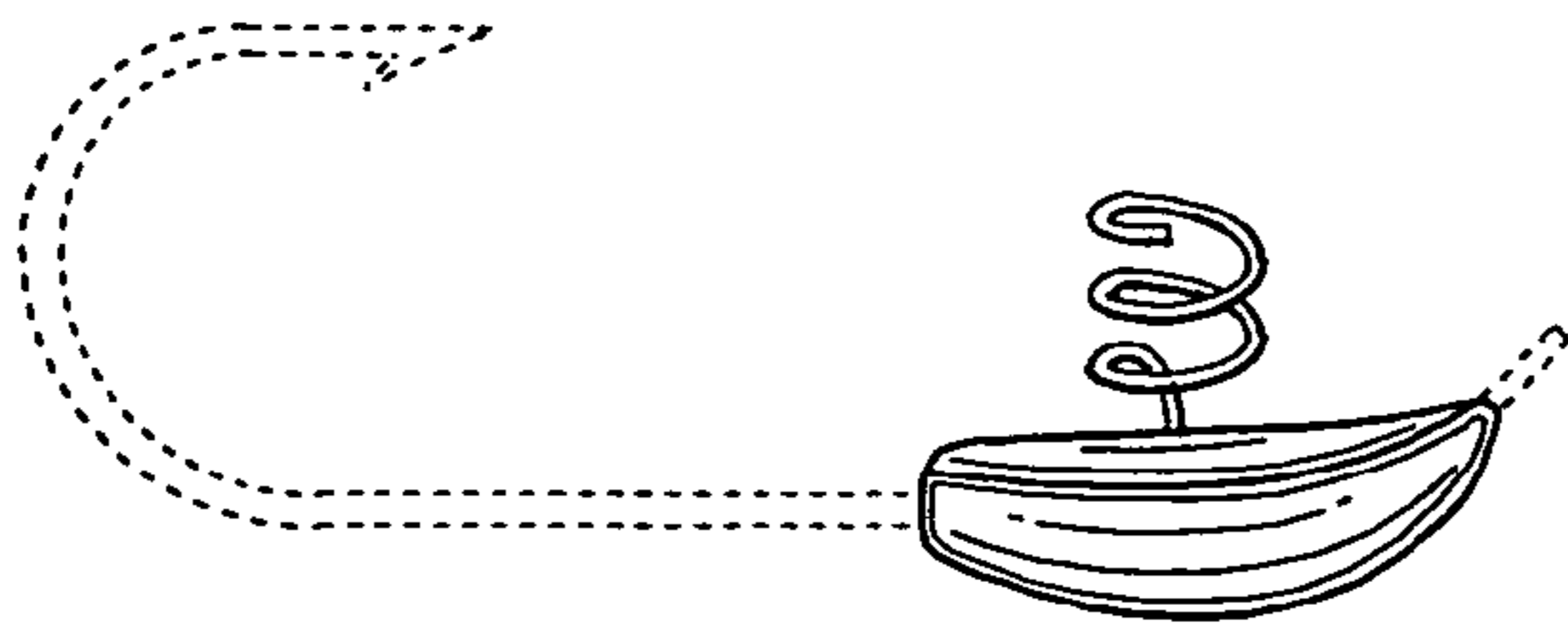


Fig. 3

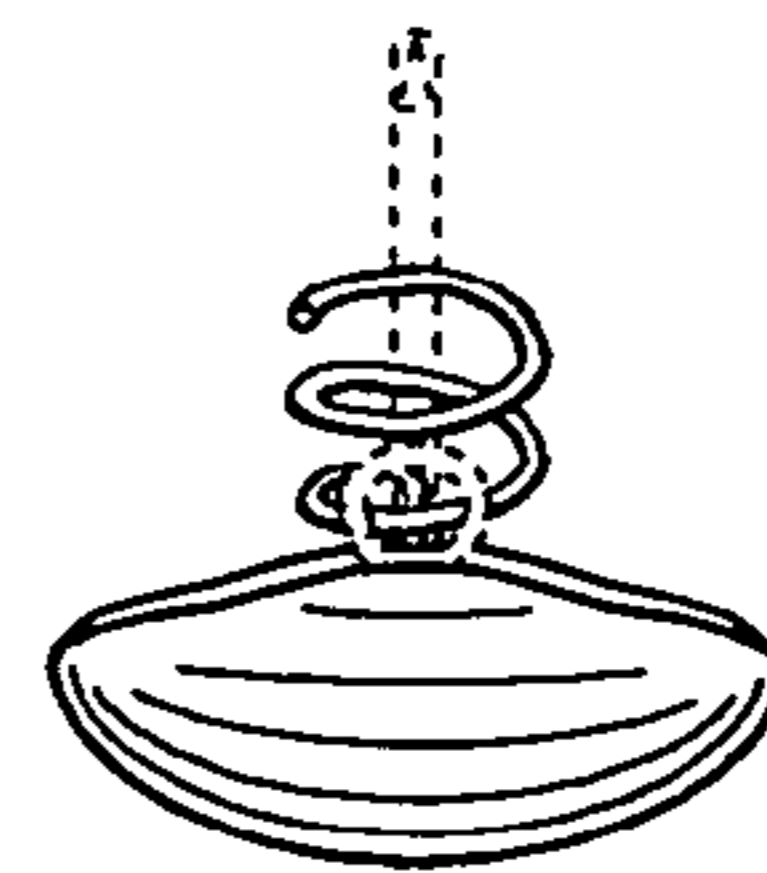


Fig. 4

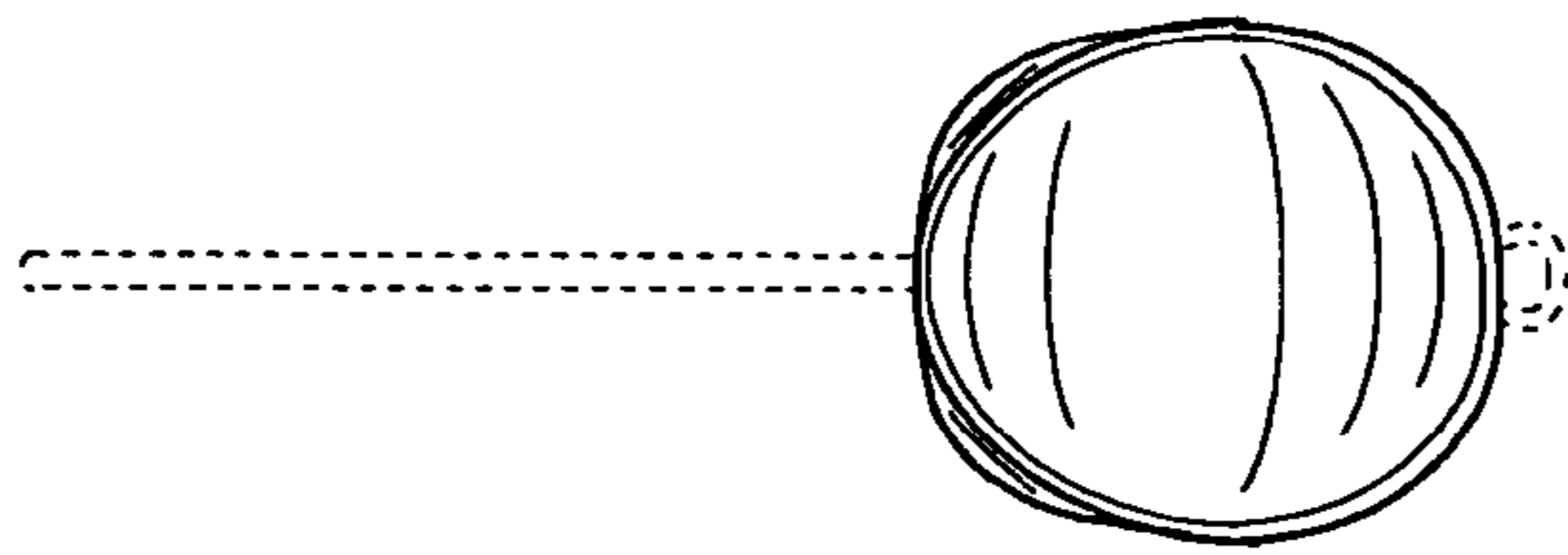


Fig. 5

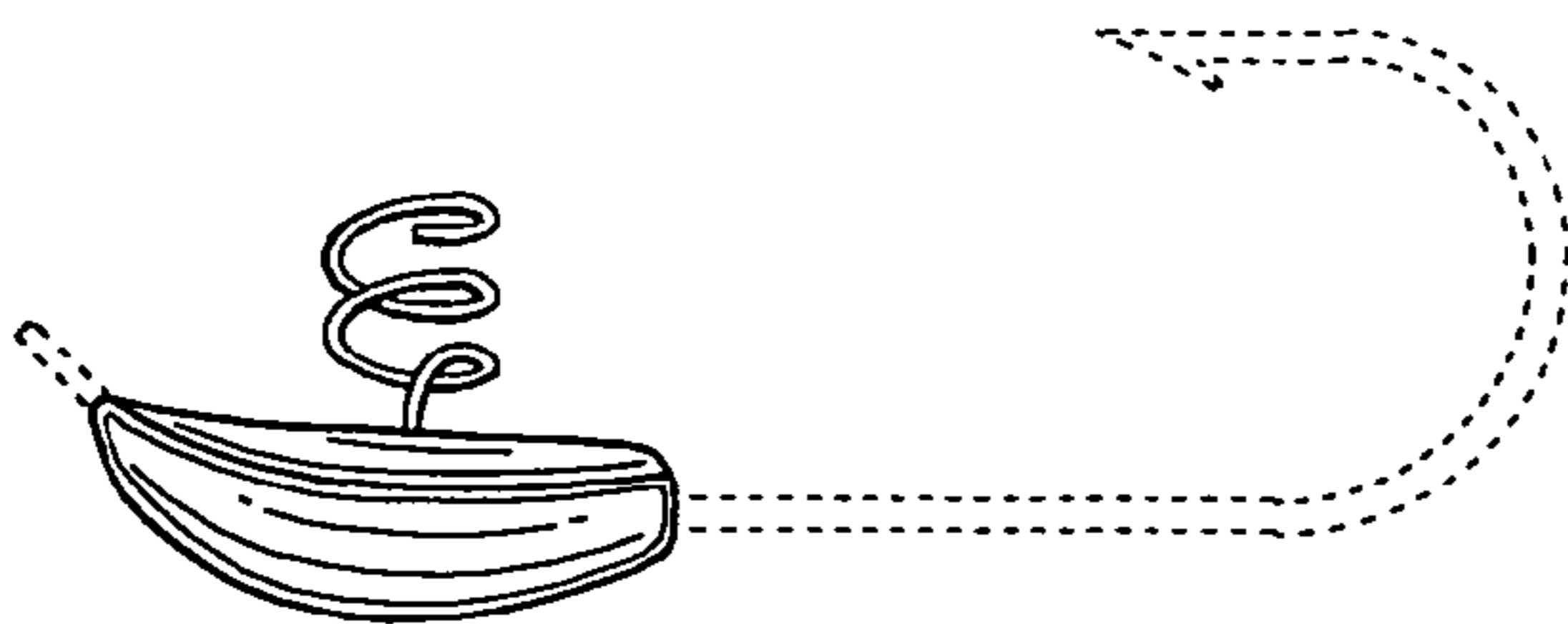


Fig. 6

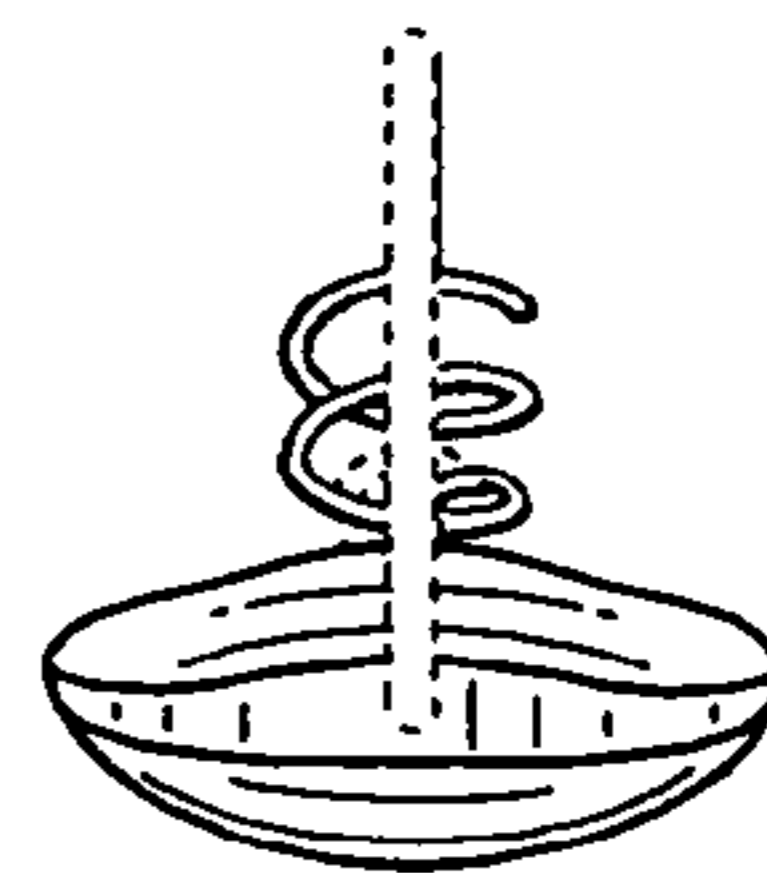


Fig. 7