



US00D579074S

(12) **United States Design Patent**
Altman

(10) **Patent No.:** **US D579,074 S**
(45) **Date of Patent:** **** Oct. 21, 2008**

(54) **FISHING LURE**

(76) Inventor: **Jeremy Altman**, P.O. Box 212333,
Martinez, GA (US) 30917

(**) Term: **14 Years**

(21) Appl. No.: **29/294,896**

(22) Filed: **Jan. 31, 2008**

(51) **LOC (8) Cl.** **22-05**

(52) **U.S. Cl.** **D22/129**

(58) **Field of Classification Search** D22/126-133,
D22/144; 43/42.13, 42.14, 42.19, 42.11,
43/42.5, 42.17, 42.15, 42.31, 42.33

See application file for complete search history.

(56) **References Cited**

U.S. PATENT DOCUMENTS

4,551,940	A *	11/1985	East	43/42.11
6,199,312	B1 *	3/2001	Link	43/42.24
D450,368	S *	11/2001	Lummis	D22/129
D539,379	S *	3/2007	Stazo	D22/144

* cited by examiner

Primary Examiner—Catherine R Oliver
(74) *Attorney, Agent, or Firm*—Gunn & Lee, P.C.; John C. Cave

(57) **CLAIM**

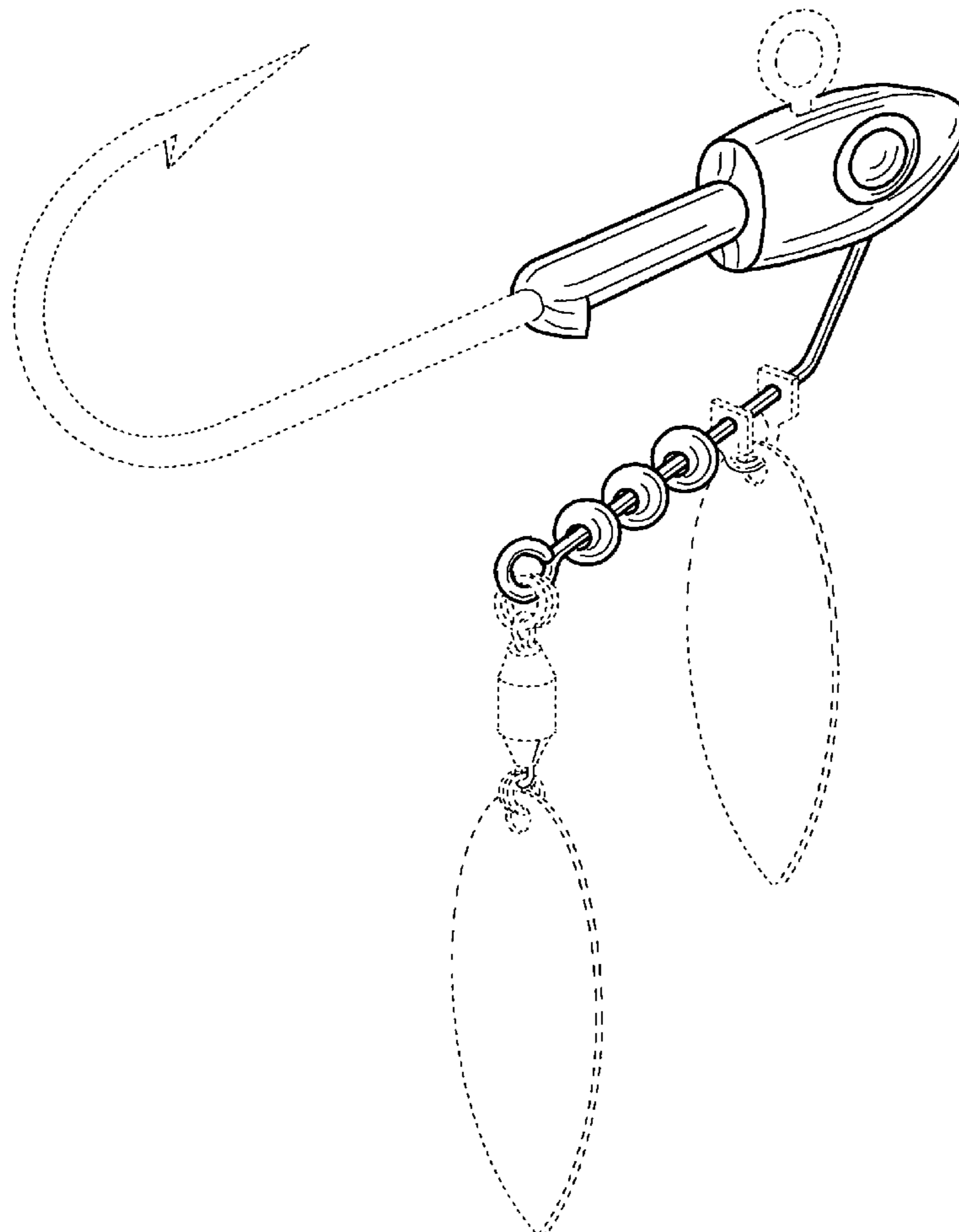
The ornamental design for a fishing lure, as shown and described.

DESCRIPTION

FIG. 1 is a perspective view of the fishing lure.
FIG. 2 is a top view thereof.
FIG. 3 is a left side view (as seen from the front) thereof.
FIG. 4 is a front view thereof.
FIG. 5 is a right side view (as seen from the front) thereof.
FIG. 6 is a rear view thereof; and,
FIG. 7 is a bottom view thereof.

The broken line showing of environment in the drawings is included for the purpose of illustrating only and forms no part of the claimed design.

1 Claim, 3 Drawing Sheets



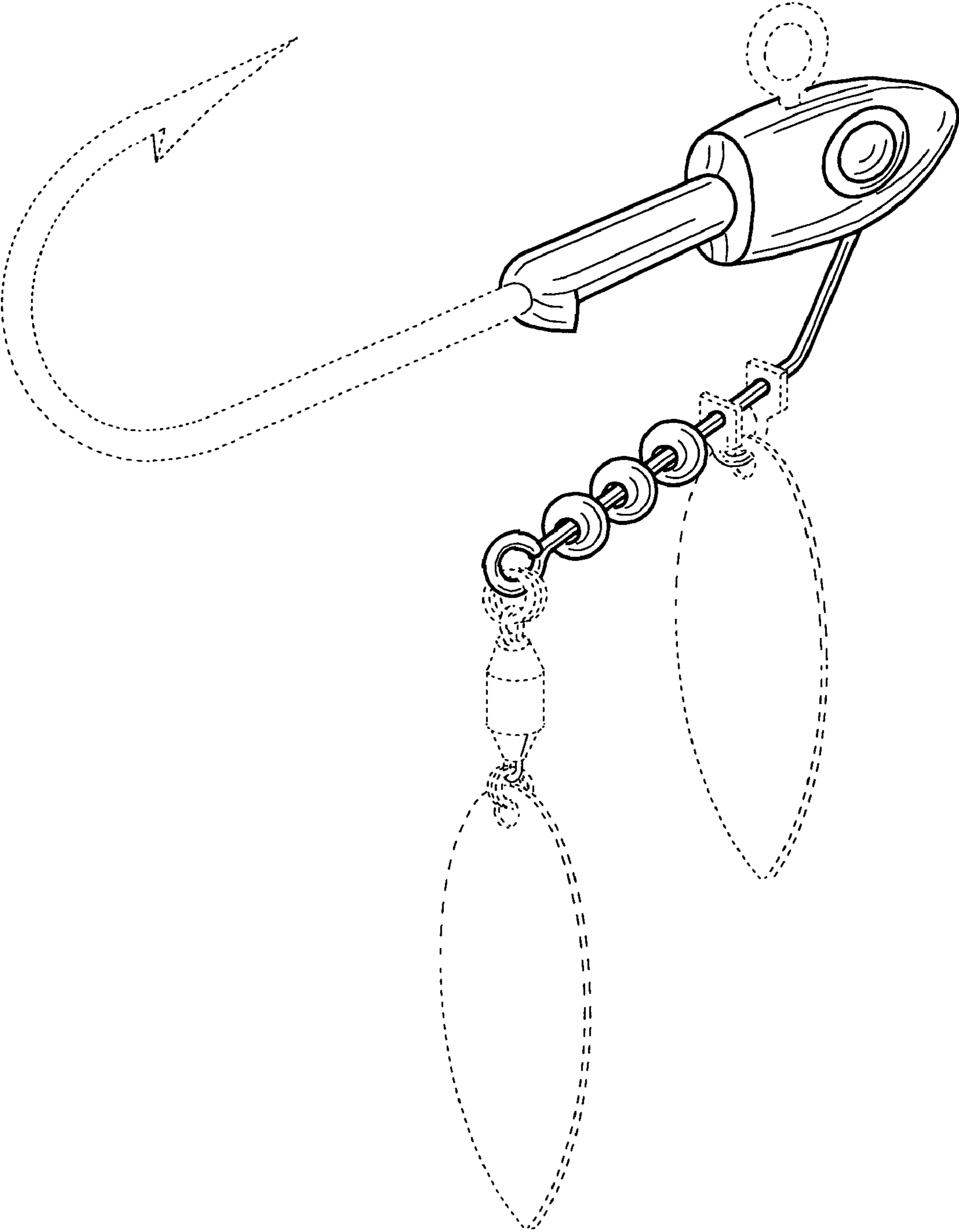


Fig. 1

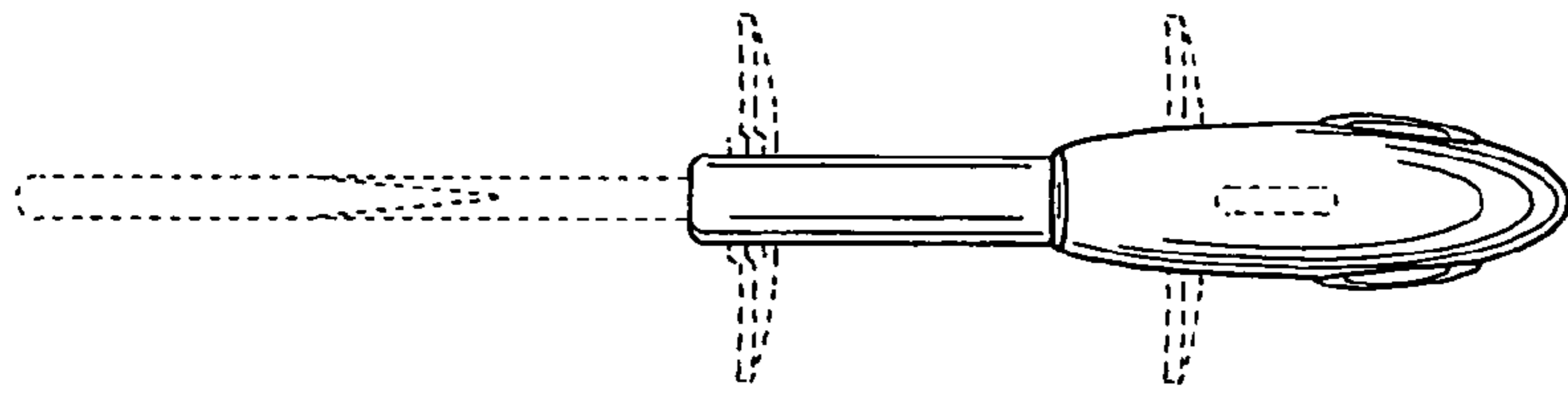


Fig. 2

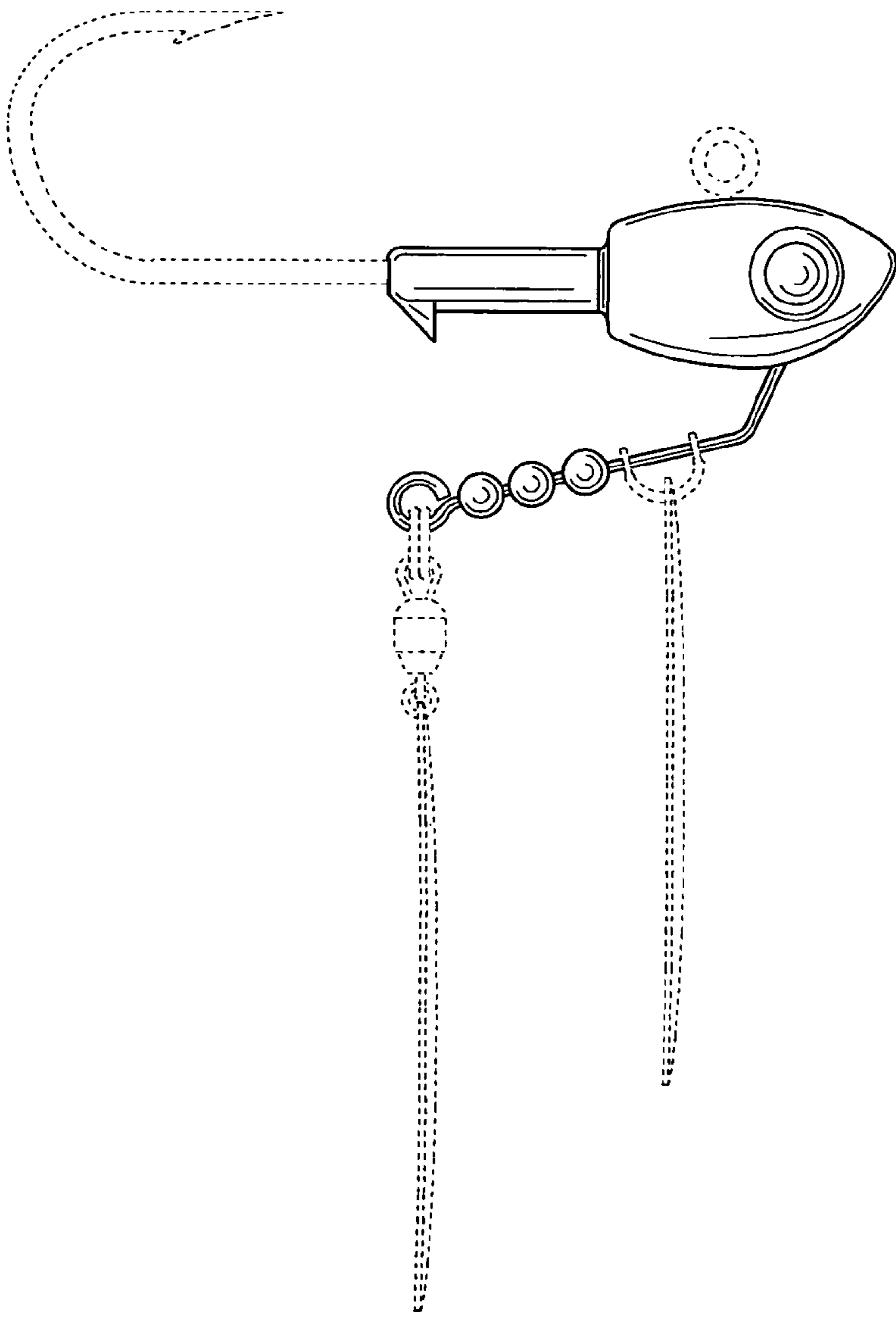


Fig. 3

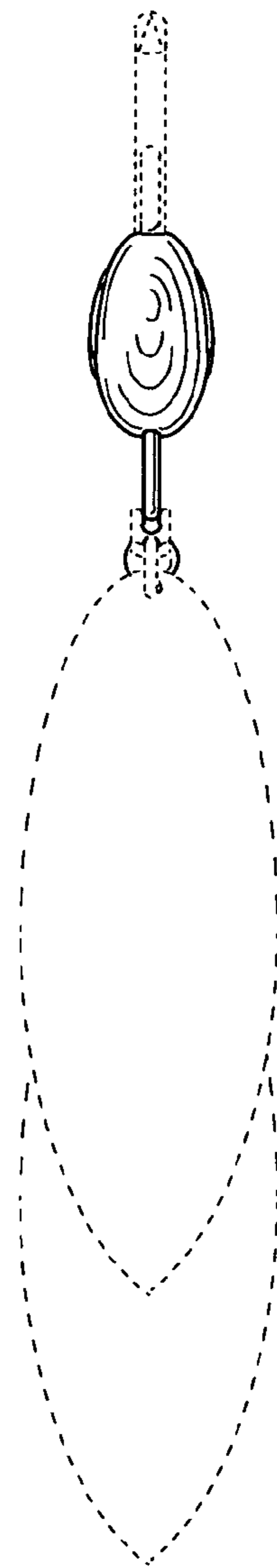


Fig. 4

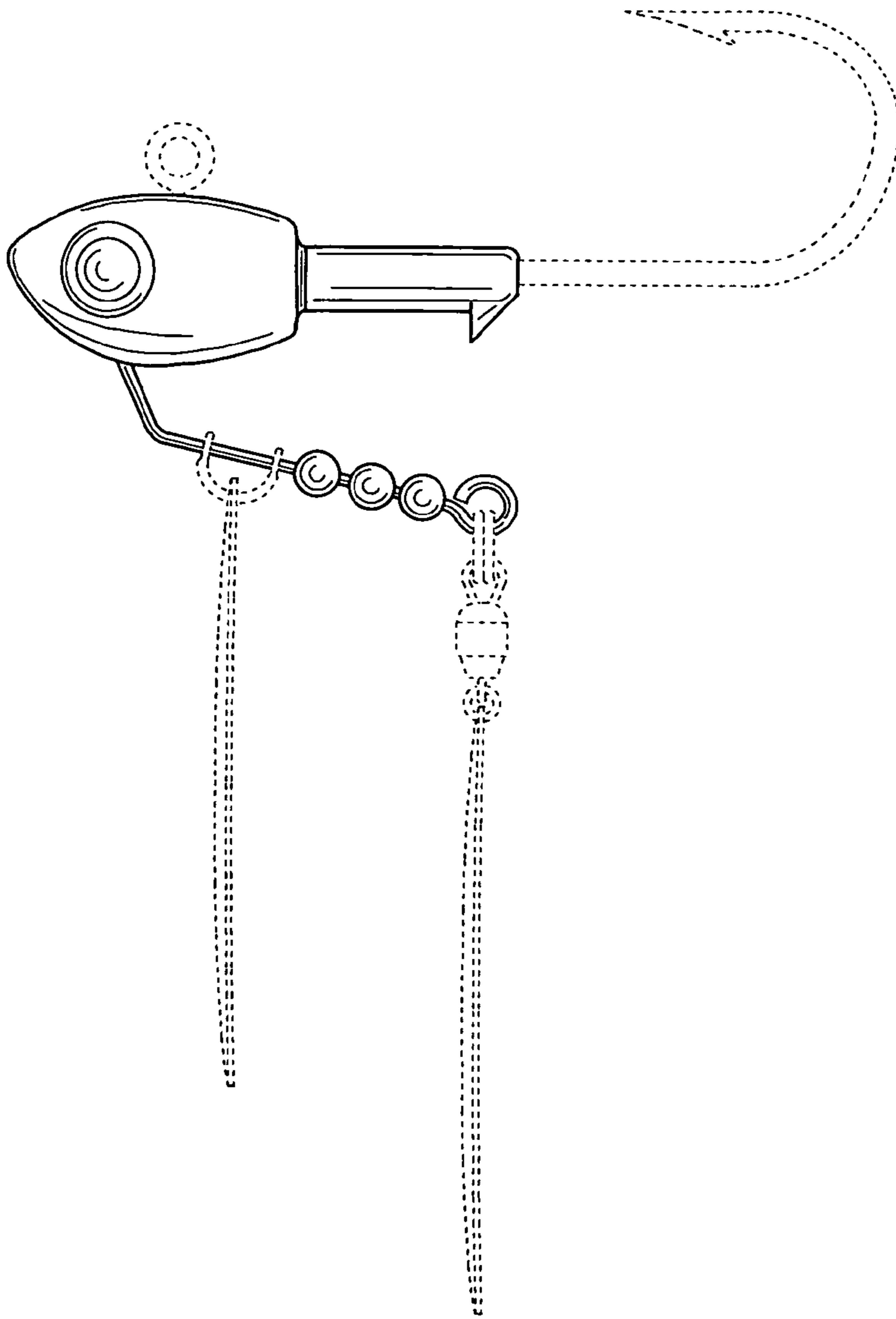


Fig. 5

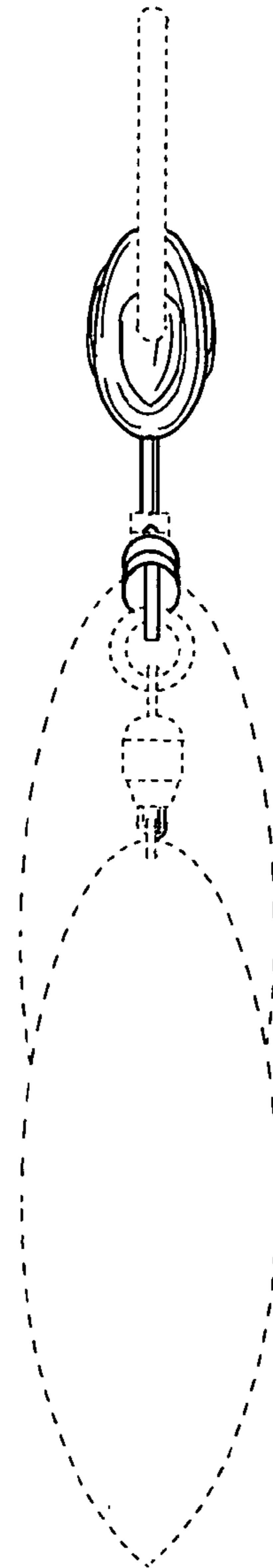


Fig. 6

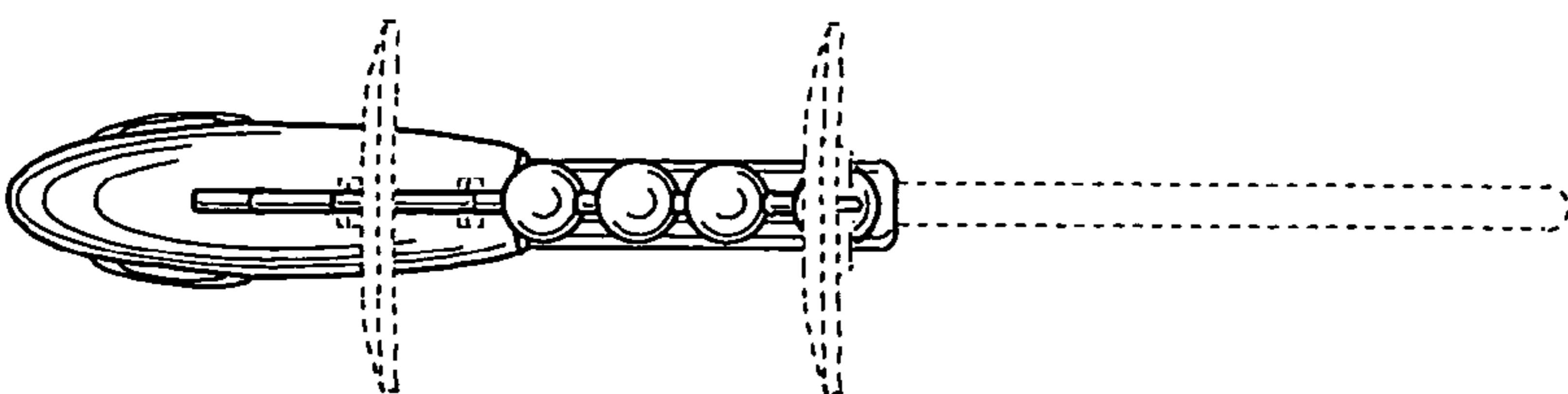


Fig. 7