



US00D579072S

(12) **United States Design Patent**
McGarry

(10) **Patent No.:** **US D579,072 S**
(45) **Date of Patent:** **** Oct. 21, 2008**

(54) **PISTOL**

(75) Inventor: **James McGarry**, Prescott Valley, AZ
(US)

(73) Assignee: **Strum, Ruger & Company, Inc.**,
Southport, CT (US)

(**) Term: **14 Years**

(21) Appl. No.: **29/289,584**

(22) Filed: **Jul. 25, 2007**

(51) **LOC (8) Cl.** **22-01**

(52) **U.S. Cl.** **D22/104**

(58) **Field of Classification Search** D22/100,
D22/104, 105, 108; D21/567, 570, 573-575;
362/110, 113; 42/1.02, 7, 50, 65, 70.11,
42/74, 75.03, 117, 22, 37, 40, 114, 84, 85,
42/71.02

See application file for complete search history.

(56) **References Cited**

U.S. PATENT DOCUMENTS

5,042,185	A *	8/1991	Justice, Sr.	42/70.11
D359,098	S *	6/1995	Stevens	D22/104
5,526,600	A *	6/1996	Chesnut et al.	42/50
D387,841	S *	12/1997	Hochstrate et al.	D22/104
5,741,996	A *	4/1998	Ruger et al.	42/16
6,370,806	B1 *	4/2002	Klebes et al.	42/84
D464,702	S *	10/2002	Mauch et al.	D22/104
D505,476	S	5/2005	McGarry	
6,928,764	B2 *	8/2005	Freed	42/71.02
D516,661	S	3/2006	McGarry	
2004/0031181	A1 *	2/2004	Freed	42/71.02
2006/0130386	A1 *	6/2006	Pikielny	42/85

OTHER PUBLICATIONS

Author Unknown, 475 Years Young, Guns & Ammo, Mar. 2002.
D.K. Pridgen, Gun Safety Roundup, Combat Handguns, Aug. 2000.
Author Unknown, title unknown, Combat Handguns, Mar. 2001, p.
91.

Frank James, New Taurus Tracker .41Mag, Combat Handguns, Feb.
2001, pp. 10-12, p. 90.

Author Unknown, Smith & Wesson 4566TSW .45 ACP, Gun Tests,
May 2001, p. 6.

Dave Anderson, Combat Shooting, American Handgunner, May/Jun.
2003, p. 34.

Mike Boyle, New Taurus PT-145 .45ACP, Combat Handguns, Feb.
2002, pp. 40-42.

Roger Combs, Guns & Gear, Handguns, Oct. 2002, p. 51.

James McGarry, U.S. Appl. No. 29/289,585, filed Jul. 25, 2007.

James McGarry, U.S. Appl. No. 29/289,583, filed Jul. 25, 2007.

* cited by examiner

Primary Examiner—Ian Simmons

Assistant Examiner—Melanie Levy

(74) *Attorney, Agent, or Firm*—Duane Morris, LLP

(57) **CLAIM**

The ornamental design for a pistol, as shown and described.

DESCRIPTION

FIG. 1 is a right side view of a pistol according to a first
preferred embodiment of the new design;

FIG. 2 is a left side view thereof;

FIG. 3 is a front view thereof;

FIG. 4 is a rear view thereof;

FIG. 5 is a top view thereof;

FIG. 6 is a bottom view thereof;

FIG. 7 is a right side view of a pistol according to a second
preferred embodiment of the new design;

FIG. 8 is a left side view thereof;

FIG. 9 is a rear view thereof; and,

FIG. 10 is a bottom view thereof.

The front and top views of the second preferred embodiment
are the same as those corresponding views in the first pre-
ferred embodiment shown in FIGS. 3 and 5 respectively. All
broken lines shown in the drawings are for illustrative pur-
poses only and form no part of the claimed design.

1 Claim, 5 Drawing Sheets

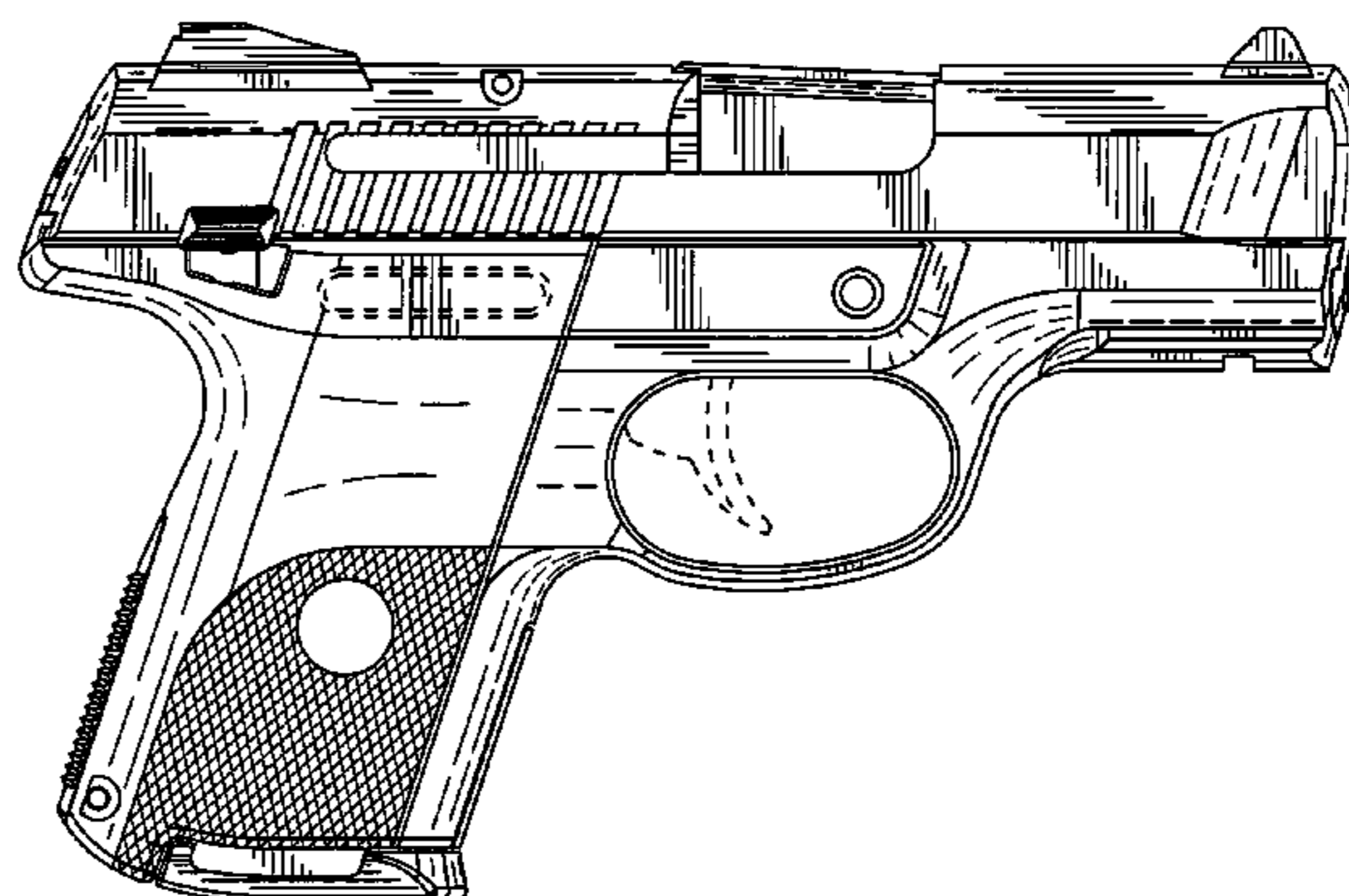
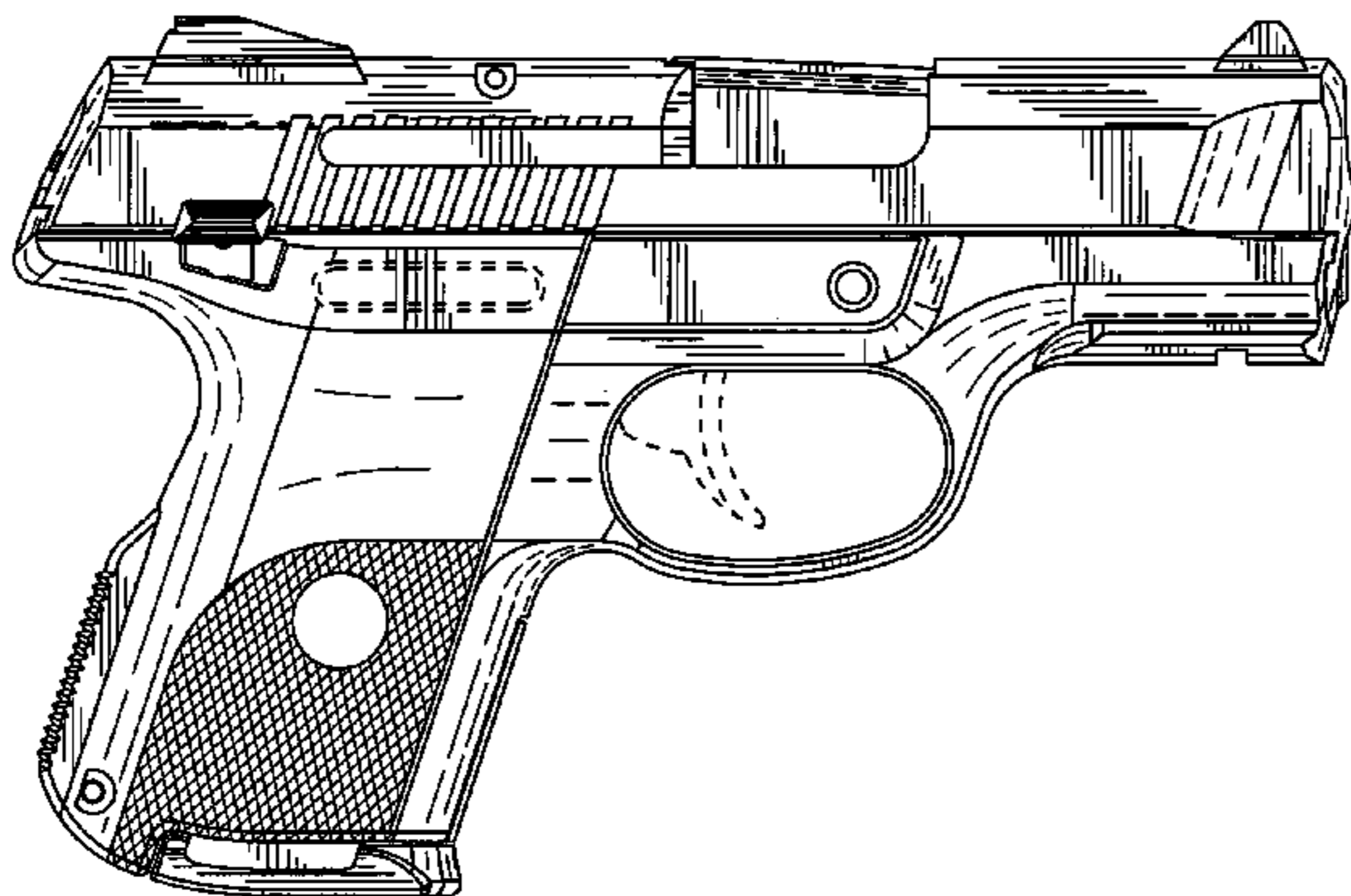


FIG. 1

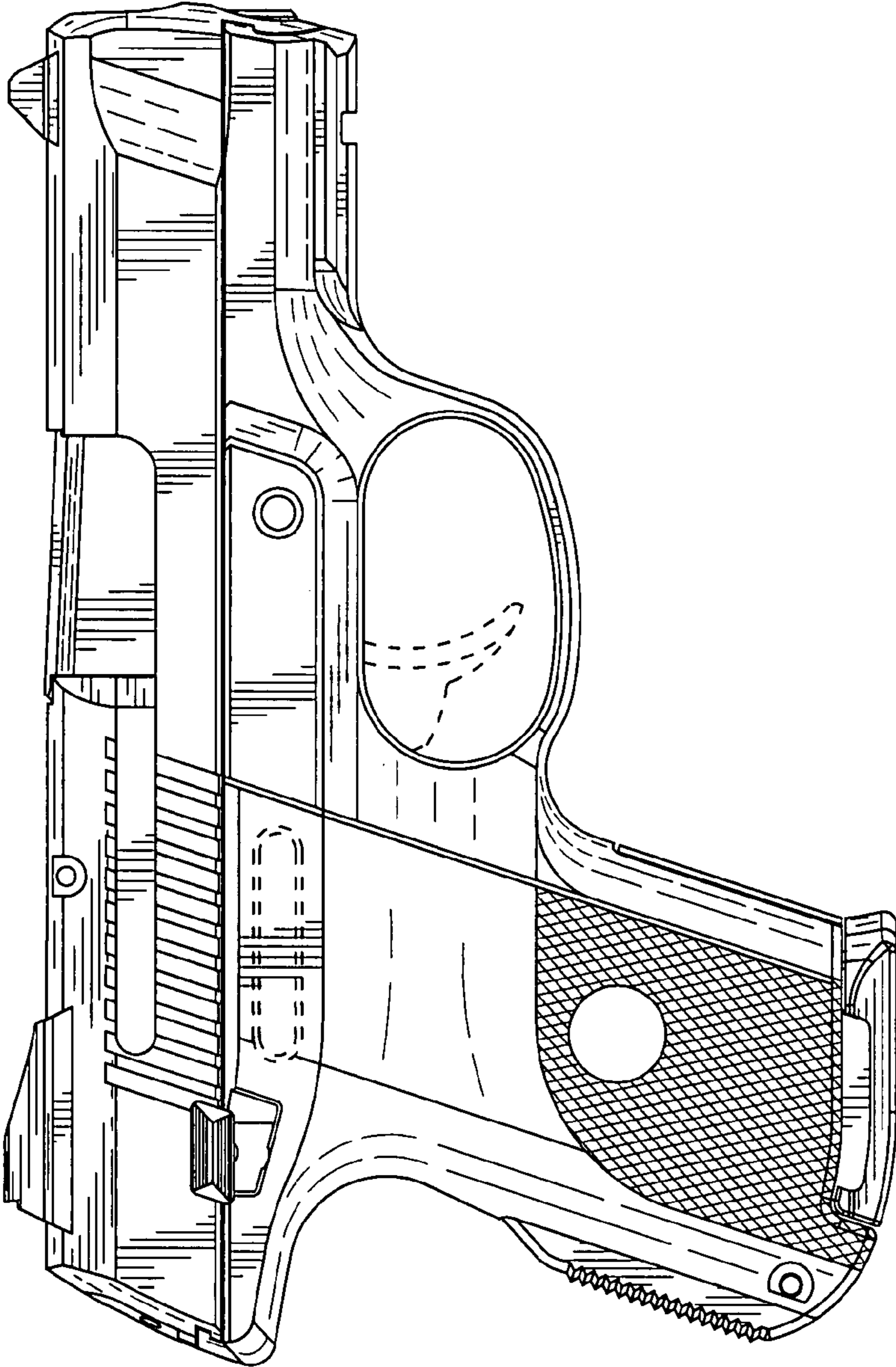
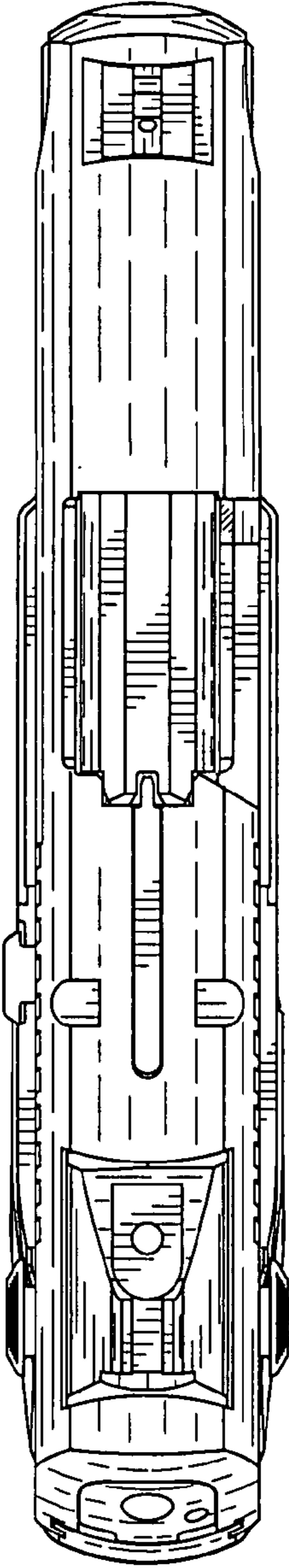


FIG. 5



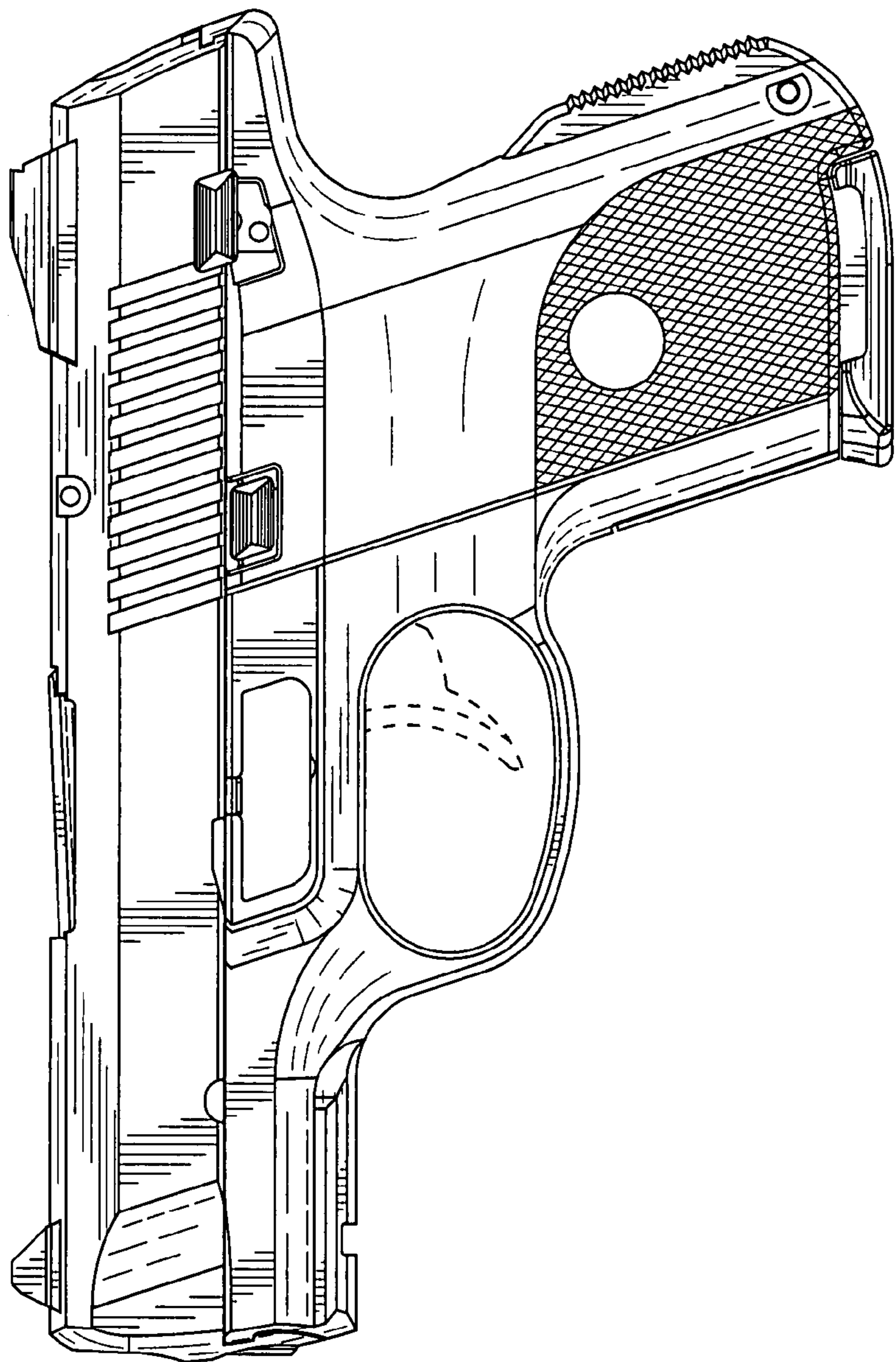


FIG. 2

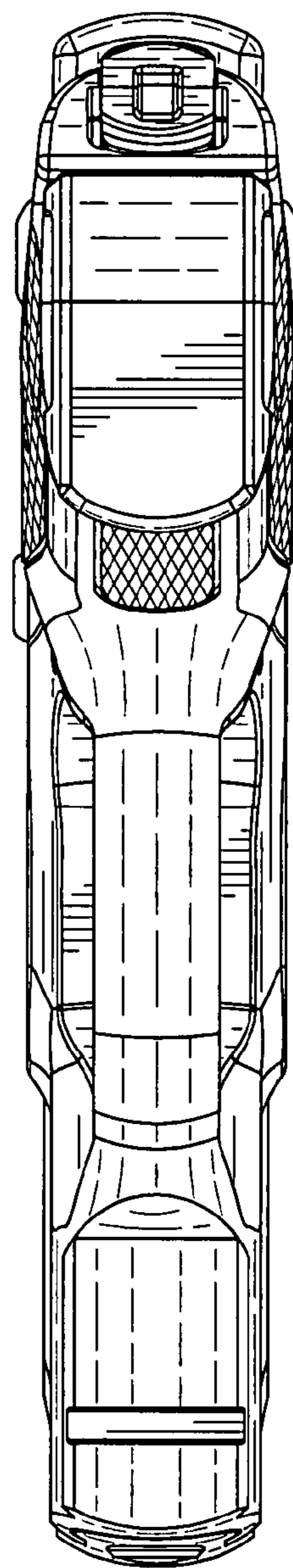


FIG. 6

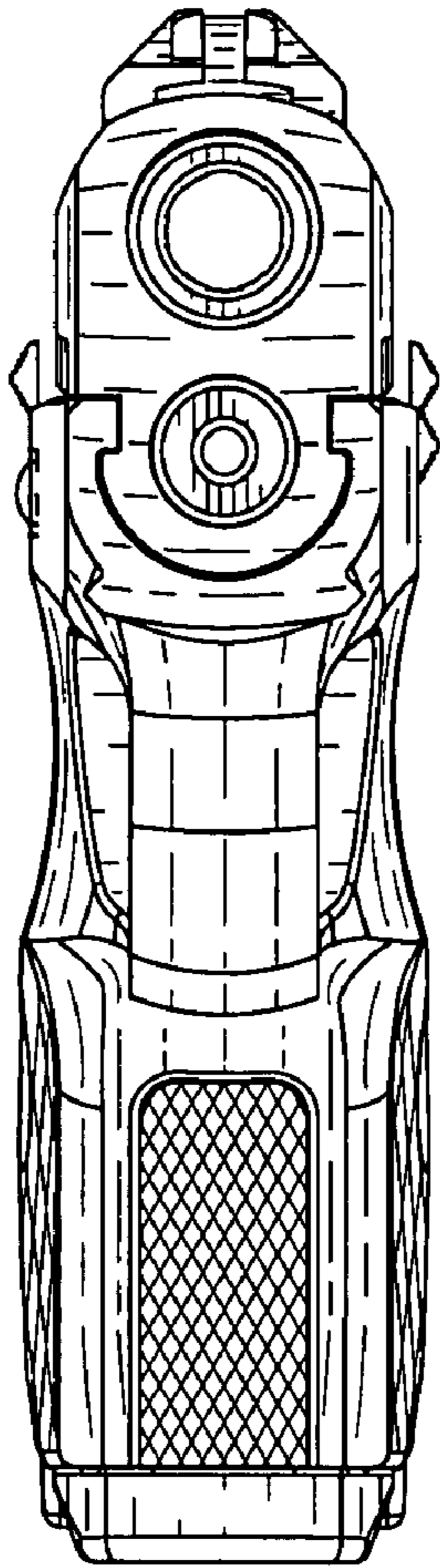


FIG. 3

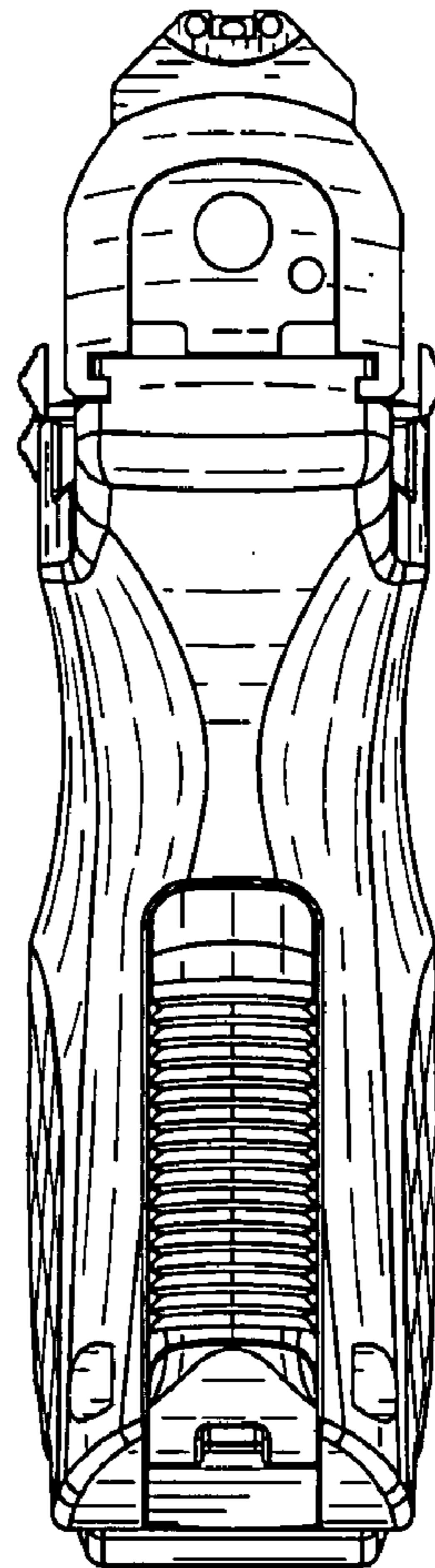


FIG. 4

FIG. 7

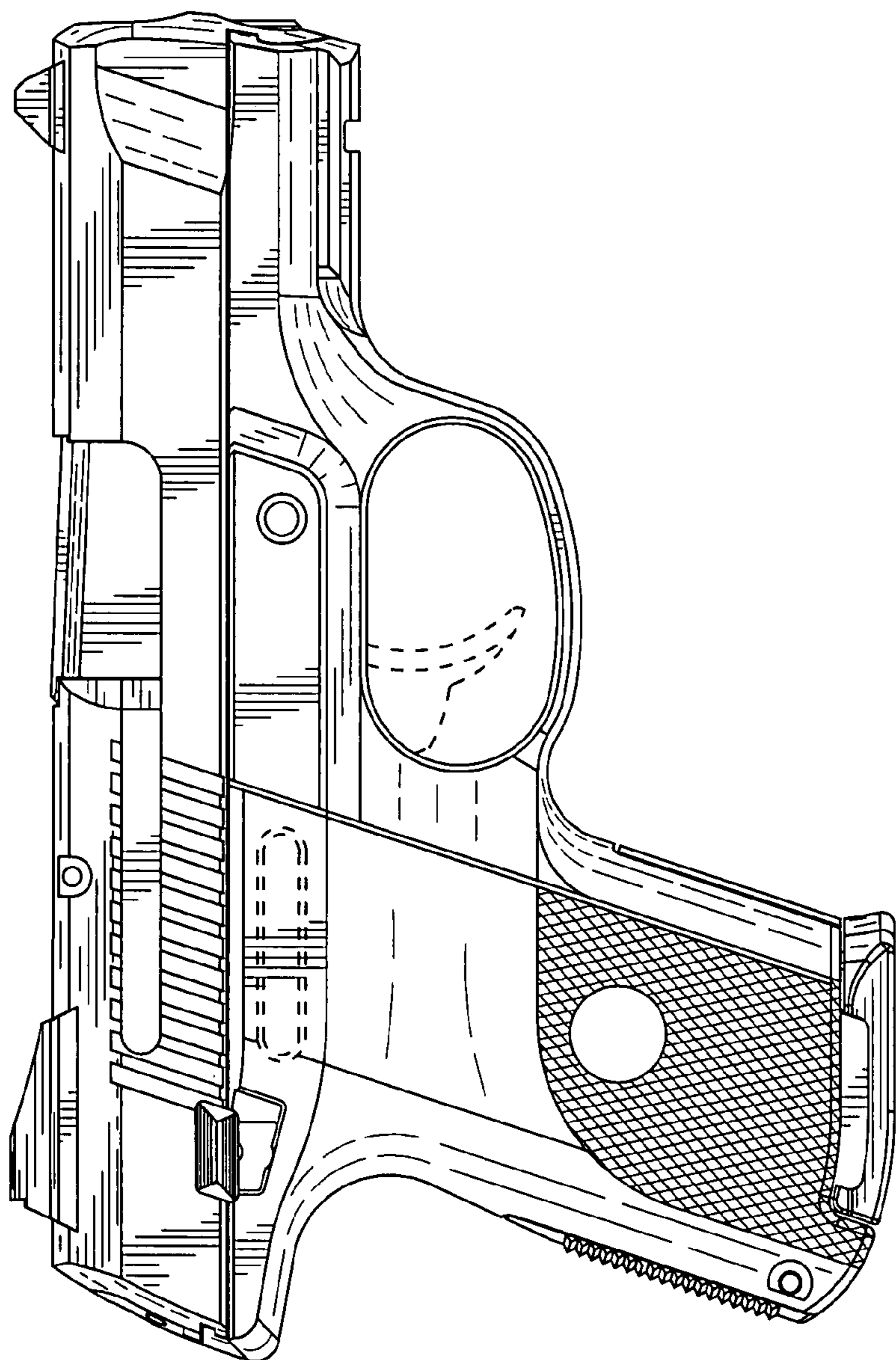
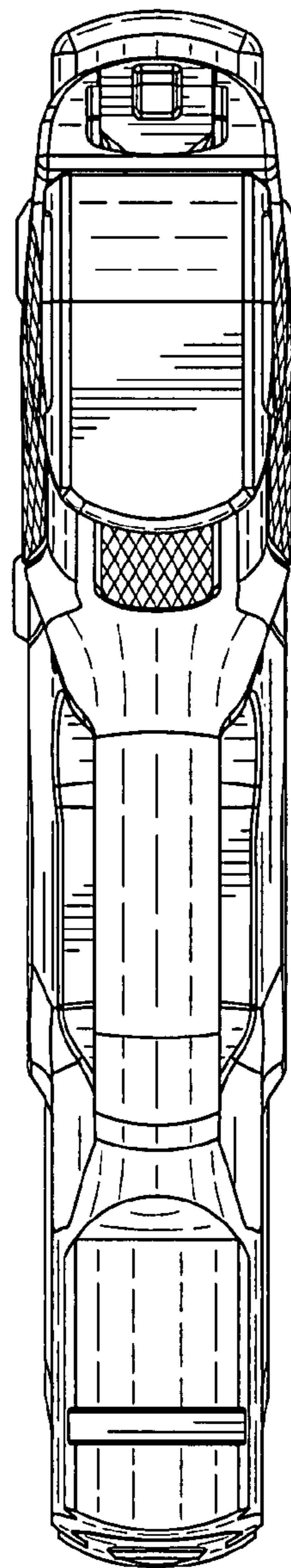


FIG. 10



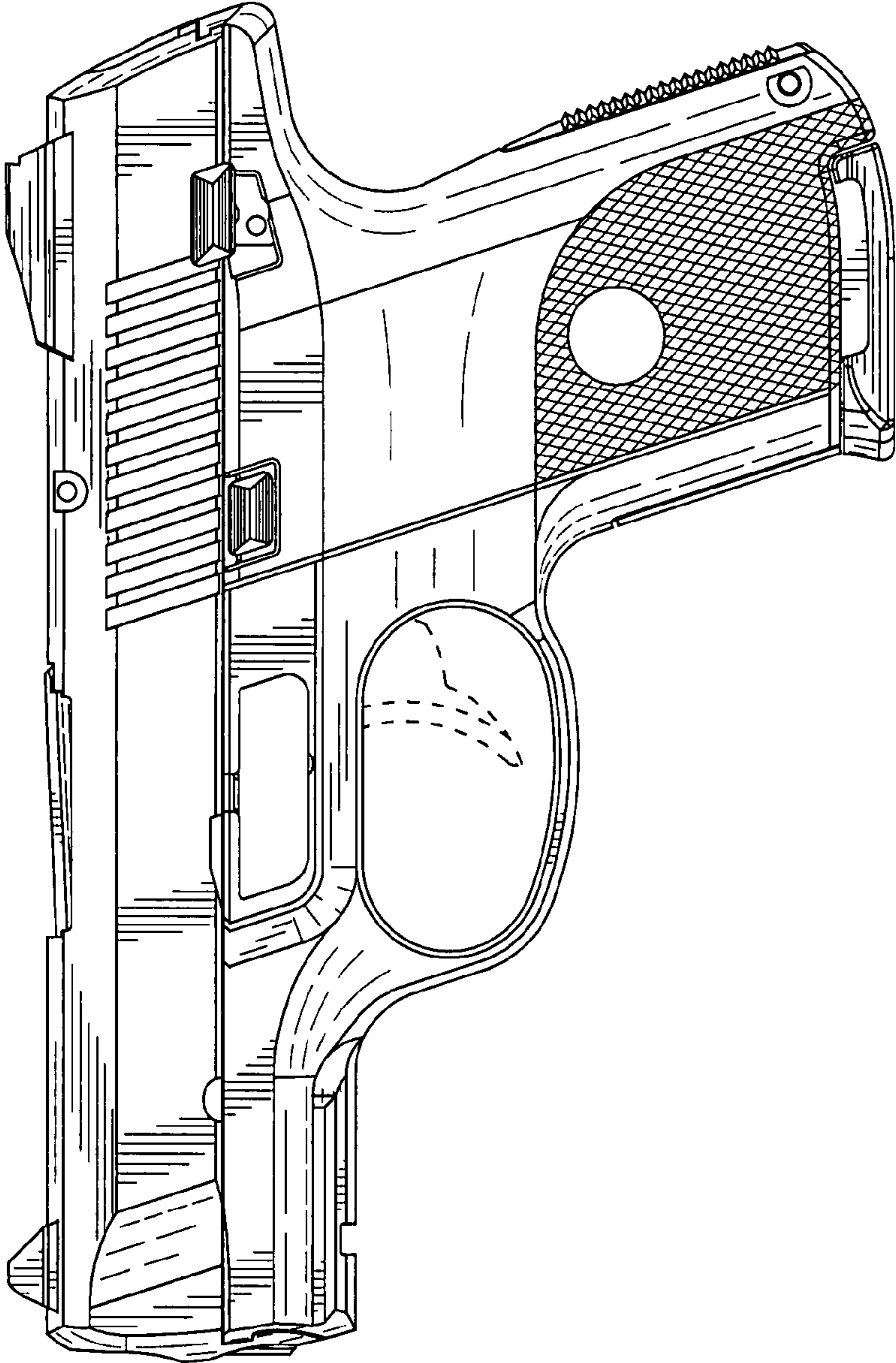


FIG. 8

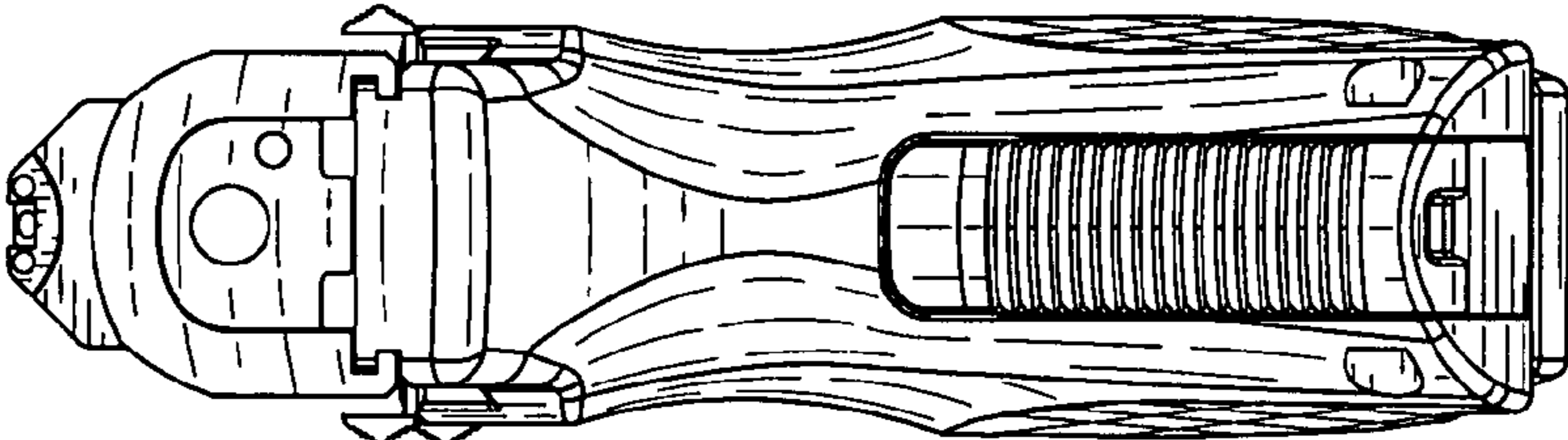


FIG. 9