



US00D579069S

(12) **United States Design Patent**
Gedeon

(10) **Patent No.:** **US D579,069 S**
(45) **Date of Patent:** **** Oct. 21, 2008**

(54) **SHAFT GRIP COMBINATION FOR A PUTTER**

(76) **Inventor:** **Robert J. Gedeon**, 2906 Eastwind Dr.,
Amelia Island, FL (US) 32034

(**) **Term:** **14 Years**

(21) **Appl. No.:** **29/271,621**

(22) **Filed:** **Jan. 24, 2007**

(51) **LOC (8) Cl.** **21-02**

(52) **U.S. Cl.** **D21/757**

(58) **Field of Classification Search** D21/736-746,
D21/756, 757; 473/316-323

See application file for complete search history.

(56) **References Cited**

U.S. PATENT DOCUMENTS

2,018,723	A *	10/1935	Hutchison	473/315
5,545,094	A *	8/1996	Hsu	473/317
5,653,644	A *	8/1997	Jaekel	473/303
5,749,798	A *	5/1998	Kuebler et al.	473/549
D404,449	S *	1/1999	Burger	D21/727
D412,544	S *	8/1999	Burger	D21/727
D421,782	S *	3/2000	Ryu	D21/757
D430,249	S *	8/2000	Burger	D21/757
D431,273	S *	9/2000	Burger	D21/757
D449,867	S *	10/2001	Ryu	D21/757
6,752,730	B1 *	6/2004	Brine et al.	473/513

6,863,618	B2 *	3/2005	Perry	473/242
D504,166	S *	4/2005	Bellefleur et al.	D21/757
D505,986	S *	6/2005	Bamber	D21/757
D534,227	S *	12/2006	Lee	D21/724
D540,900	S *	4/2007	Gedeon	D21/757

* cited by examiner

Primary Examiner—Mitchell I Siegel
(74) *Attorney, Agent, or Firm*—Arthur G. Yeager

(57) **CLAIM**

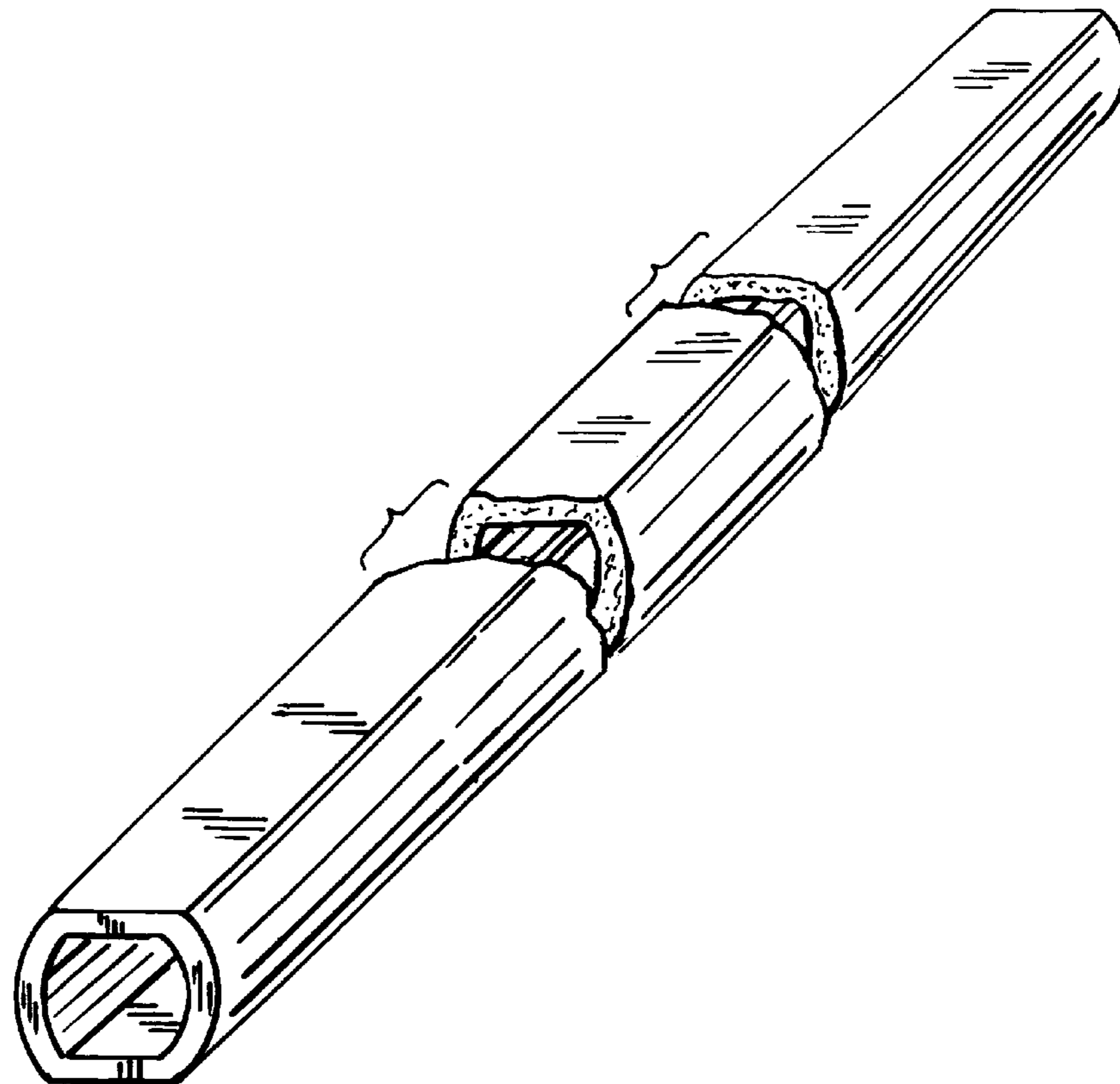
I claim the ornamental design for a shaft grip combination for a putter, as shown and described.

DESCRIPTION

FIG. 1 is a perspective view of a shaft grip combination for a putter, the broken away section shown for ease of illustration; FIG. 2 is a reduced front elevational view of FIG. 1; FIG. 3 is another reduced front elevational view of FIG. 1; FIG. 4 is a side elevational view of FIG. 1; FIG. 5 is a top plan view of FIG. 1; and, FIG. 6 is a bottom plan view of FIG. 1.

The broken line showing is included for the purpose of illustration and forms no part of the claimed design.

1 Claim, 2 Drawing Sheets



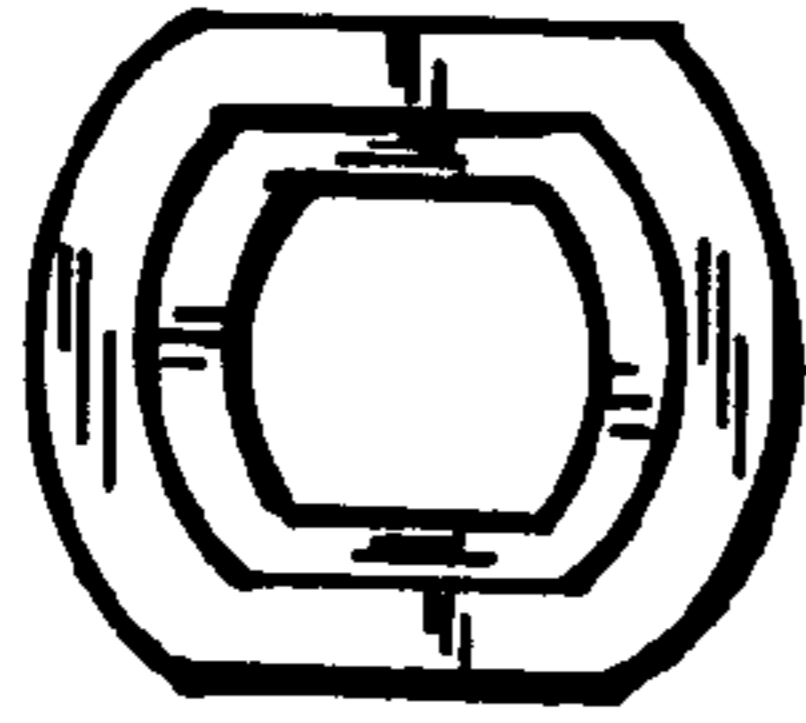


FIG. 5

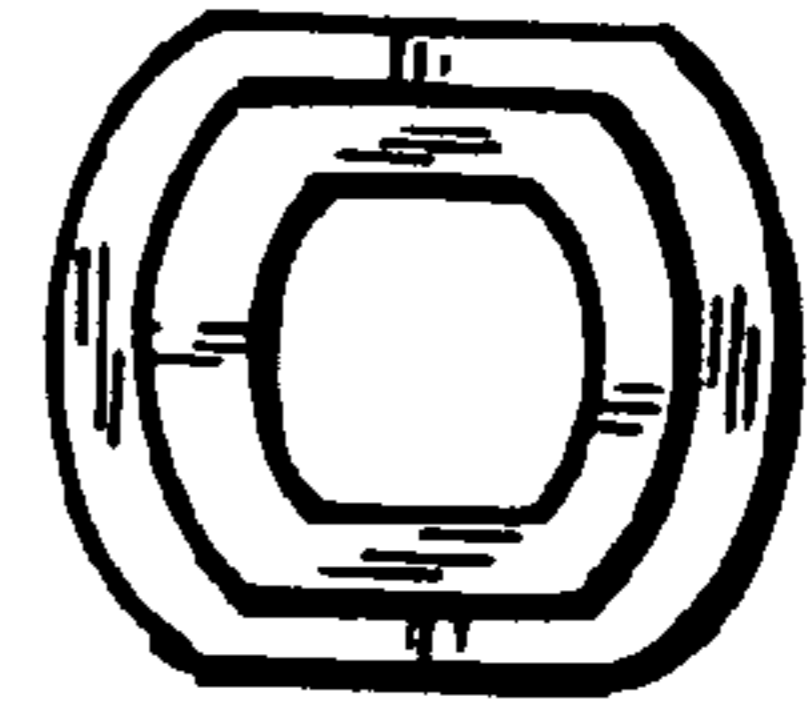


FIG. 6

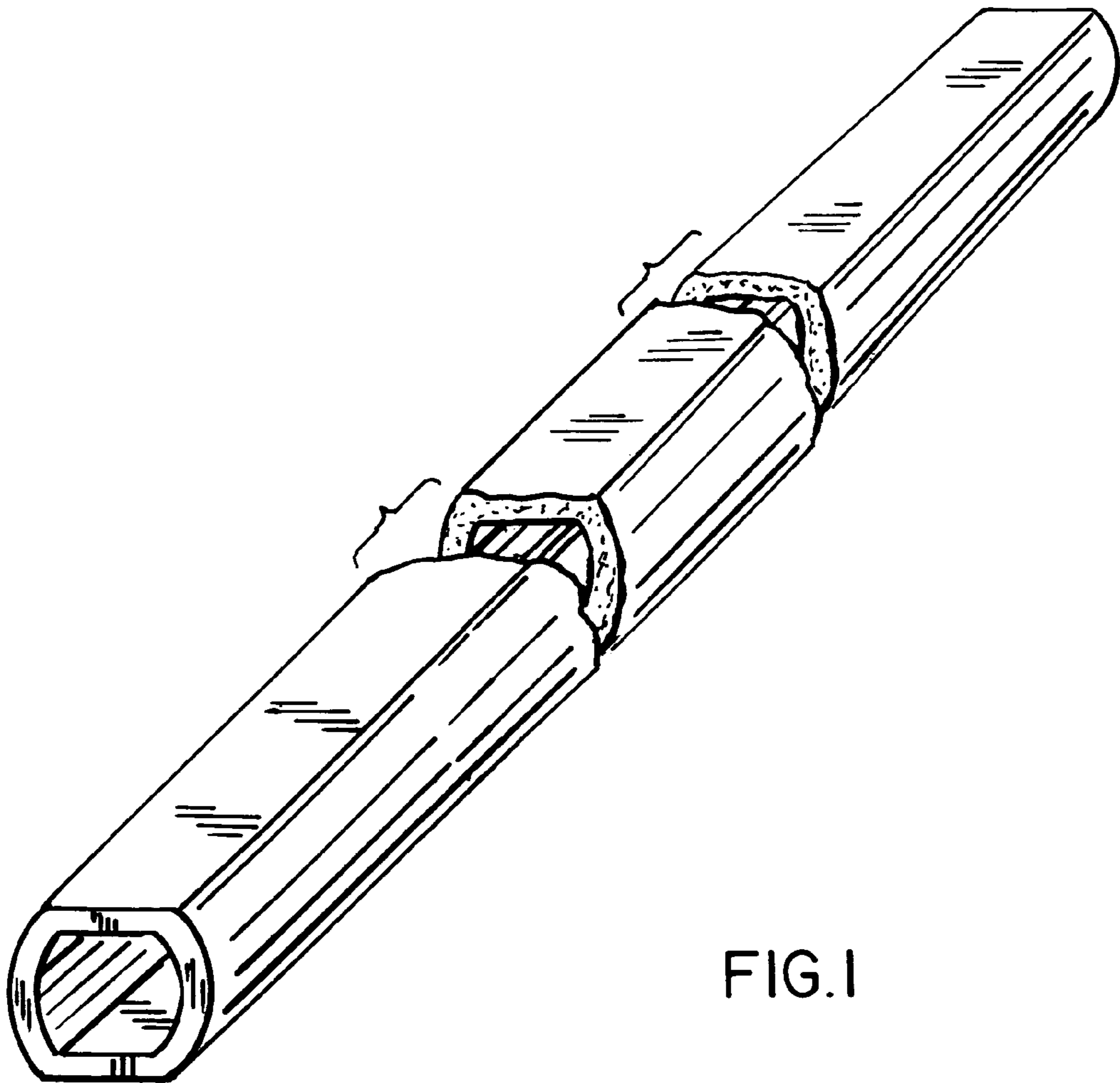


FIG. 1

