



US00D579062S

(12) **United States Design Patent**
Glickman et al.

(10) **Patent No.:** **US D579,062 S**
(45) **Date of Patent:** **** Oct. 21, 2008**

(54) **CONSTRUCTION TOY COMPONENT**

(75) Inventors: **Joel Glickman**, Jupiter, FL (US);
Matthias F. W. Doepner, Harleysville,
PA (US)

(73) Assignee: **K'Nex Limited Partnership Group**,
Hatfield, PA (US)

(**) Term: **14 Years**

(21) Appl. No.: **29/302,826**

(22) Filed: **Jan. 25, 2008**

Related U.S. Application Data

(62) Division of application No. 29/281,970, filed on Jul. 9,
2007, now Pat. No. Des. 565,671.

(30) **Foreign Application Priority Data**

Apr. 18, 2007 (EM) 000709589

(51) **LOC (8) Cl.** **21-01**

(52) **U.S. Cl.** **D21/487**

(58) **Field of Classification Search** D21/484-487,
D21/489-492, 494, 497, 500-504; D25/113-118;
446/69, 85, 92, 102-128; 434/259, 403;
52/503; 273/153, 156

See application file for complete search history.

(56) **References Cited**

U.S. PATENT DOCUMENTS

D208,789 S * 10/1967 Kuhn D21/503

5,094,562 A * 3/1992 Anderson 403/170
5,350,331 A * 9/1994 Glickman 446/126
D437,622 S * 2/2001 Chang D21/501
6,582,271 B1 * 6/2003 Wallis 446/85
D557,352 S * 12/2007 Parein D21/484

* cited by examiner

Primary Examiner—Holly H. Baynham

Assistant Examiner—Cynthia M Chin

(74) *Attorney, Agent, or Firm*—Schweitzer Cornman Gross &
Bondell LLP

(57) **CLAIM**

The ornamental design for a construction toy component, as
shown and described.

DESCRIPTION

FIG. 1 is a perspective view of a construction toy component;
FIG. 2 is a first side elevation view of the construction toy
component of FIG. 1;

FIG. 3 is a second side elevation view of the construction toy
component of FIG. 1;

FIG. 4 is a top plan view of the construction toy component of
FIG. 1;

FIG. 5 is a bottom plan view of the construction toy compo-
nent of FIG. 1; and,

FIG. 6 is an end elevation view of the construction toy com-
ponent of FIG. 1, the other end being a mirror image.

1 Claim, 2 Drawing Sheets

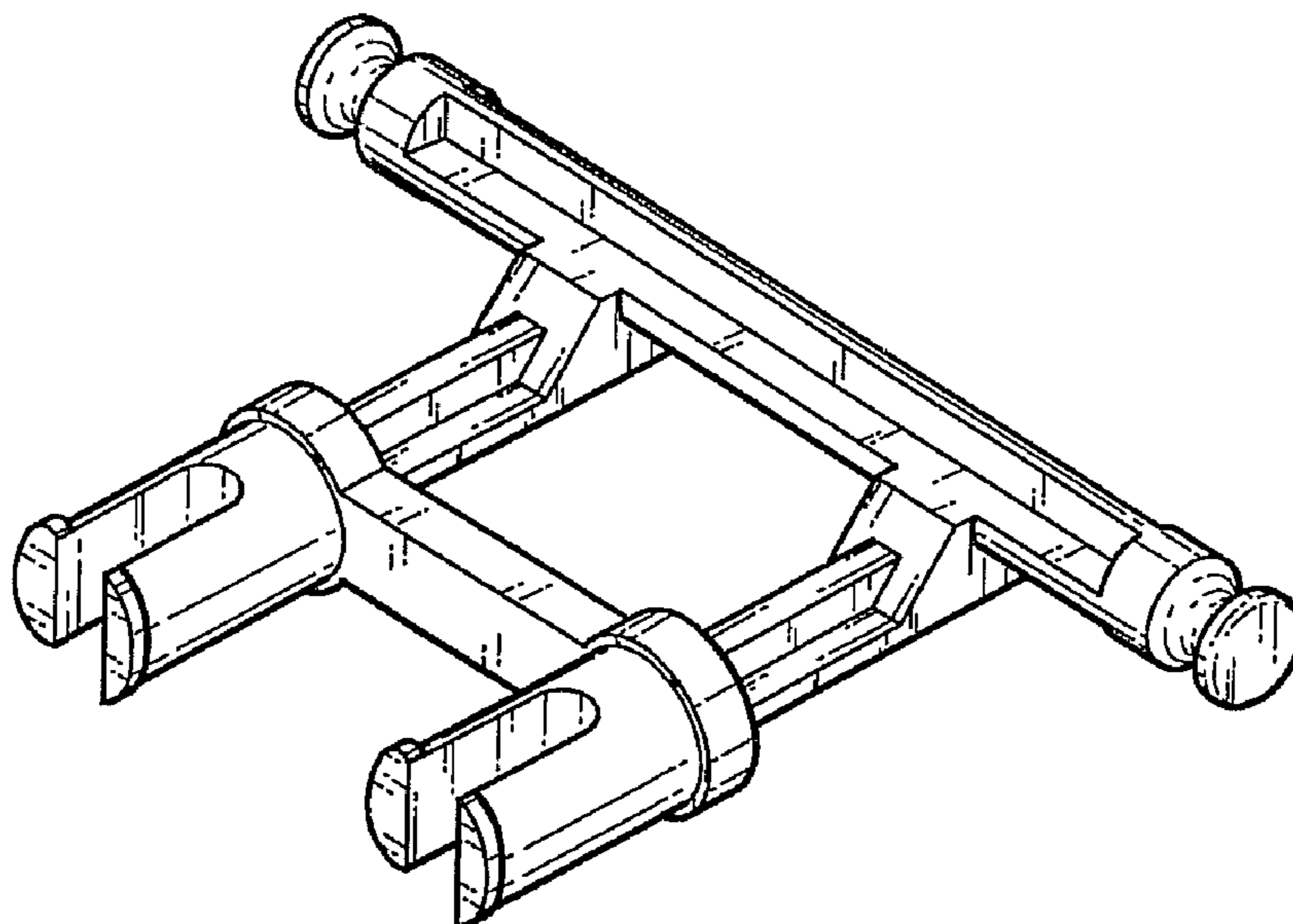


FIG. 1

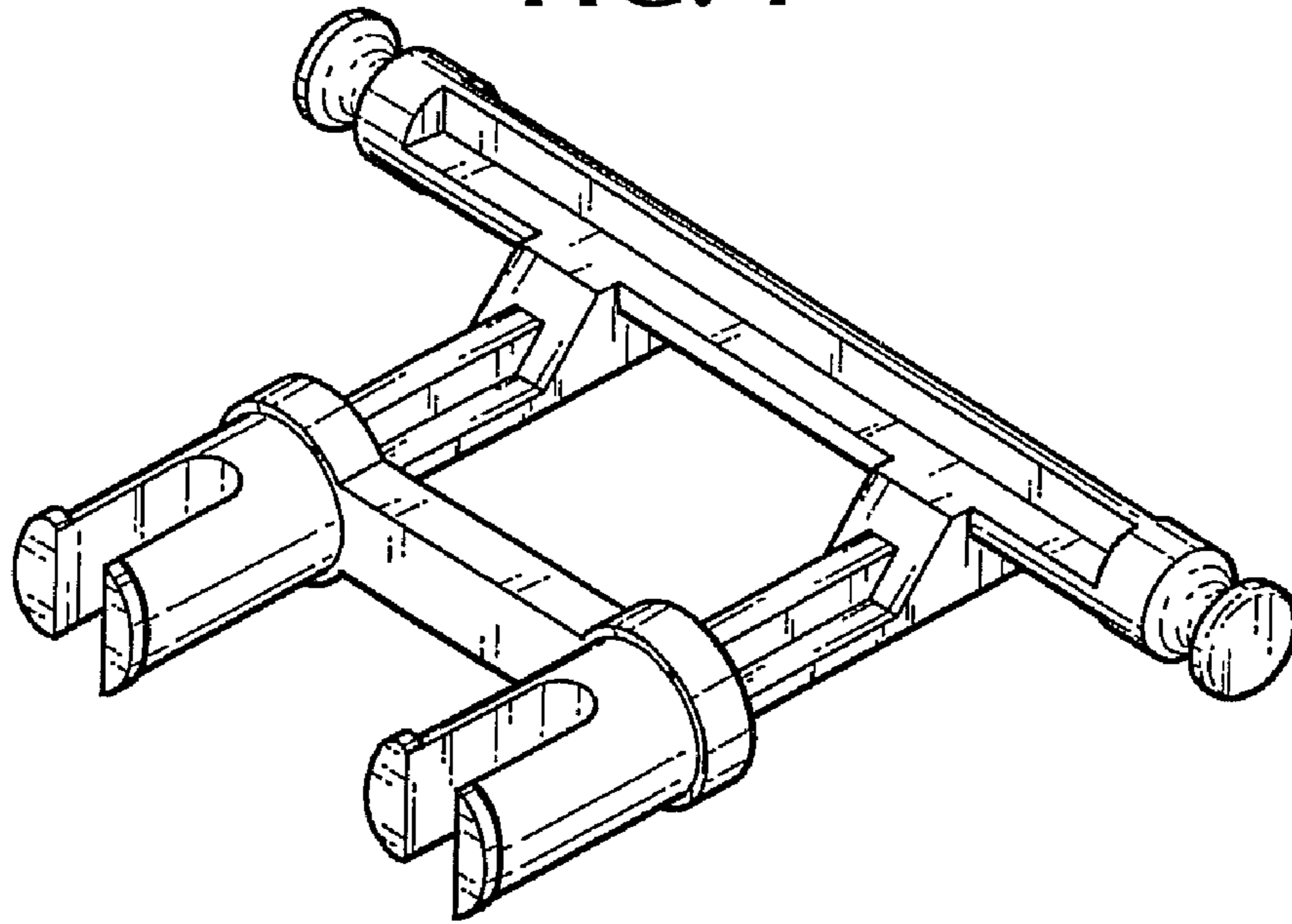


FIG. 2

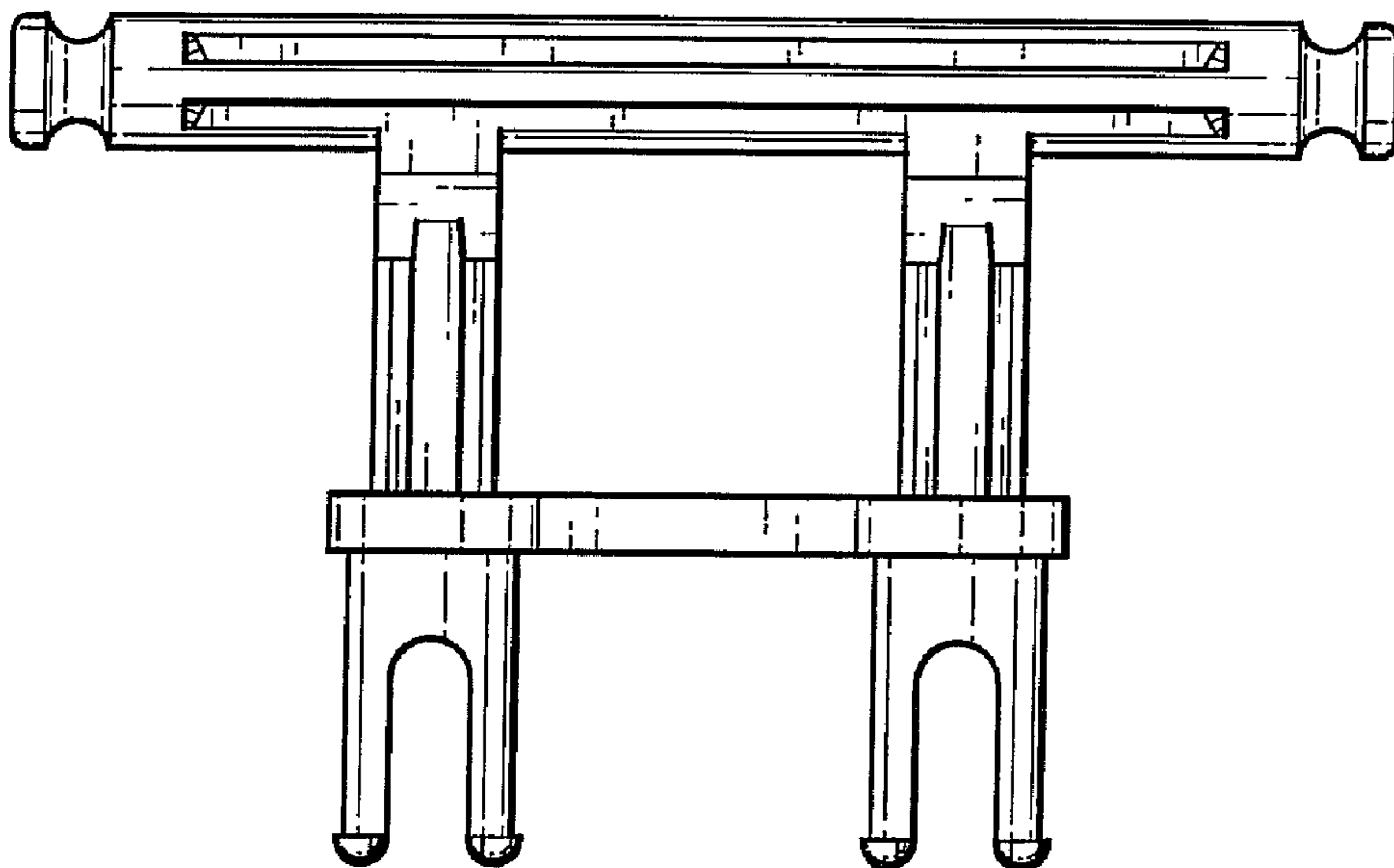


FIG. 3

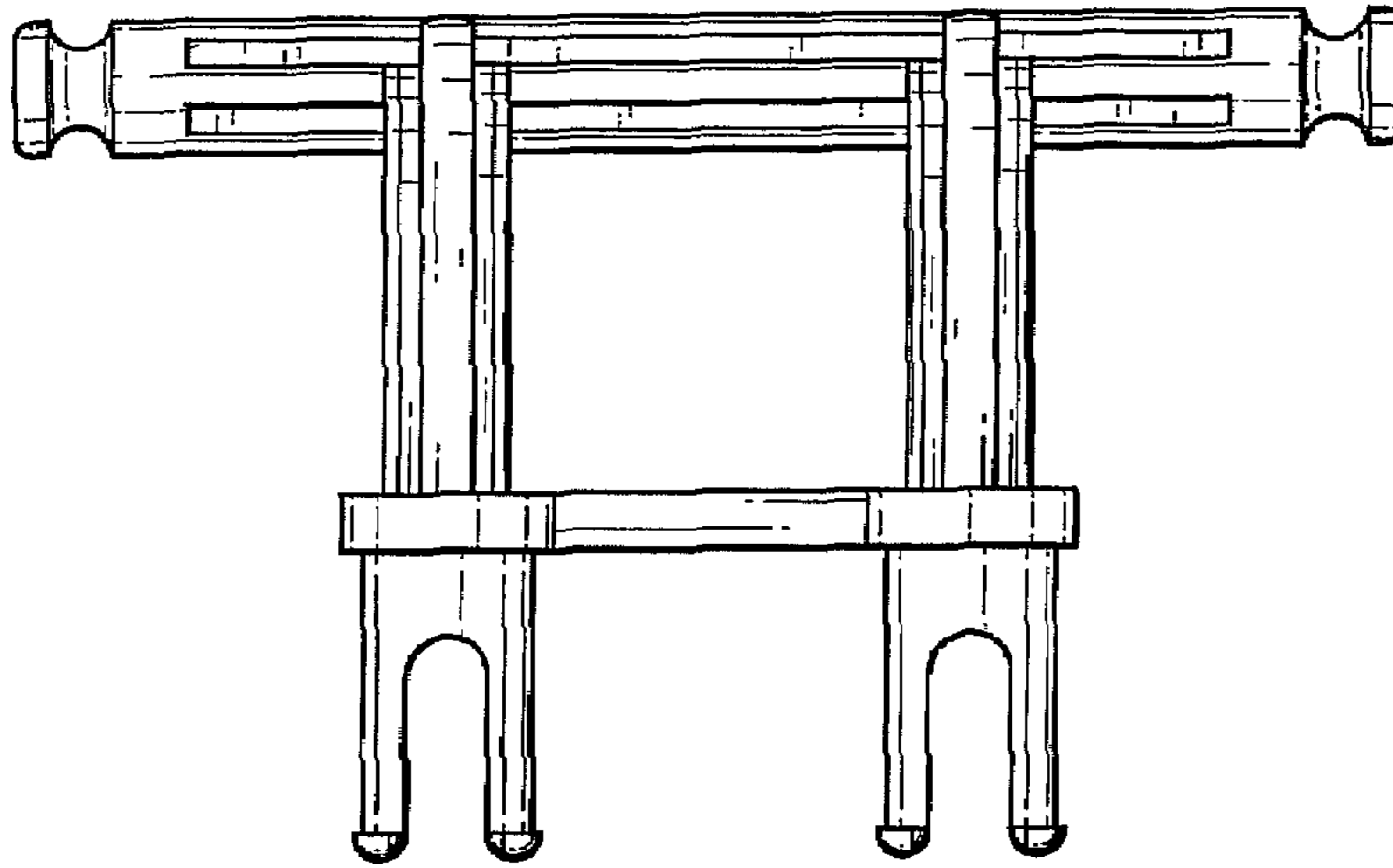


FIG. 4

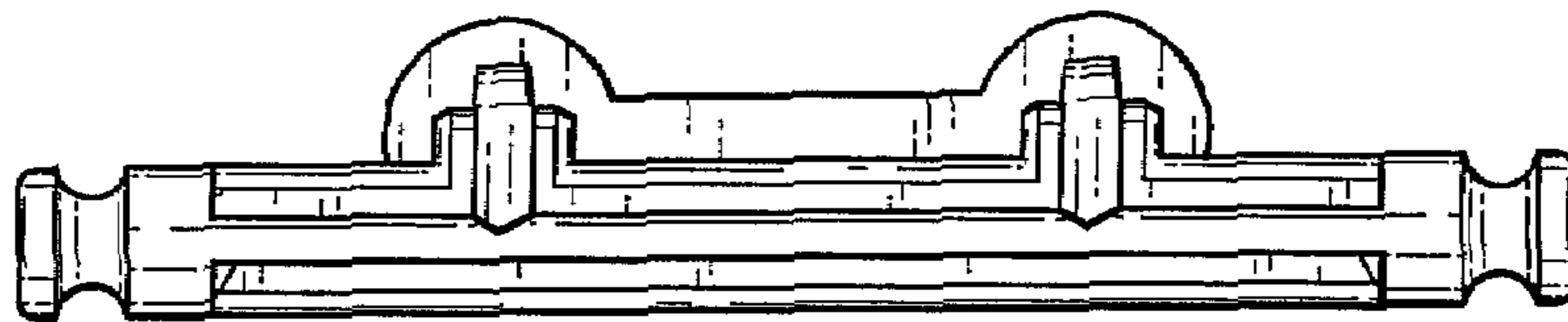


FIG. 5

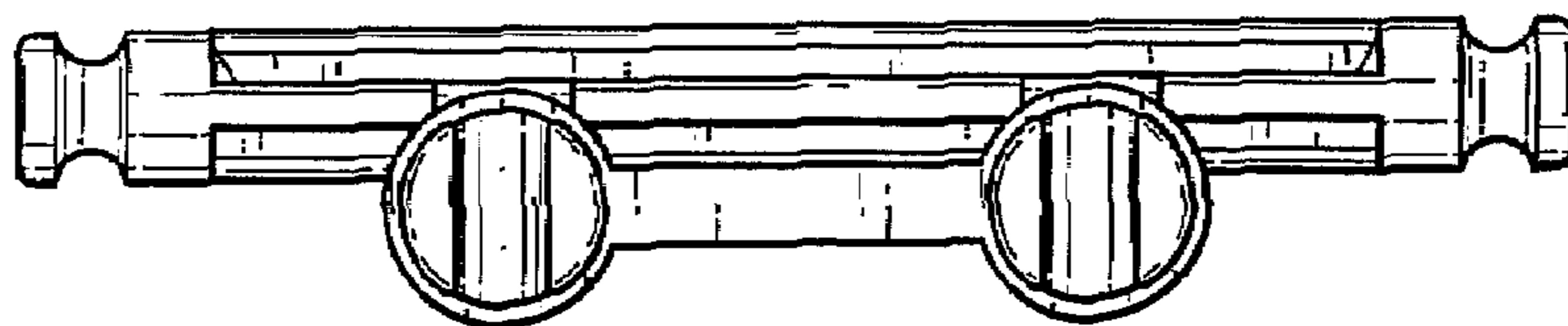


FIG. 6

