



US00D579061S

(12) **United States Design Patent**
Brockmeyer

(10) **Patent No.:** **US D579,061 S**

(45) **Date of Patent:** **** Oct. 21, 2008**

(54) **PULL CART WAGON**

D275,691 S * 9/1984 Appel et al. D21/425

(76) **Inventor:** **Eric Lee Brockmeyer**, 1455 Knoll
Ridge Dr., Viera, FL (US) 32940

* cited by examiner

(**) **Term:** **14 Years**

Primary Examiner—Holly H. Baynham

Assistant Examiner—Cynthia M Chin

(21) **Appl. No.:** **29/302,619**

(74) *Attorney, Agent, or Firm*—Jason H. Foster; Kremblas,
Foster, Phillips & Pollick

(22) **Filed:** **Jan. 21, 2008**

(57) **CLAIM**

(51) **LOC (8) Cl.** **21-01**

The ornamental design for a pull cart wagon, as shown and
described.

(52) **U.S. Cl.** **D21/425**

(58) **Field of Classification Search** D21/419,
D21/424–426, 534–536; D12/17, 19, 20,
D12/129, 102, 105; 280/87.01, 87.021, 87.043,
280/47.17, 47.25, 47.34, 47.38, 47.4, 204,
280/651; 446/465

DESCRIPTION

See application file for complete search history.

FIG. 1 is a front perspective view of a pull cart wagon showing
my new design.

FIG. 2 is a top view thereof.

FIG. 3 is a right side view thereof. A left side view thereof is
not shown but is a mirror image of the right side view.

(56) **References Cited**

U.S. PATENT DOCUMENTS

- D93,674 S * 10/1934 Rideout D21/425
- D109,315 S * 4/1938 Eck D21/425
- D138,193 S * 7/1944 Duffy D21/425
- D163,555 S * 6/1951 Bakerman D21/425

FIG. 4 is a bottom view thereof.

FIG. 5 is a front view thereof; and,

FIG. 6 is a rear view thereof.

1 Claim, 6 Drawing Sheets

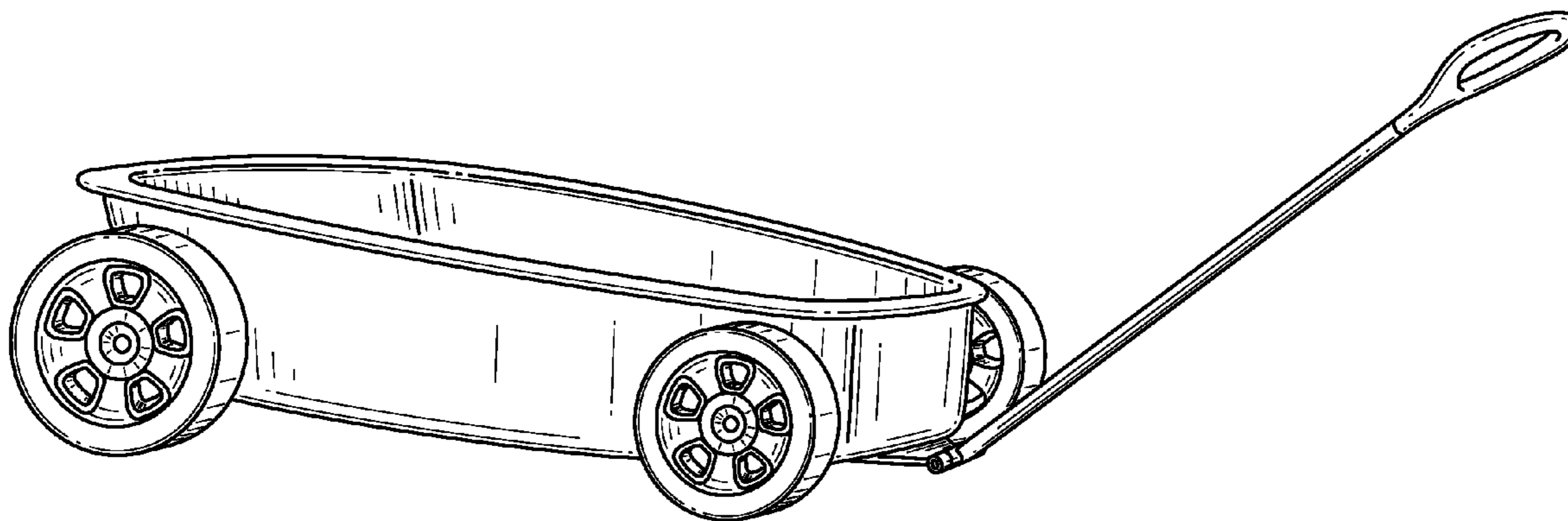


FIG. 1

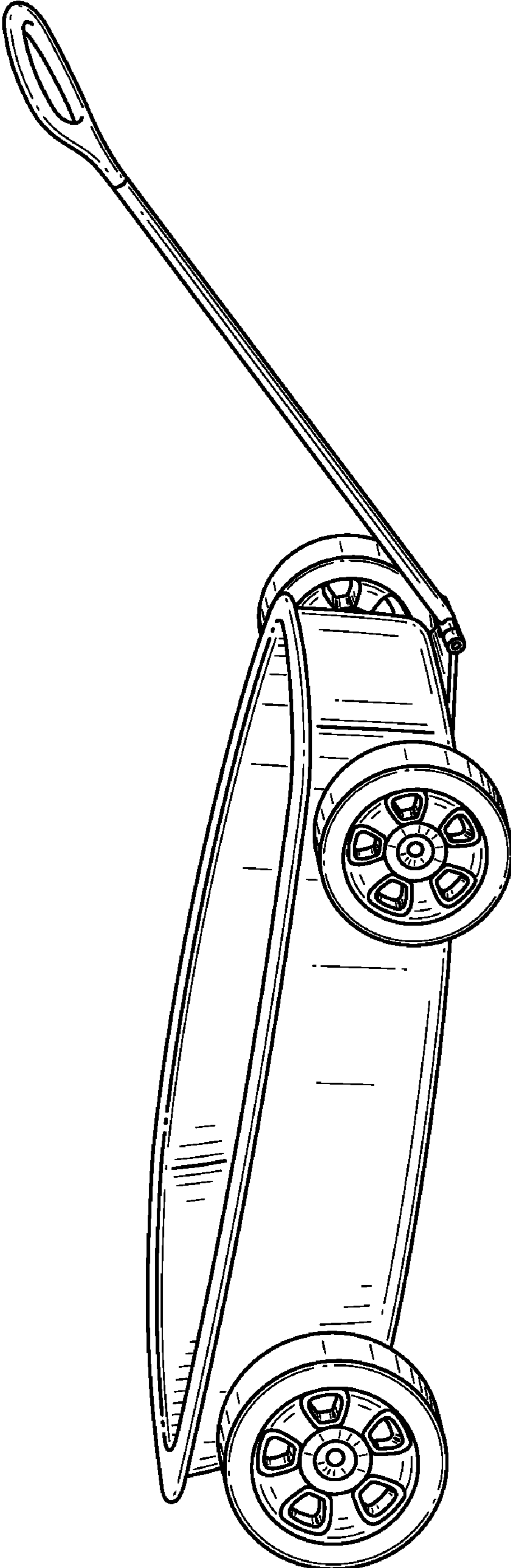


FIG. 2

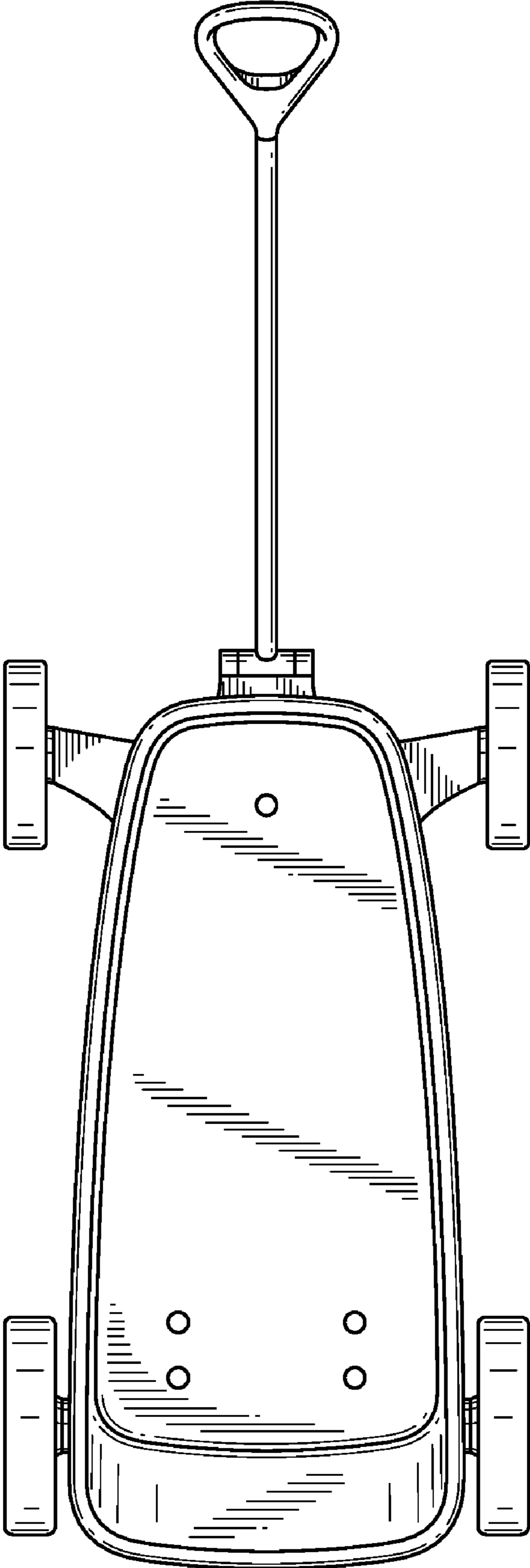


FIG. 3

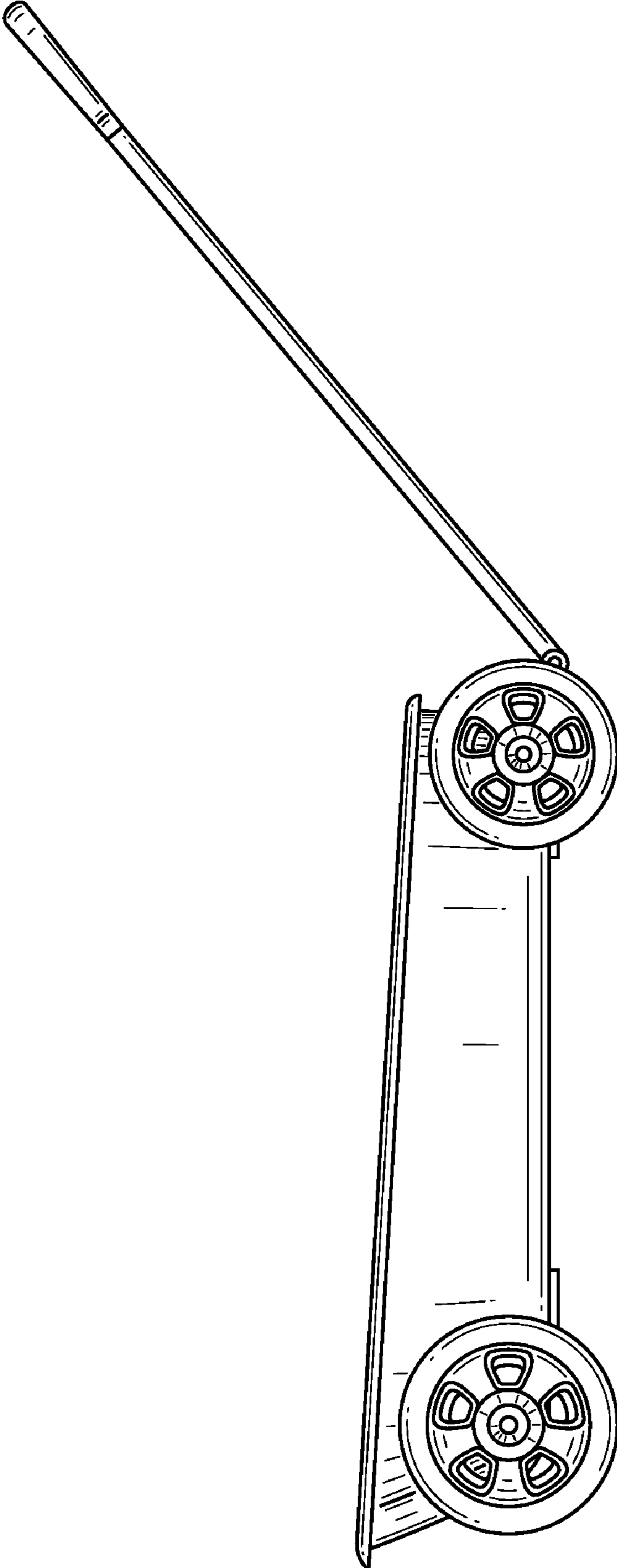


FIG. 4

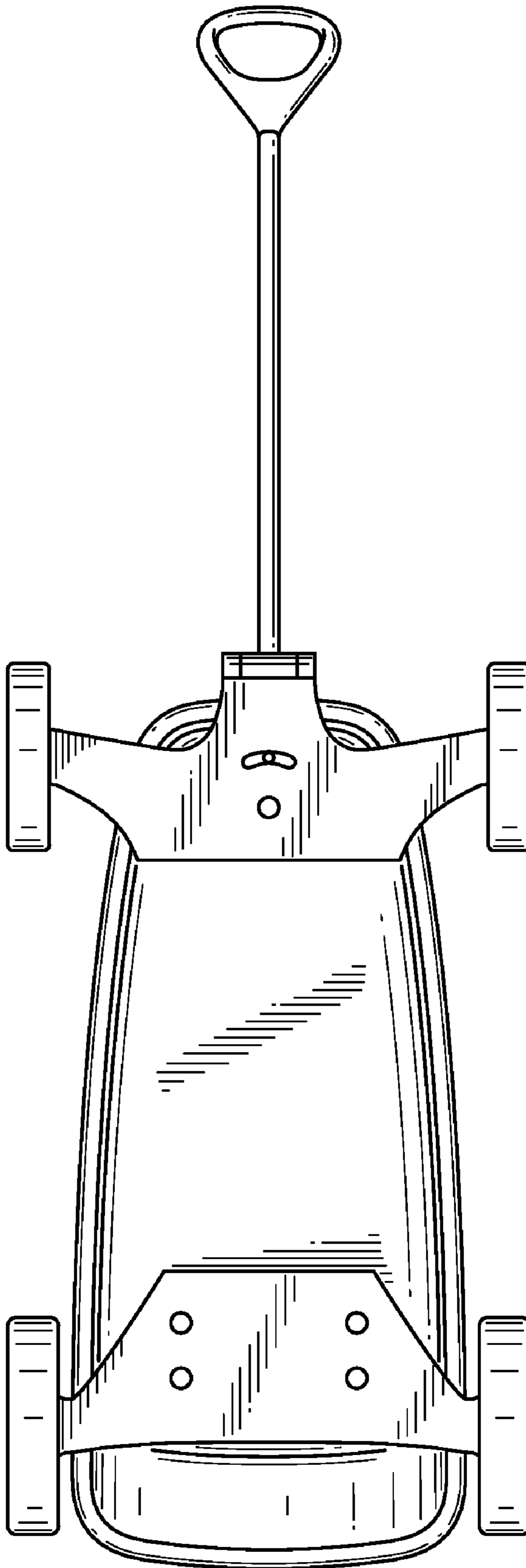


FIG. 5

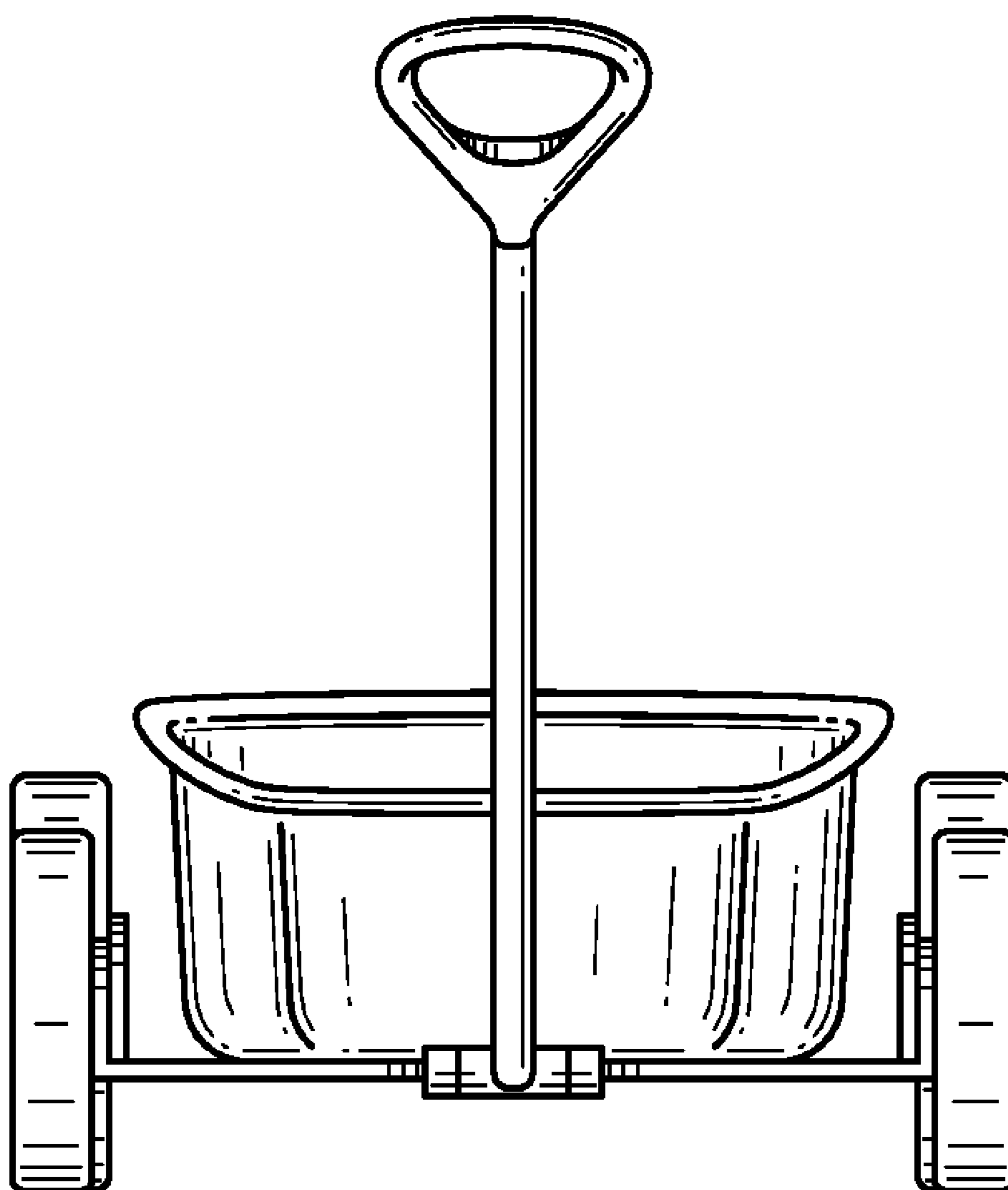


FIG. 6

