



US00D579060S

(12) **United States Design Patent**
Brockmeyer

(10) **Patent No.:** **US D579,060 S**

(45) **Date of Patent:** **** Oct. 21, 2008**

(54) **PEDAL CAR**

(76) **Inventor:** **Eric Lee Brockmeyer**, 1455 Knoll
Ridge Dr., Viera, FL (US) 32940

(**) **Term:** **14 Years**

(21) **Appl. No.:** **29/304,596**

(22) **Filed:** **Mar. 5, 2008**

(51) **LOC (8) Cl.** **21-01**

(52) **U.S. Cl.** **D21/424**

(58) **Field of Classification Search** D21/419,
D21/424-427, 433, 434, 533, 536, 548-551,
D21/562; D12/86, 88, 93; 446/431, 465-470;
280/29, 200, 210, 211, 259, 214, 87.01, 87.021,
280/827, 828

See application file for complete search history.

(56) **References Cited**

U.S. PATENT DOCUMENTS

D93,674 S *	10/1934	Rideout	D21/425
D102,084 S *	11/1936	Kraeft	D21/433
D147,423 S *	9/1947	Smith	D21/433
D147,645 S *	10/1947	Florian	D21/425
D148,265 S *	12/1947	Wheeler	D21/425
D160,884 S *	11/1950	Powell	D21/433
D202,434 S *	9/1965	Schrechengust	D21/426
D213,511 S *	3/1969	Moribe	D21/433

D240,843 S *	8/1976	Zick	D21/833
D269,098 S *	5/1983	Mariol	D21/433
D383,503 S *	9/1997	Pierce	D21/426
D449,861 S *	10/2001	Chiappetta et al.	D21/433
D468,369 S *	1/2003	Chiappetta et al.	D21/434

* cited by examiner

Primary Examiner—Holly H. Baynham

Assistant Examiner—Cynthia M Chin

(74) *Attorney, Agent, or Firm*—Jason H. Foster; Kremblas,
Foster, Phillips & Pollick

(57) **CLAIM**

The ornamental design for a pedal car, as shown and described.

DESCRIPTION

FIG. 1 is a front perspective view of a pedal car showing my new design.

FIG. 2 is a top view thereof.

FIG. 3 is a right side view thereof. A left side view thereof is not shown but is a mirror image of the right side view.

FIG. 4 is a front view thereof.

FIG. 5 is a rear view thereof; and,

FIG. 6 is a bottom view thereof.

1 Claim, 4 Drawing Sheets

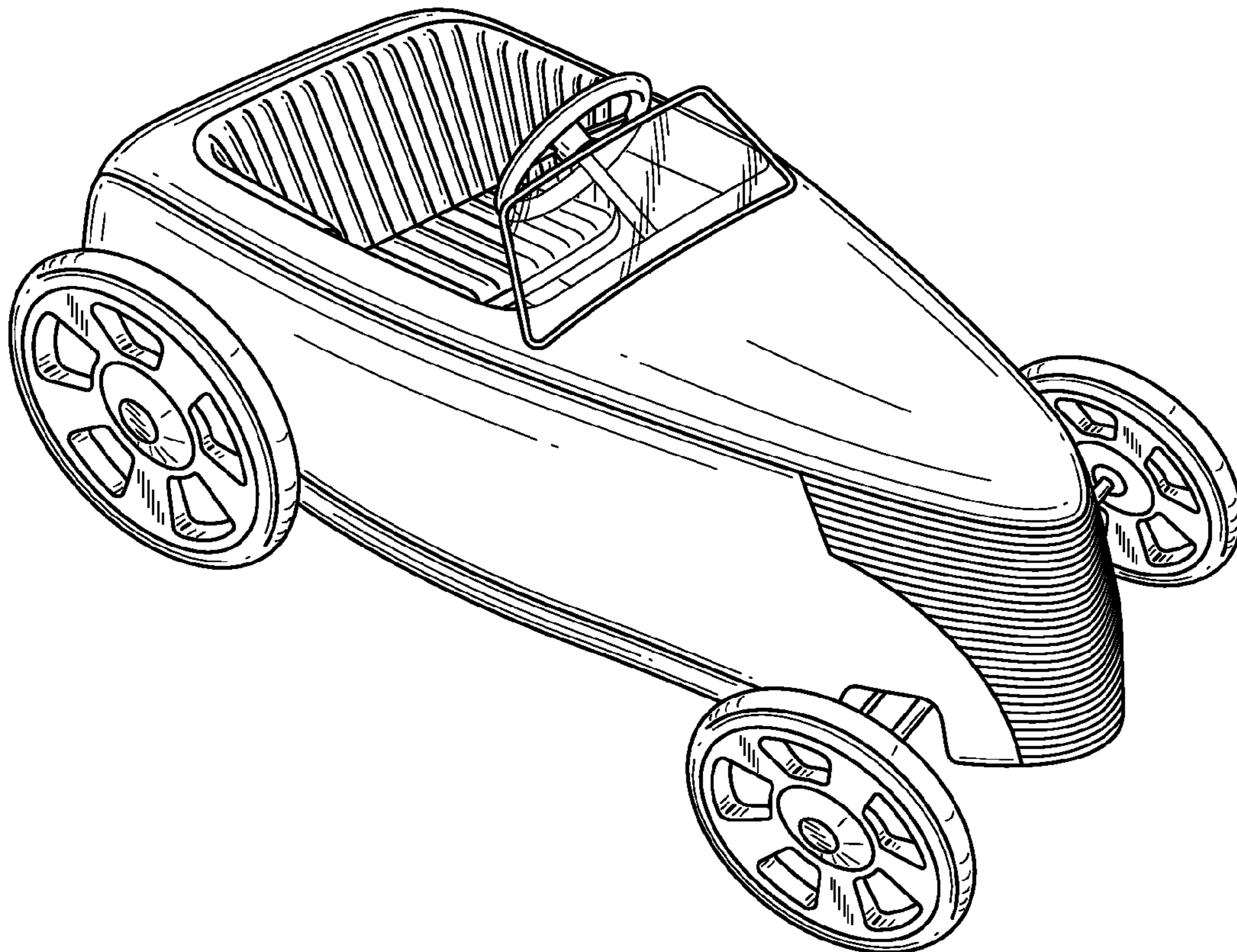


FIG. 1

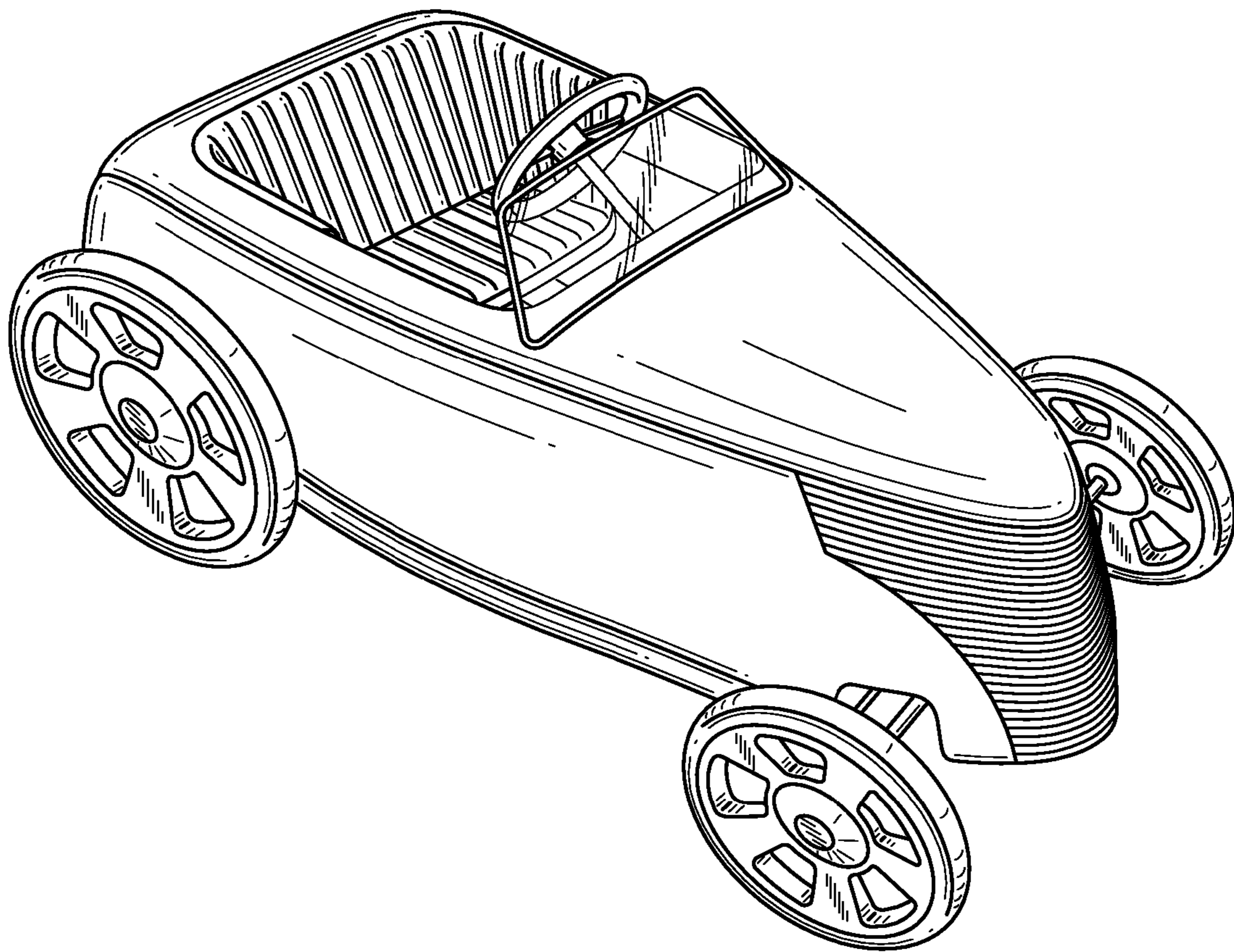


FIG. 2

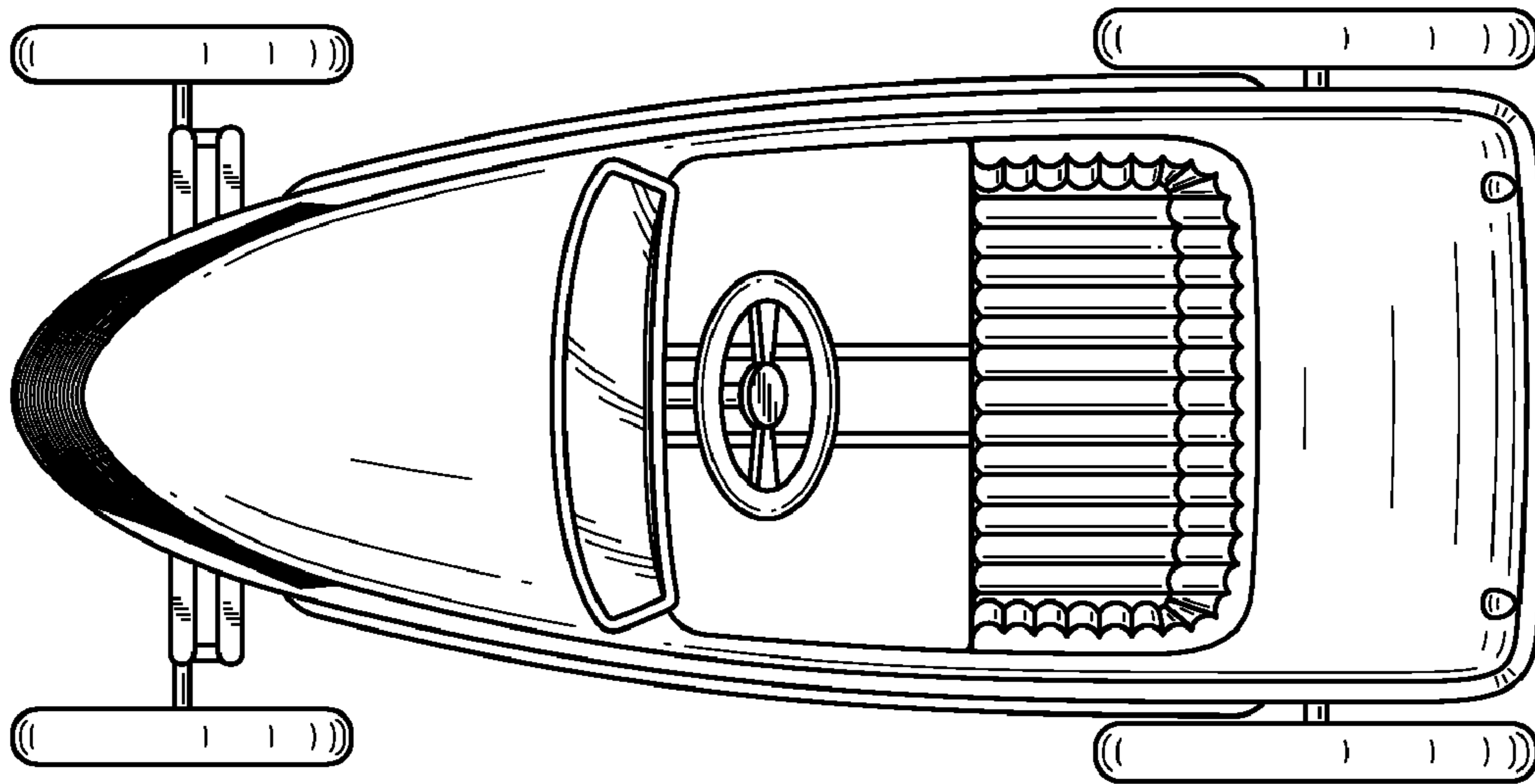


FIG. 3

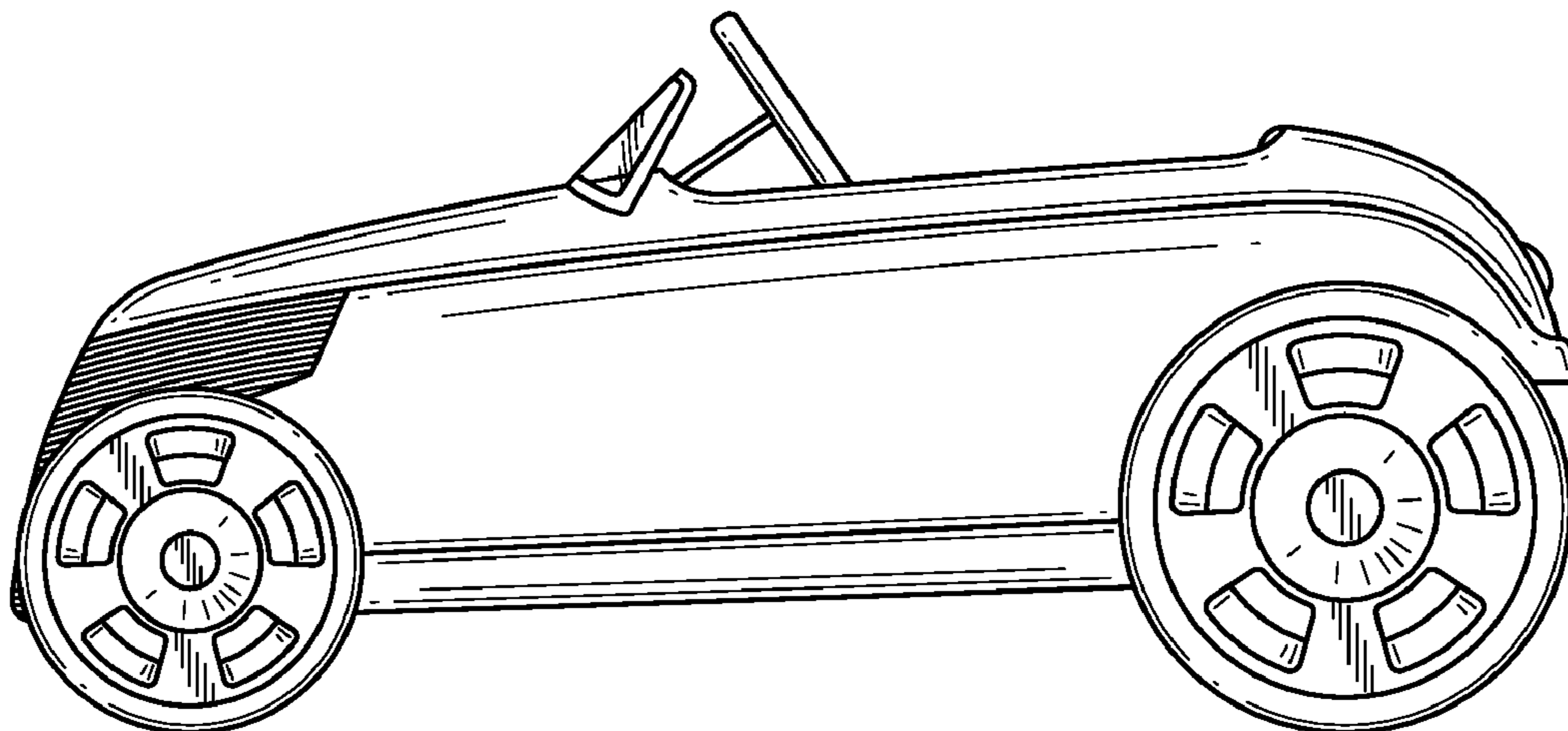


FIG. 4

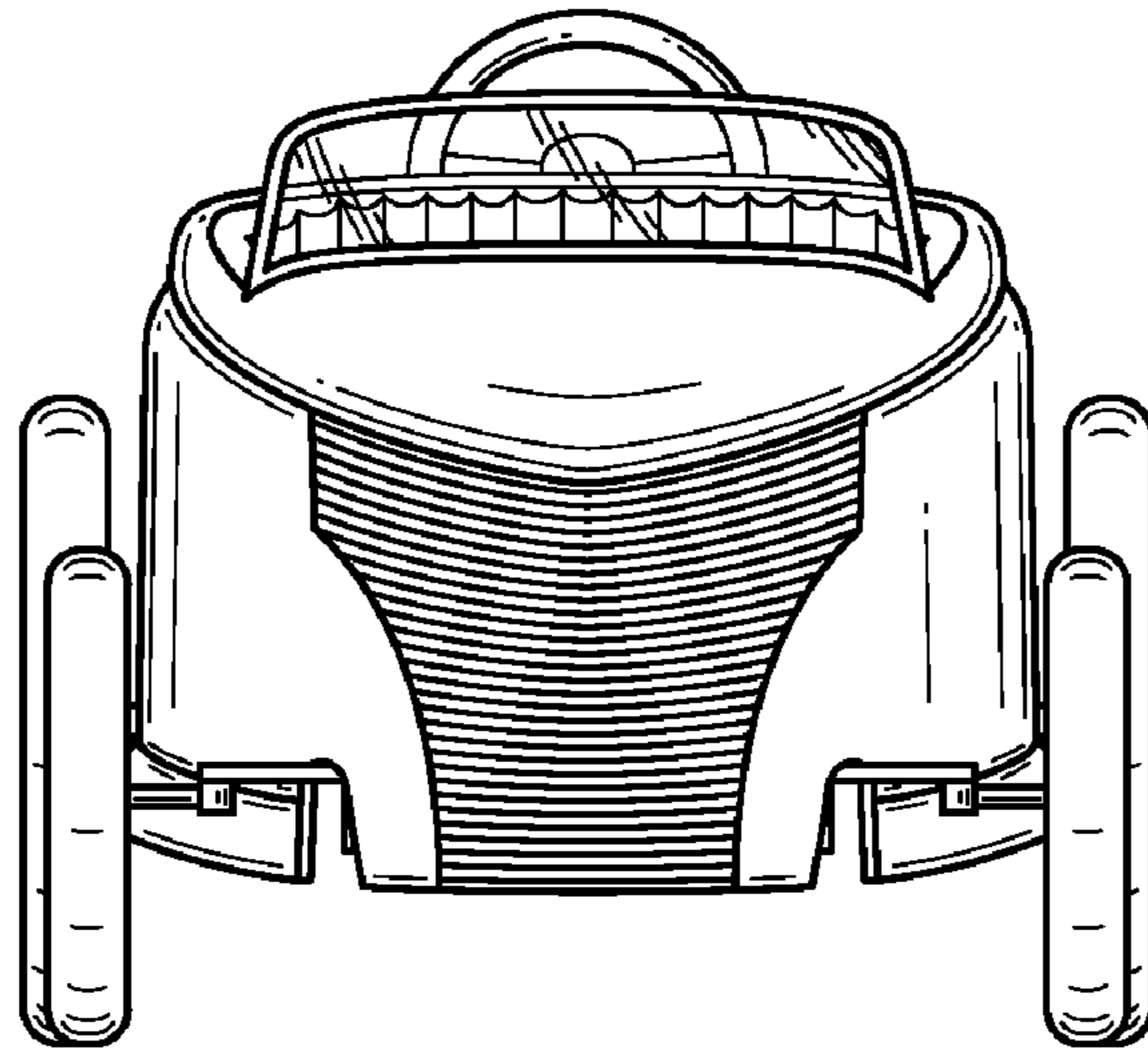


FIG. 5

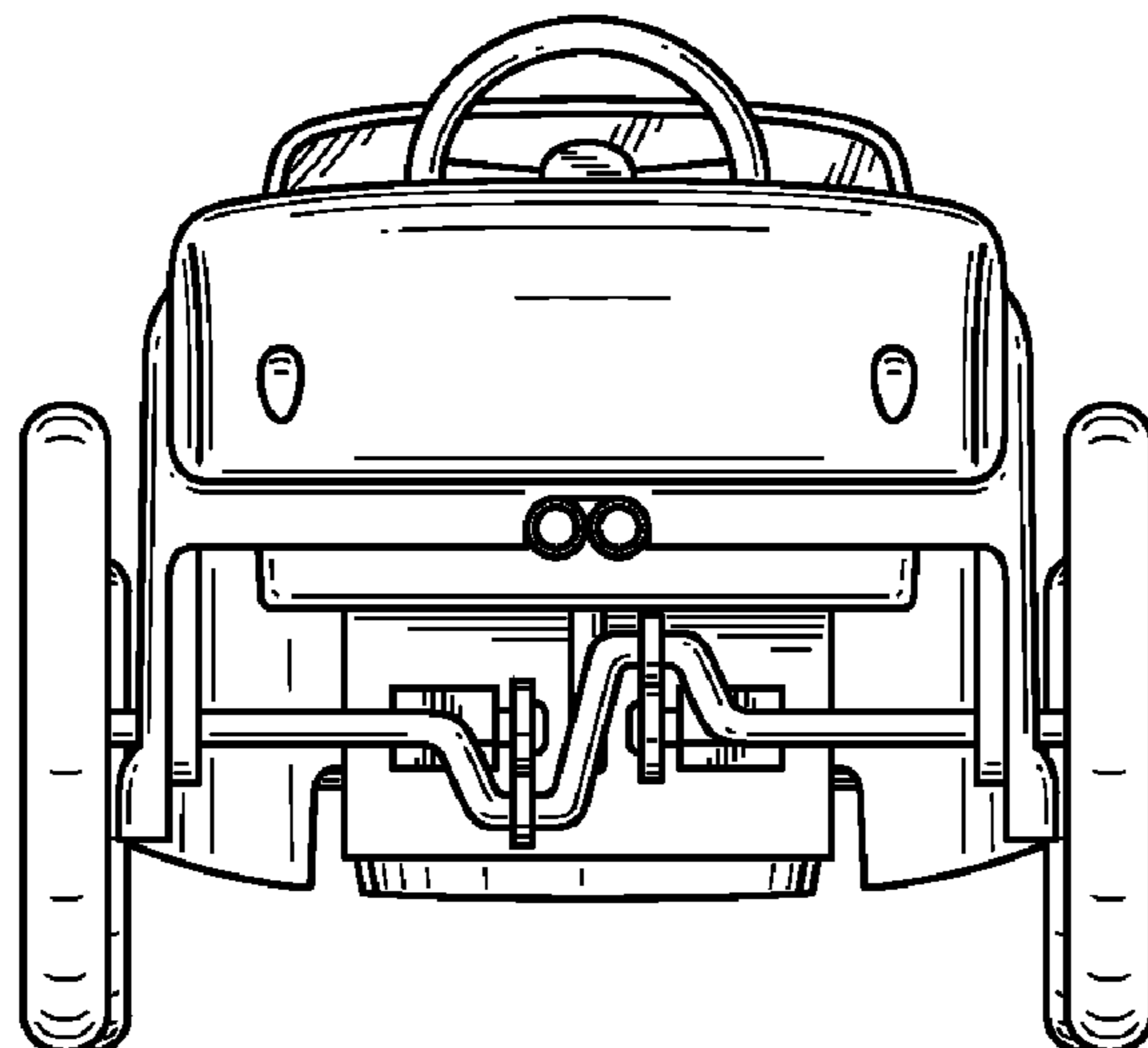


FIG. 6

