



US00D579059S

(12) **United States Design Patent**
Chan

(10) **Patent No.:** **US D579,059 S**
(45) **Date of Patent:** **** Oct. 21, 2008**

(54) **PORTABLE AND FOLDABLE GAME TABLE**

(76) Inventor: **Man Yan Chan**, Unit M, 12/F., Kaiser Estate, Phase 3, 11 Hok Yuen Street, Hunghom, Kowloon (HK)

(**) Term: **14 Years**

(21) Appl. No.: **29/279,553**

(22) Filed: **May 3, 2007**

(51) **LOC (8) Cl.** **21-01**

(52) **U.S. Cl.** **D21/397; D21/335; D6/511**

(58) **Field of Classification Search** D21/334-365,
D21/396-397; D6/429, 511; 273/148 R,
273/309

See application file for complete search history.

(56) **References Cited**

U.S. PATENT DOCUMENTS

803,351	A	*	10/1905	Mason	273/309
D128,163	S	*	7/1941	Greitzer	D21/397
D204,390	S	*	4/1966	Bodicky	D21/397
D281,178	S	*	10/1985	Brockenshire	D21/397
4,709,928	A	*	12/1987	Willingham	273/309
5,497,998	A	*	3/1996	Horton	273/285
D470,537	S	*	2/2003	Kinzer	D21/335
D521,570	S	*	5/2006	Tsai	D21/397

* cited by examiner

Primary Examiner—Sandra Morris

(57) **CLAIM**

The ornamental design for a portable and foldable game table, as shown and described.

DESCRIPTION

FIG. 1 is a front elevational view of a portable and foldable game table showing the first embodiment of my new design;

FIG. 2 is a rear elevational view thereof;

FIG. 3 is a left side view thereof where the right side view is a mirror image;

FIG. 4 is a top plan view thereof where the bottom plan view is a mirror image;

FIG. 5 is a perspective view thereof;

FIG. 6 is a front elevational view showing the majority of the money slots detached from the table cloth thereof;

FIG. 7 is a front elevational view showing the table cloth thereof being folded;

FIG. 8 is a front elevational view showing the table cloth thereof being completely folded;

FIG. 9 is front elevational view of a money slot of the portable and foldable game table;

FIG. 10 is a rear elevational view thereof;

FIG. 11 is a left side view thereof;

FIG. 12 is a right side view thereof;

FIG. 13 is a top plan view thereof;

FIG. 14 is a bottom plan view thereof;

FIG. 15 is a perspective view showing the left side thereof;

FIG. 16 is an enlarged fragmentary perspective view showing the connecting parts of two adjacent money slots;

FIG. 17 is a front elevational view of a portable and foldable game table showing the second embodiment of my new design;

FIG. 18 is a rear elevational view thereof;

FIG. 19 is a left side view thereof where the right side view is a mirror image;

FIG. 20 is a top plan view thereof where the bottom plan view is a mirror image;

FIG. 21 is a perspective view thereof;

FIG. 22 is an inclined front elevational view showing the majority of the money slots detached from the table cloth thereof;

FIG. 23 is a front elevational view showing the table cloth thereof being folded;

FIG. 24 is a front elevational view showing the table cloth thereof being completely folded;

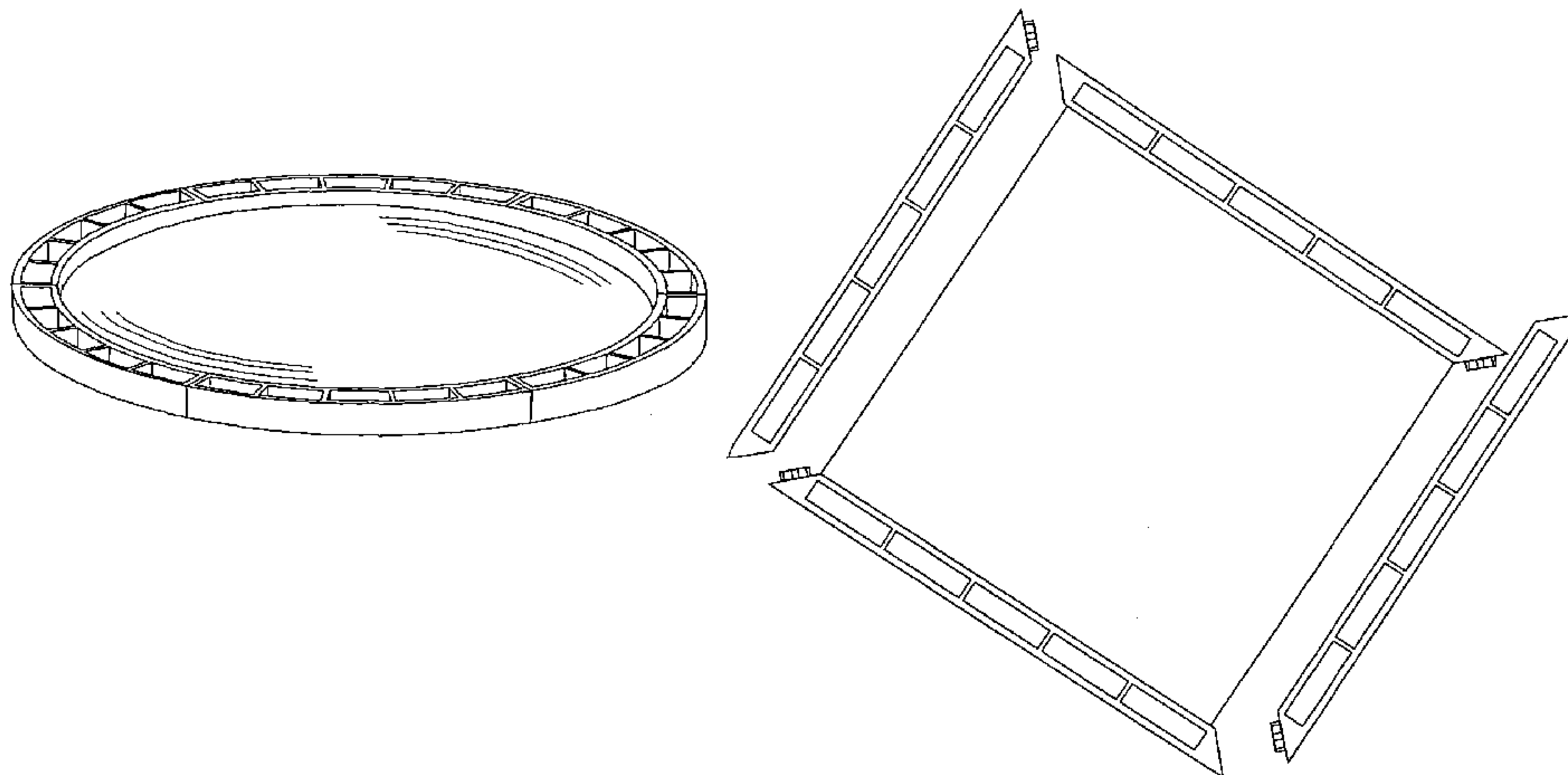


FIG. 25 is front elevational view of a money slot of the portable and foldable game table;

FIG. 26 is a rear elevational view thereof;

FIG. 27 is a left side view thereof;

FIG. 28 is a right side view thereof;

FIG. 29 is a top plan view thereof;

FIG. 30 is a bottom plan view thereof;

FIG. 31 is a perspective view showing the left side thereof;

FIG. 32 is an enlarged fragmentary perspective view showing the connecting parts of two adjacent money slots;

FIG. 33 is a front elevational view of a portable and foldable game table showing the third embodiment of my new design;

FIG. 34 is a rear elevational view thereof;

FIG. 35 is a left side view thereof where the right side view is a mirror image;

FIG. 36 is a top plan view thereof where the bottom plan view is a mirror image;

FIG. 37 is a perspective view thereof;

FIG. 38 is a front elevational view showing the majority of the money slots detached from the table cloth thereof;

FIG. 39 is a front elevational view showing the table cloth thereof being folded;

FIG. 40 is a front elevational view showing the table cloth thereof being completely folded;

FIG. 41 is front elevational view of a money slot of the portable and foldable game table;

FIG. 42 is a rear elevational view thereof;

FIG. 43 is a left side view thereof;

FIG. 44 is a right side view thereof;

FIG. 45 is a top plan view thereof;

FIG. 46 is a bottom plan view thereof;

FIG. 47 is a perspective view showing the left side thereof;

FIG. 48 is an enlarged fragmentary perspective view showing the connecting parts of two adjacent money slots;

FIG. 49 is a front elevational view of a portable and foldable game table showing the fourth embodiment of my new design;

FIG. 50 is a rear elevational view thereof;

FIG. 51 is a left side view thereof where the right side view is a mirror image;

FIG. 52 is a top plan view thereof where the bottom plan view is a mirror image;

FIG. 53 is a perspective view thereof;

FIG. 54 is an inclined front elevational view showing the majority of the money slots detached from the table cloth thereof;

FIG. 55 is a front elevational view showing the table cloth thereof being folded;

FIG. 56 is a front elevational view showing the table cloth thereof being completely folded;

FIG. 57 is front elevational view of a money slot of the portable and foldable game table;

FIG. 58 is a rear elevational view thereof;

FIG. 59 is a left side view thereof;

FIG. 60 is a right side view thereof;

FIG. 61 is a top plan view thereof;

FIG. 62 is a bottom plan view thereof;

FIG. 63 is a perspective view showing the left side thereof; and,

FIG. 64 is an enlarged fragmentary perspective view showing the connecting parts of two adjacent money slots.

1 Claim, 24 Drawing Sheets

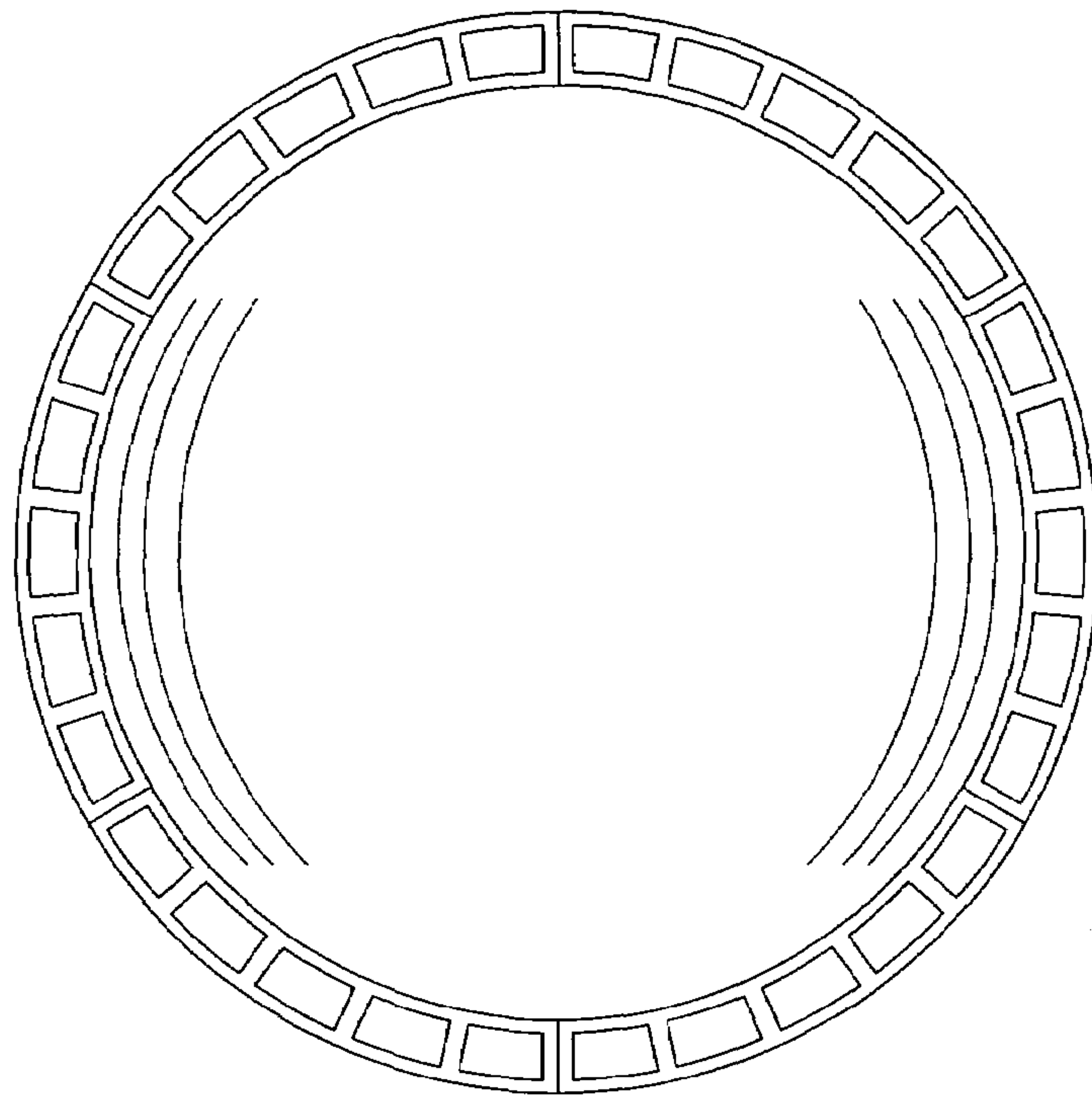


FIG. 1

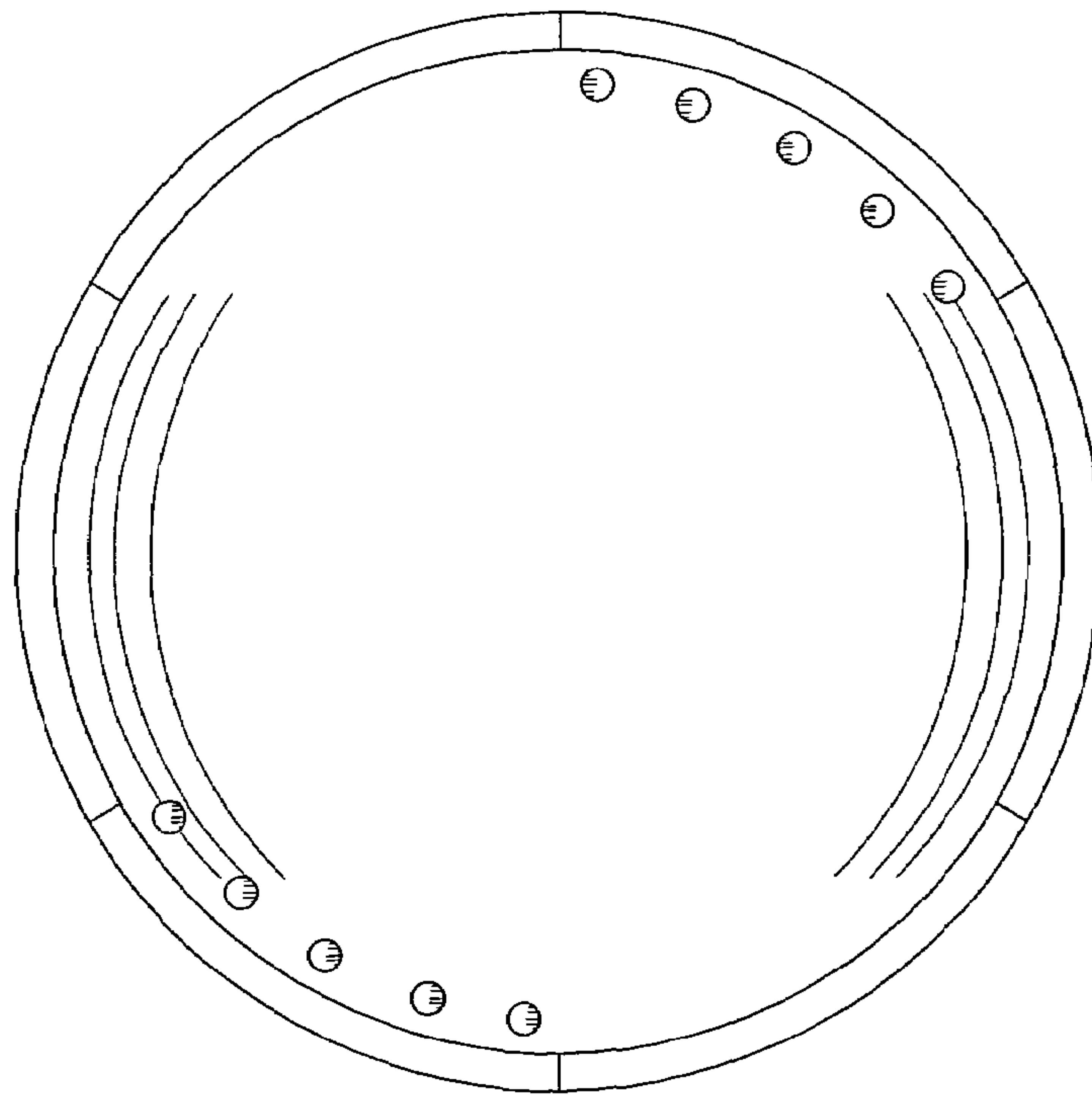


FIG. 2



FIG. 3

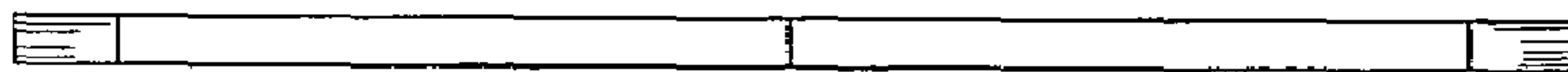


FIG. 4

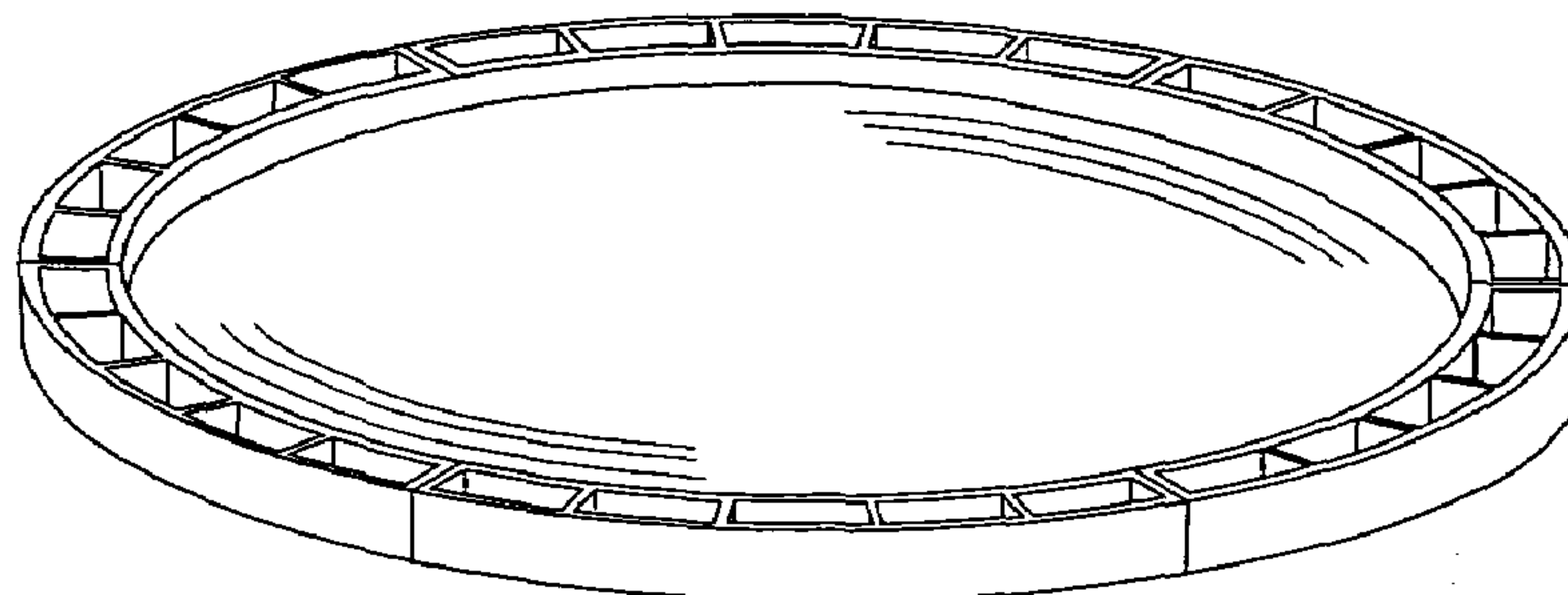


FIG. 5

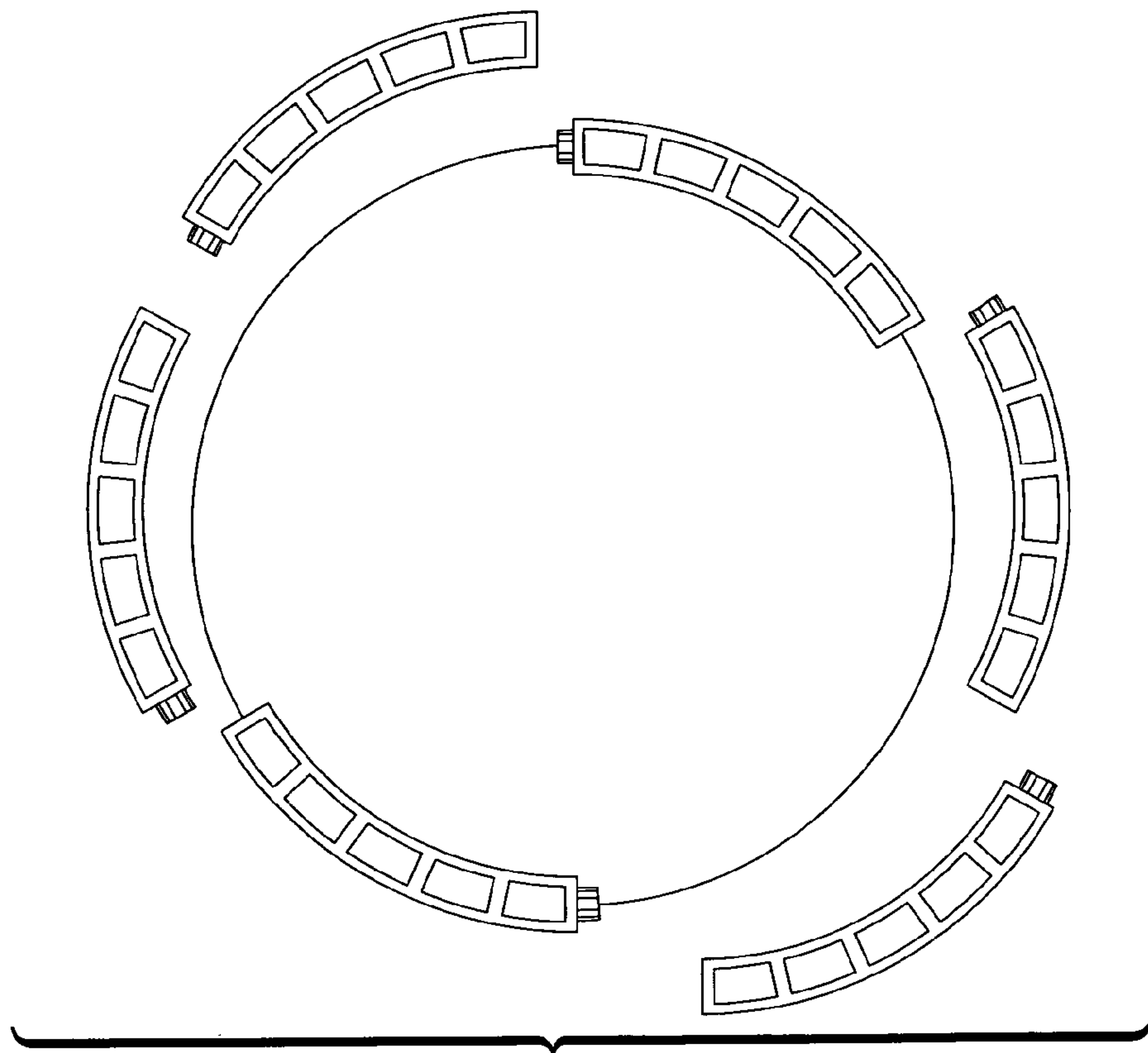


FIG. 6

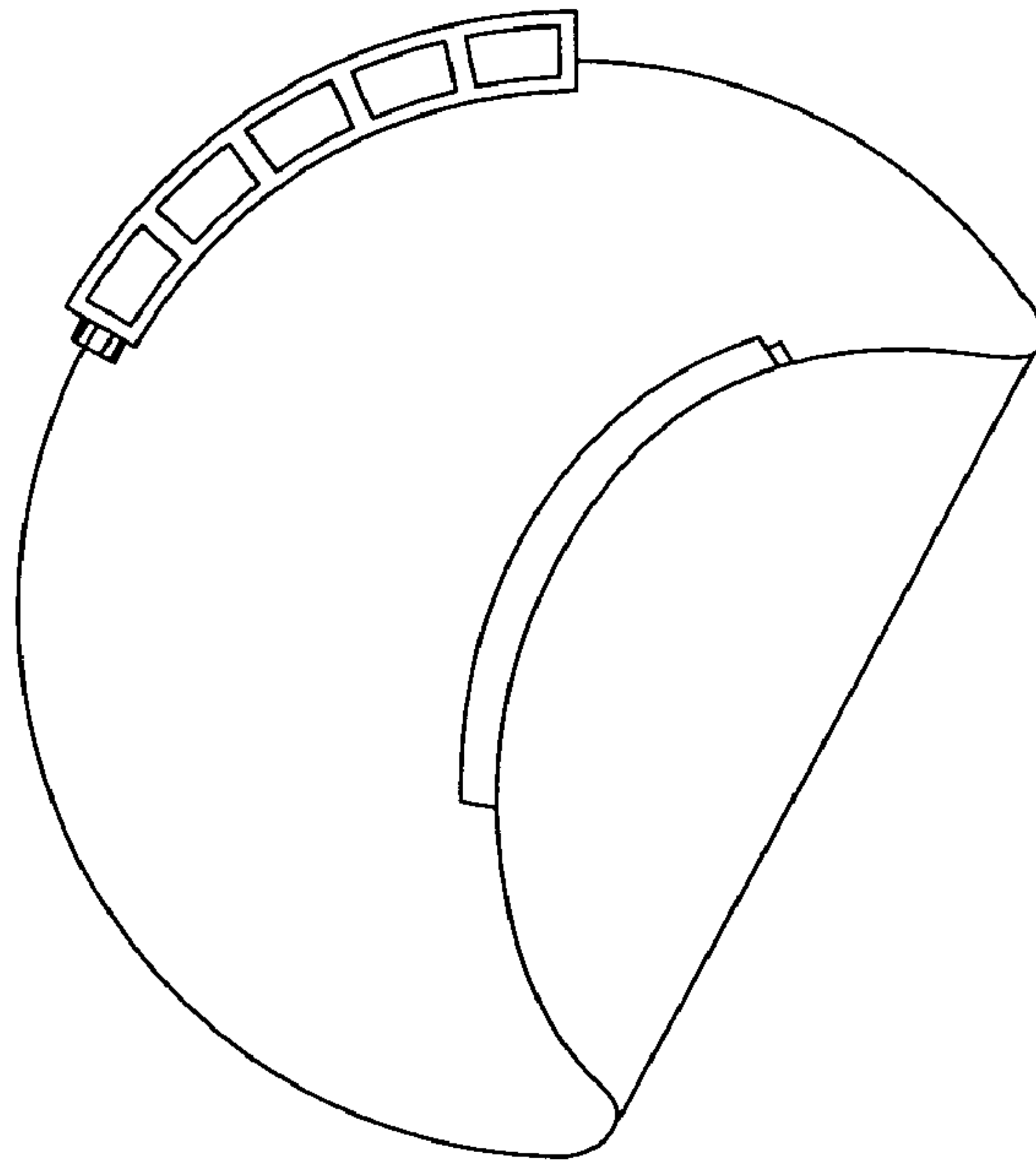


FIG. 7



FIG. 8



FIG. 9



FIG. 10



FIG. 11

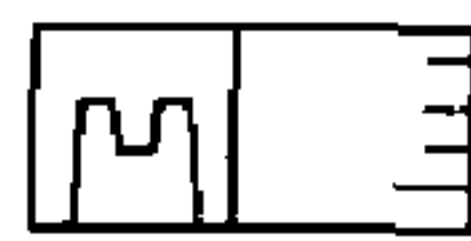


FIG. 12

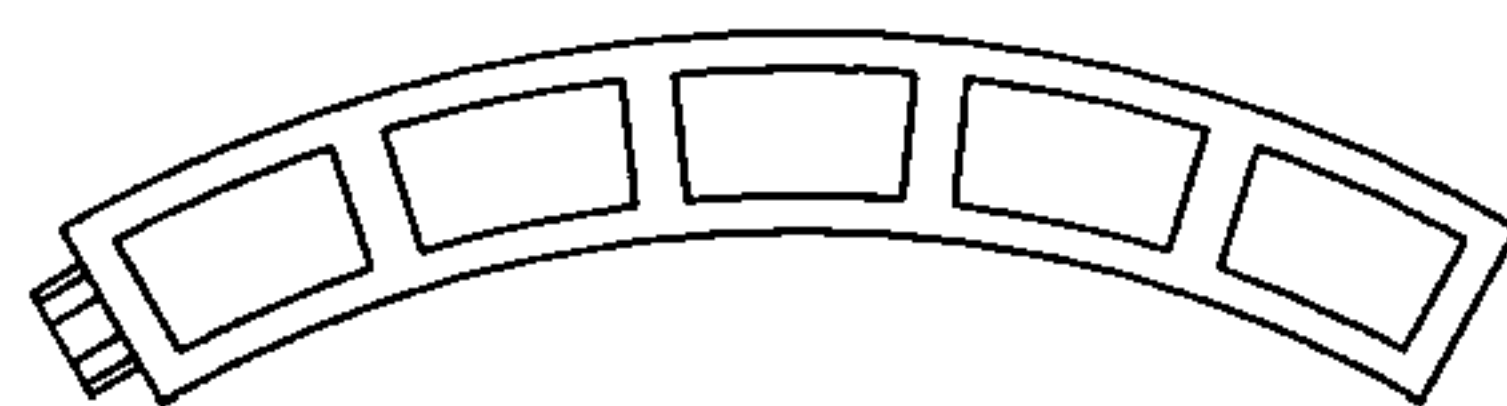


FIG. 13

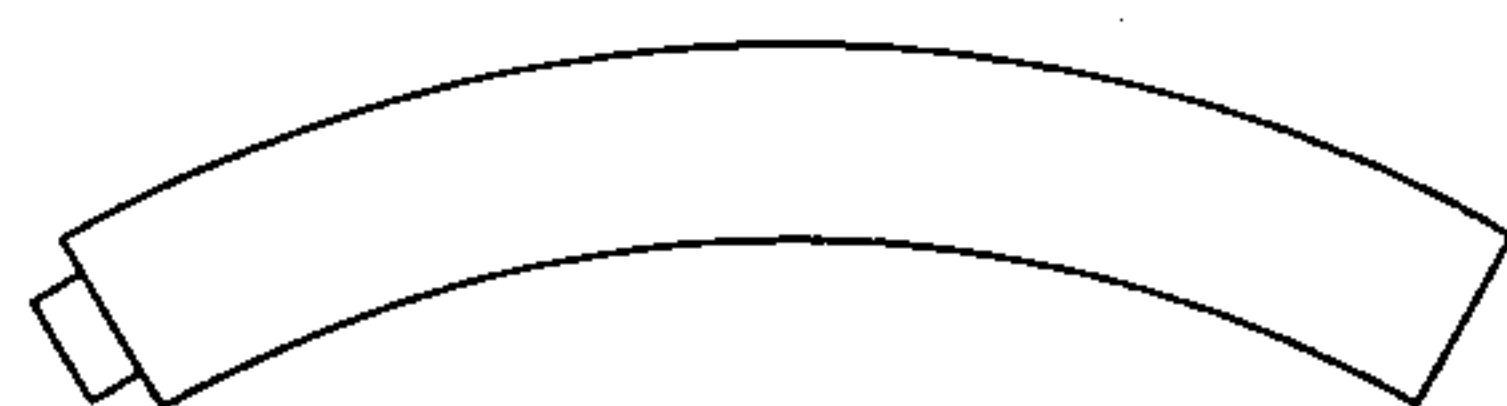


FIG. 14

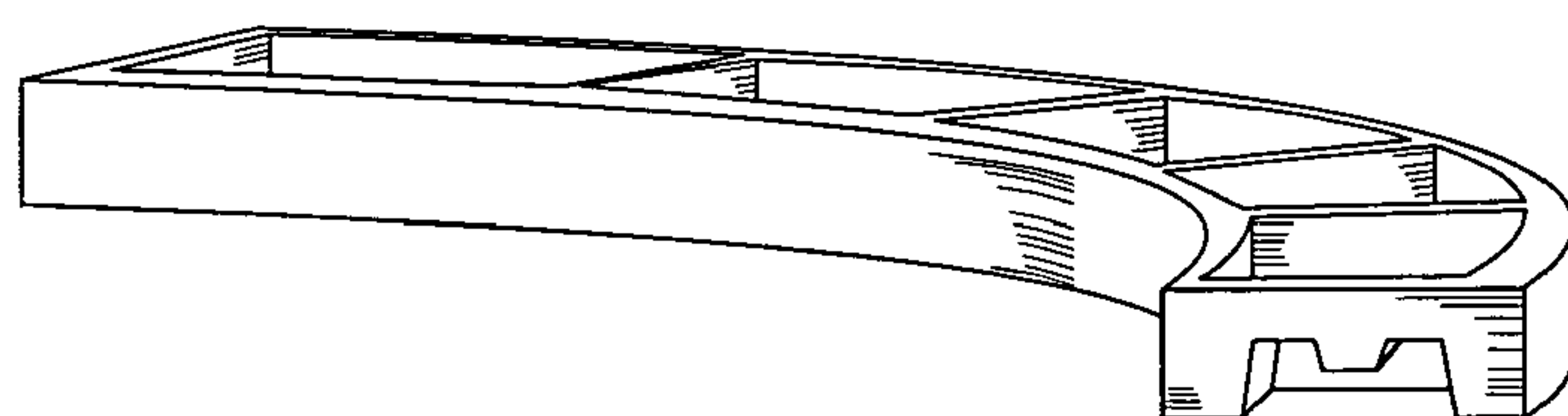


FIG. 15

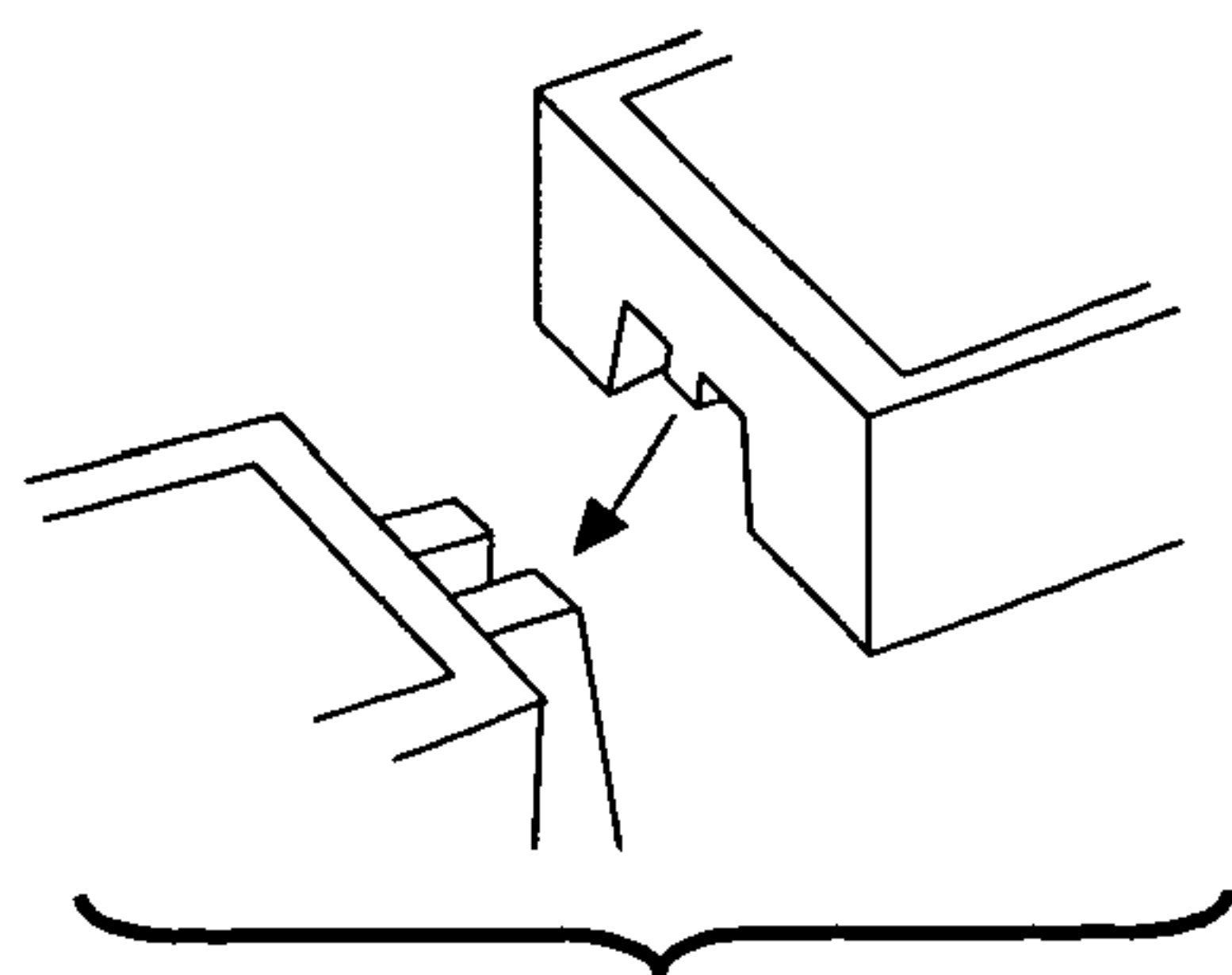


FIG. 16

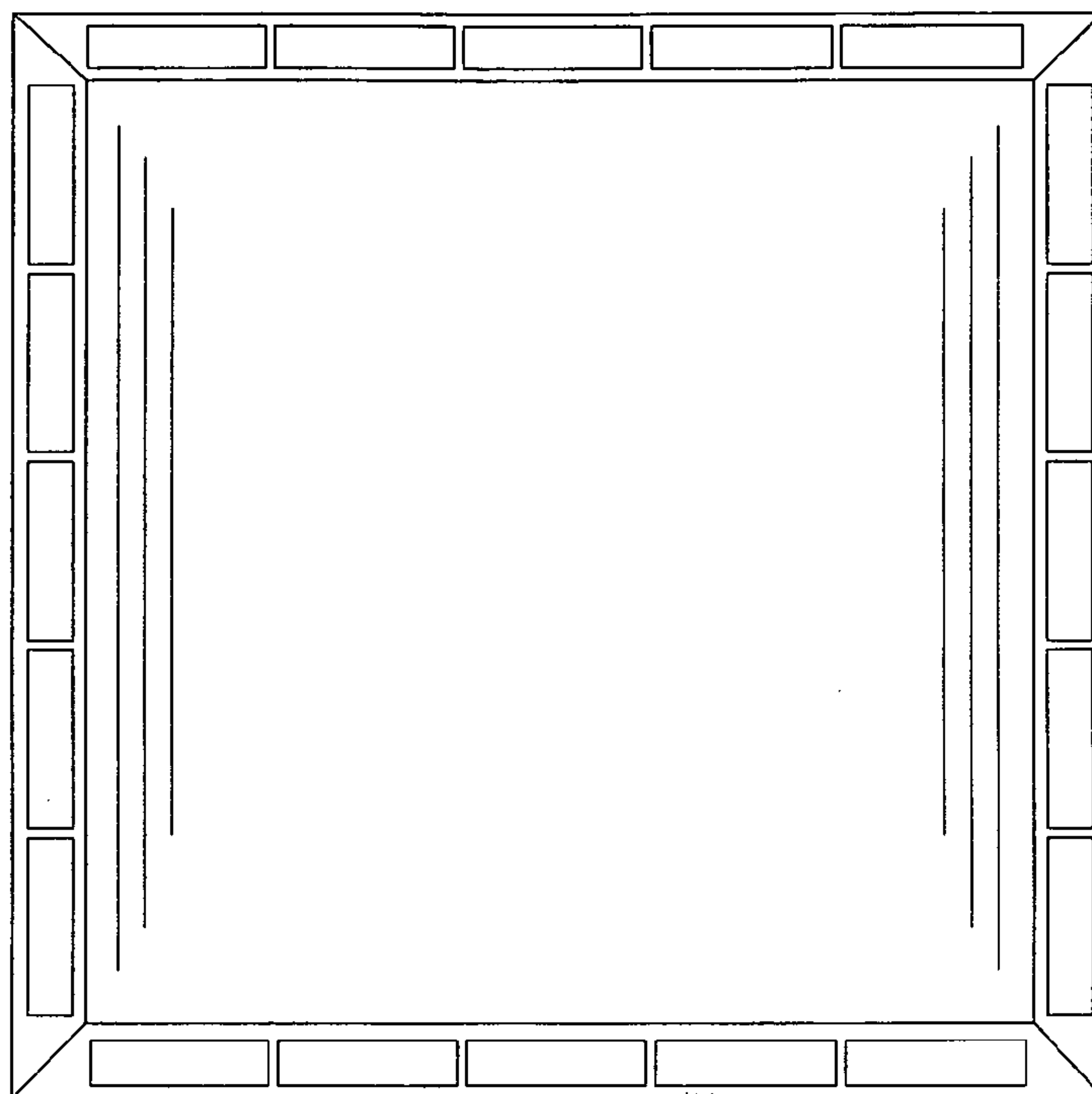


FIG. 17

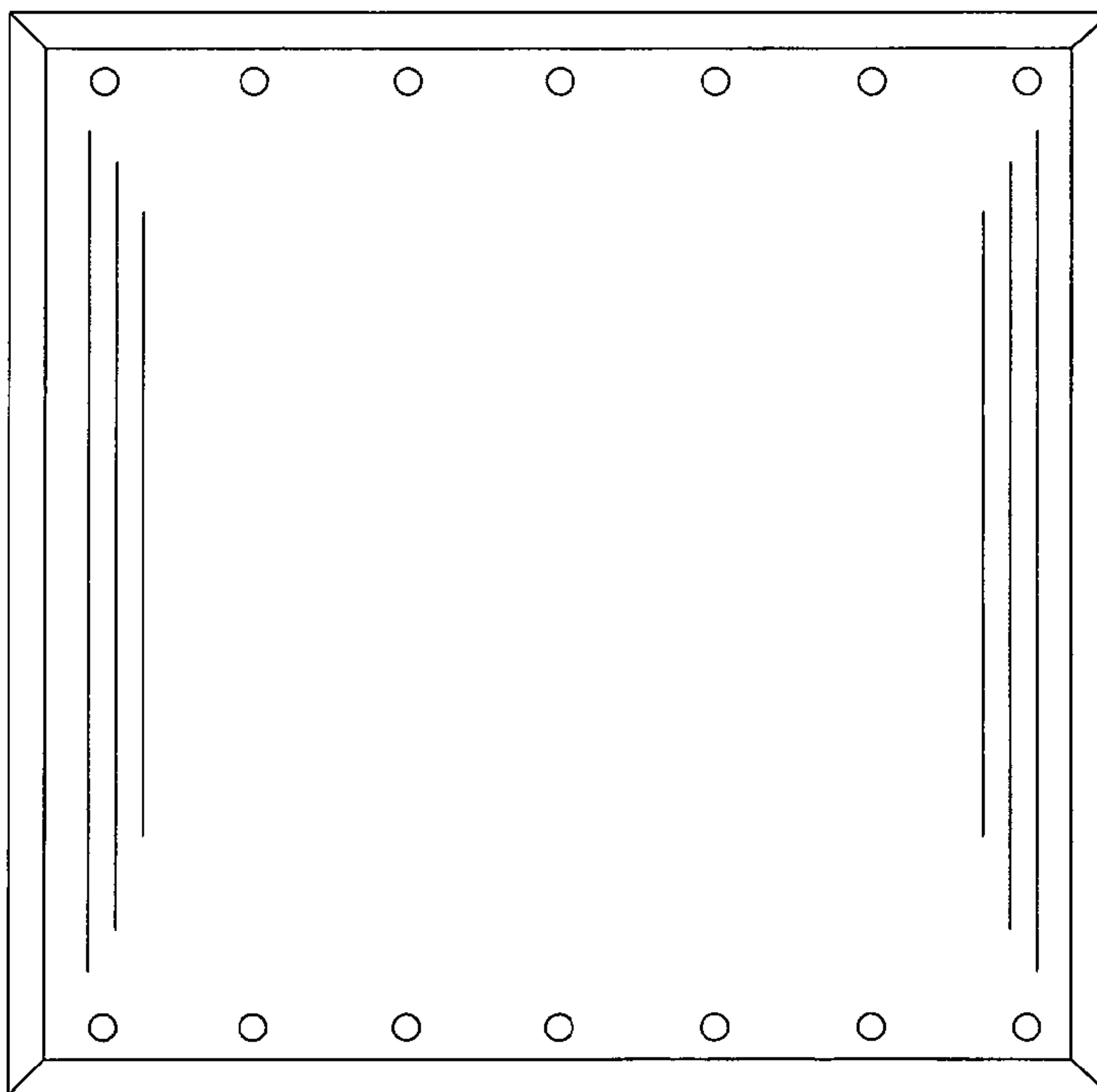


FIG. 18



FIG. 19

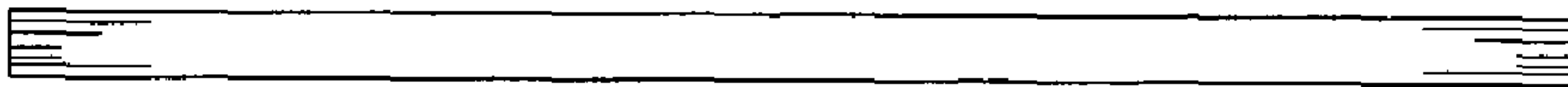


FIG. 20

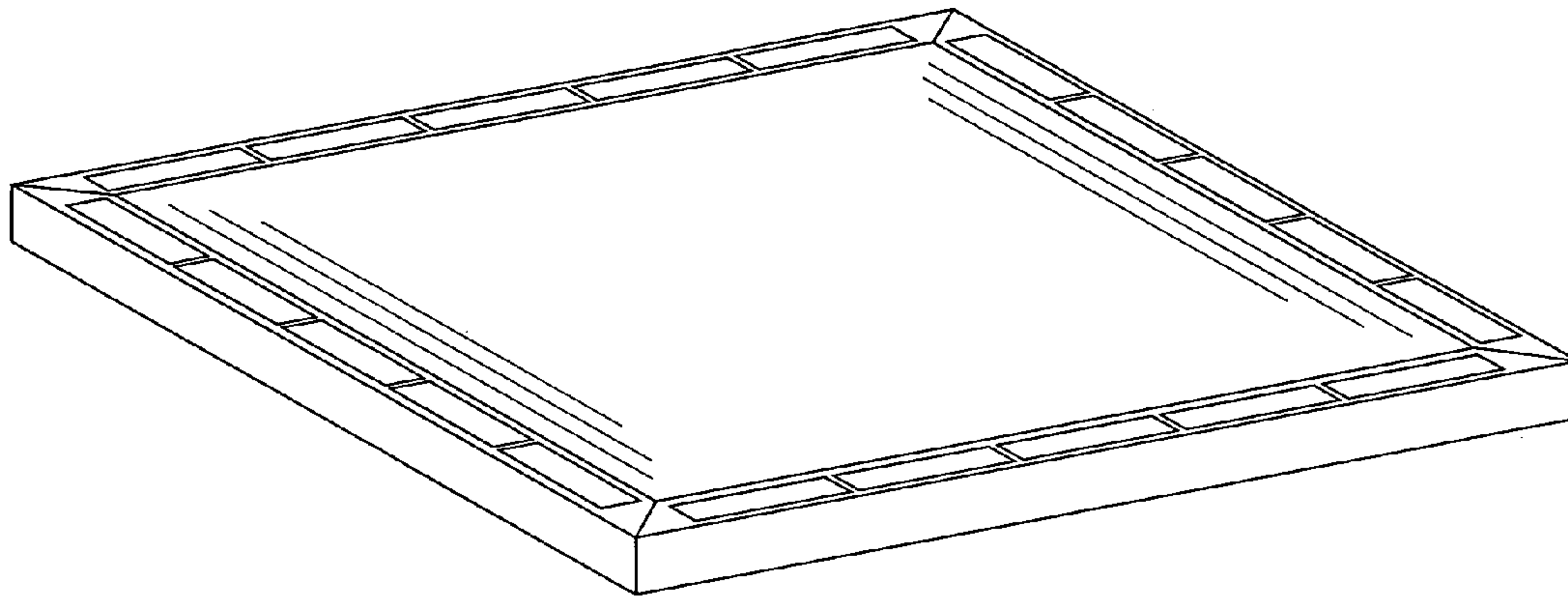


FIG 21

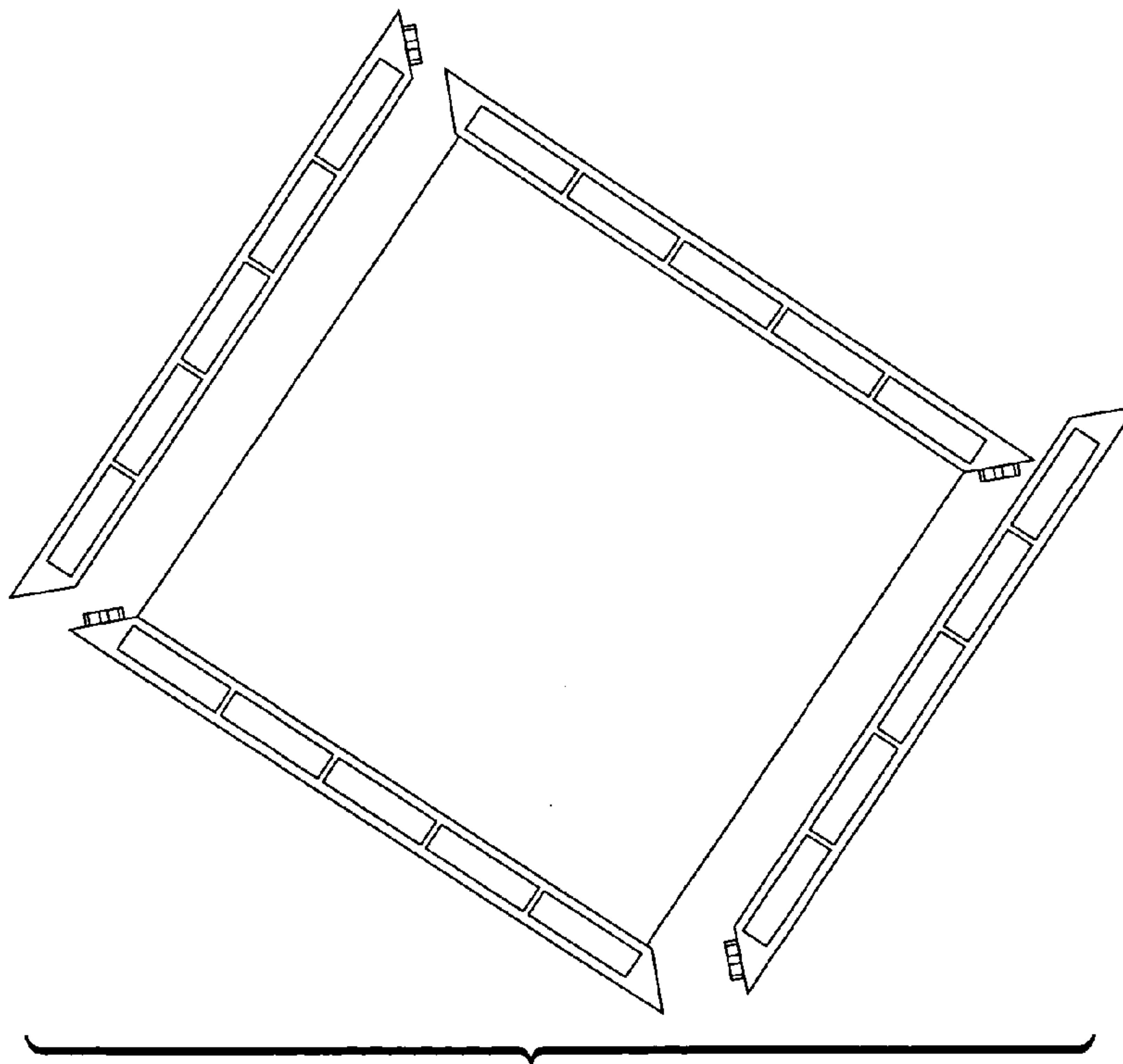


FIG 22

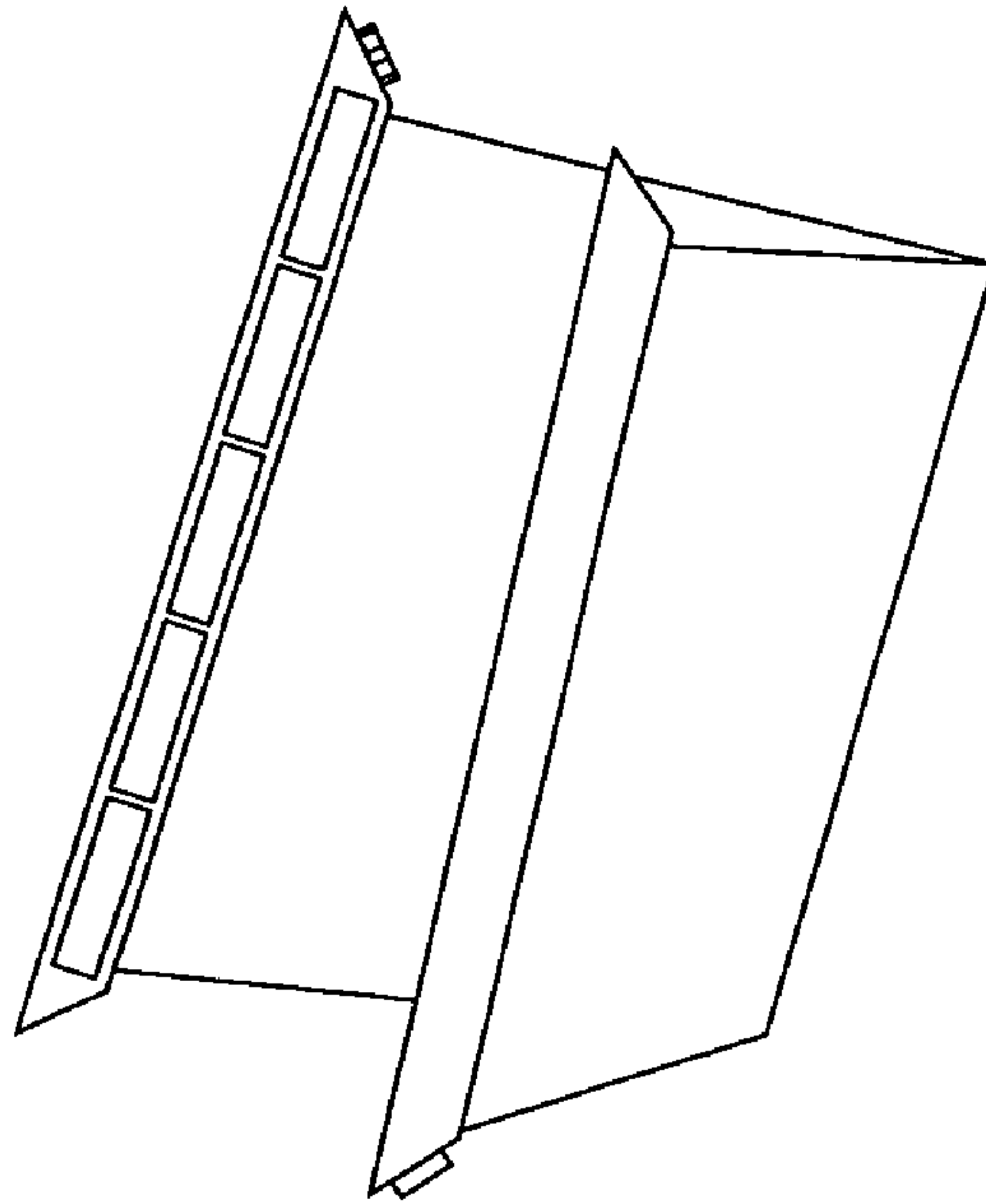


FIG. 23

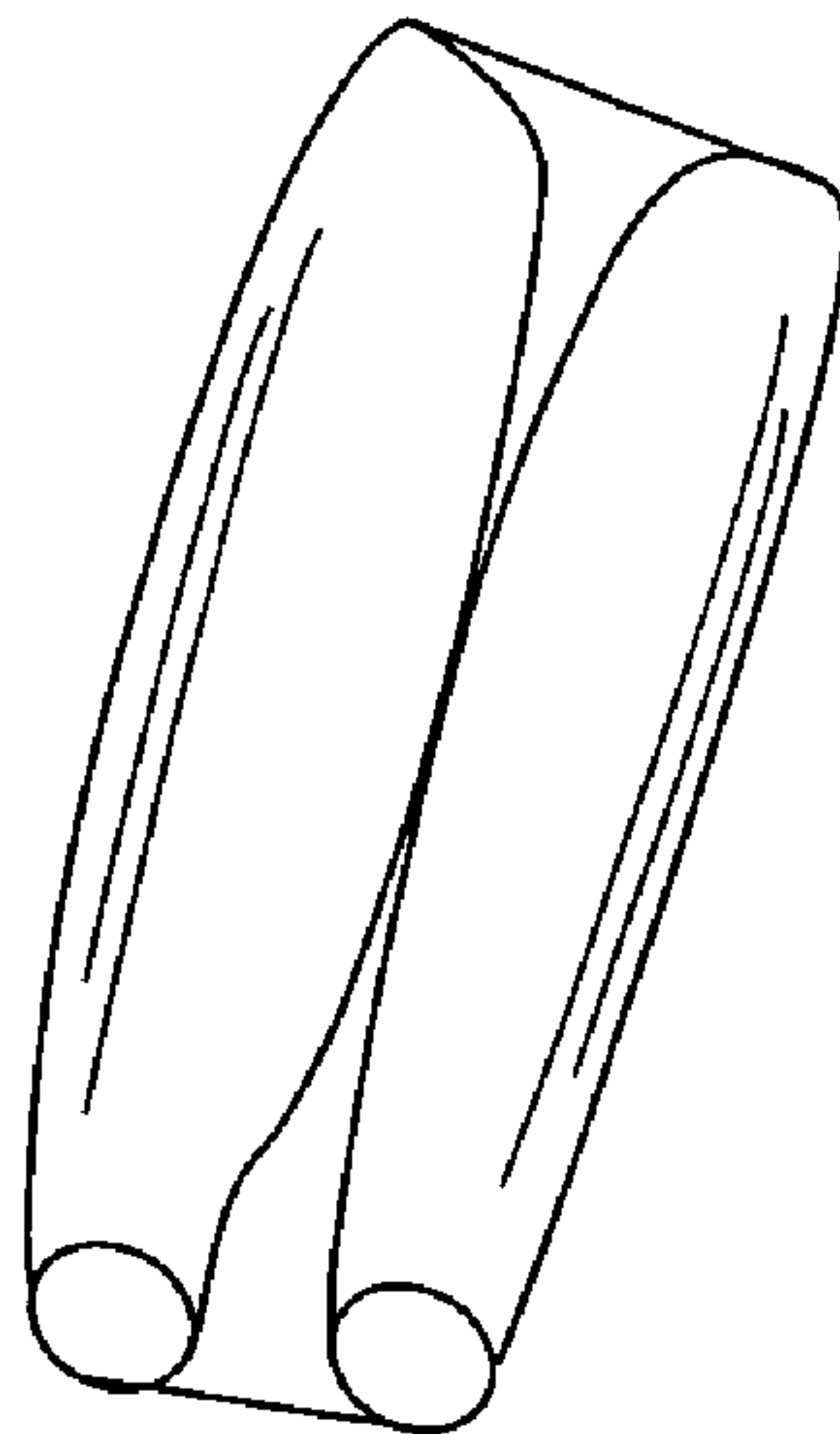


FIG. 24



FIG. 25



FIG. 26

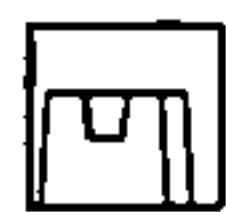


FIG. 27



FIG. 28

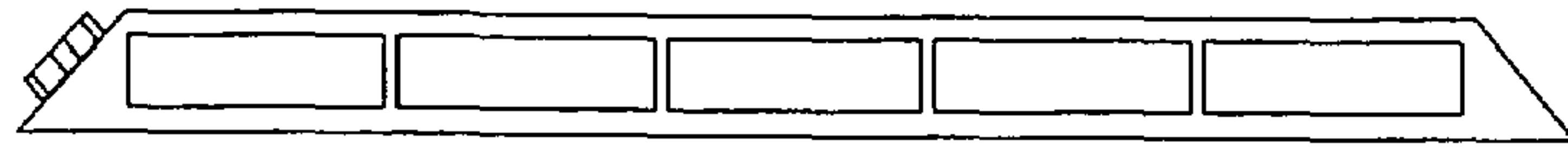


FIG. 29

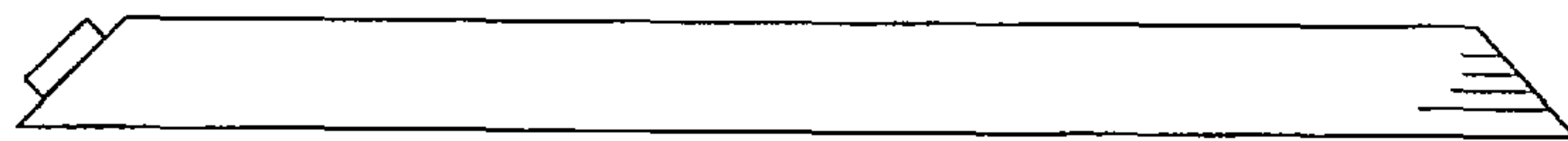


FIG. 30

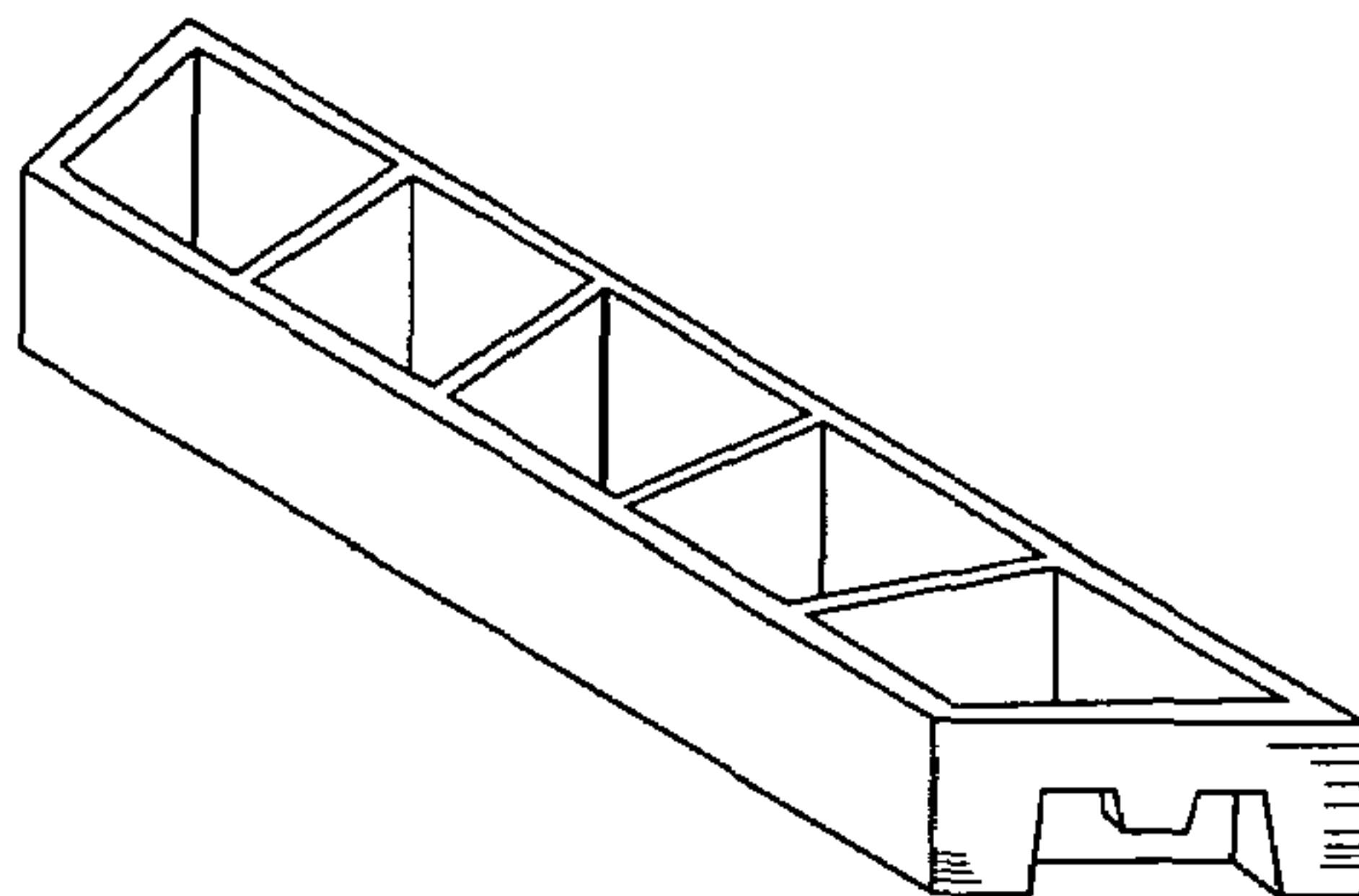


FIG. 31

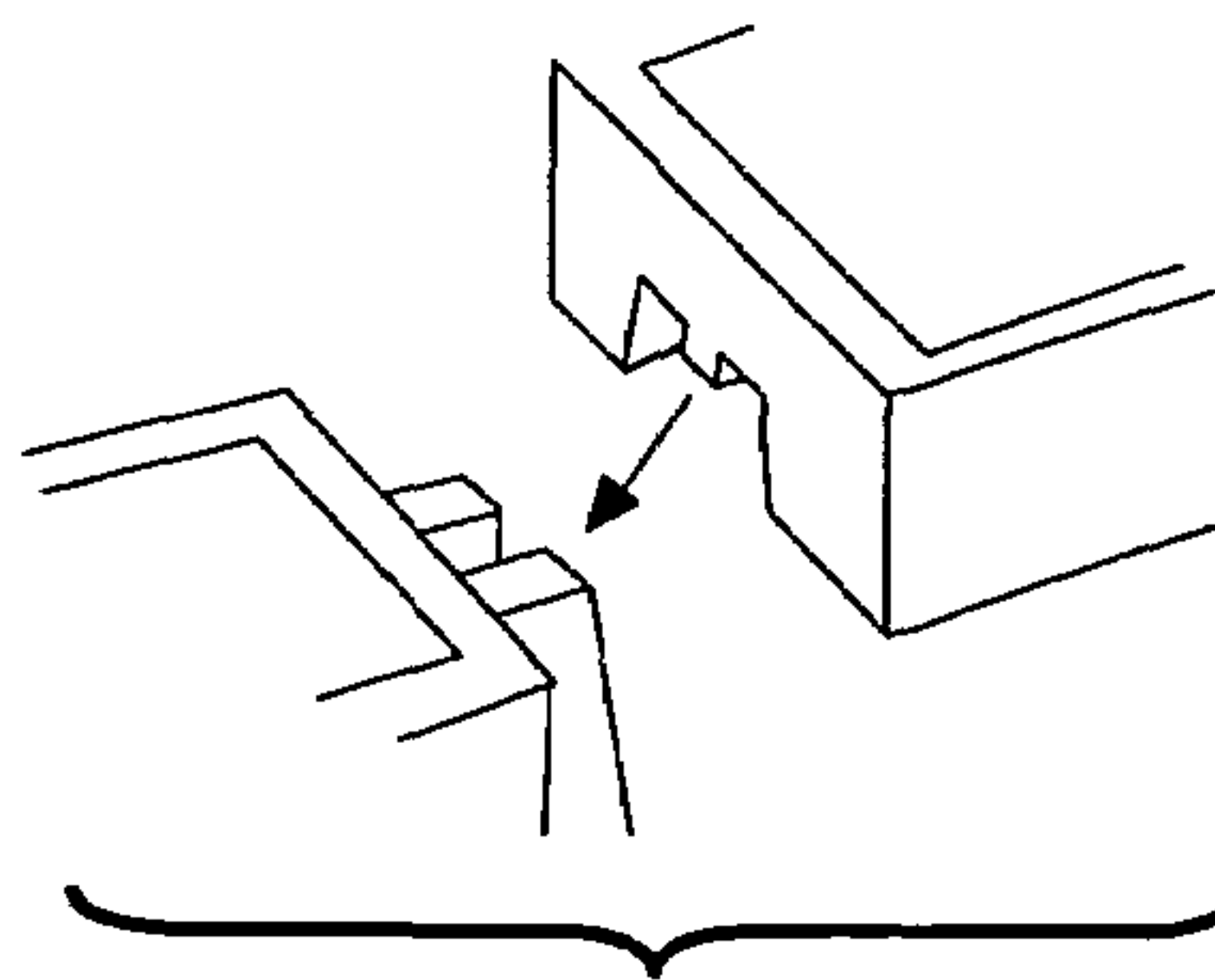


FIG. 32

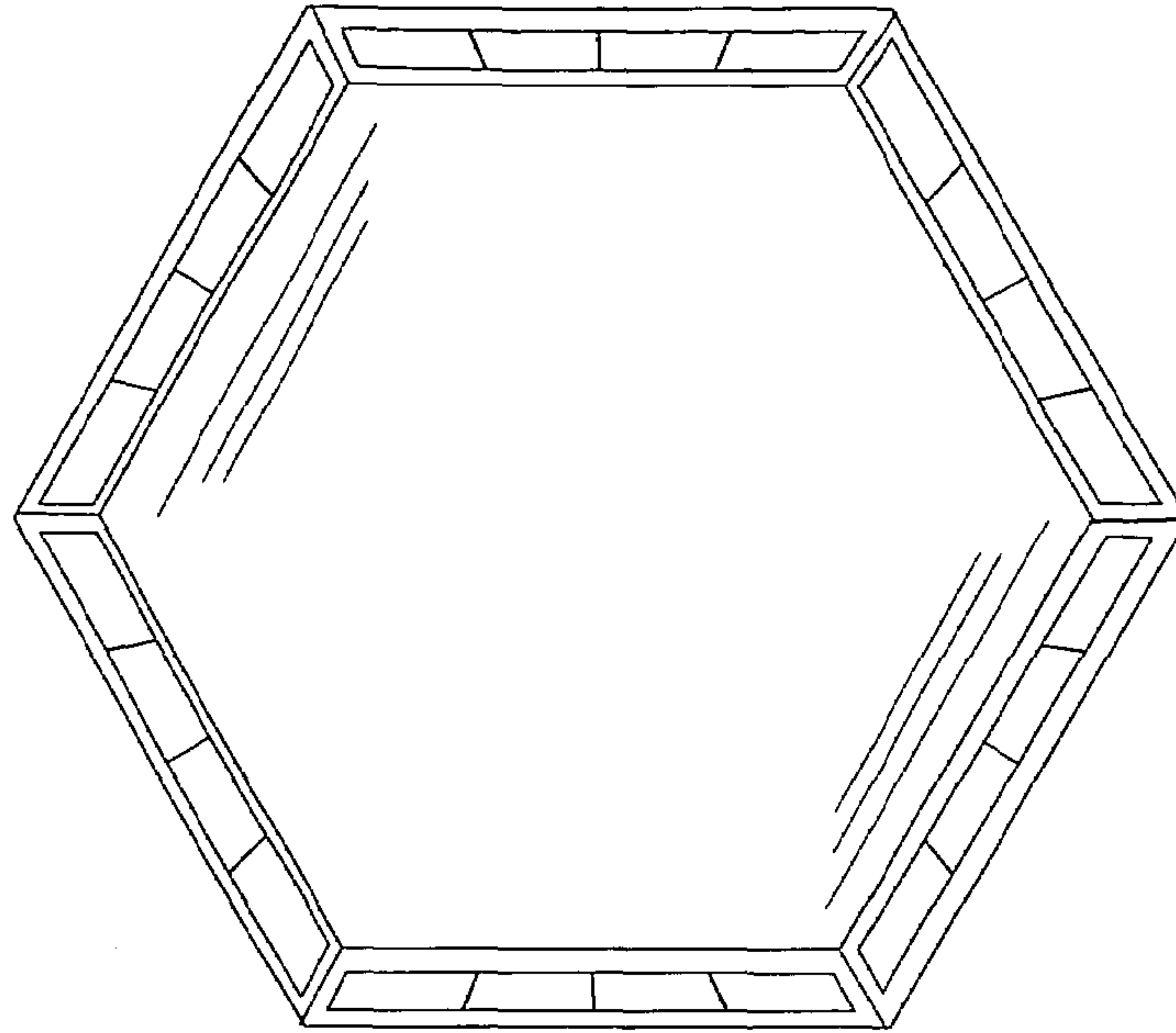


FIG. 33

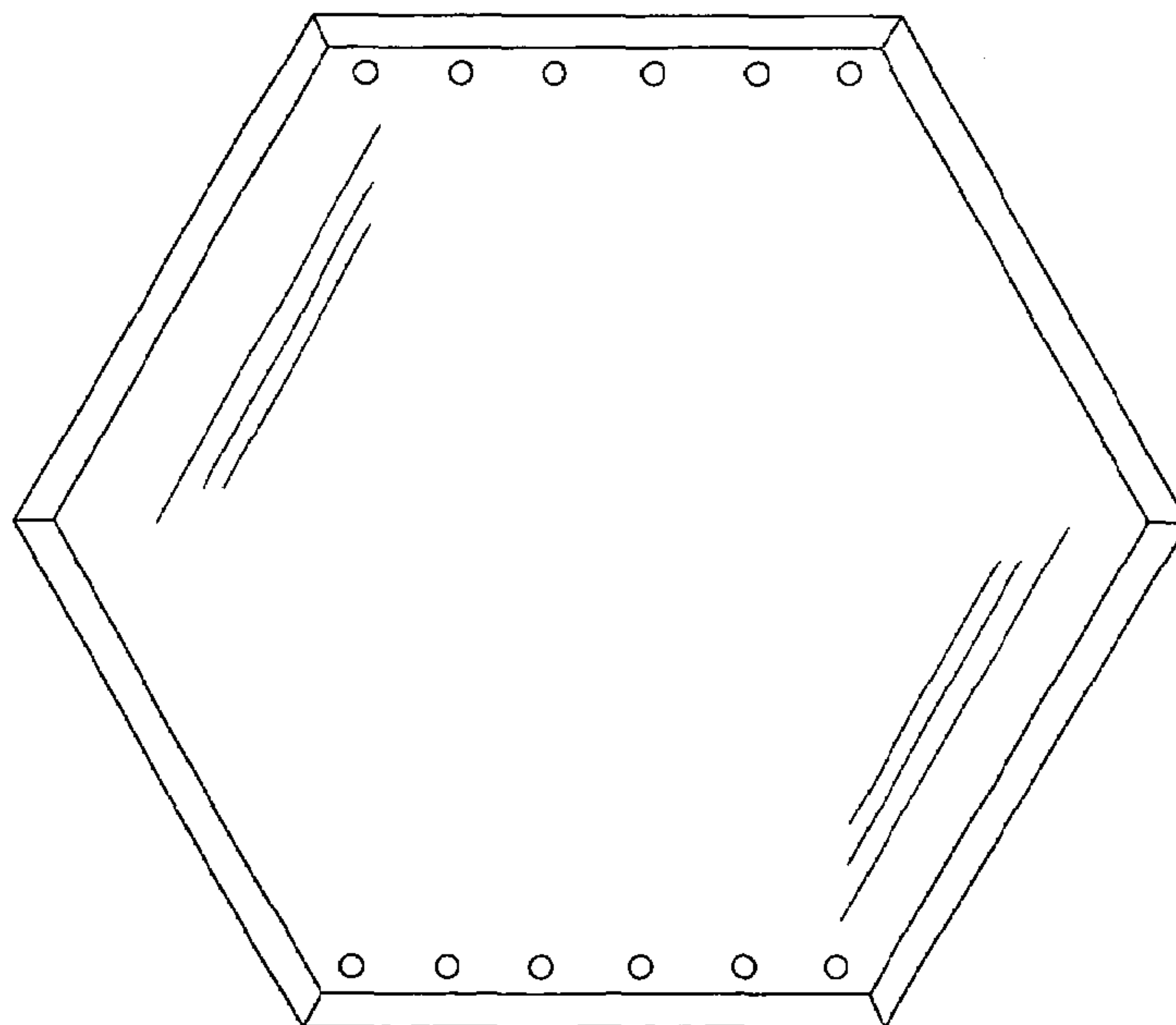


FIG. 34



FIG. 35

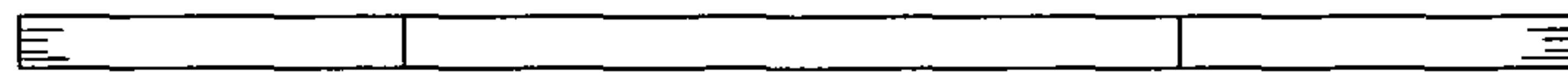


FIG. 36

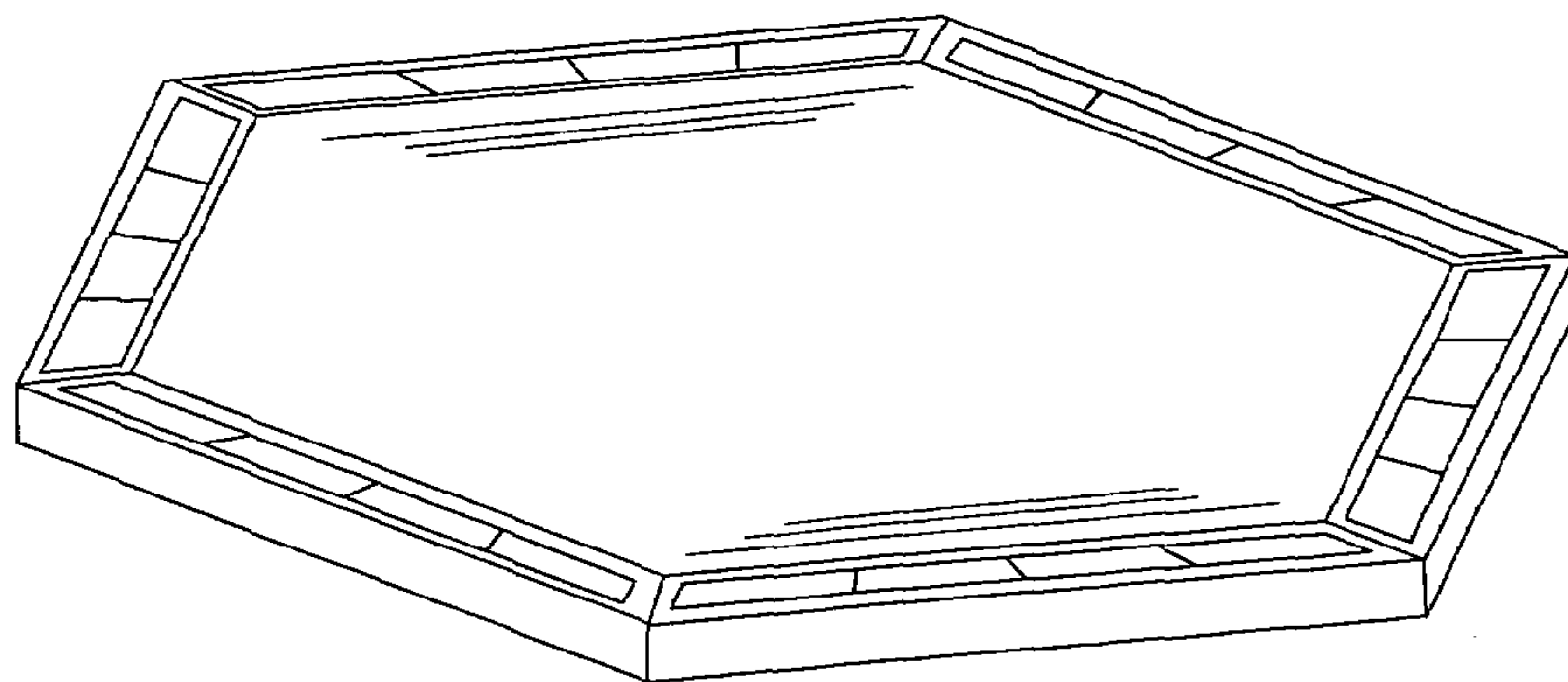


FIG. 37

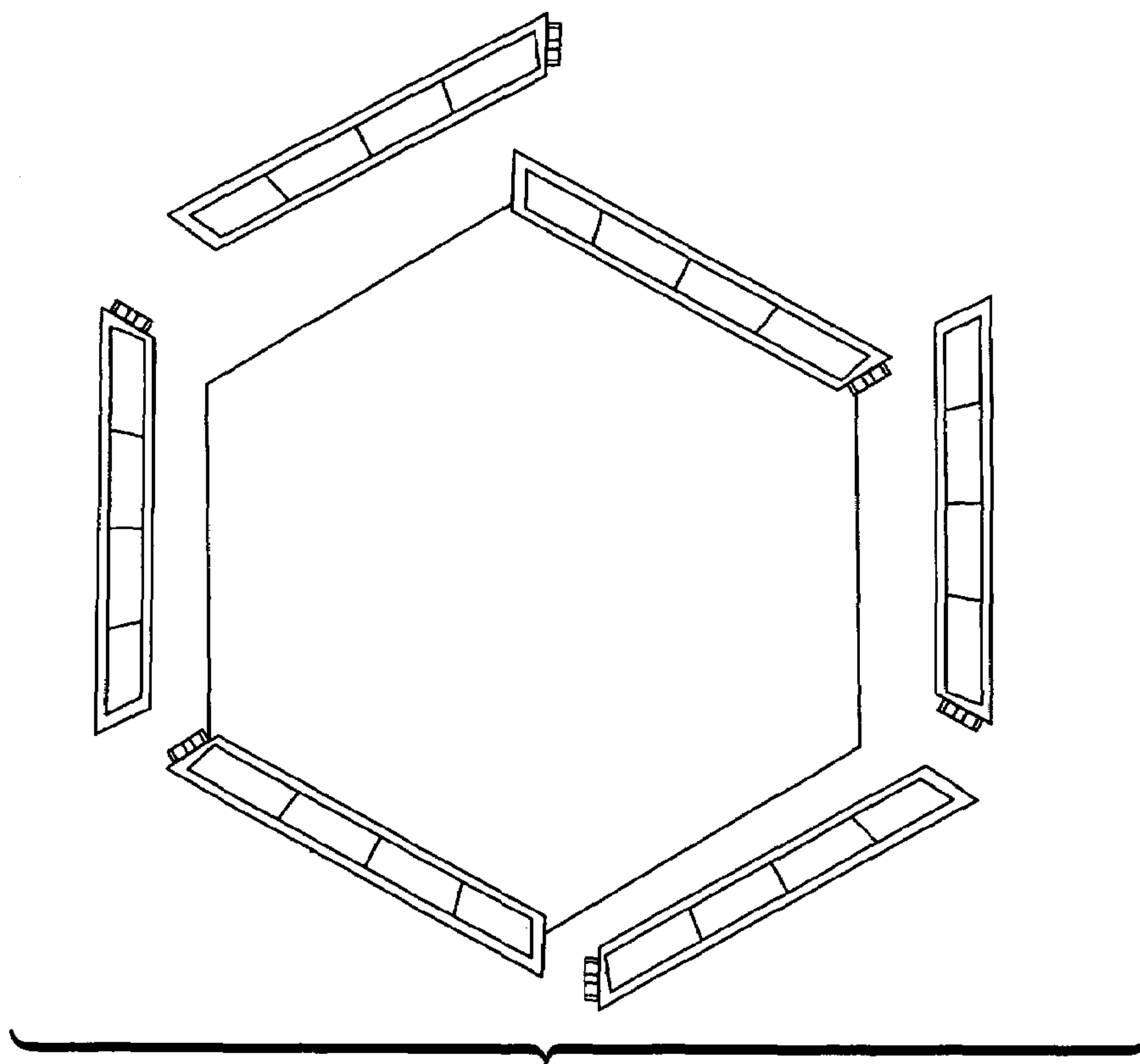


FIG. 38

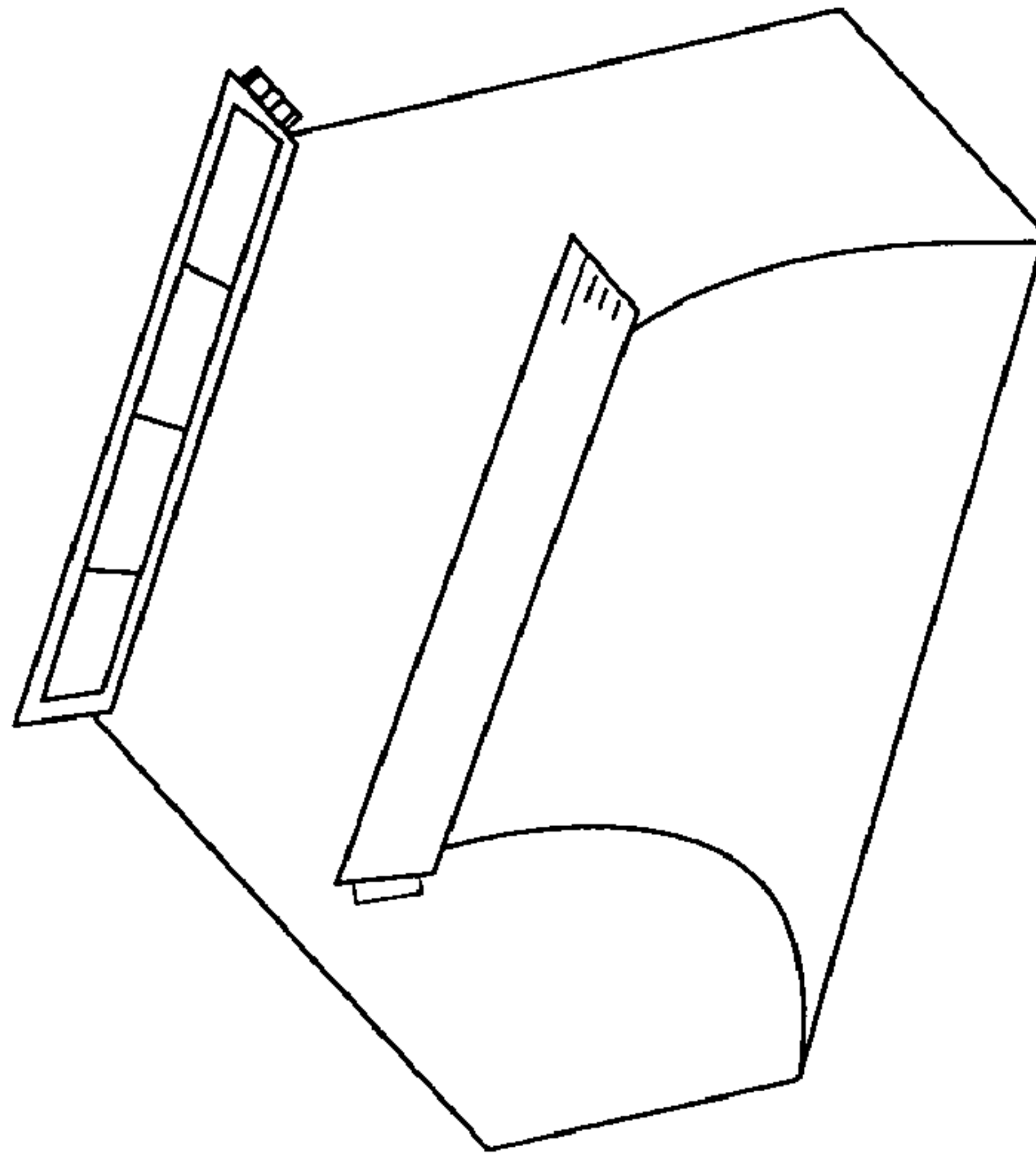


FIG. 39

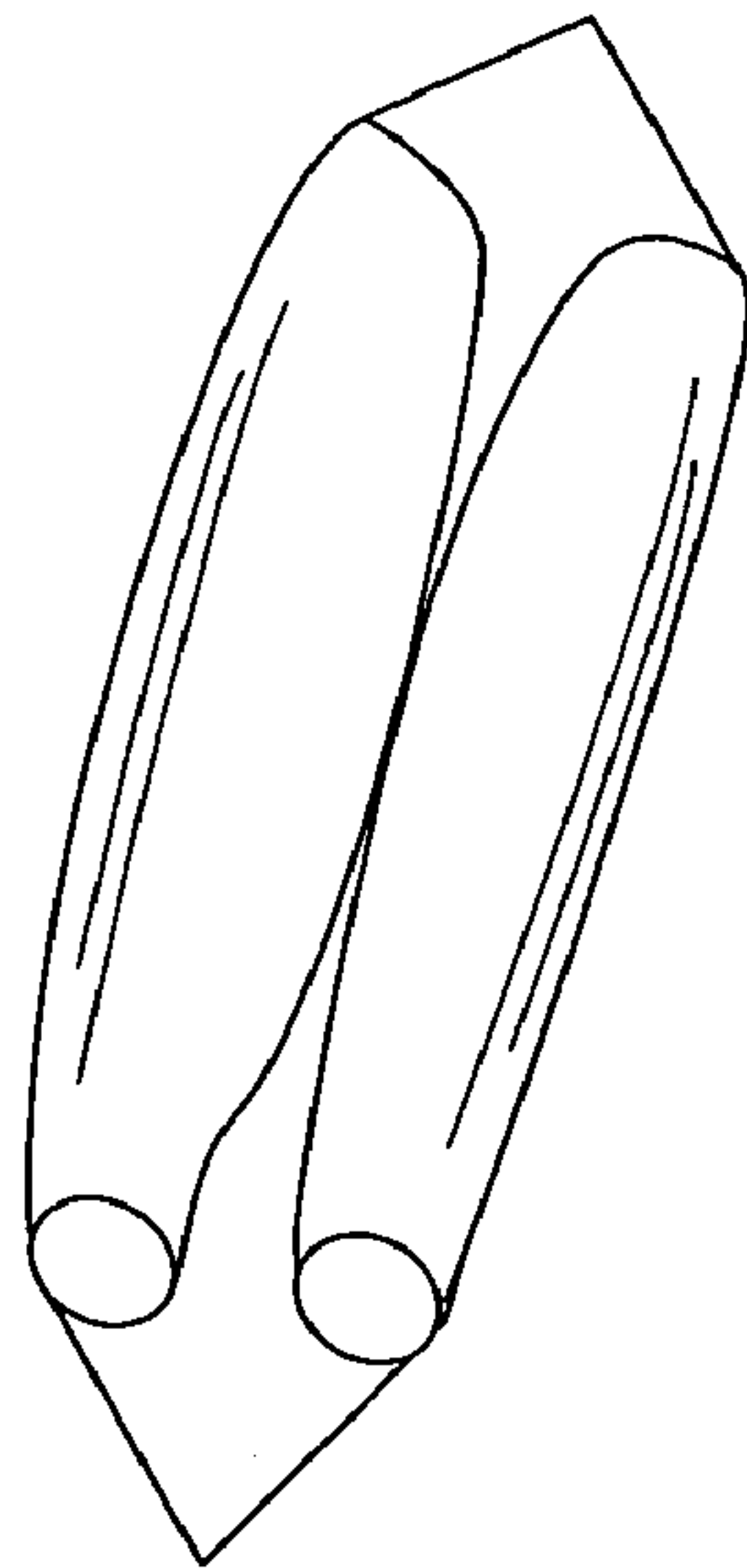


FIG. 40



FIG. 41



FIG. 42



FIG. 43



FIG. 44

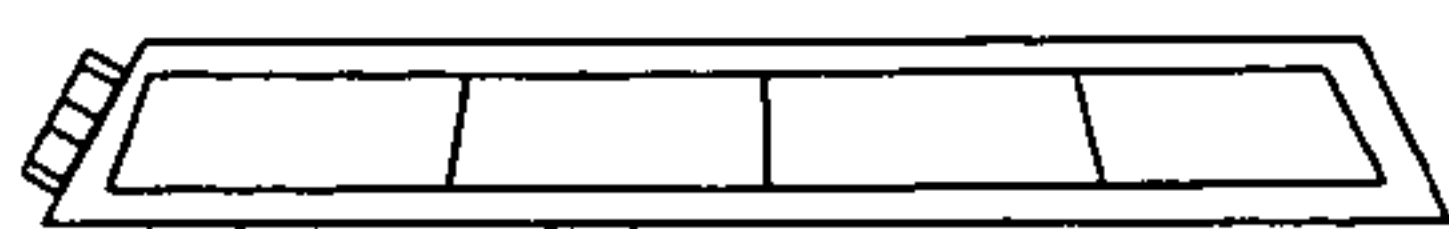


FIG. 45

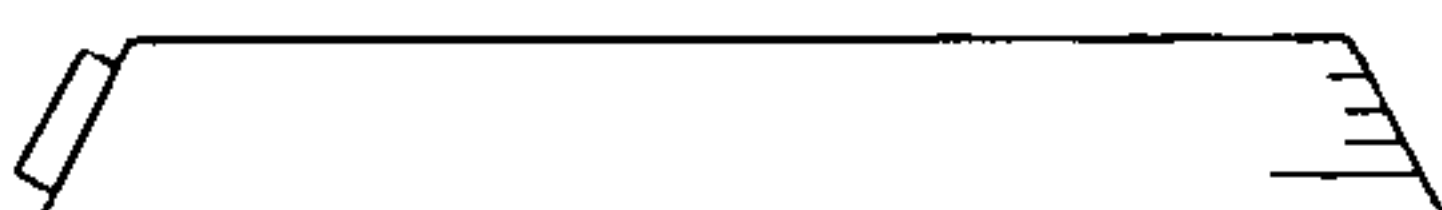


FIG. 46

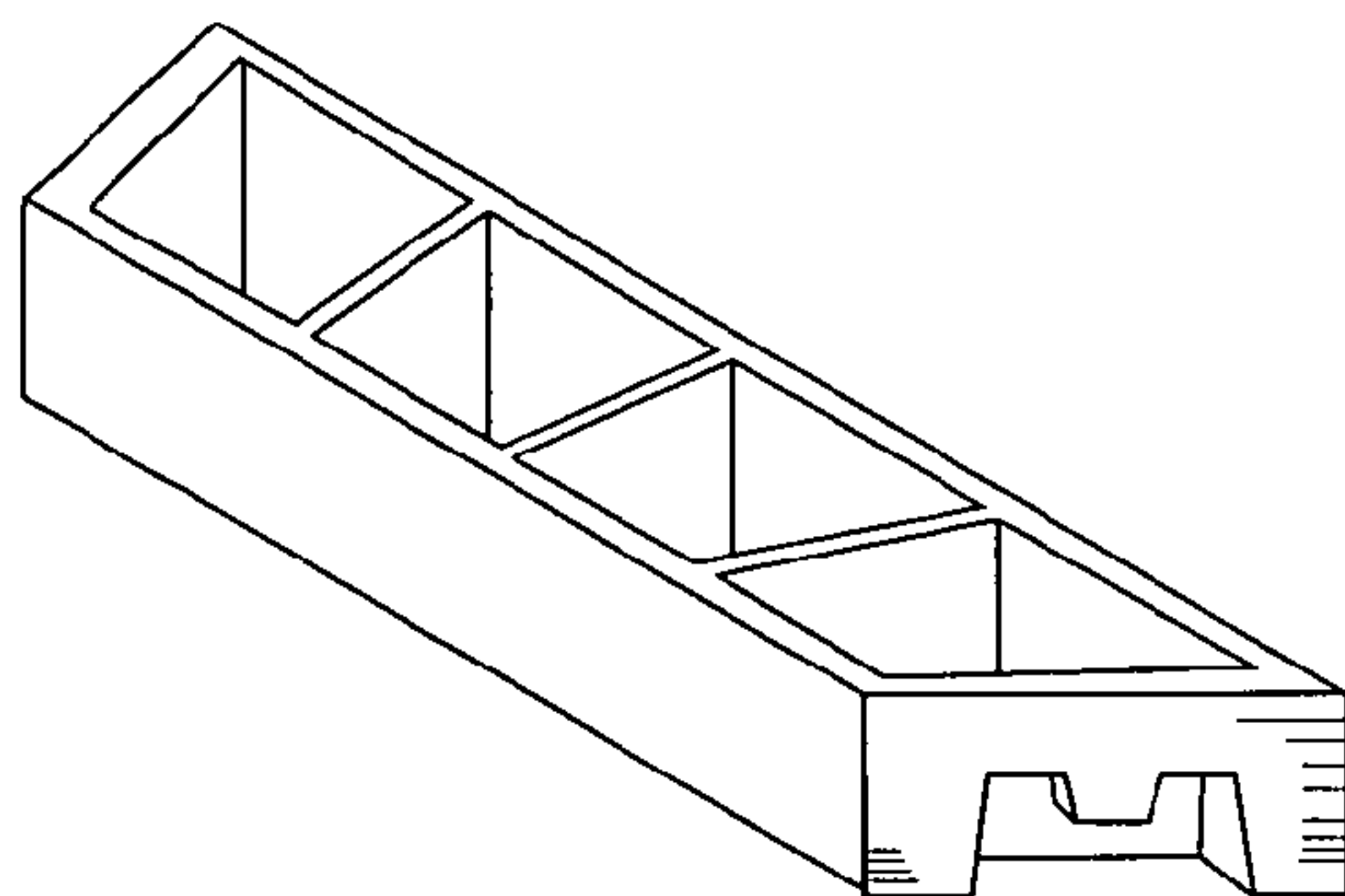


FIG. 47

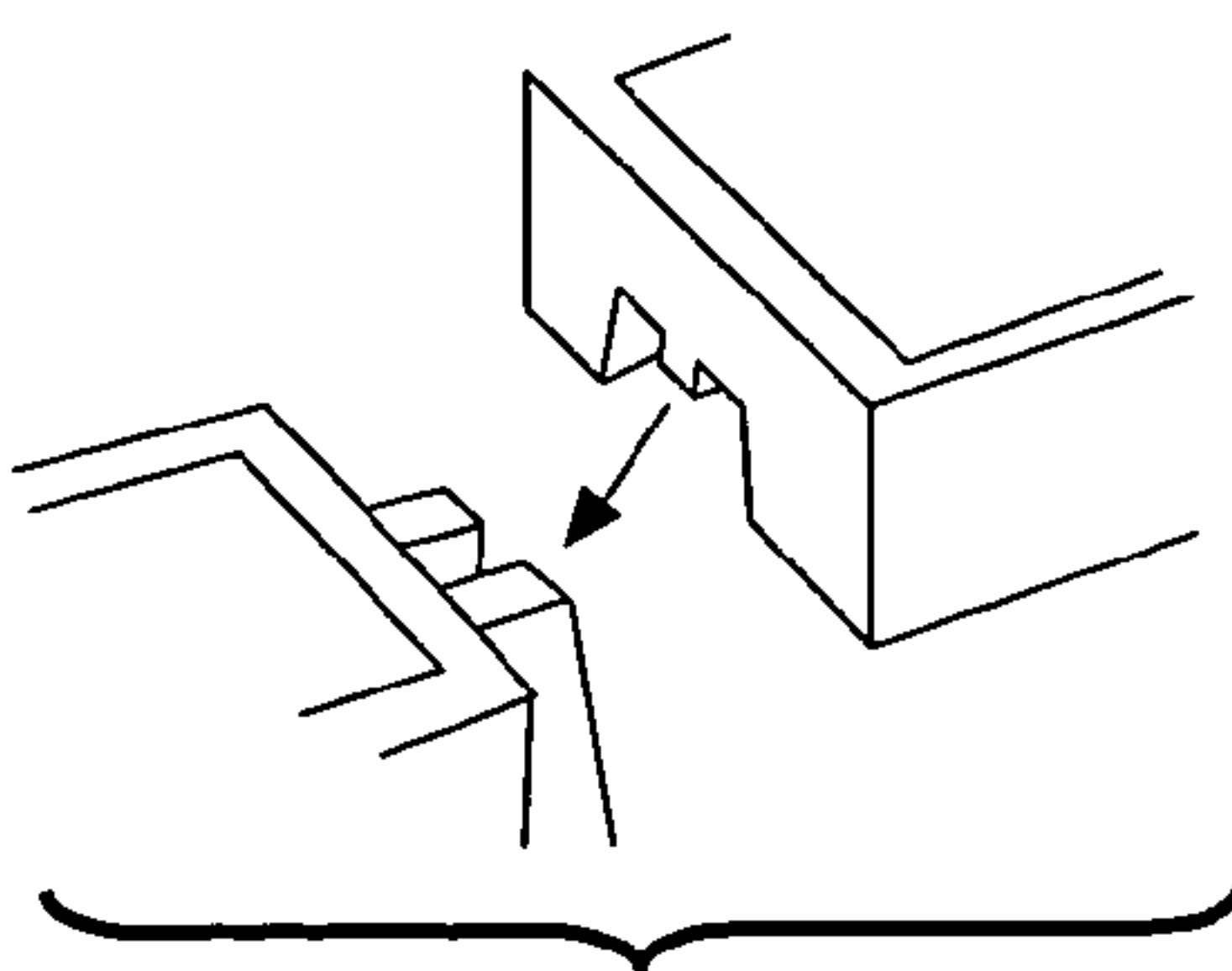


FIG. 48

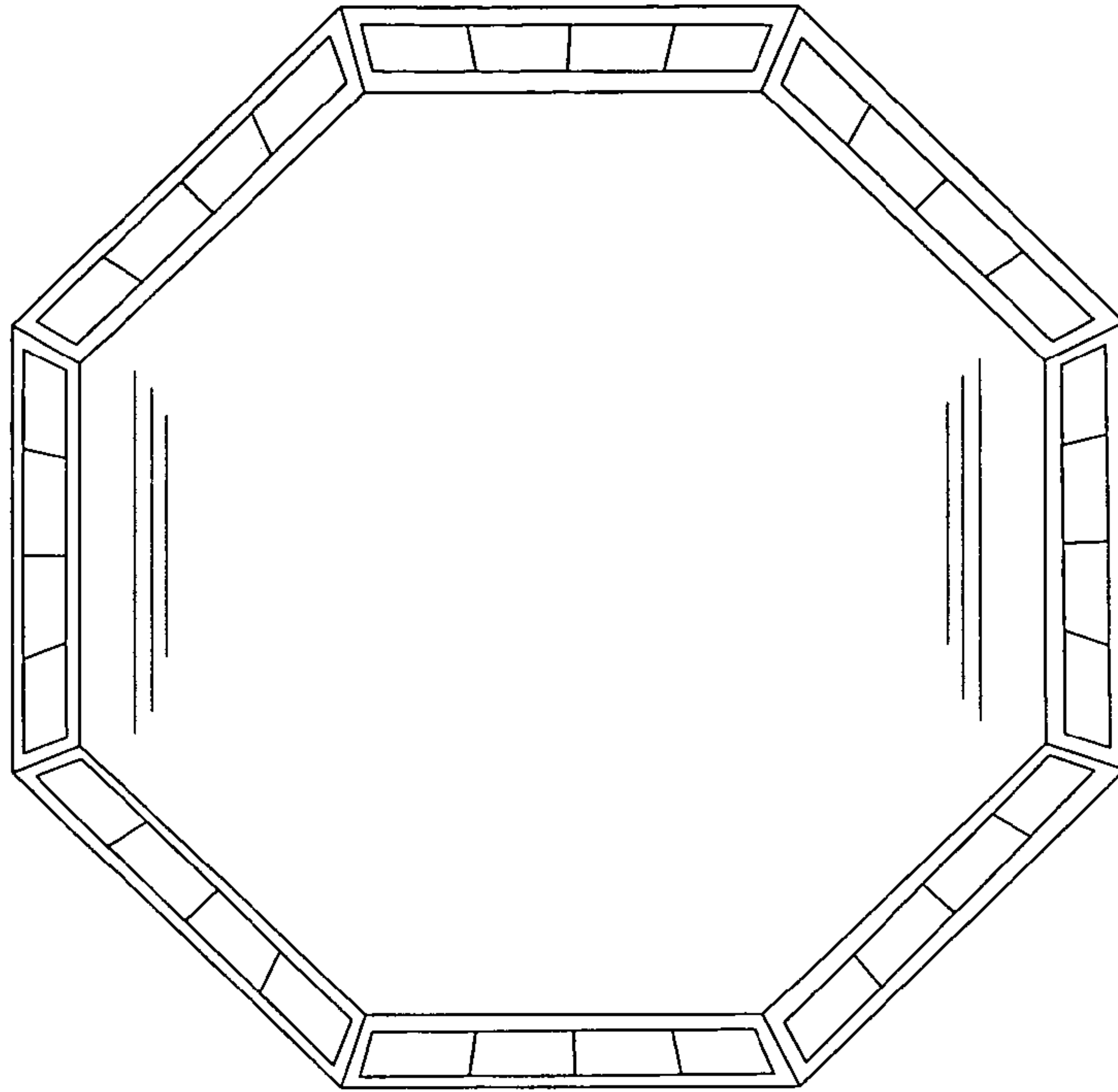


FIG. 49

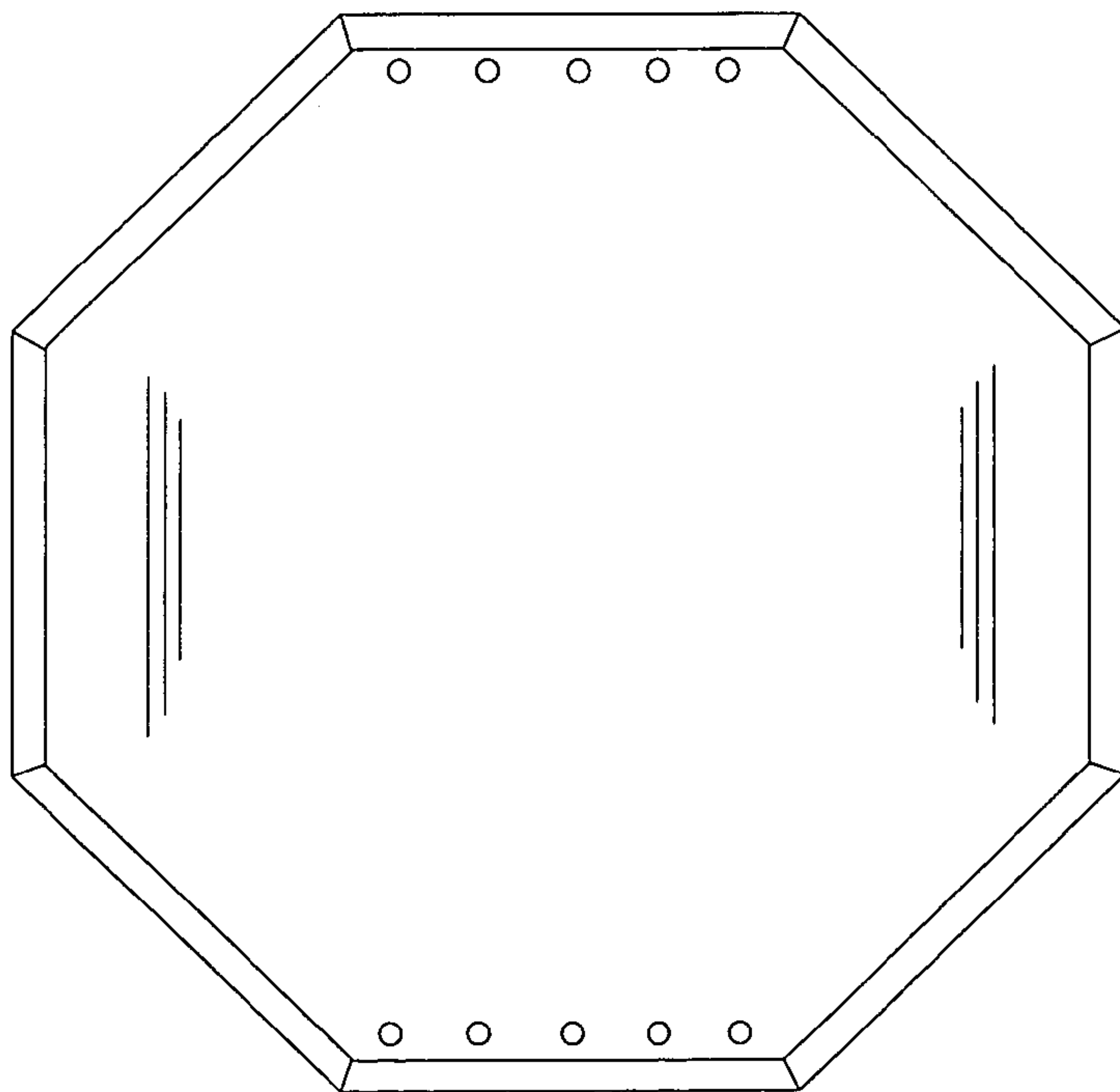


FIG. 50



FIG. 51

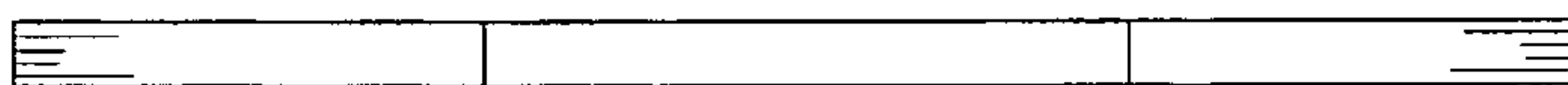


FIG. 52

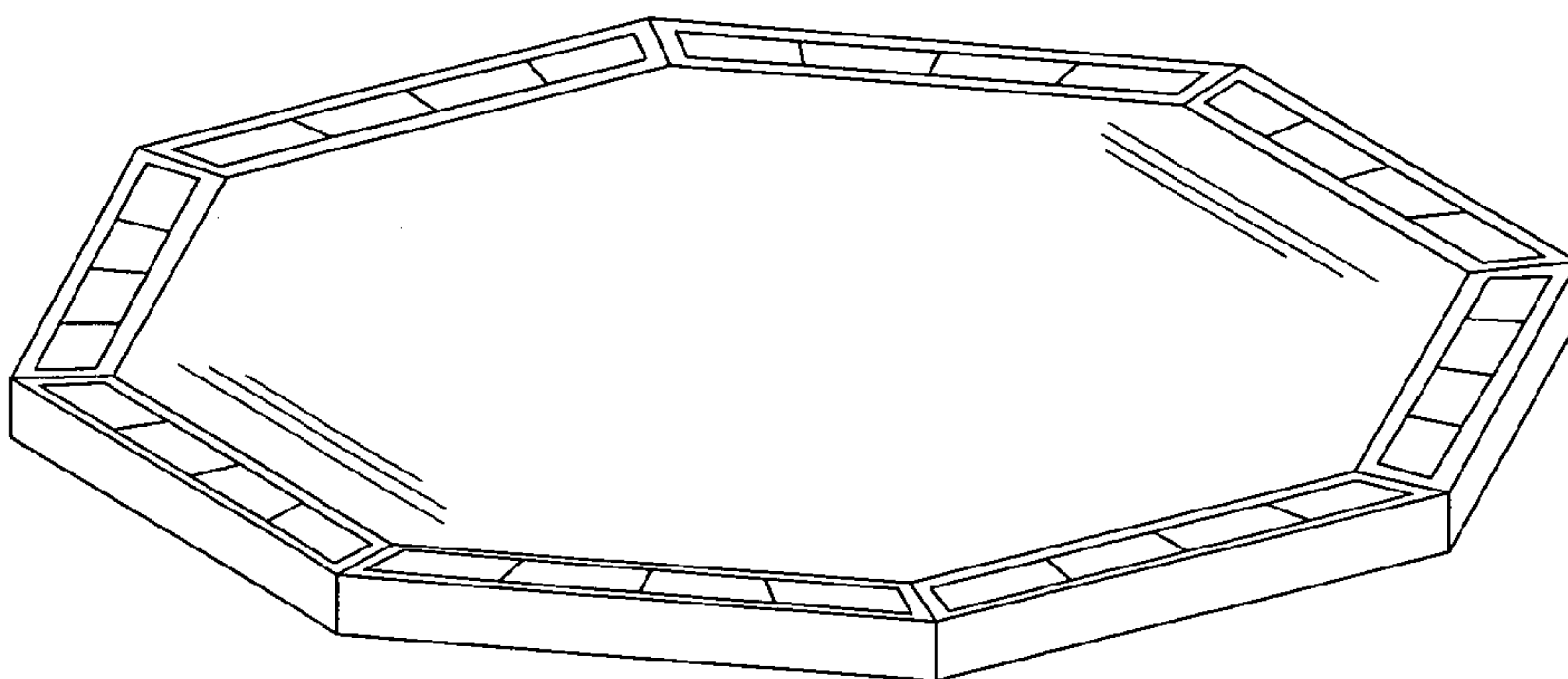


FIG. 53

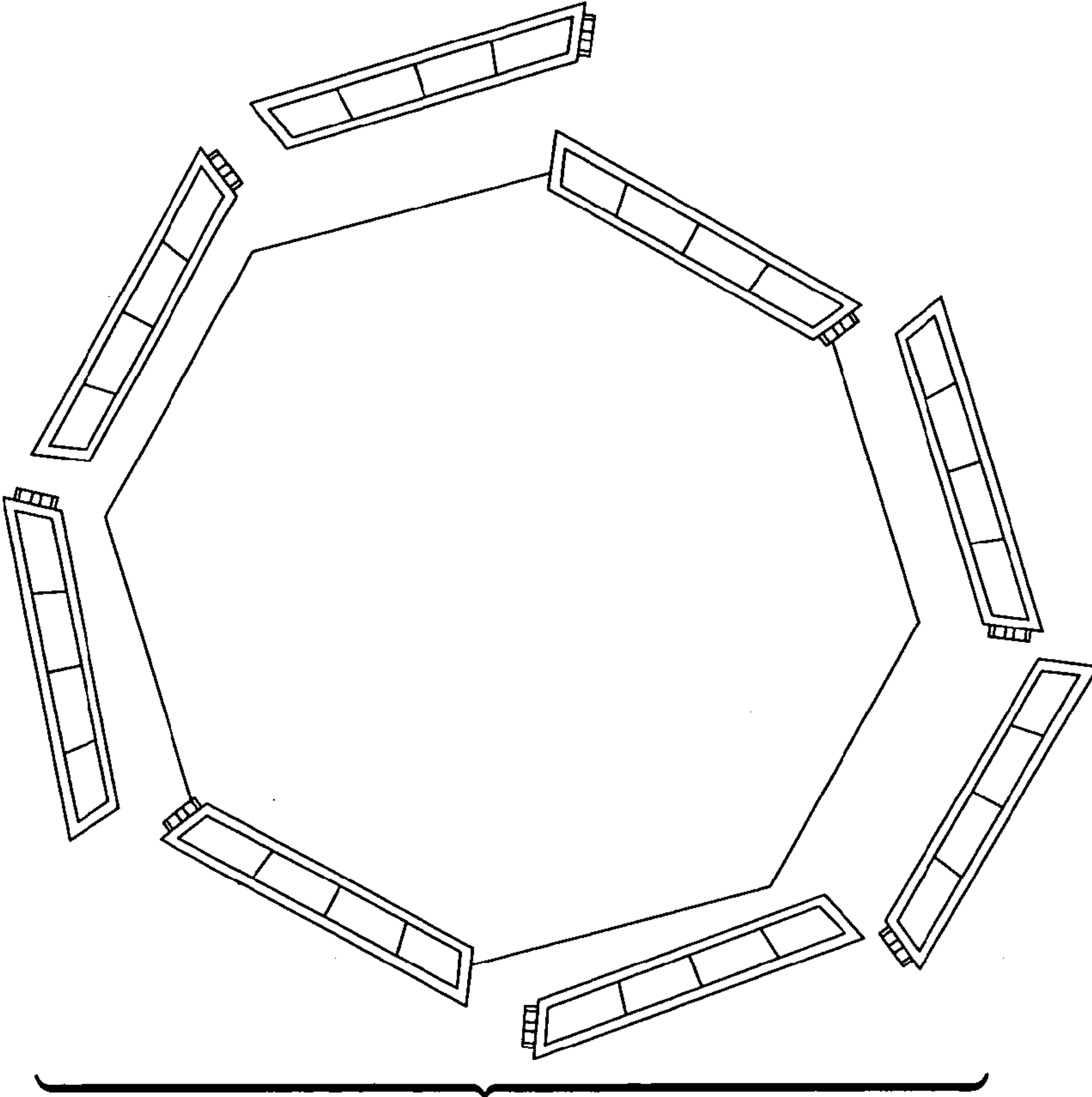


FIG. 54

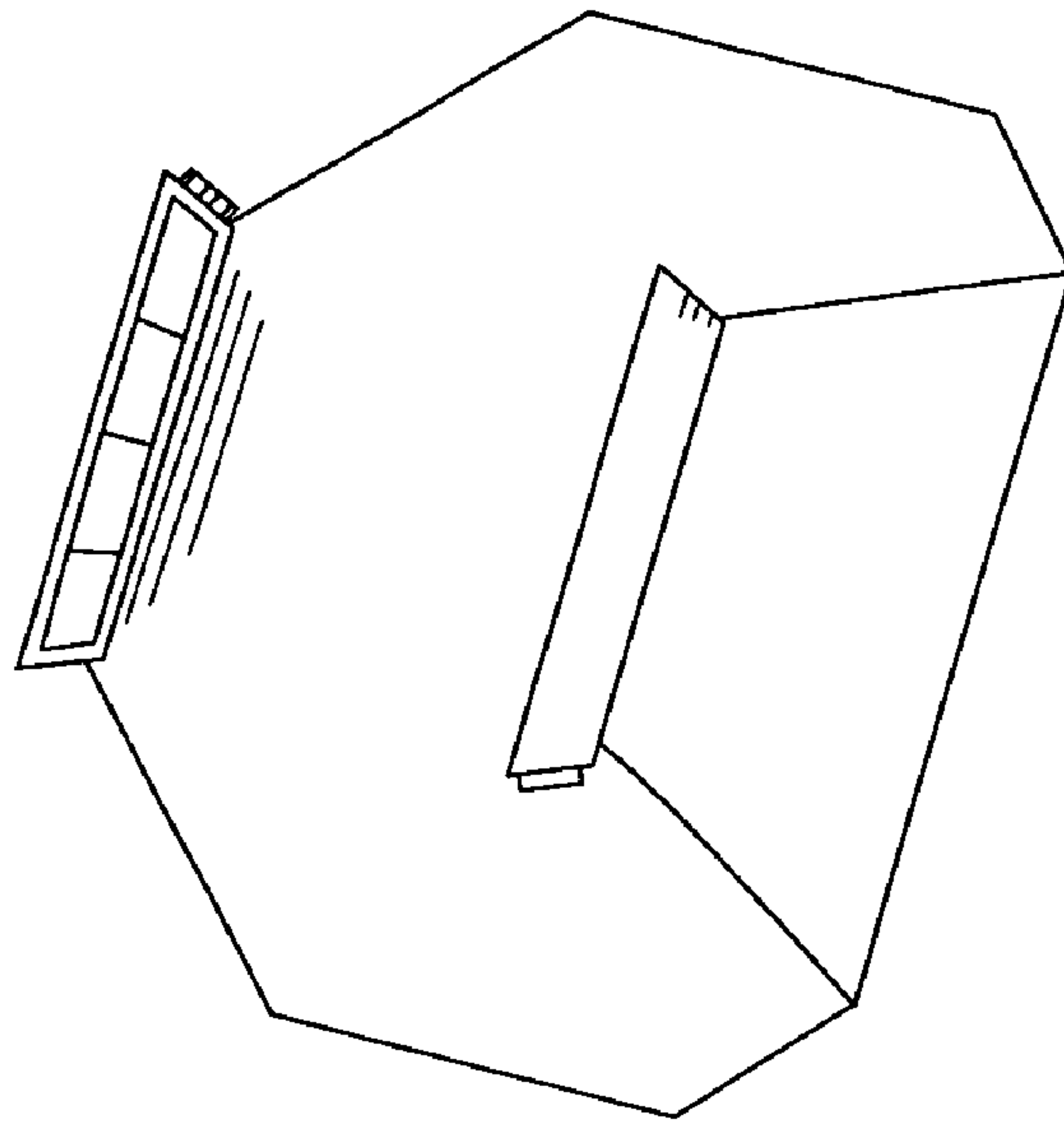


FIG. 55

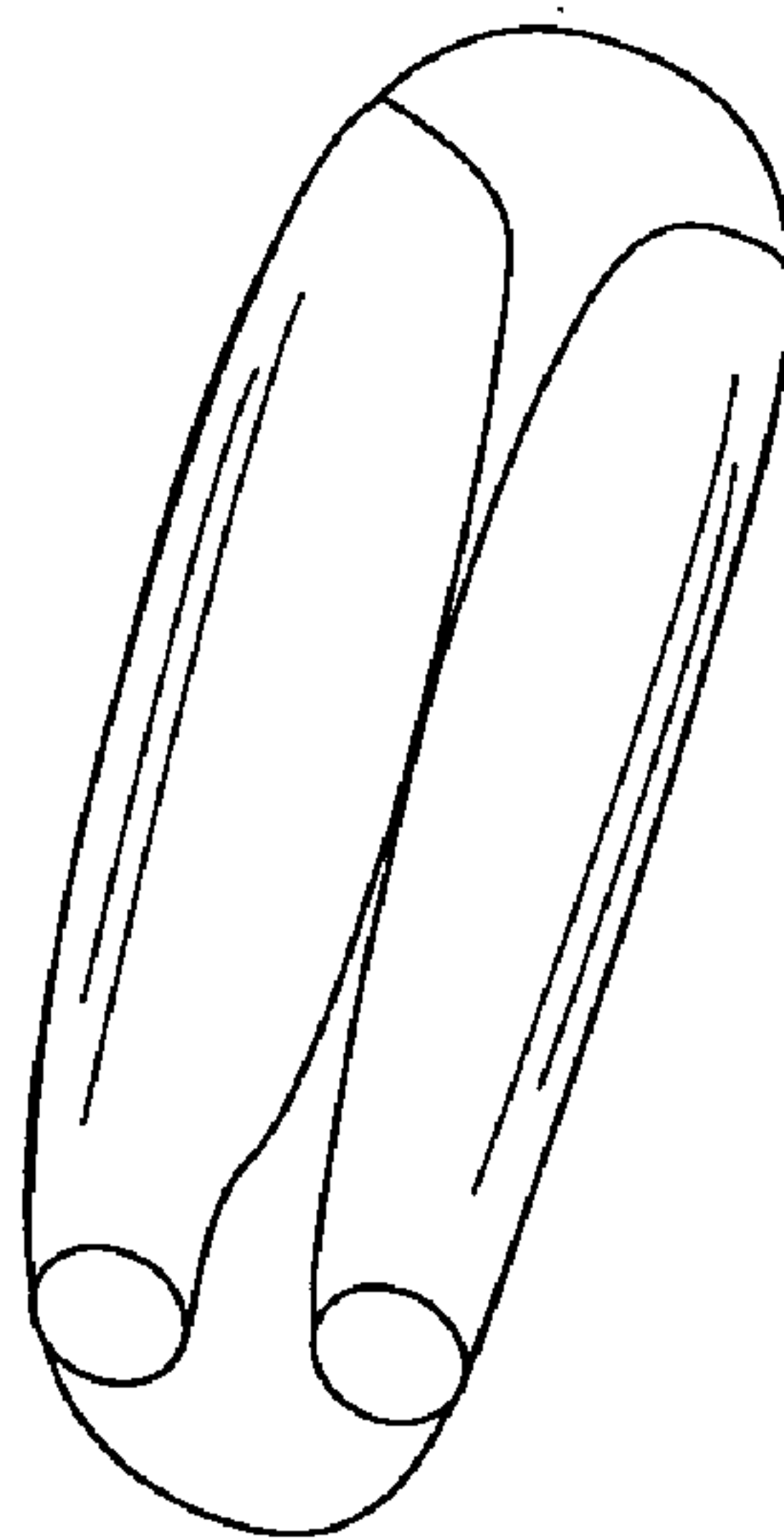


FIG. 56



FIG. 57

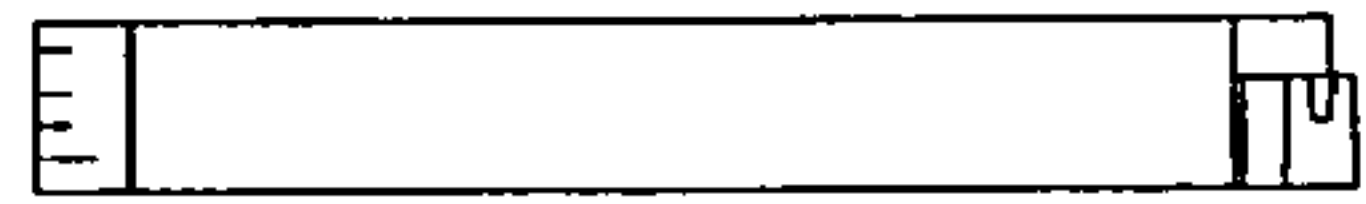


FIG. 58



FIG. 59

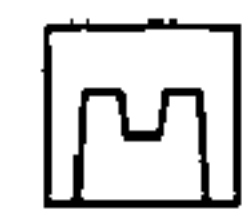


FIG. 60



FIG. 61



FIG. 62

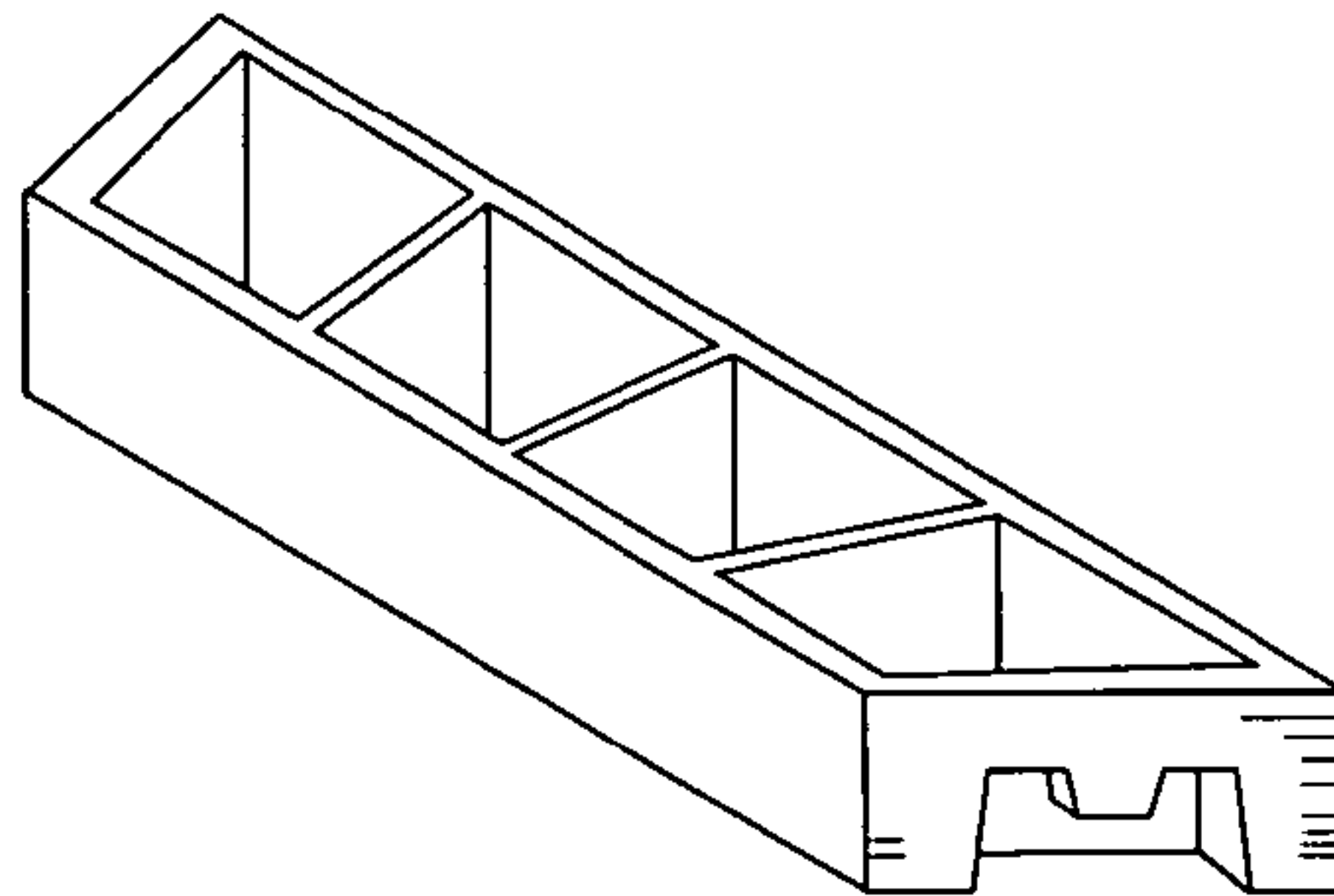


FIG. 63

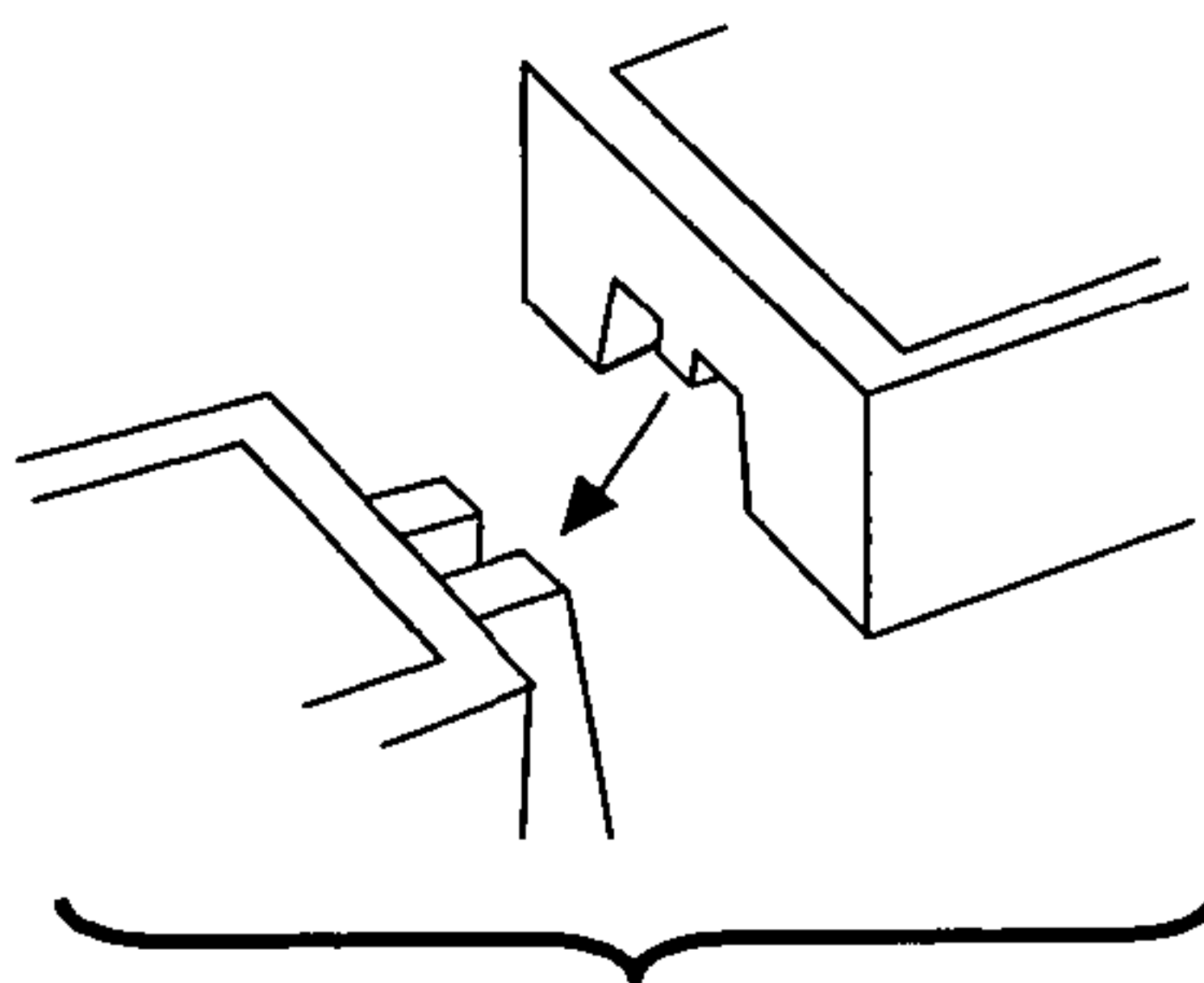


FIG. 64