



US00D579058S

(12) **United States Design Patent**
Glavis

(10) **Patent No.:** **US D579,058 S**

(45) **Date of Patent:** **** Oct. 21, 2008**

(54) **ORGANIZER FOR BOARD GAMES**

(76) Inventor: **Greta Glavis**, 12310 Rue Fountainbleau,
San Diego, CA (US) 92131

(**) Term: **14 Years**

(21) Appl. No.: **29/289,582**

(22) Filed: **Jul. 25, 2007**

(51) **LOC (8) Cl.** **21-01**

(52) **U.S. Cl.** **D21/392**

(58) **Field of Classification Search** D21/385-386,
D21/392-396; D19/90; 273/148 R, 150-151,
273/148 A

See application file for complete search history.

(56) **References Cited**

U.S. PATENT DOCUMENTS

- D253,615 S * 12/1979 Colwell D21/392
- D257,159 S * 9/1980 Hubbard et al. D21/392
- D263,484 S * 3/1982 Chen D21/392
- D274,826 S * 7/1984 Wood D21/392
- D286,306 S * 10/1986 Colomac, Jr. D21/392
- D294,960 S * 3/1988 Corbett D21/392

D381,373 S * 7/1997 Brown D21/392

* cited by examiner

Primary Examiner—Sandra Morris

(74) *Attorney, Agent, or Firm*—Richard D. Clarke

(57) **CLAIM**

I claim the ornamental design for an organizer for board games, as shown and described.

DESCRIPTION

FIG. 1 is a perspective view of the organizer for board games;

FIG. 2 is a left side elevational view of the organizer for board games;

FIG. 3 is a top plan view of the organizer for board games;

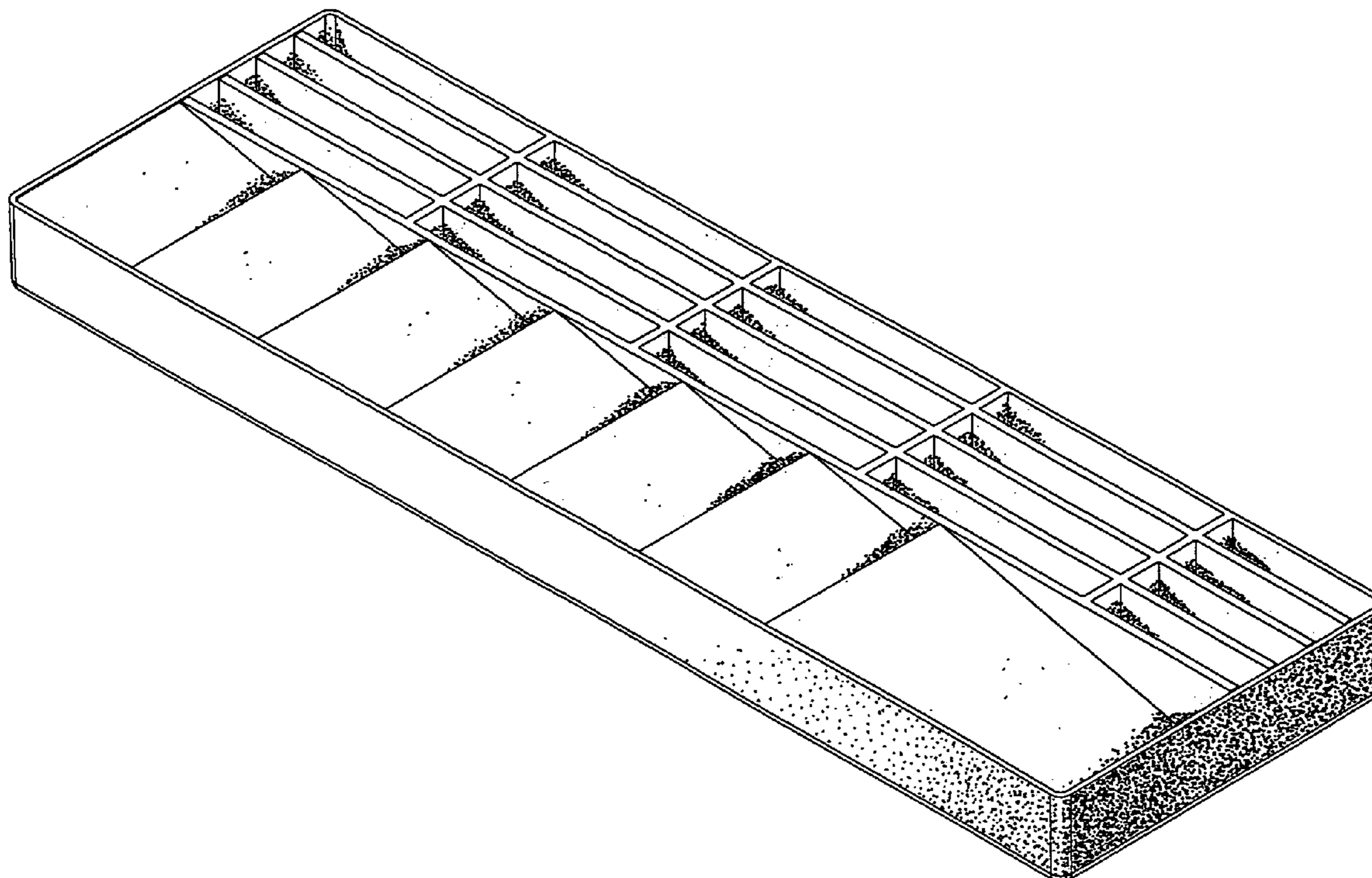
FIG. 4 is a right side elevational view of the organizer for board games;

FIG. 5 is a front elevational view of the organizer for board games;

FIG. 6 is a bottom plan view of the organizer for board games; and,

FIG. 7 is a rear elevational view of the organizer for board games.

1 Claim, 3 Drawing Sheets



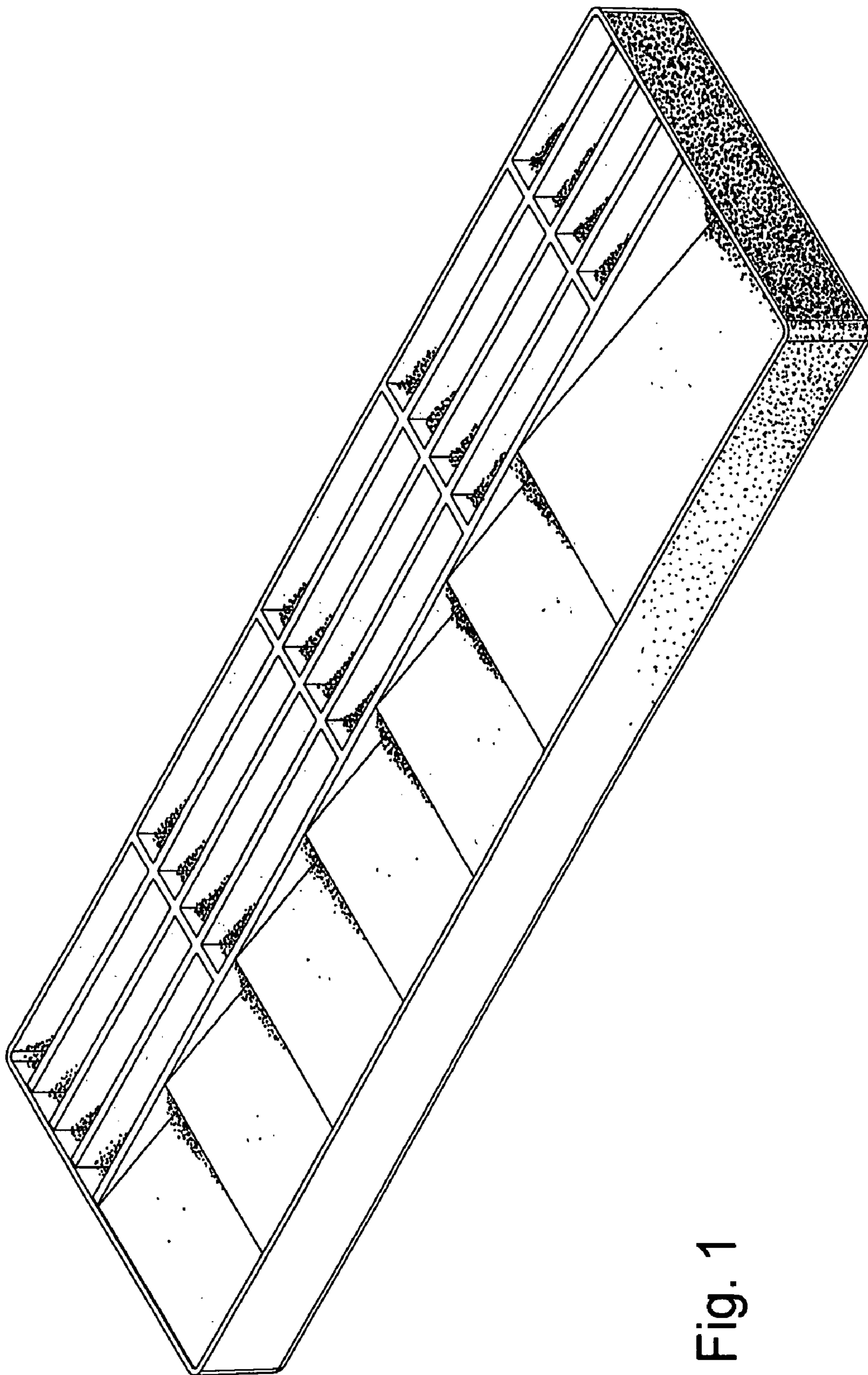


Fig. 1



Fig. 4

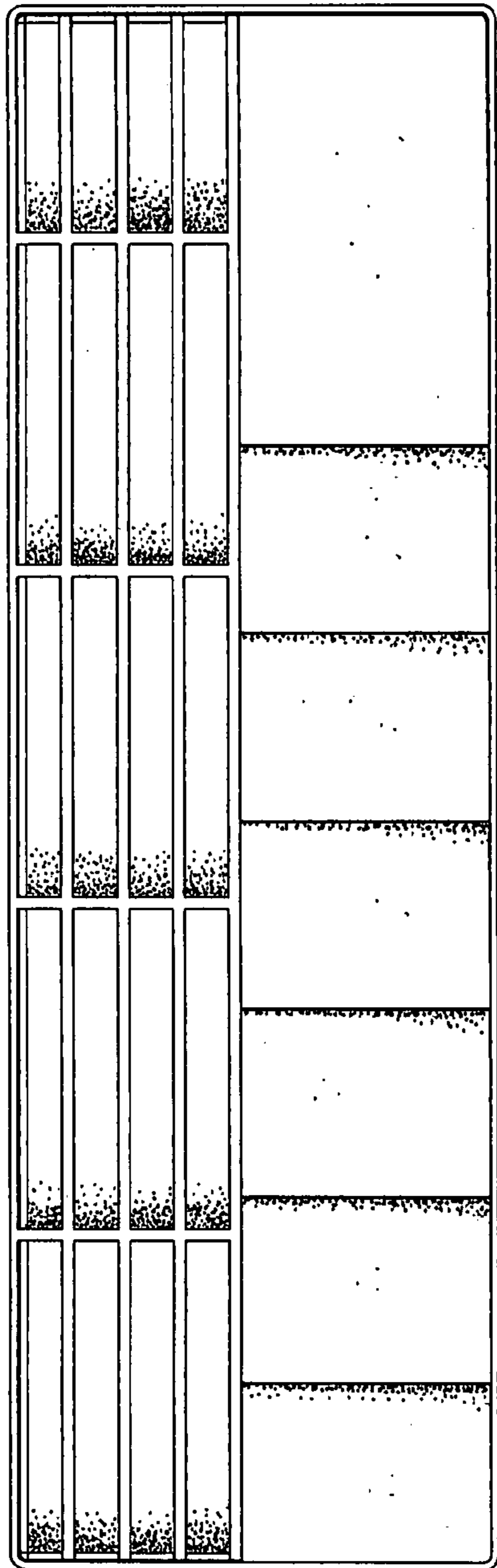


Fig. 3

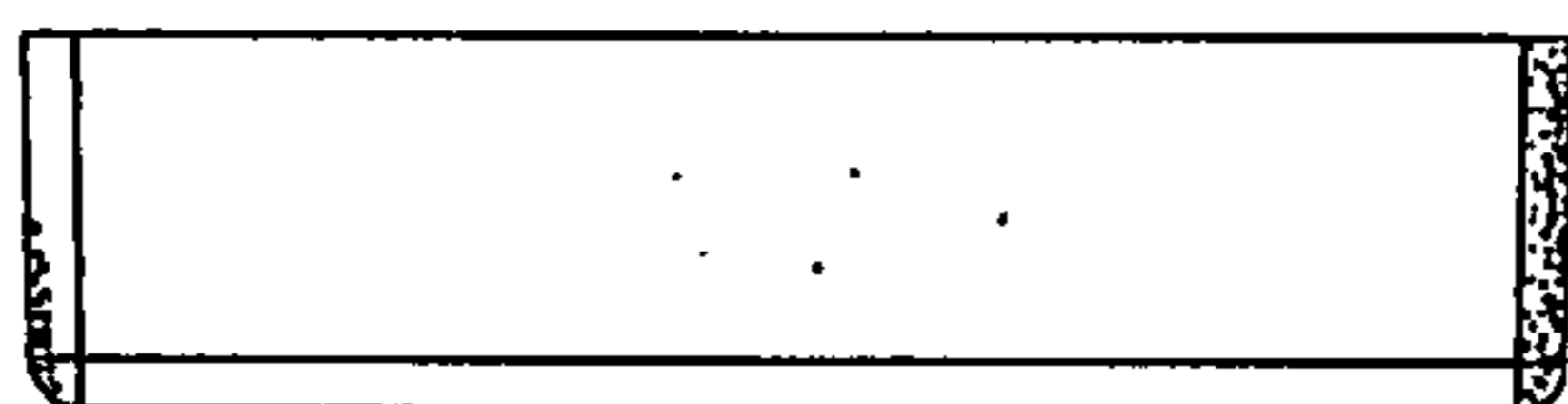


Fig. 2

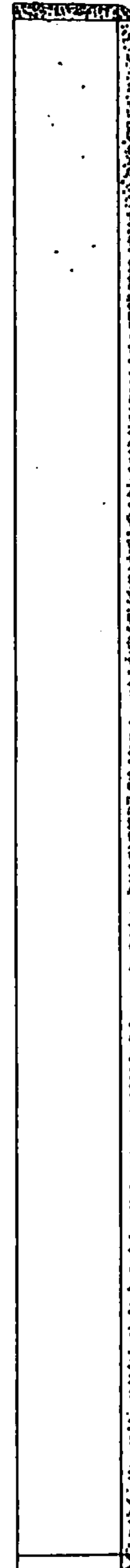


Fig. 5

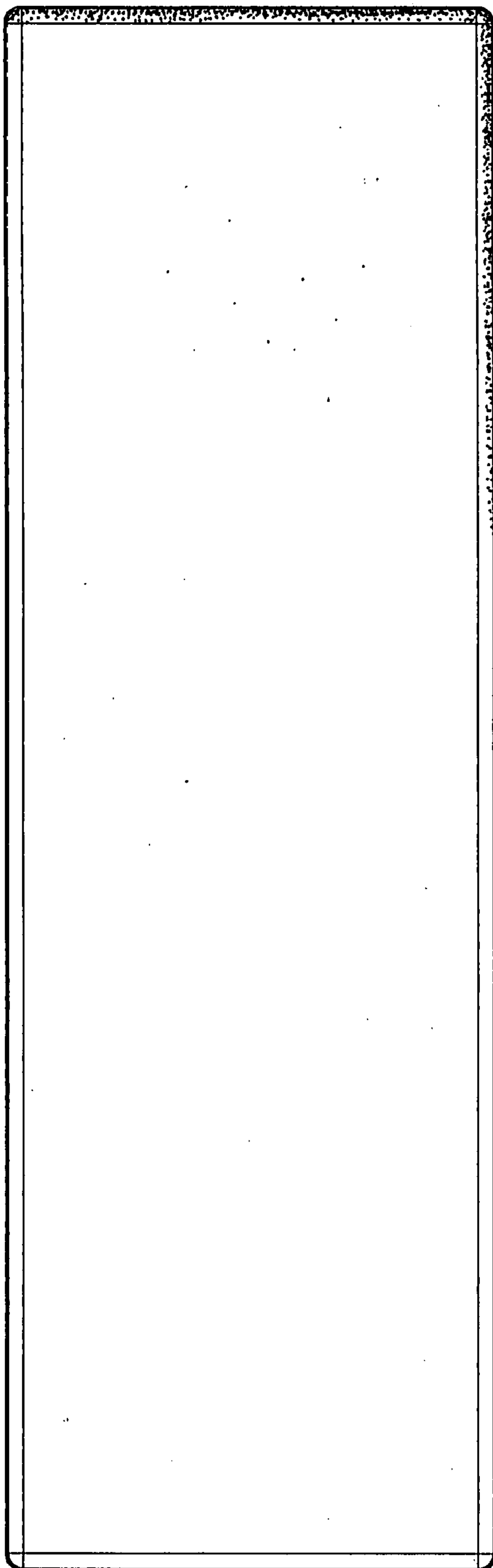


Fig. 6

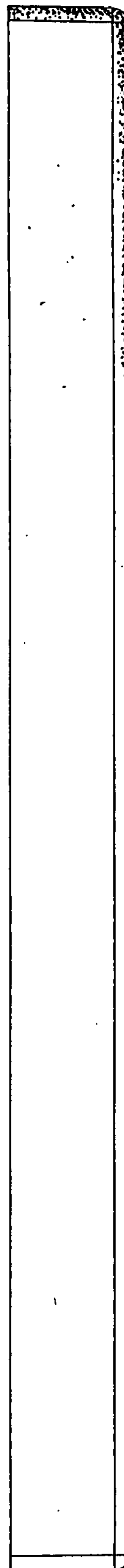


Fig. 7