



US00D579055S

(12) **United States Design Patent**
Popadiuk, Jr. et al.

(10) **Patent No.:** **US D579,055 S**
(45) **Date of Patent:** **** Oct. 21, 2008**

(54) **PINBALL MACHINE**

(75) Inventors: **John Popadiuk, Jr.**, Bartlett, IL (US);
Roger A. Shiffman, Highland Park, IL
(US); **Marc Rosenberg**, Deerfield, IL
(US); **Chris Nicolella**, Elk Grove
Village, IL (US)

(73) Assignee: **Zizzle LLC**, Bannockburn, IL (US)

(**) Term: **14 Years**

(21) Appl. No.: **29/249,292**

(22) Filed: **Sep. 29, 2006**

(51) **LOC (8) Cl.** **21-01**

(52) **U.S. Cl.** **D21/323**

(58) **Field of Classification Search** 273/108,
273/108.1, 118 R, 121 R, 121 A, 122 R, 122 A,
273/124 R, 125 R, 125 A, 287; D21/312,
D21/314, 321, 322, 323, 334, 324, 369
See application file for complete search history.

(56) **References Cited**

U.S. PATENT DOCUMENTS

D86,942 S *	5/1932	Toce	D21/323
D95,990 S *	6/1935	Schu	D21/323
D100,717 S *	8/1936	Schu	D21/323
D121,779 S *	8/1940	Wilsey	D21/322
2,791,428 A *	5/1957	McDonald	273/110
3,476,381 A *	11/1969	Carlson	271/117
D260,409 S *	8/1981	Tanaka et al.	D21/323
D337,790 S *	7/1993	Gottlieb et al.	D21/323

5,465,963 A *	11/1995	Patla, Sr.	273/118 R
5,465,965 A *	11/1995	Wurz	273/121 A
5,833,235 A *	11/1998	Lesley et al.	273/119 R
5,938,195 A *	8/1999	Anghelo et al.	273/127 D

* cited by examiner

Primary Examiner—Prabhakar Deshmukh

(74) *Attorney, Agent, or Firm*—Harness, Dickey & Pierce,
P.L.C.

(57) **CLAIM**

The ornamental design for a pinball machine, as shown and described.

DESCRIPTION

FIG. 1 is a perspective view of a pinball machine showing our new design;

FIG. 2 is a right side elevational view thereof, the left side elevational view being a mirror image thereof;

FIG. 3 is a front elevational view thereof;

FIG. 4 is a top plan view thereof;

FIG. 5 is a perspective view of a second embodiment of the pinball machine, showing the support structure;

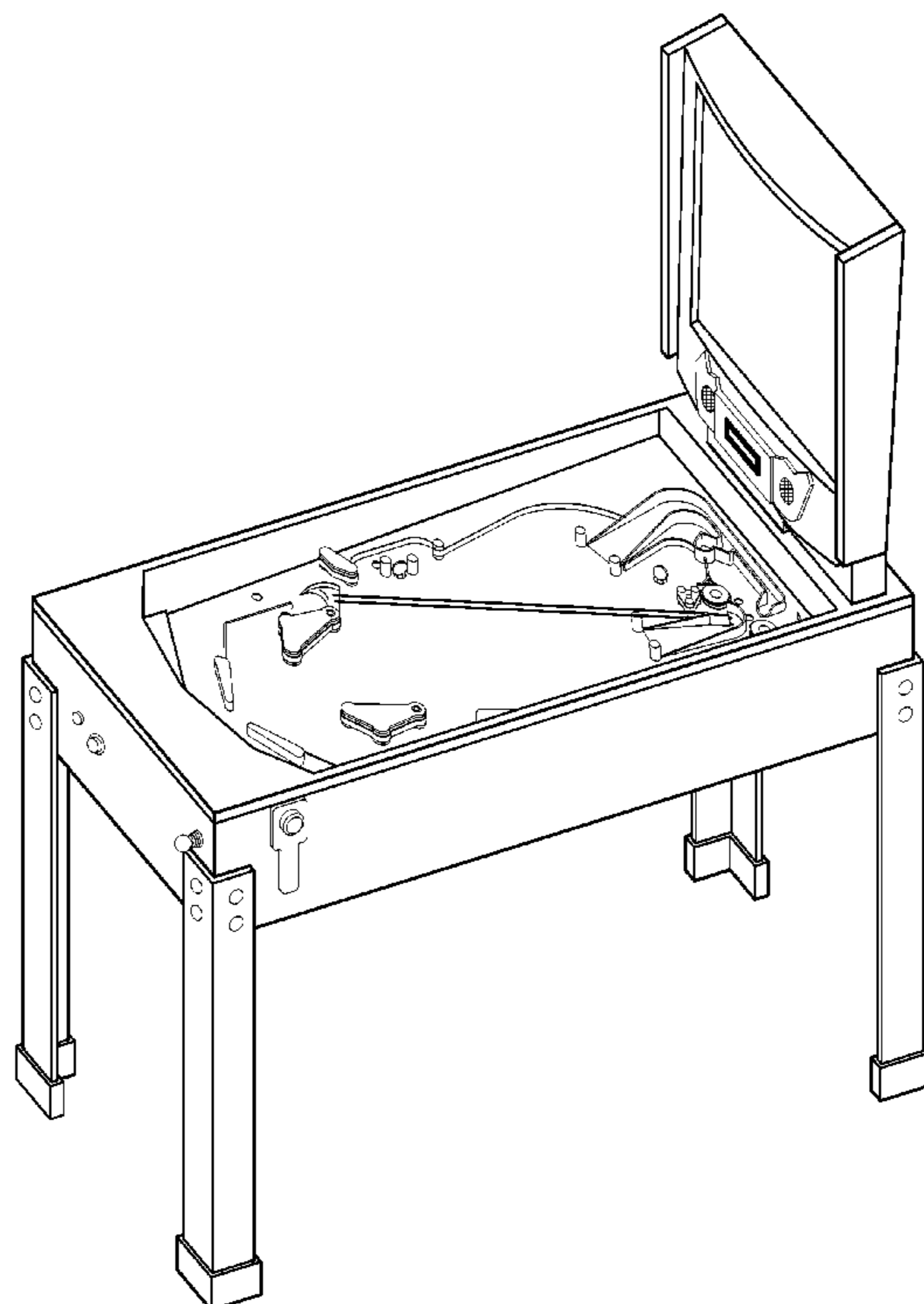
FIG. 6 is a right side elevational view of FIG. 5, the left side elevational view being a mirror image thereof;

FIG. 7 is a front elevational view of FIG. 5; and,

FIG. 8 is a top plan view of FIG. 5.

The broken lines showing of environmental is for illustrative purpose only and form no part of the claimed design.

1 Claim, 8 Drawing Sheets



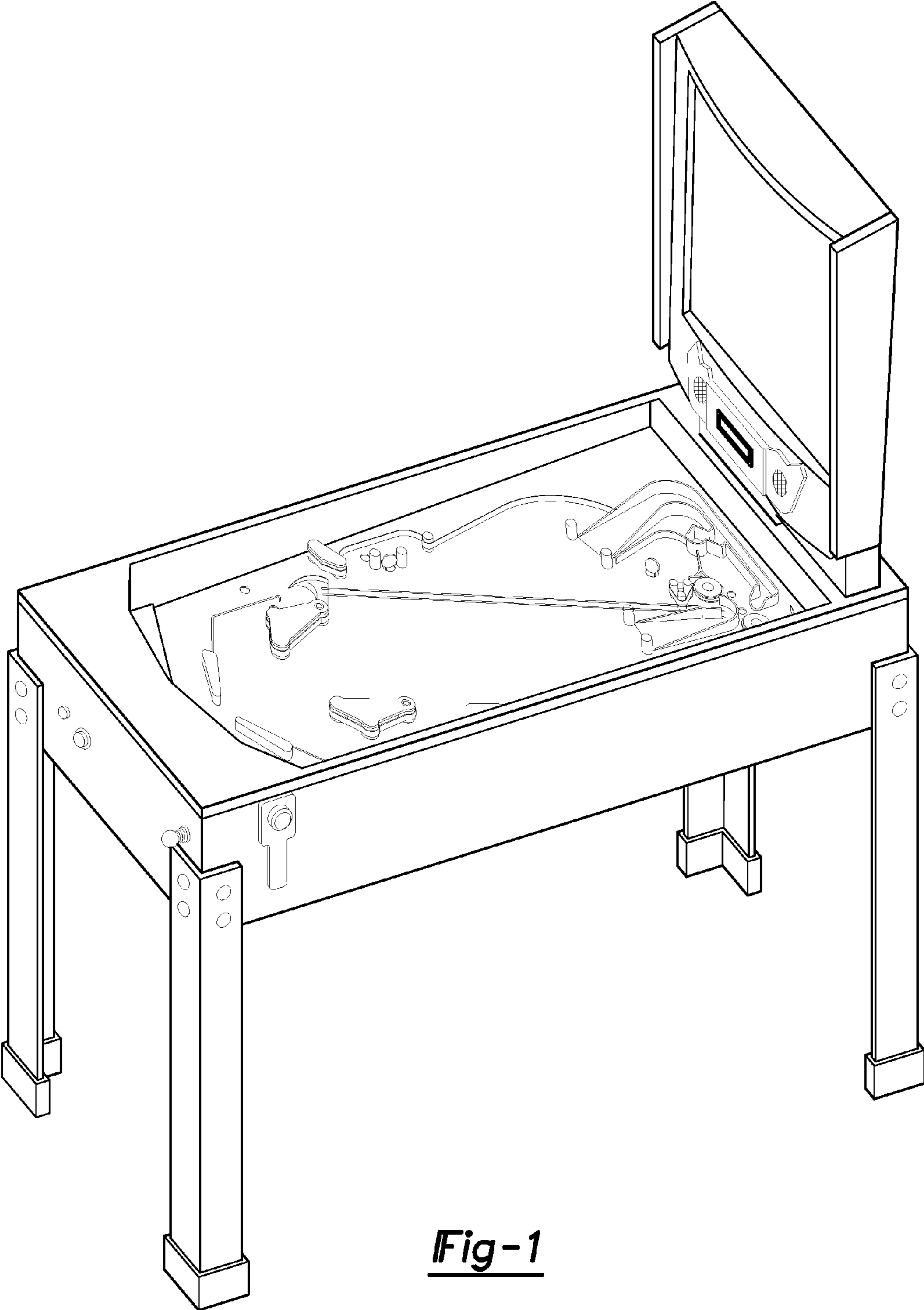


Fig-1

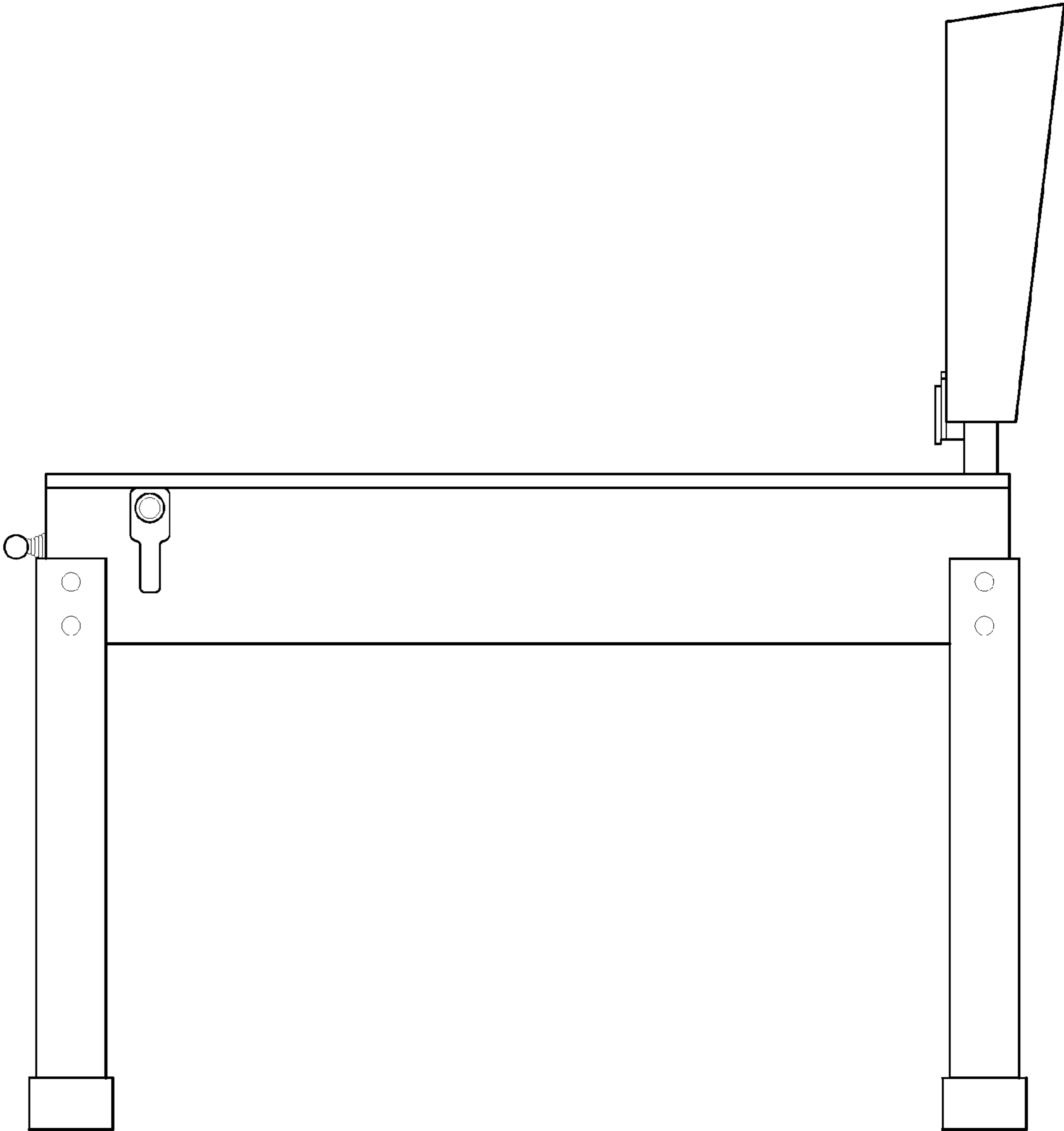


Fig-2

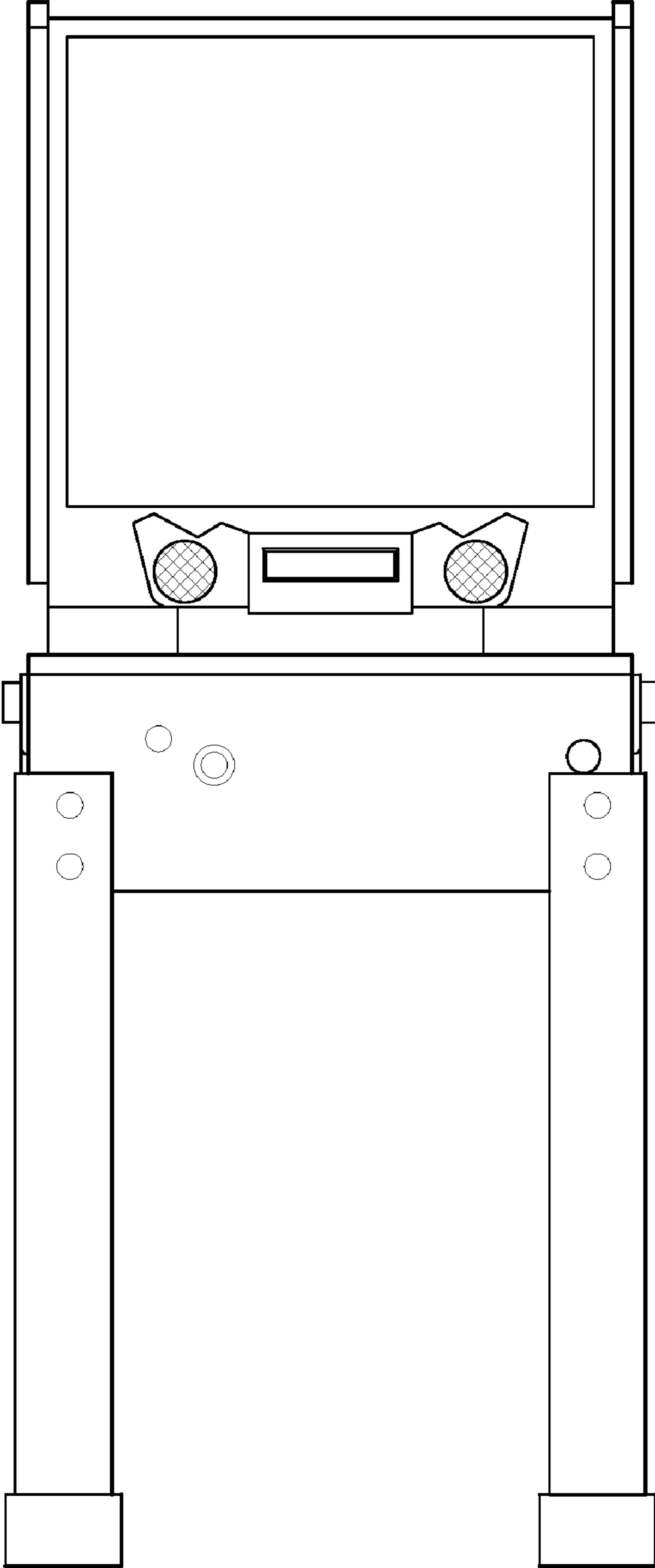


Fig-3

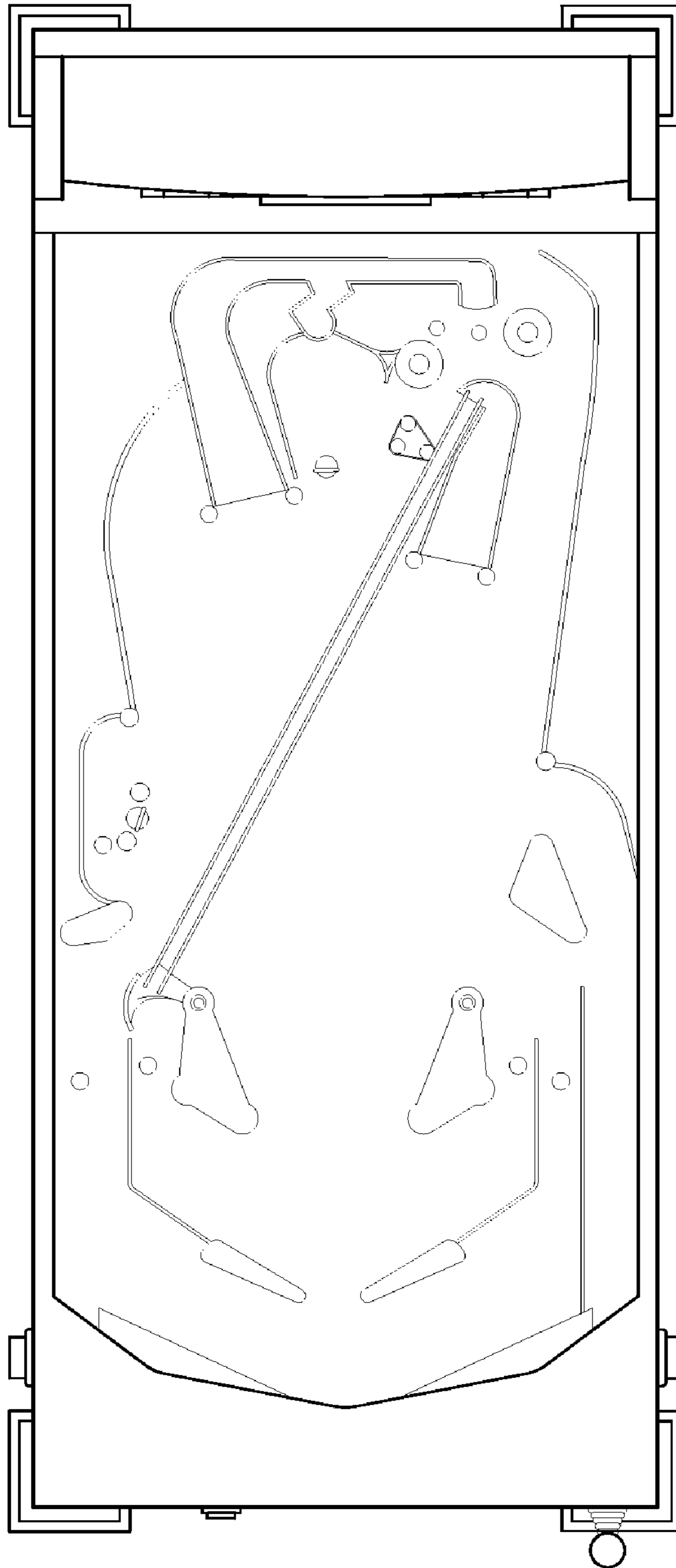


Fig-4

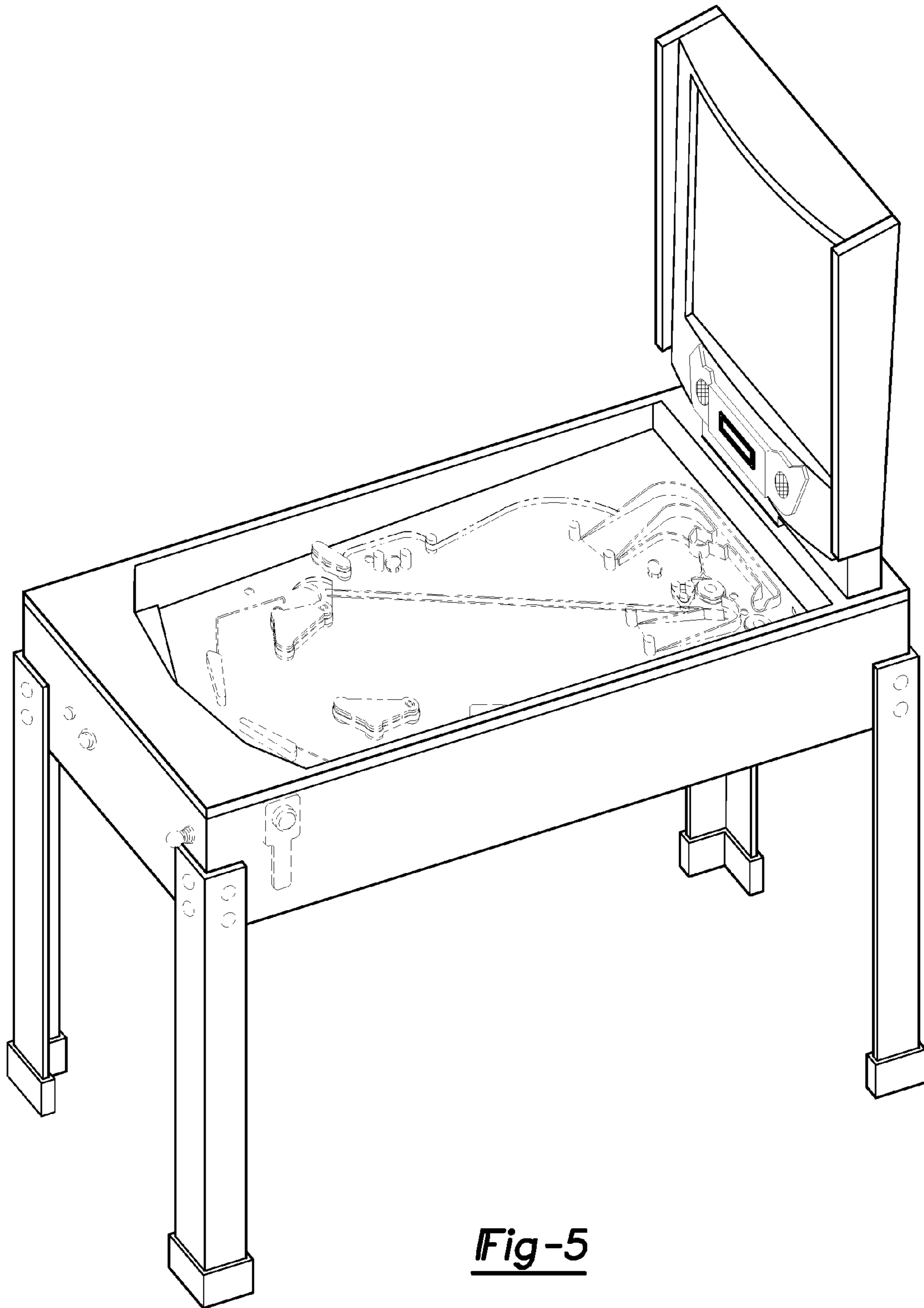


Fig-5

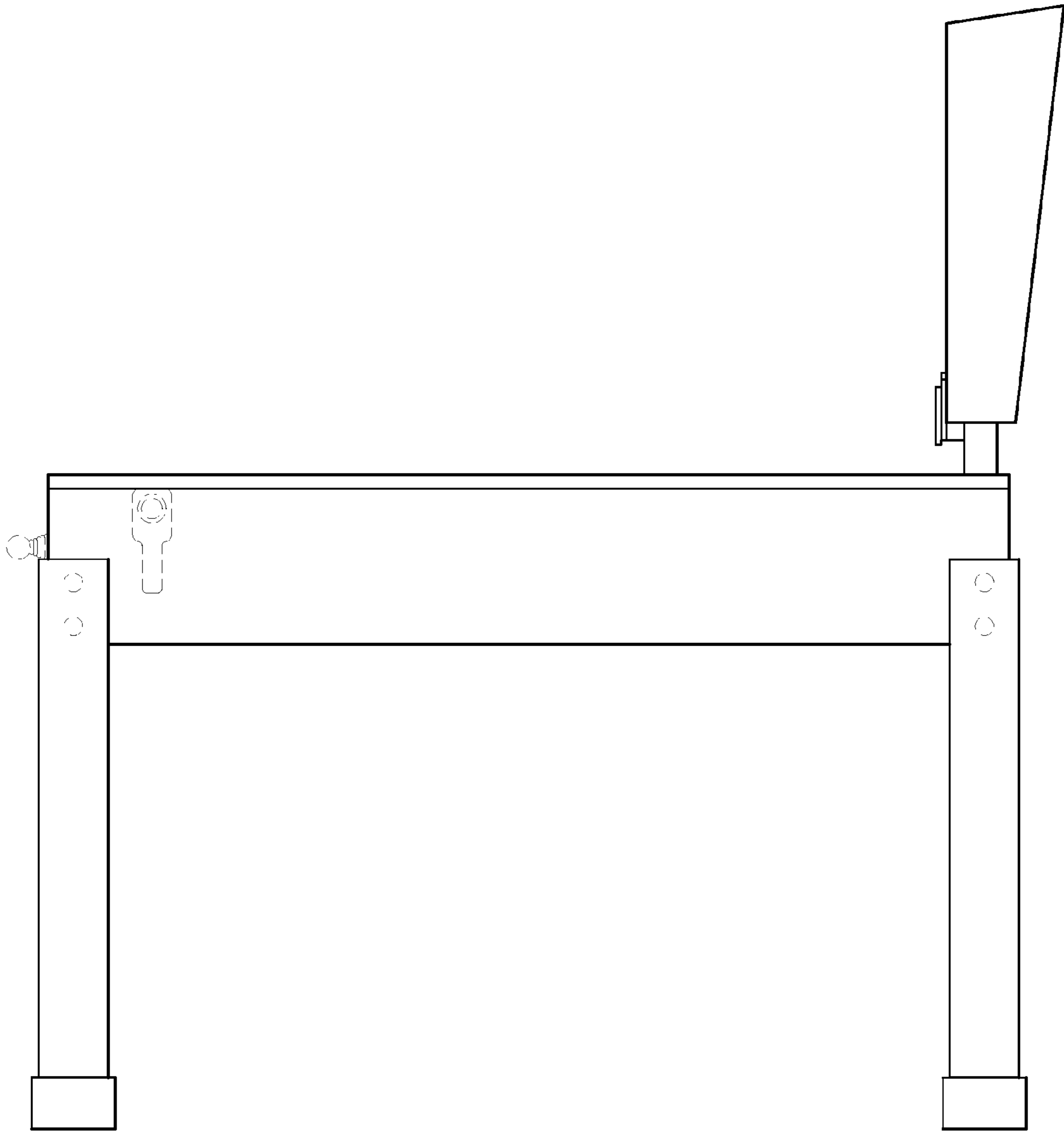


Fig-6

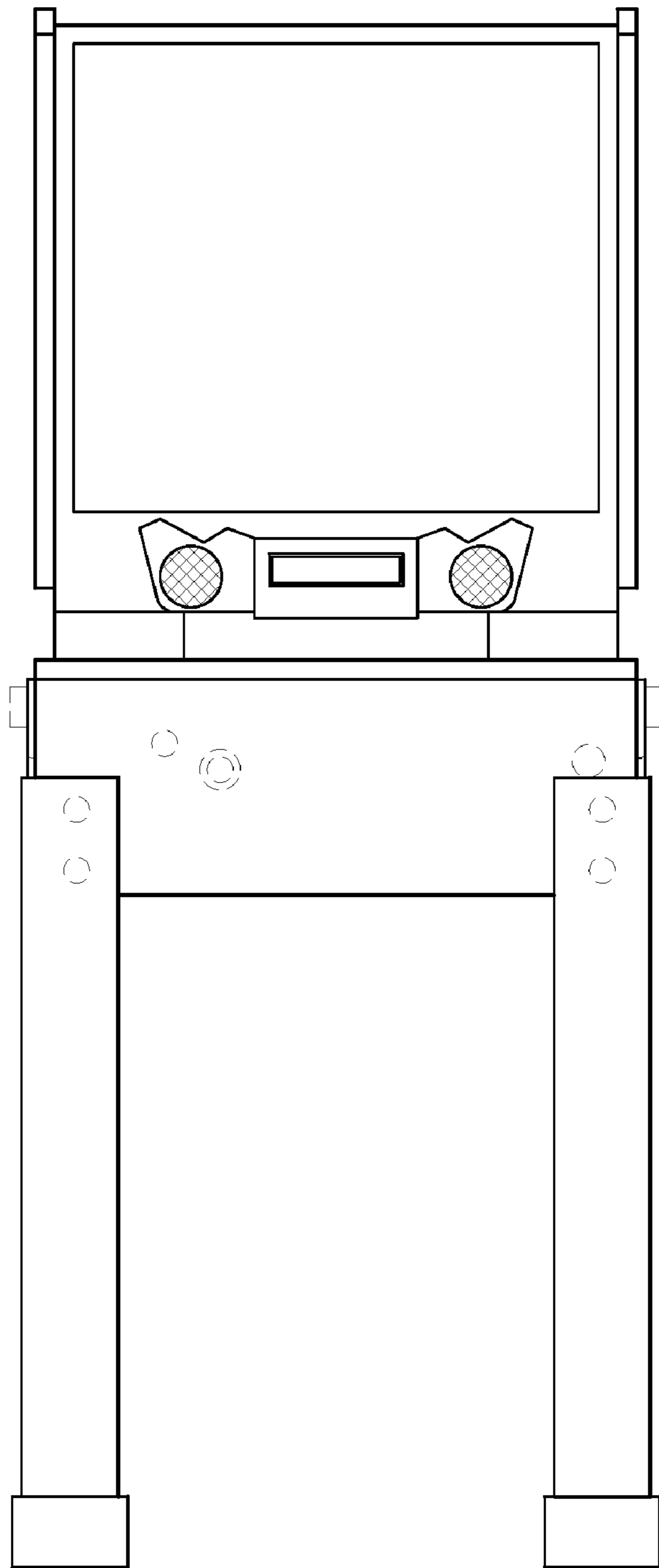


Fig-7

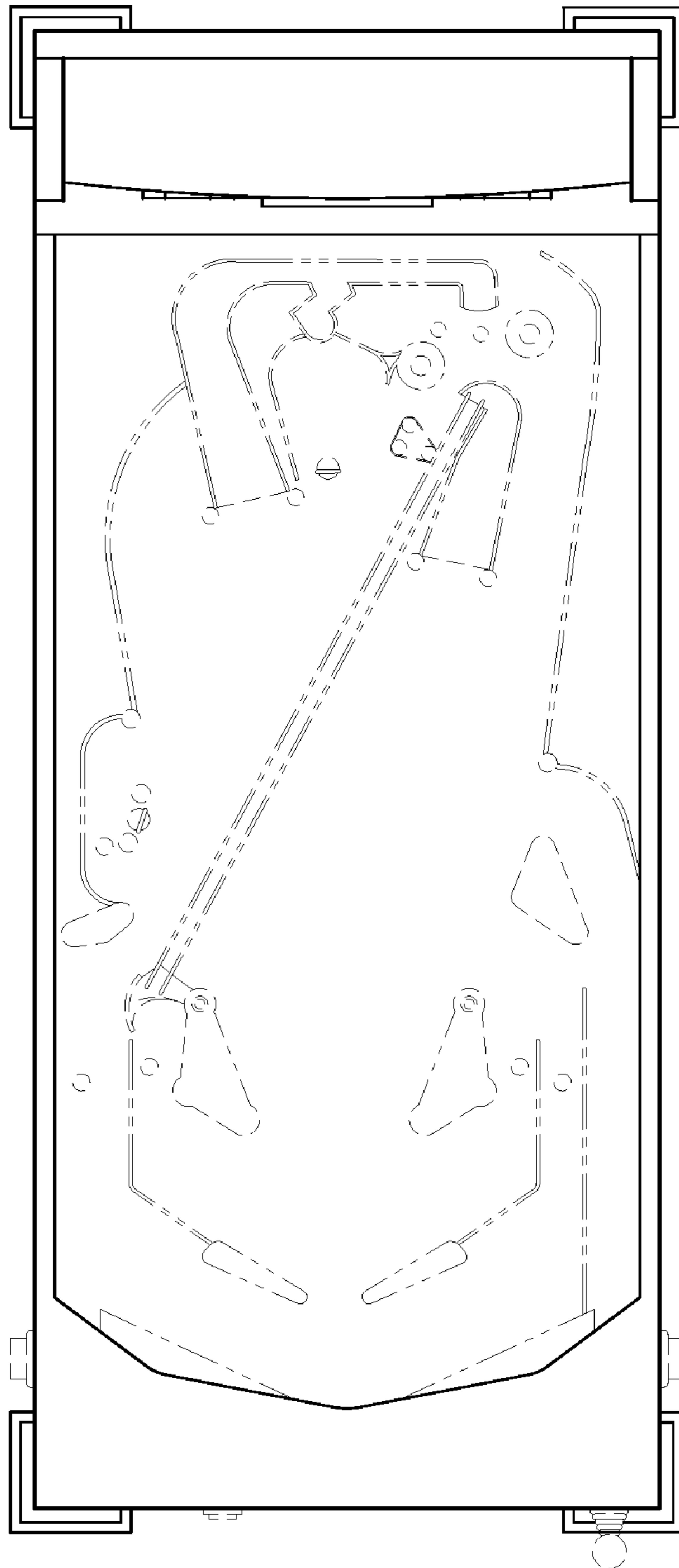


Fig-8