



US00D579049S

(12) **United States Design Patent**
Martin

(10) **Patent No.:** **US D579,049 S**
(45) **Date of Patent:** **** Oct. 21, 2008**

- (54) **PEN**
- (75) **Inventor:** **Stéphane Martin**, Paris (FR)
- (73) **Assignee:** **S.T. Dupont**, Paris (FR)
- (**) **Term:** **14 Years**
- (21) **Appl. No.:** **29/287,099**
- (22) **Filed:** **Jun. 27, 2007**
- (30) **Foreign Application Priority Data**
Dec. 27, 2006 (EM) 000645122-0002
- (51) **LOC (8) Cl.** **19-06**
- (52) **U.S. Cl.** **D19/51**
- (58) **Field of Classification Search** D19/35,
D19/36, 41, 42, 43, 44, 45, 46, 47, 48, 49,
D19/50, 51, 54, 55, 56, 57; 24/11 F, 11 P,
24/11 R; 401/52, 99, 100, 104, 105, 106,
401/107, 108, 109, 243, 244, 245, 246, 247
See application file for complete search history.

- (56) **References Cited**
U.S. PATENT DOCUMENTS
2,078,083 A * 4/1937 Larsen 401/192
D244,529 S * 5/1977 Gomez D19/49
D286,547 S * 11/1986 Koizumi et al. D19/51
D294,263 S * 2/1988 Rodgers et al. D14/411
D307,602 S * 5/1990 Lee D19/49
D366,901 S * 2/1996 Takahashi D19/51
D464,374 S * 10/2002 Reichmann D19/43

D490,850 S * 6/2004 Carls et al. D19/51

FOREIGN PATENT DOCUMENTS

EM 000154265-0004 * 6/2004
GB 3006383 * 11/2002

OTHER PUBLICATIONS

Cross Autocross leather-wrapped pocket pen, as shown on www.penherostore.com (at arrow), dated Feb. 15, 2007 (1 page).*

* cited by examiner

Primary Examiner—Elizabeth A. Albert
Assistant Examiner—Karen E Eldridge Powers
(74) *Attorney, Agent, or Firm*—Young & Thompson

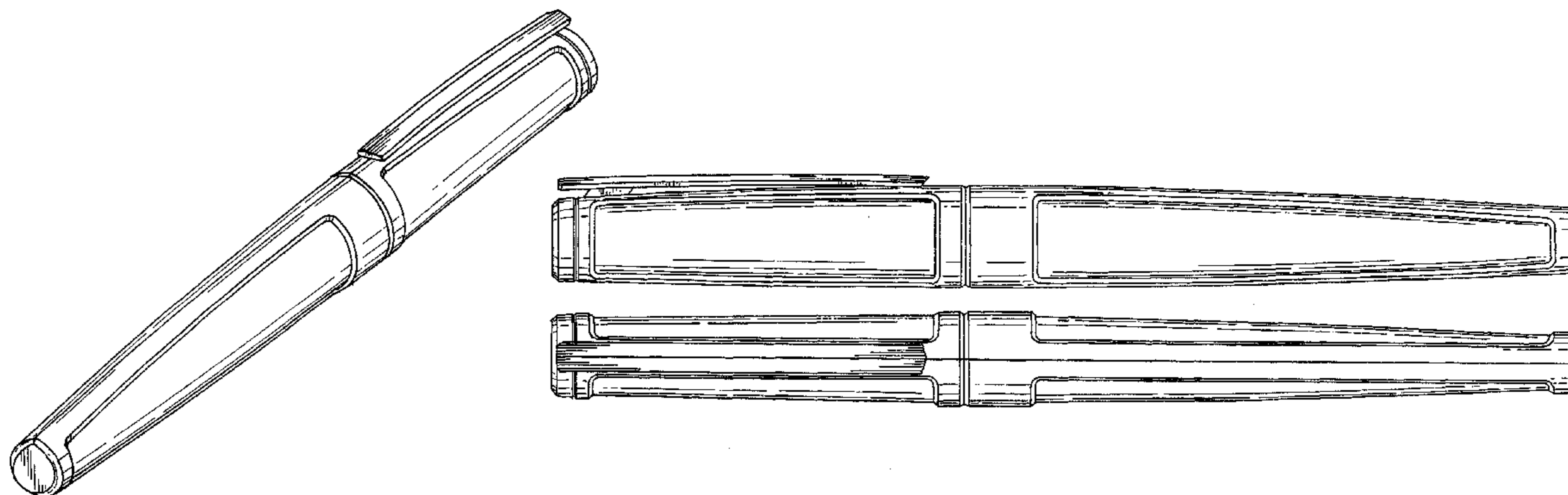
(57) **CLAIM**

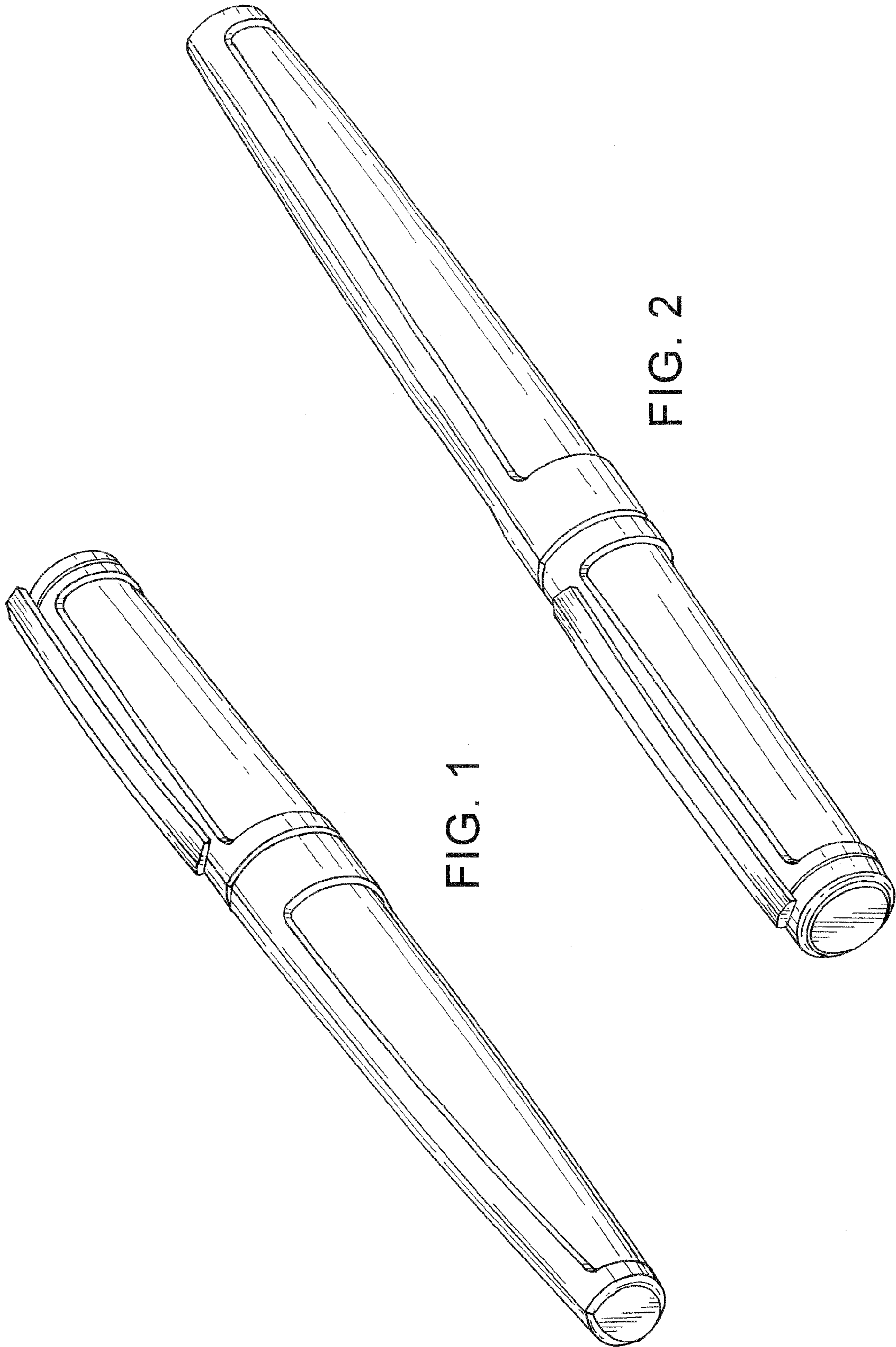
The ornamental design for a pen, as shown.

DESCRIPTION

- FIG. 1 is a front perspective view of a pen, showing my new design;
- FIG. 2 is a rear perspective view thereof;
- FIG. 3 is a rear elevation view thereof;
- FIG. 4 is an elevation view thereof from the left side, the right side being a mirror image thereof;
- FIG. 5 is a front elevational view thereof;
- FIG. 6 is a top plan view thereof; and,
- FIG. 7 is a bottom plan view thereof.

1 Claim, 2 Drawing Sheets





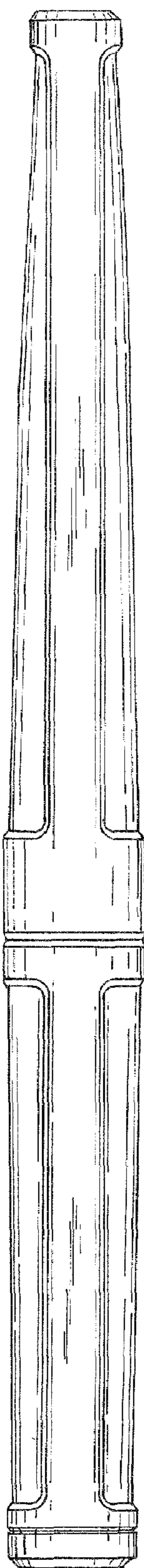


FIG. 3

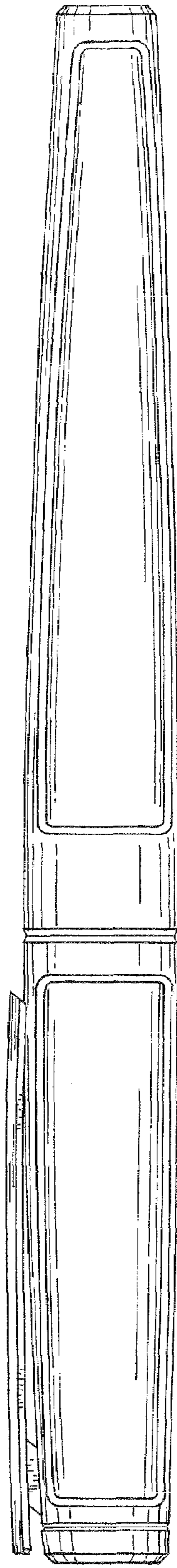


FIG. 4

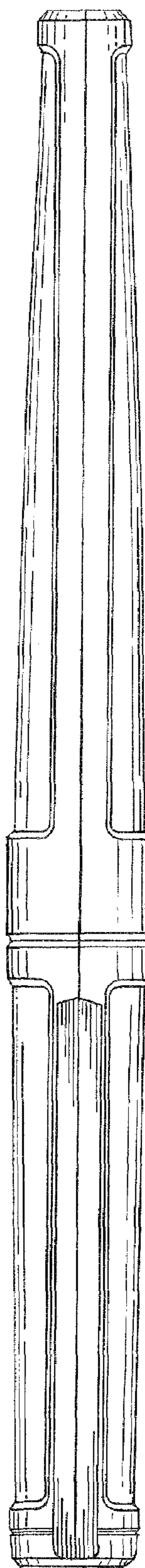


FIG. 5

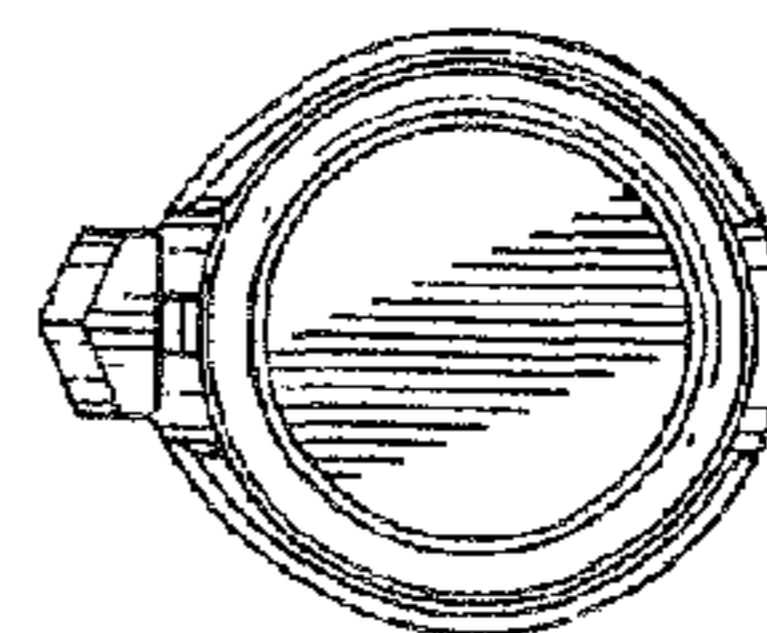


FIG. 6

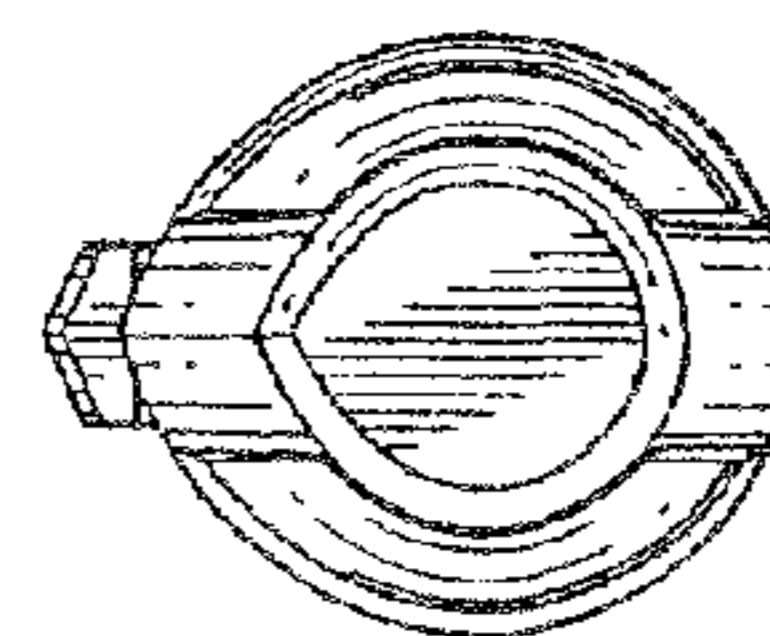


FIG. 7