

US00D579048S

(12) **United States Design Patent**
Martin

(10) **Patent No.:** **US D579,048 S**
(45) **Date of Patent:** **** Oct. 21, 2008**

(54) **PEN**
(75) Inventor: **Stéphane Martin**, Paris (FR)
(73) Assignee: **S.T. Dupont**, Paris (FR)
(**) Term: **14 Years**

GB 2089652 * 5/2000
GB 3006383 * 11/2002
WO WO DM/054203 * 12/2000
WO WO DM/056850 * 7/2001

(21) Appl. No.: **29/287,098**
(22) Filed: **Jun. 27, 2007**

OTHER PUBLICATIONS

Cross Autocross leather-wrapped pocket pen, as shown on www.penherostore.com (at arrow), dated Feb. 15, 2007 (1 page).*

(30) **Foreign Application Priority Data**
Dec. 27, 2006 (EM) 000645122-0001

Primary Examiner—Elizabeth A. Albert
Assistant Examiner—Karen E Eldridge Powers
(74) *Attorney, Agent, or Firm*—Young & Thompson

(51) **LOC (8) Cl.** **19-06**
(52) **U.S. Cl.** **D19/51**
(58) **Field of Classification Search** D19/35,
D19/36, 41, 42, 43, 44, 45, 46, 47, 48, 49,
D19/50, 51, 54, 55, 56, 57; 24/11 F, 11 P,
24/11 R; 401/52, 99, 100, 104, 105, 106,
401/107, 108, 109, 243, 244, 245, 246, 247
See application file for complete search history.

(57) **CLAIM**

The ornamental design for a pen, as shown and described.

(56) **References Cited**

DESCRIPTION

U.S. PATENT DOCUMENTS

1,736,430 A * 11/1929 Deli 379/456
D92,705 S * 7/1934 Deli D19/36
2,060,406 A * 11/1936 Tiede 206/537
2,078,083 A * 4/1937 Larsen 401/192
D108,899 S * 3/1938 Tammen et al. D19/49
D242,450 S * 11/1976 Jahraus D19/45
D244,529 S * 5/1977 Gomez D19/49
D265,212 S * 6/1982 Spiegel D19/47
D286,547 S * 11/1986 Koizumi et al. D19/51
D294,263 S * 2/1988 Rodgers et al. D14/411
D307,602 S * 5/1990 Lee D19/49
D309,633 S * 7/1990 Itoh D19/51
D329,252 S * 9/1992 Mackin D19/36
D336,108 S * 6/1993 Kazunori D19/48

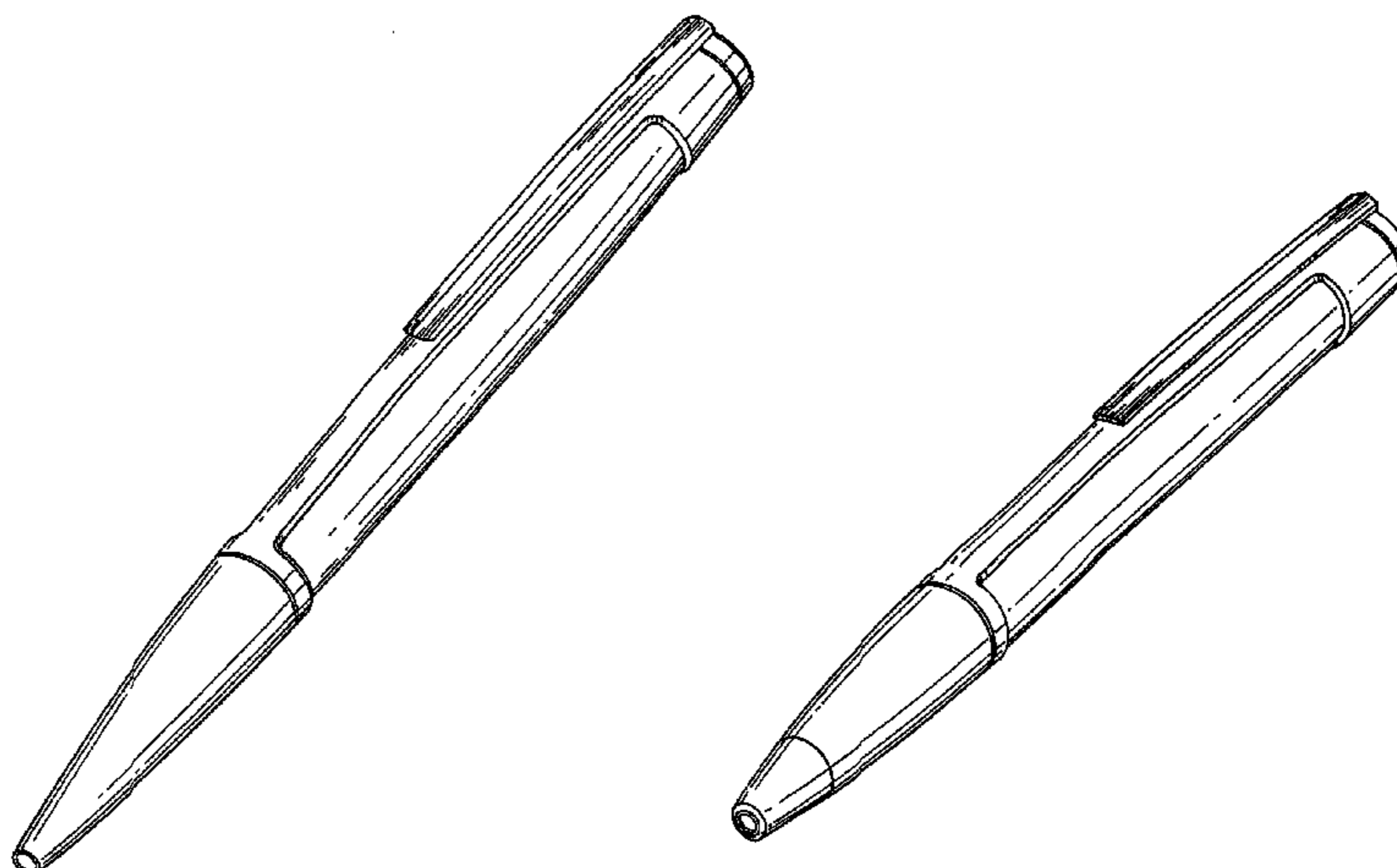
FIG. 1 is a front perspective view of a first embodiment of a pen, showing my new design;
FIG. 2 is a rear perspective view thereof;
FIG. 3 is a rear elevation view thereof;
FIG. 4 is an elevation view thereof from the left side, the right side being a mirror image thereof;
FIG. 5 is a front elevational view thereof;
FIG. 6 is a top plan view thereof;
FIG. 7 is a bottom plan view thereof;
FIG. 8 is a front perspective view of a second embodiment of the pen shown in FIG. 1;
FIG. 9 is a rear perspective view thereof;
FIG. 10 is a rear elevational view thereof;
FIG. 11 is a left side elevational view, the right side being a mirror image thereof;
FIG. 12 is a front elevation view thereof;
FIG. 13 is a top plan view thereof; and,
FIG. 14 is a bottom plan view thereof.

(Continued)

FOREIGN PATENT DOCUMENTS

EM 000625199-0001 * 12/2006

1 Claim, 4 Drawing Sheets



US D579,048 S

Page 2

U.S. PATENT DOCUMENTS

D360,433 S *	7/1995	Payne et al.	D19/51	D415,199 S *	10/1999	Pellissa Beneyto	D19/51
D366,901 S *	2/1996	Takahashi	D19/51	D456,842 S *	5/2002	Ono	D19/36
D395,917 S *	7/1998	Rosenbaum	D19/49	D464,374 S *	10/2002	Reichmann	D19/43
D397,723 S *	9/1998	Izushima	D19/49	D490,850 S *	6/2004	Carls et al.	D19/51
D398,024 S *	9/1998	Frank	D19/42	D552,714 S *	10/2007	Lu	D23/213

* cited by examiner

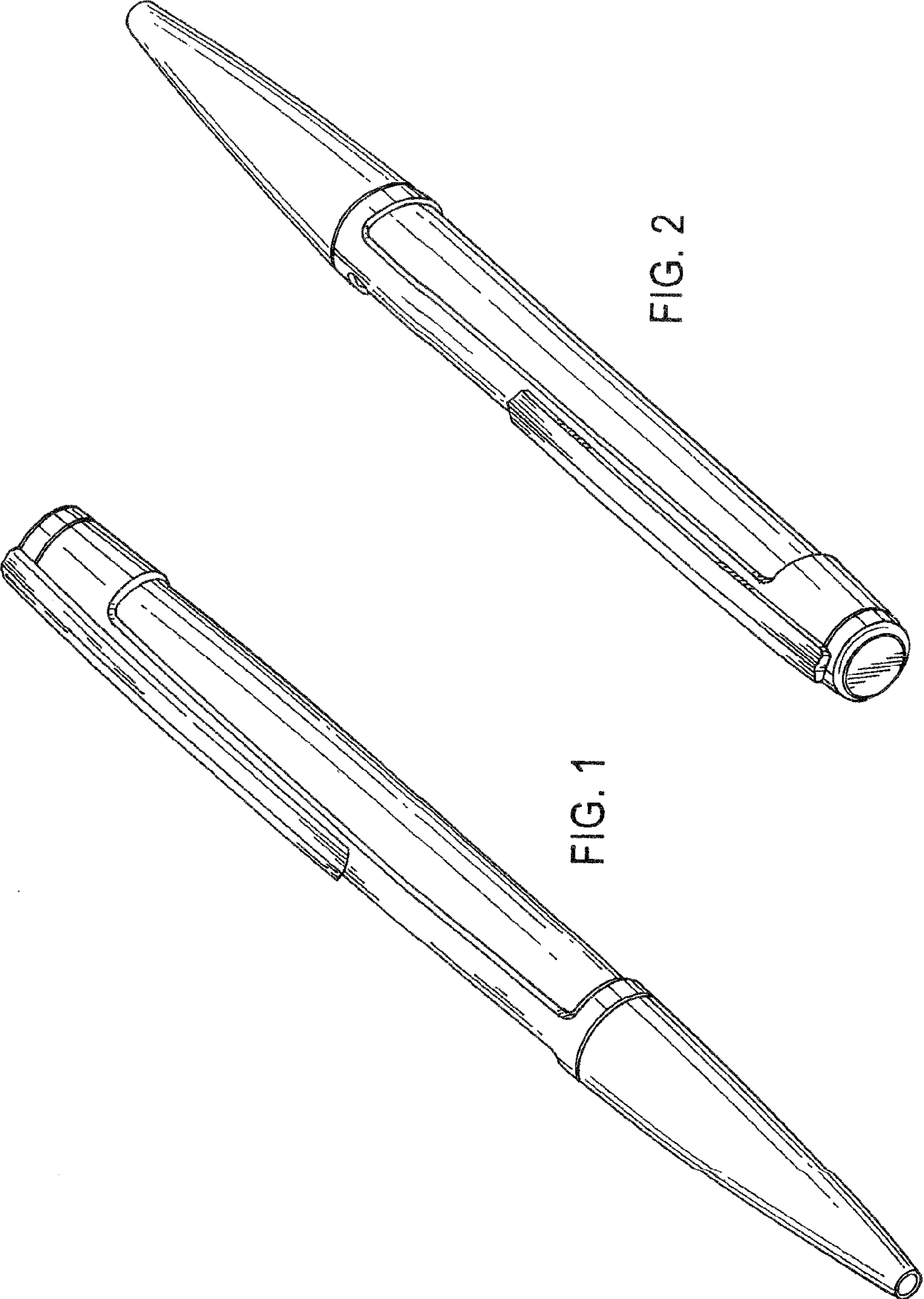


FIG. 2

FIG. 1

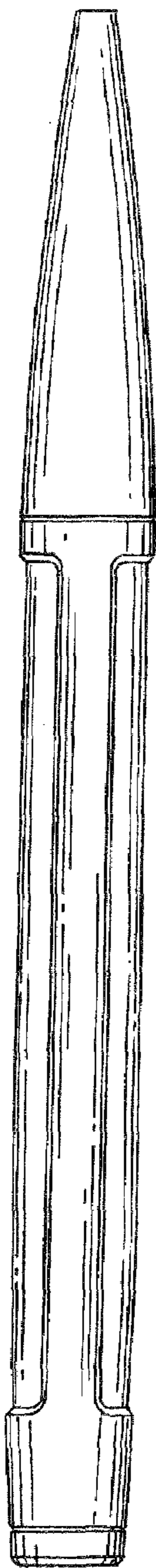


FIG. 3

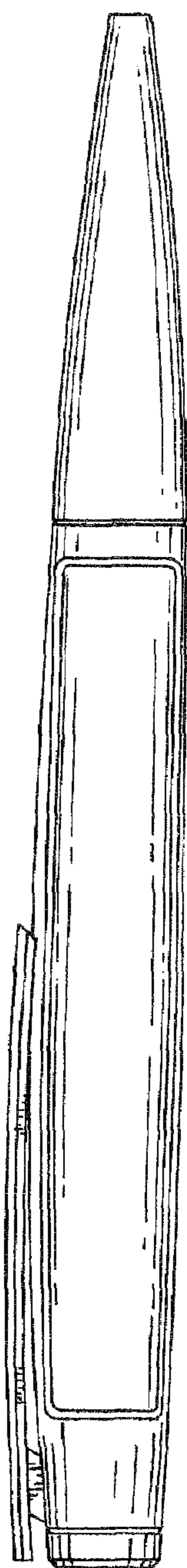


FIG. 4

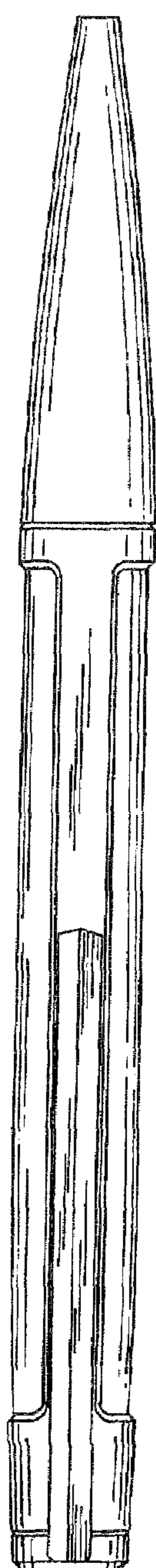


FIG. 5

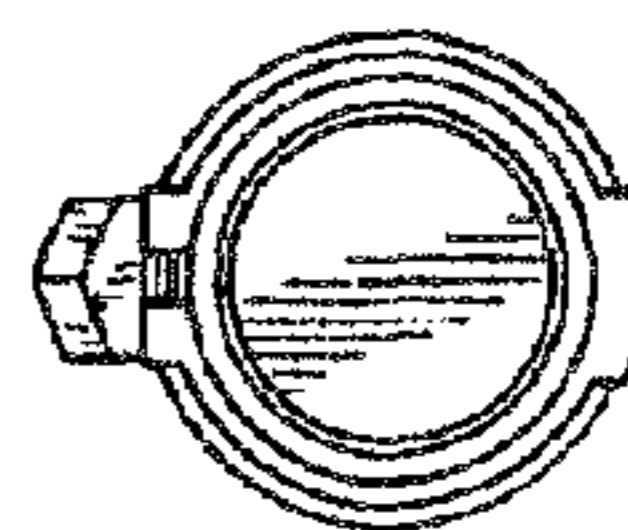


FIG. 6

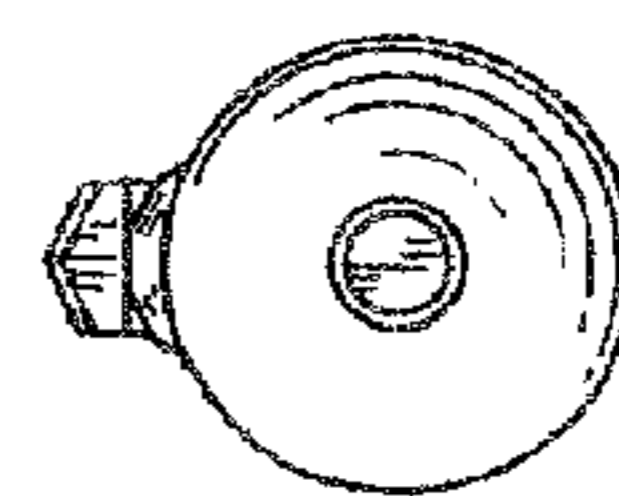
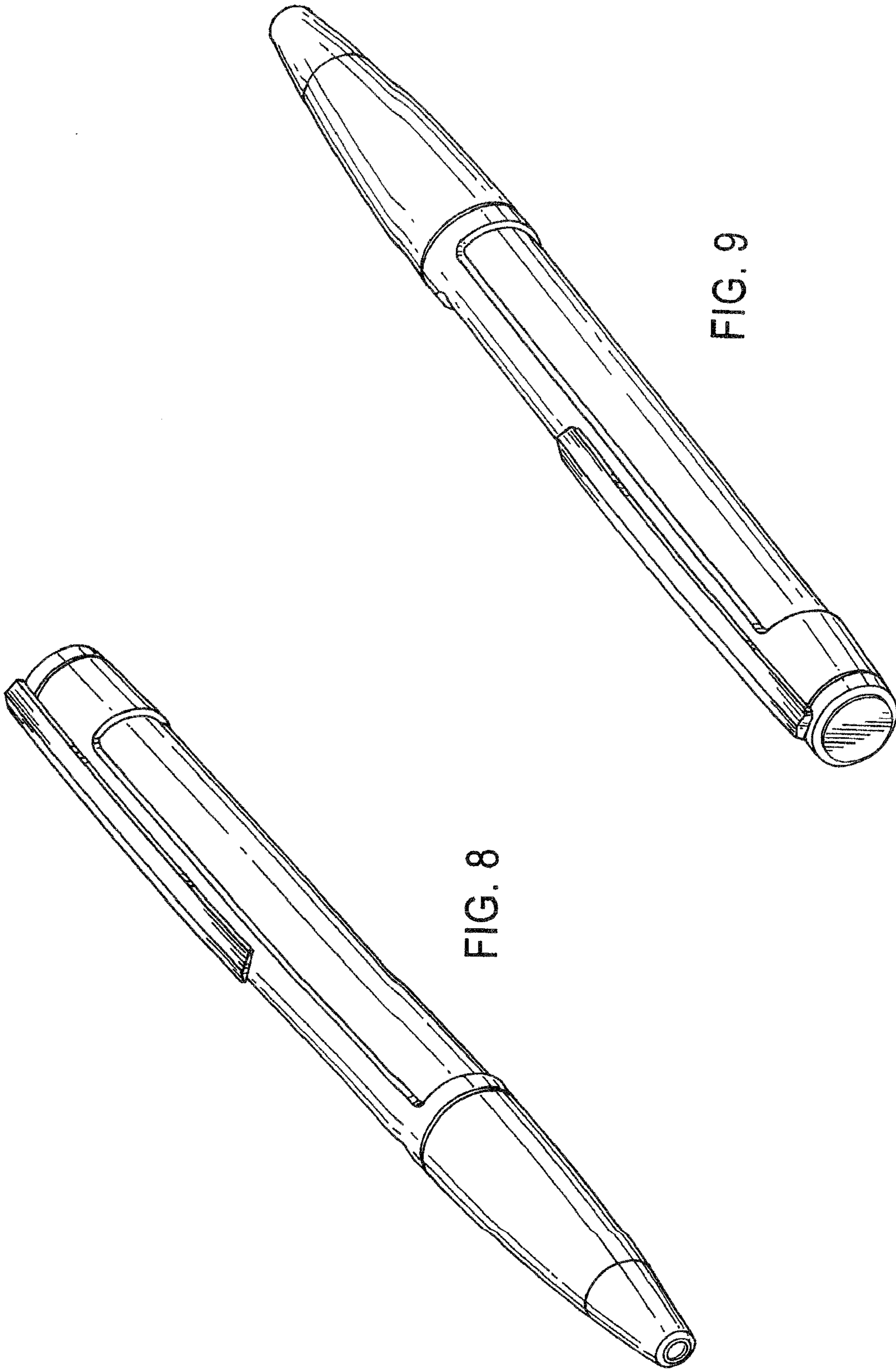


FIG. 7



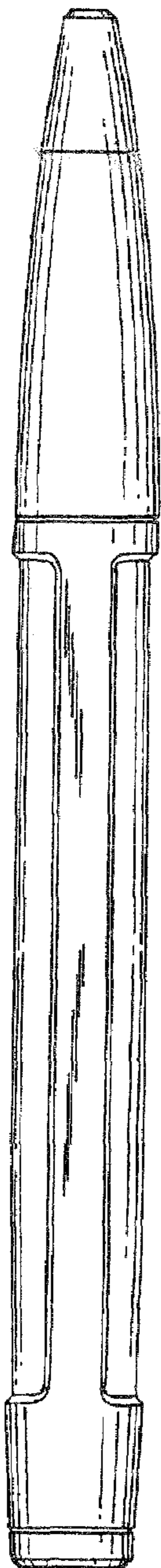


FIG. 10

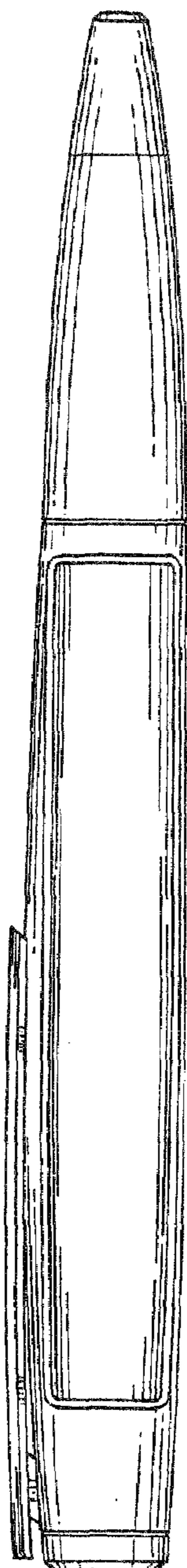


FIG. 11

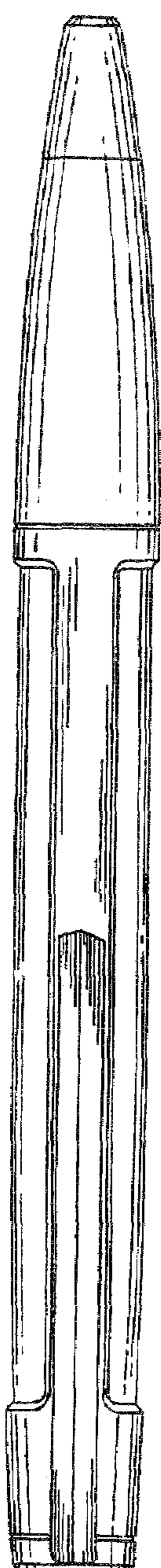


FIG. 12

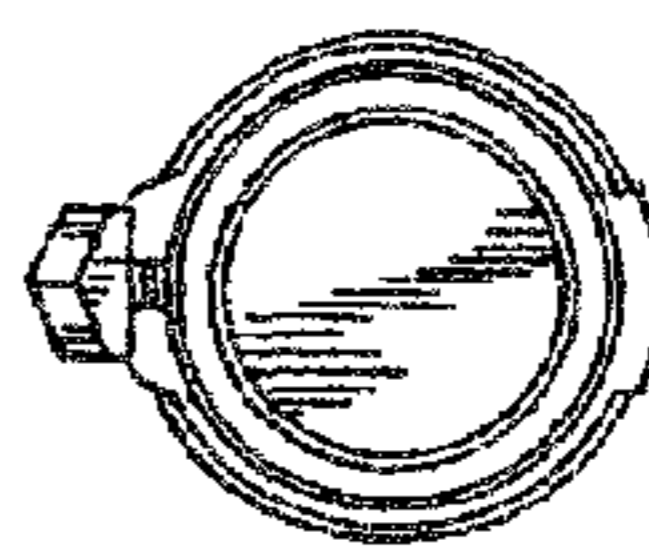


FIG. 13

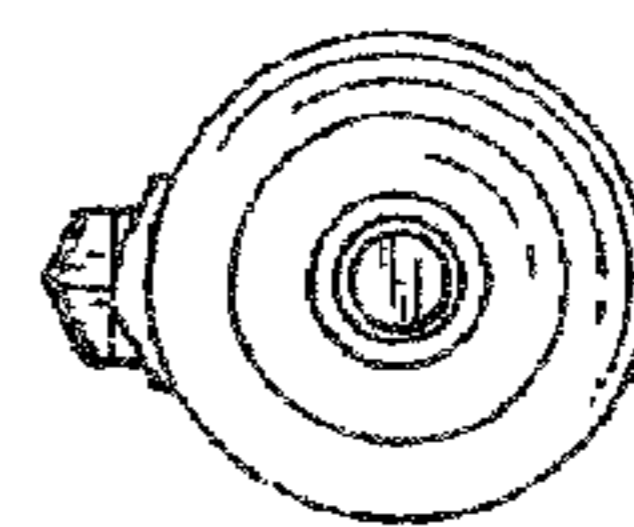


FIG. 14