



US00D579043S

(12) **United States Design Patent**
Hattori et al.

(10) **Patent No.:** **US D579,043 S**
(45) **Date of Patent:** **** Oct. 21, 2008**

(54) **TAPE PRINTING MACHINE FOR
COMPUTER**

(75) Inventors: **Mitsuharu Hattori**, Nagoya (JP); **Kayo
Hasui**, Nagoya (JP)

(73) Assignee: **Brother Industries, Ltd.**, Nagoya (JP)

(**) Term: **14 Years**

(21) Appl. No.: **29/274,984**

(22) Filed: **Jun. 14, 2007**

(30) **Foreign Application Priority Data**

Dec. 25, 2006 (JP) 2006-035542

(51) **LOC (8) Cl.** **18-02**

(52) **U.S. Cl.** **D18/50**

(58) **Field of Classification Search** D18/36-39,
D18/50, 54, 54.1, 55, 14, 19; D14/420-425,
D14/462-470; 400/613, 613.1-613.4, 690.1-690.4,
400/691-694

See application file for complete search history.

(56) **References Cited**

U.S. PATENT DOCUMENTS

D350,150 S * 8/1994 Weitkamp D18/50
D362,673 S * 9/1995 Yamamoto D18/19
6,113,294 A * 9/2000 Niwa 400/613

6,234,696 B1 * 5/2001 Whittaker 400/613
D461,842 S * 8/2002 Hattori D18/19
D528,151 S * 9/2006 Hattori D18/50
7,285,042 B2 * 10/2007 Kato 400/693
2004/0258451 A1 * 12/2004 Kato 400/691

* cited by examiner

Primary Examiner—Cathy Anne MacCormac

(74) *Attorney, Agent, or Firm*—Oliff & Berridge, PLC

(57) **CLAIM**

The ornamental design for a tape printing machine for computer, as shown and described.

DESCRIPTION

FIG. 1 is a perspective view of a tape printing machine for computer;

FIG. 2 is a front view thereof;

FIG. 3 is a top view thereof;

FIG. 4 is a right-side view thereof;

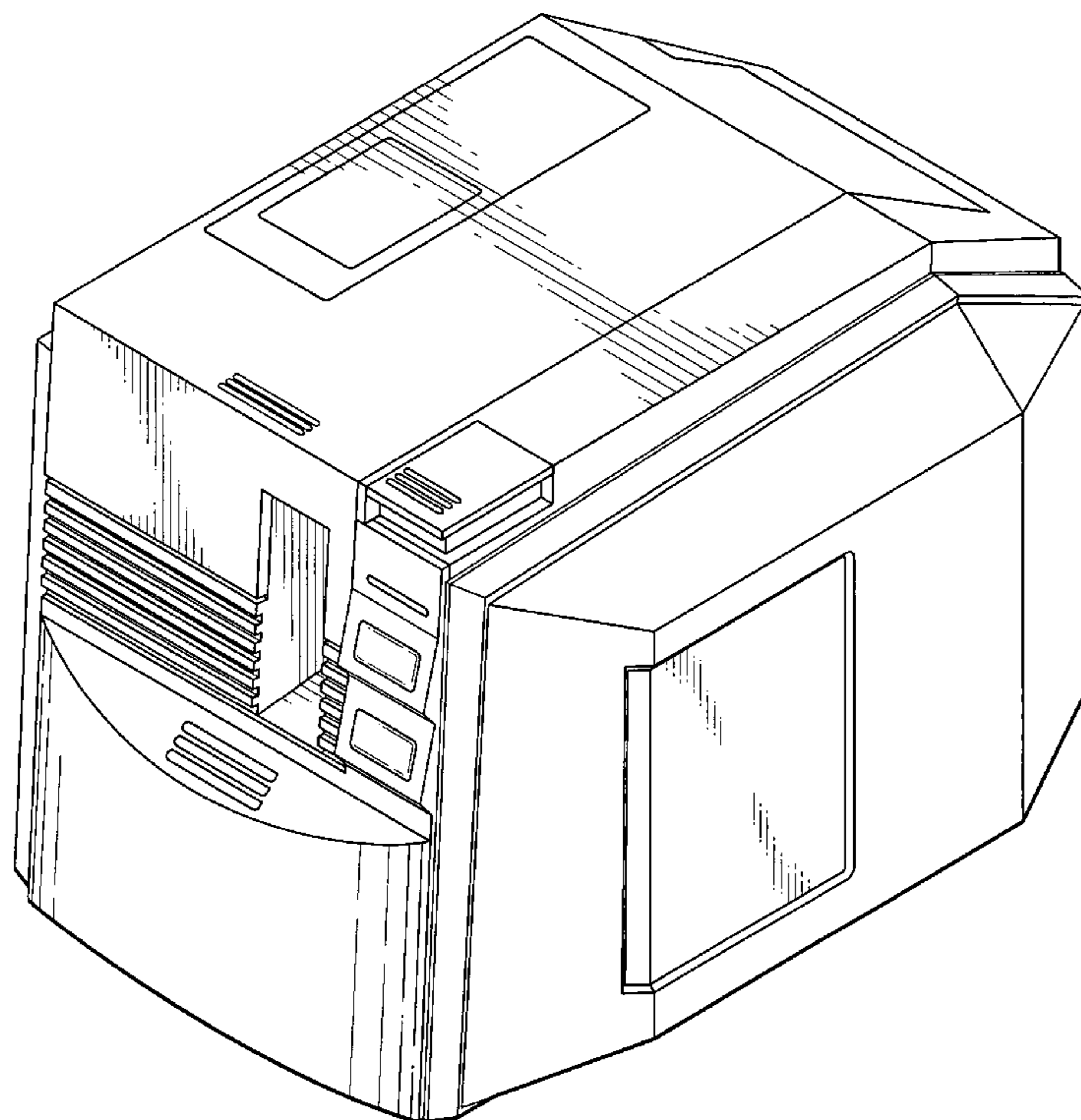
FIG. 5 is a left-side view thereof;

FIG. 6 is a rear view thereof; and,

FIG. 7 is a bottom view thereof.

The broken lines are for illustrative purposes only and form no part of the claimed design.

1 Claim, 7 Drawing Sheets



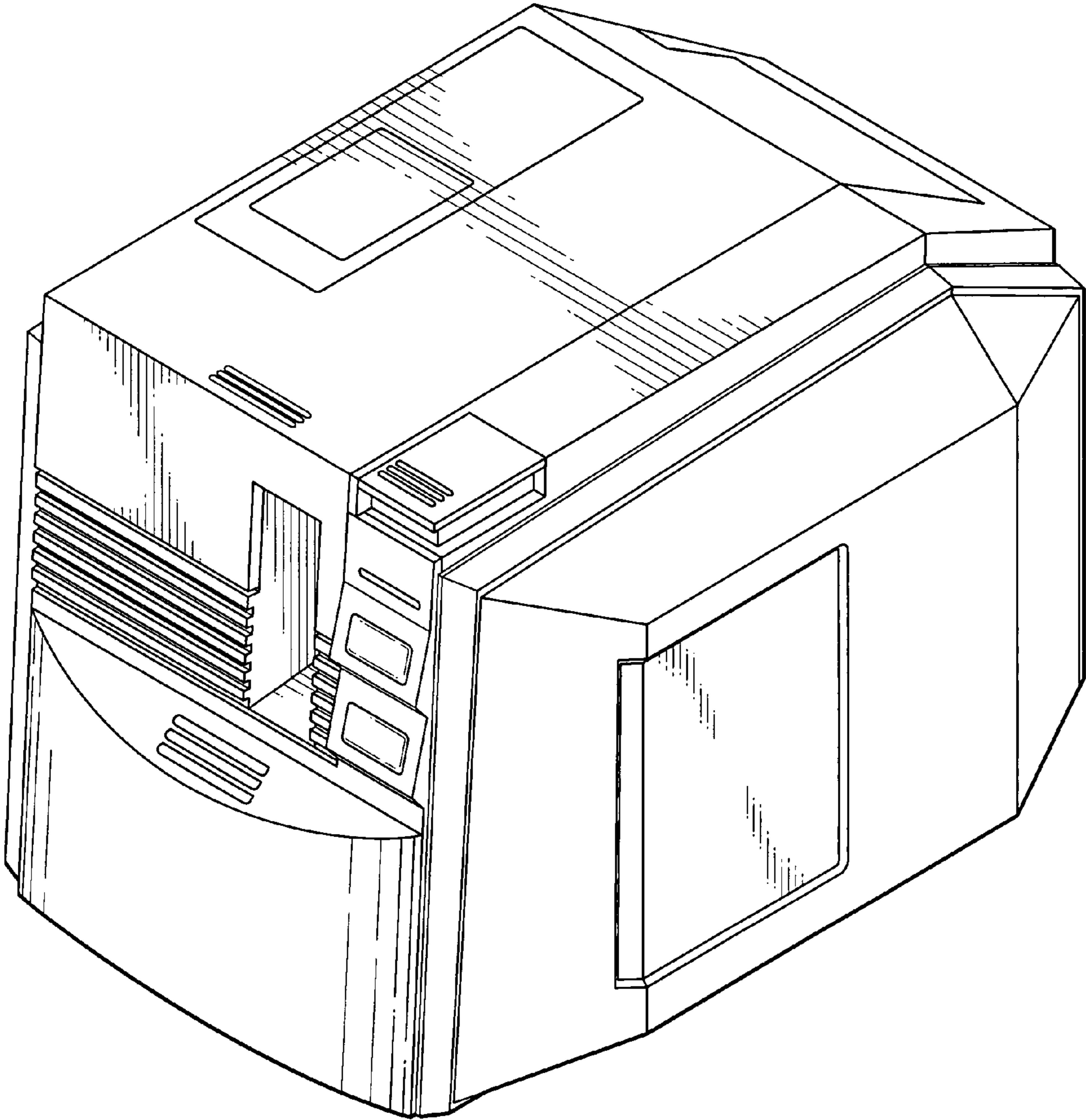


FIG. 1

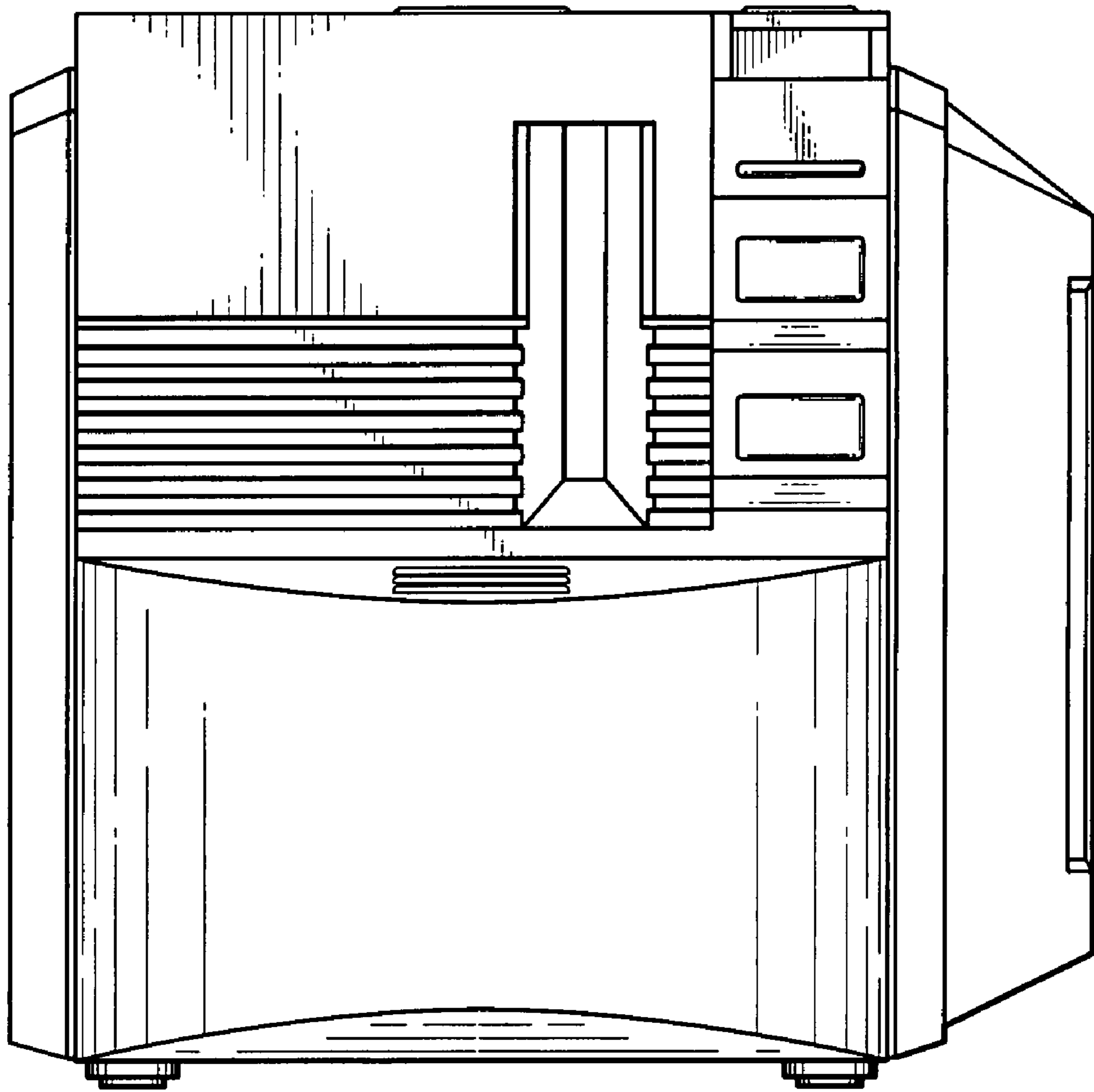


FIG. 2

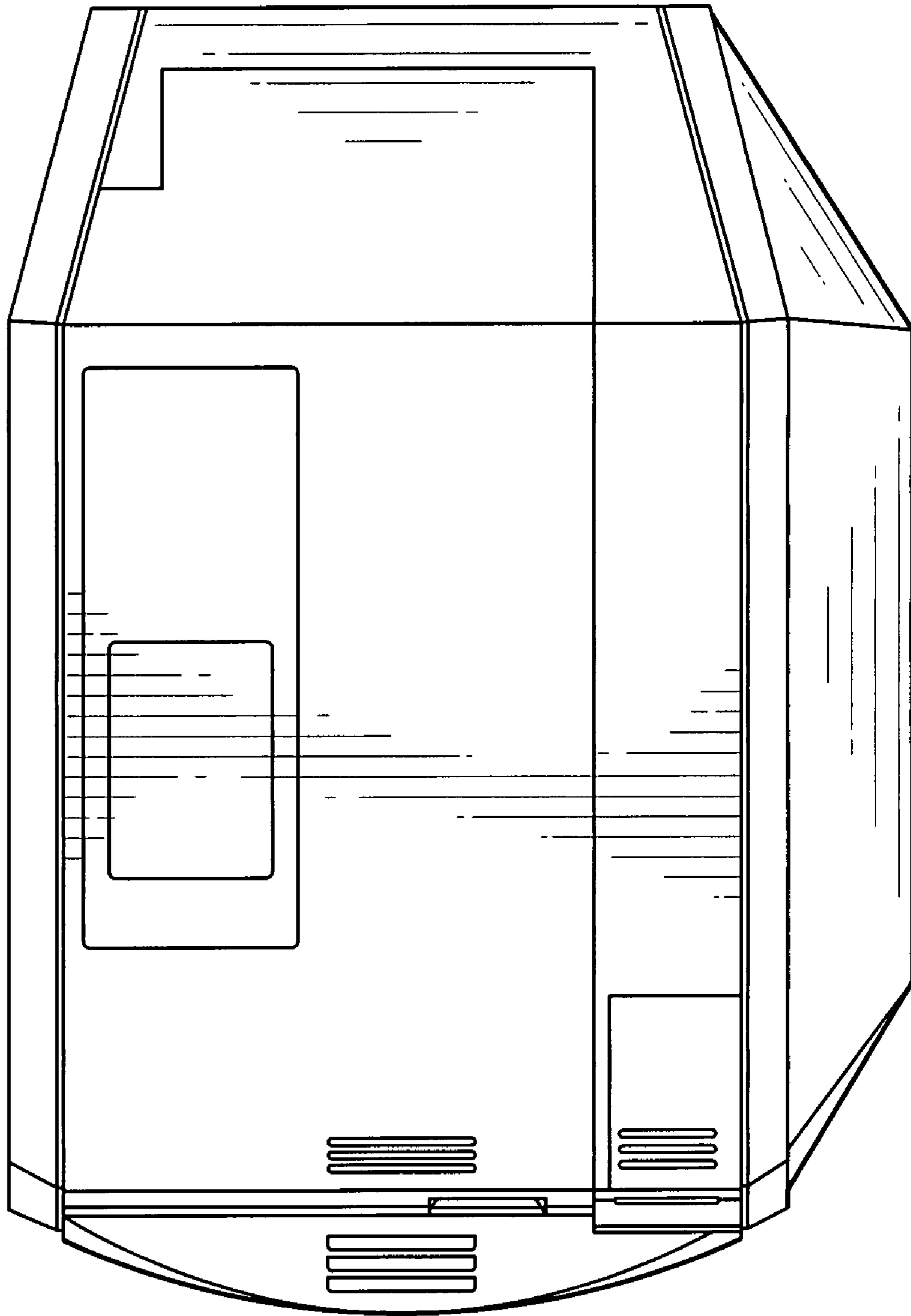


FIG. 3

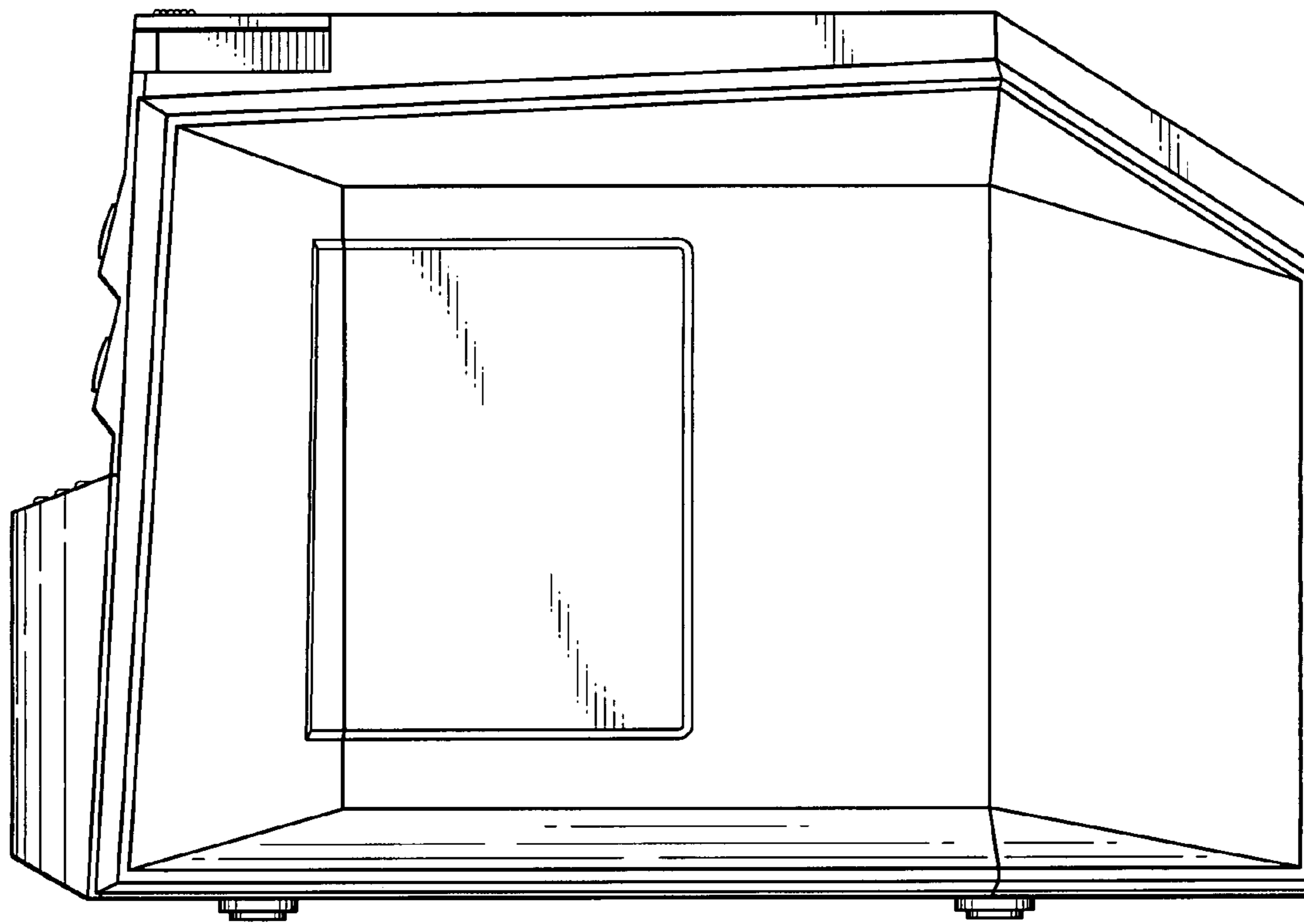


FIG. 4

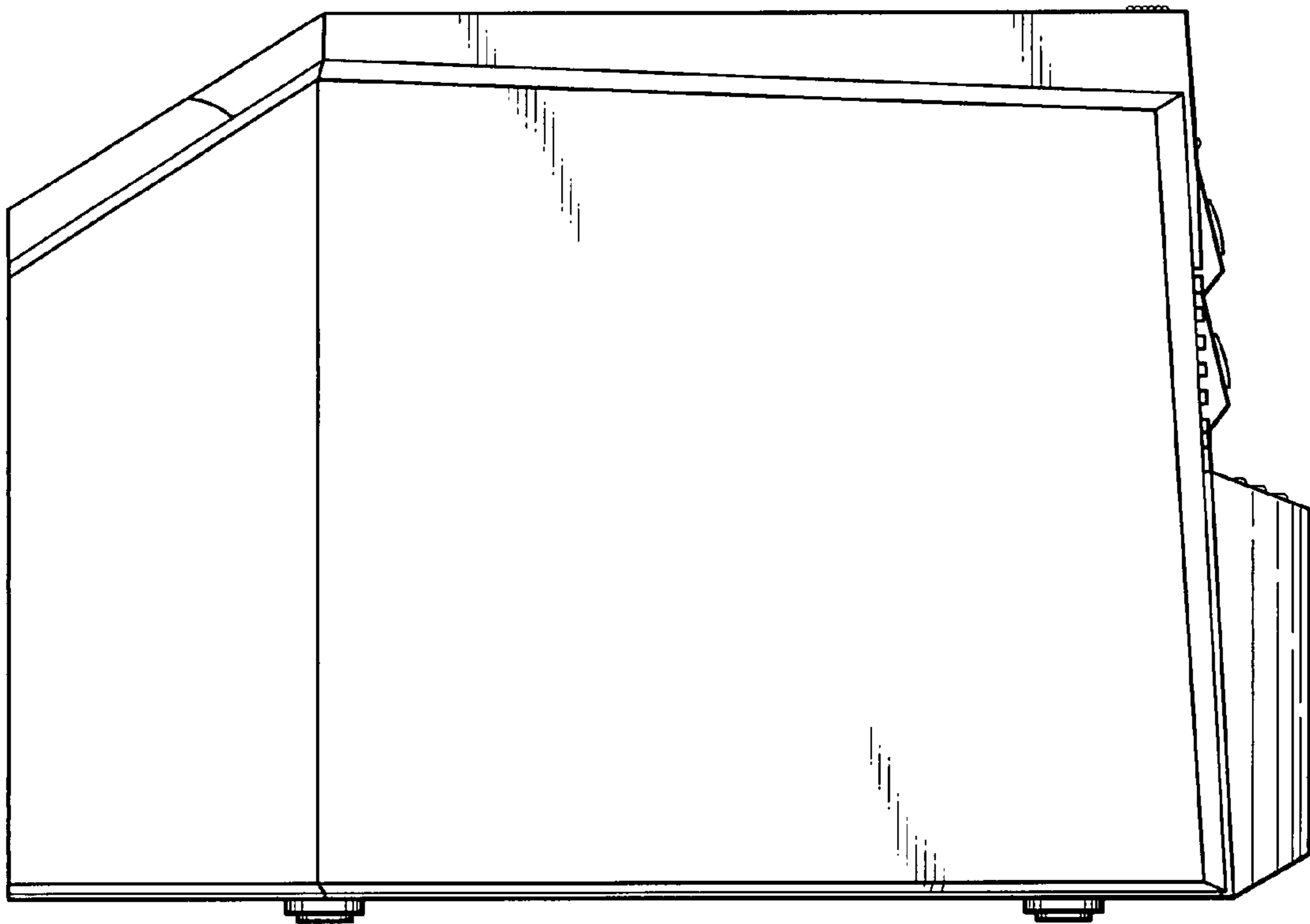


FIG. 5

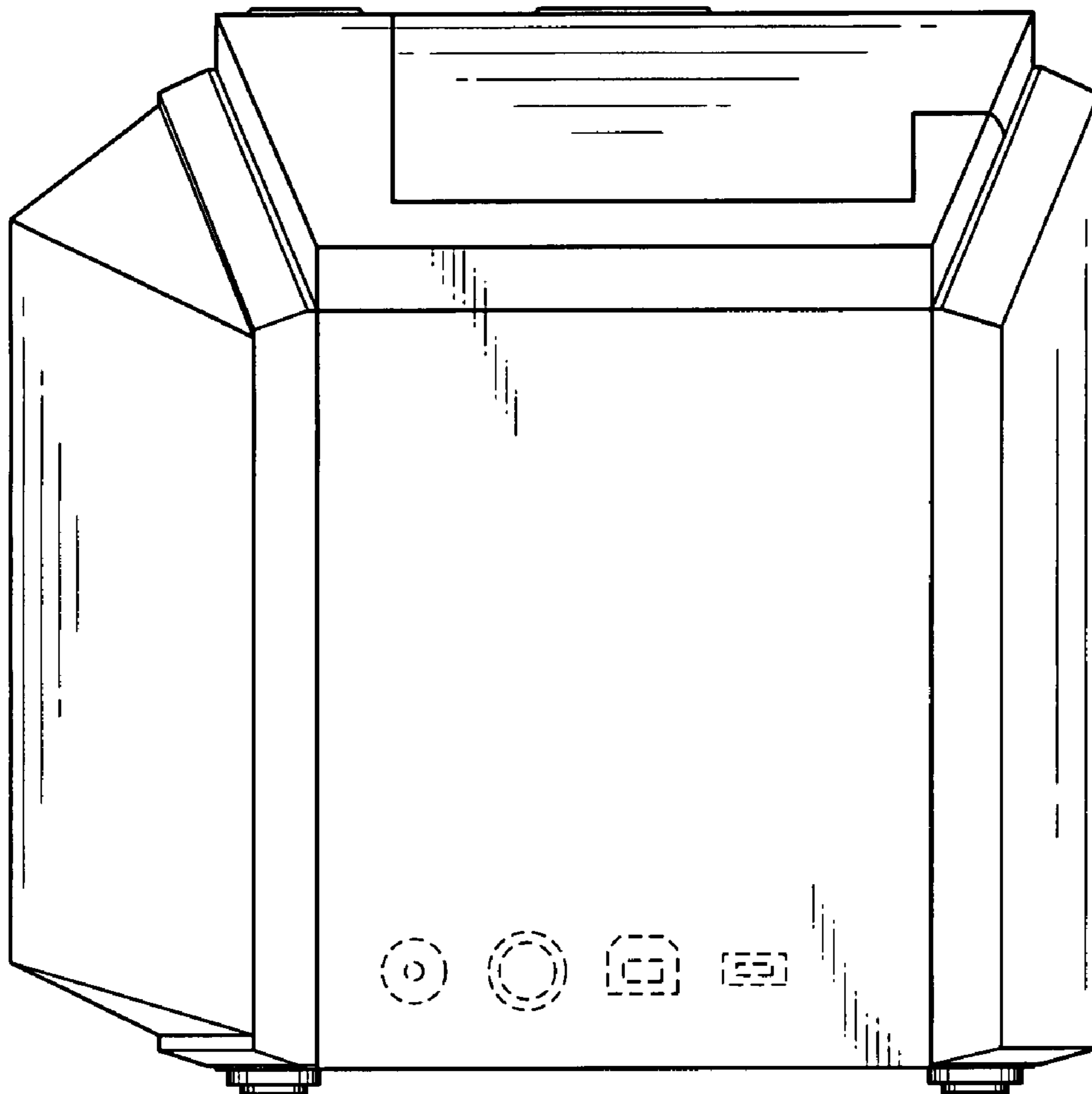


FIG. 6

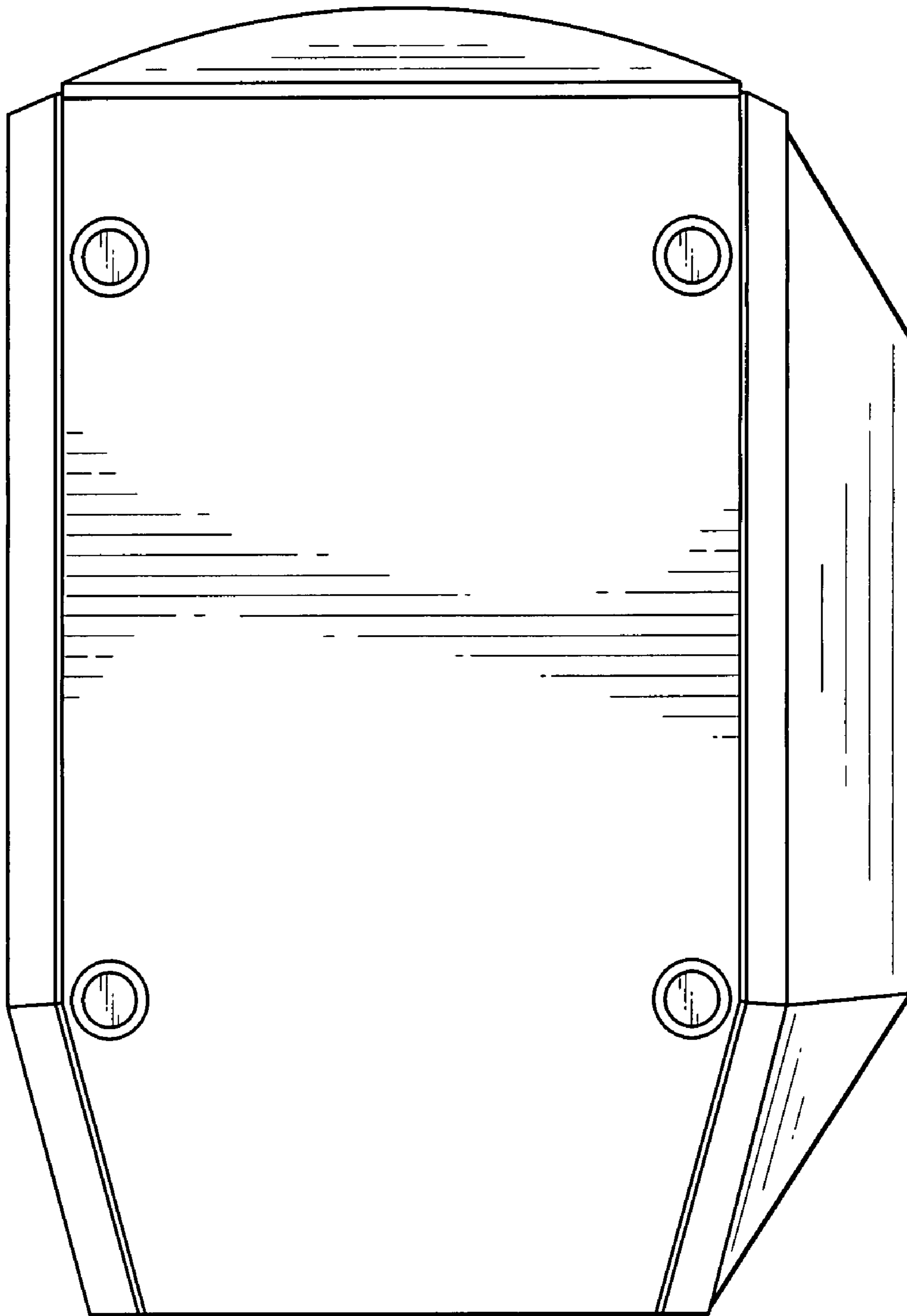


FIG. 7