



US00D579042S

(12) **United States Design Patent**
Hattori

(10) **Patent No.:** **US D579,042 S**

(45) **Date of Patent:** **** Oct. 21, 2008**

(54) **PRINTER**

(75) Inventor: **Satoru Hattori**, Nagoya (JP)

(73) Assignee: **Brother Industries, Ltd.**, Nagoya (JP)

(**) Term: **14 Years**

(21) Appl. No.: **29/274,952**

(22) Filed: **Jun. 12, 2007**

(30) **Foreign Application Priority Data**

Dec. 27, 2006 (JP) 2006-036049

(51) **LOC (8) Cl.** **18-02**

(52) **U.S. Cl.** **D18/50**

(58) **Field of Classification Search** D18/36-39,
D18/50, 54, 54.1, 55, 14, 19; D14/420-425,
D14/462-470; 400/613, 613.1-613.4, 691-694
See application file for complete search history.

(56) **References Cited**

U.S. PATENT DOCUMENTS

D253,134 S	*	10/1979	DiBenedetto	D18/55
D323,526 S	*	1/1992	Kobayashi	D18/54
D324,234 S	*	2/1992	Tanaka	D18/54
D369,177 S	*	4/1996	Kasai et al.	D18/54
D439,273 S	*	3/2001	Sato et al.	D18/54.1
D519,151 S	*	4/2006	Tashiro	D18/54

D527,413 S	*	8/2006	Delaney et al.	D18/50
D537,114 S	*	2/2007	Gant et al.	D18/54
D545,355 S	*	6/2007	Katayama	D18/50
D545,893 S	*	7/2007	Ogawa et al.	D18/50
D548,776 S	*	8/2007	Egami et al.	D18/50
D548,777 S	*	8/2007	Matsumoto et al.	D18/55
D556,255 S	*	11/2007	Matsumoto	D18/50

* cited by examiner

Primary Examiner—Cathy Anne MacCormac

(74) *Attorney, Agent, or Firm*—Oliff & Berridge, PLC

(57) **CLAIM**

The ornamental design for a printer, as shown and described.

DESCRIPTION

FIG. 1 is a front perspective view of a printer;

FIG. 2 is a front view thereof;

FIG. 3 is a left-side view thereof;

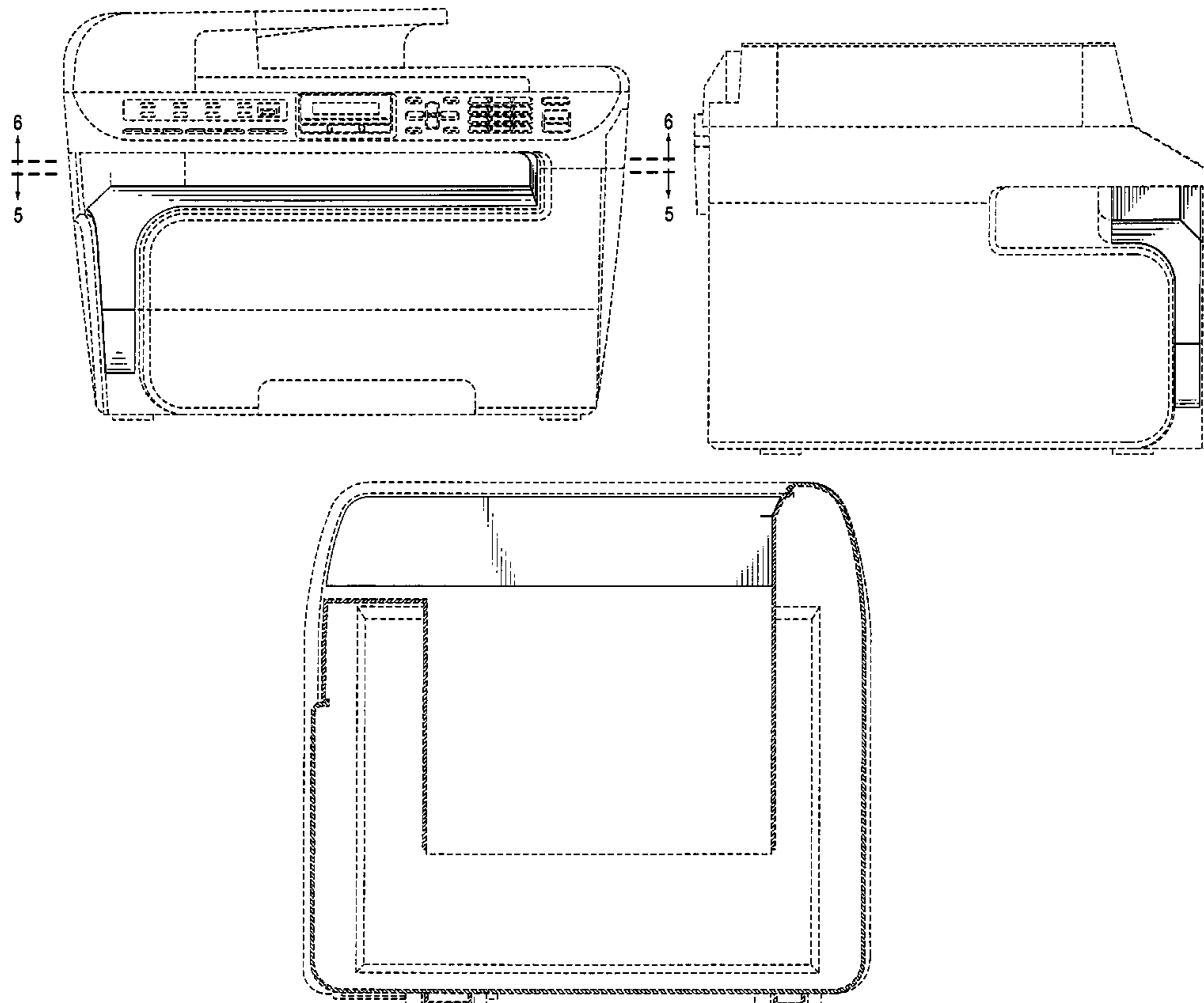
FIG. 4 is a bottom view thereof;

FIG. 5 is a cross-sectional view thereof taken along the line 5—5 of FIG. 2; and,

FIG. 6 is a cross-sectional view thereof taken along the line 6—6 of FIG. 2.

The broken lines are for illustrative purposes only and form no part of the claimed design.

1 Claim, 6 Drawing Sheets



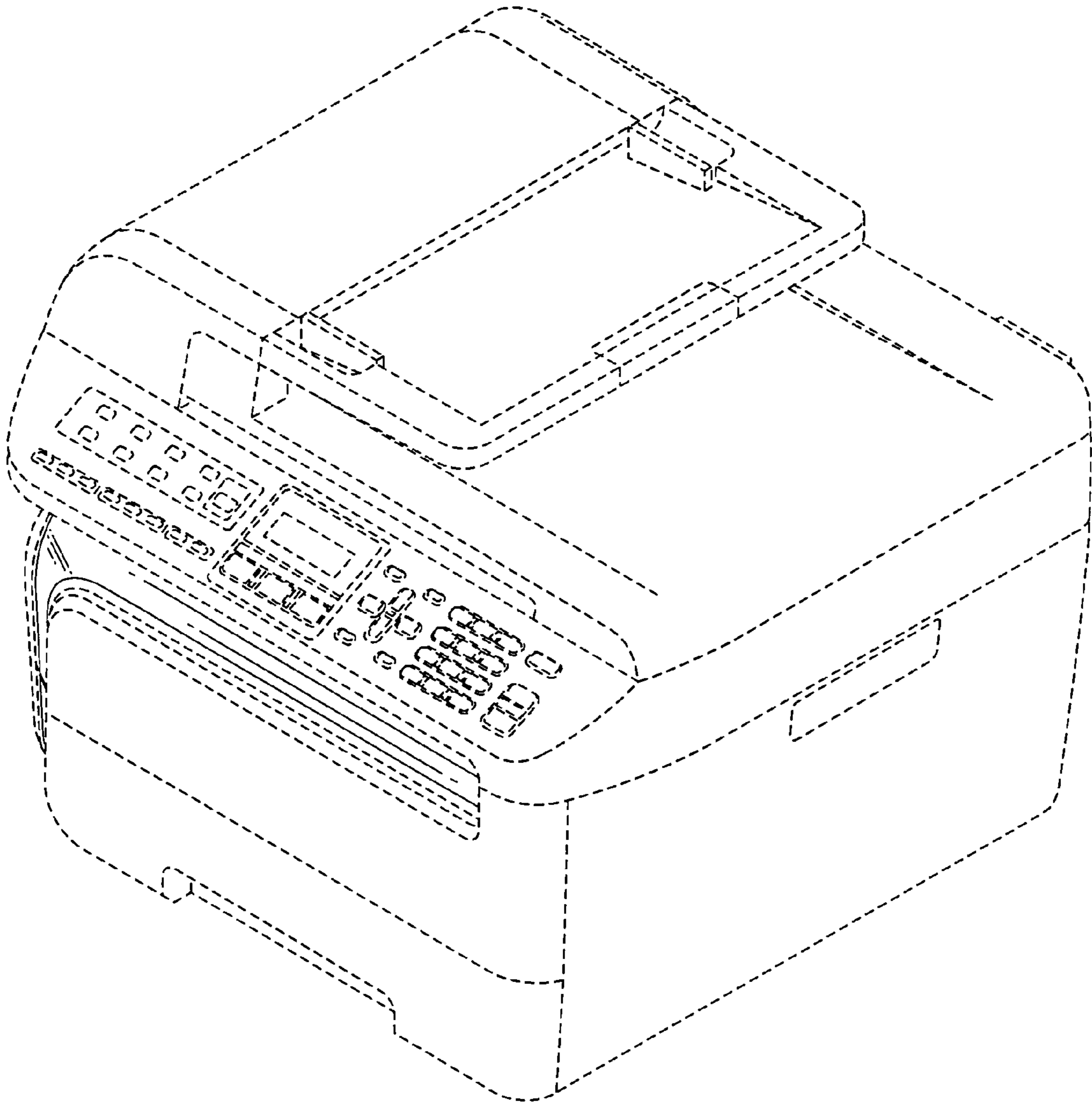


FIG. 1

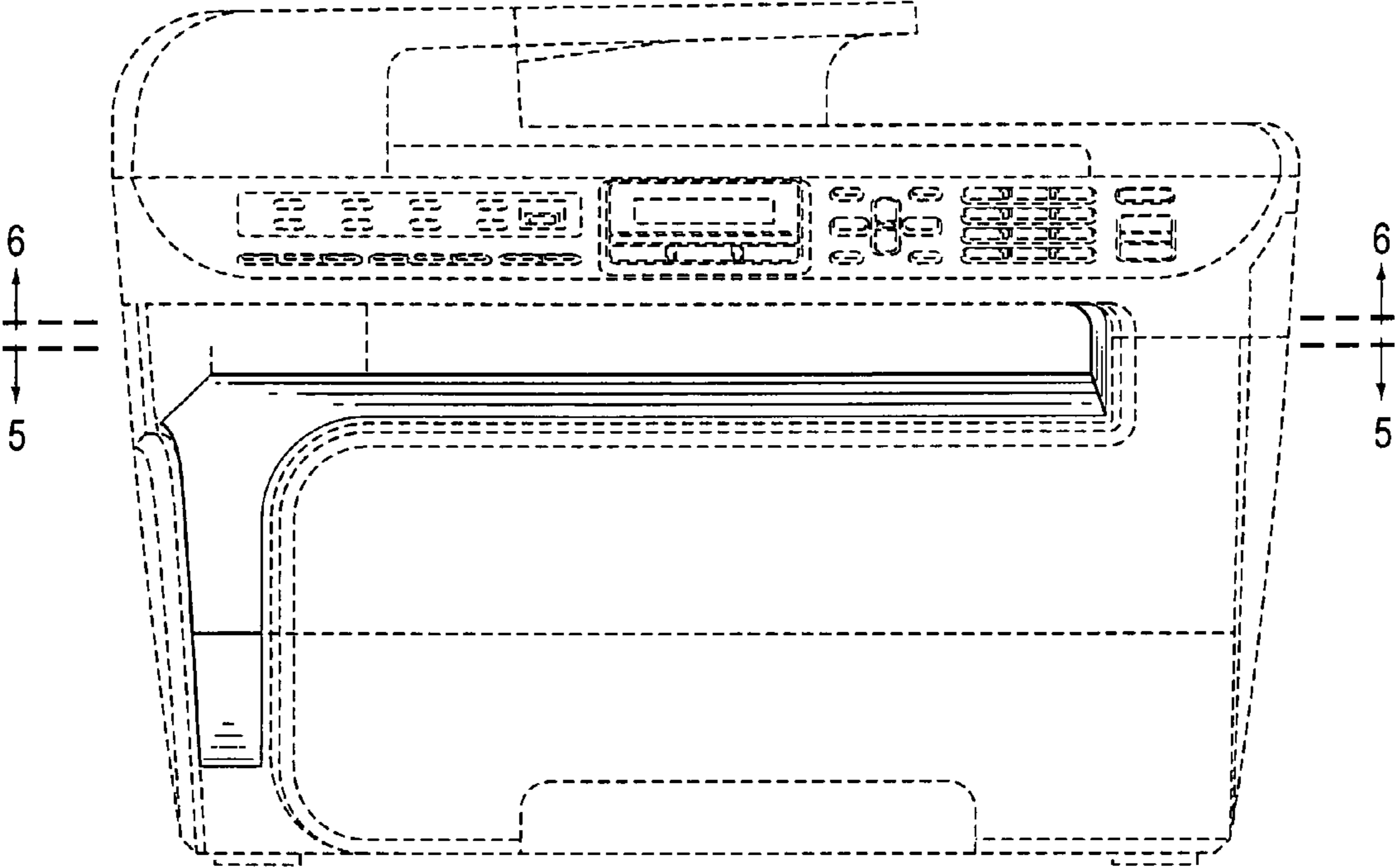


FIG. 2

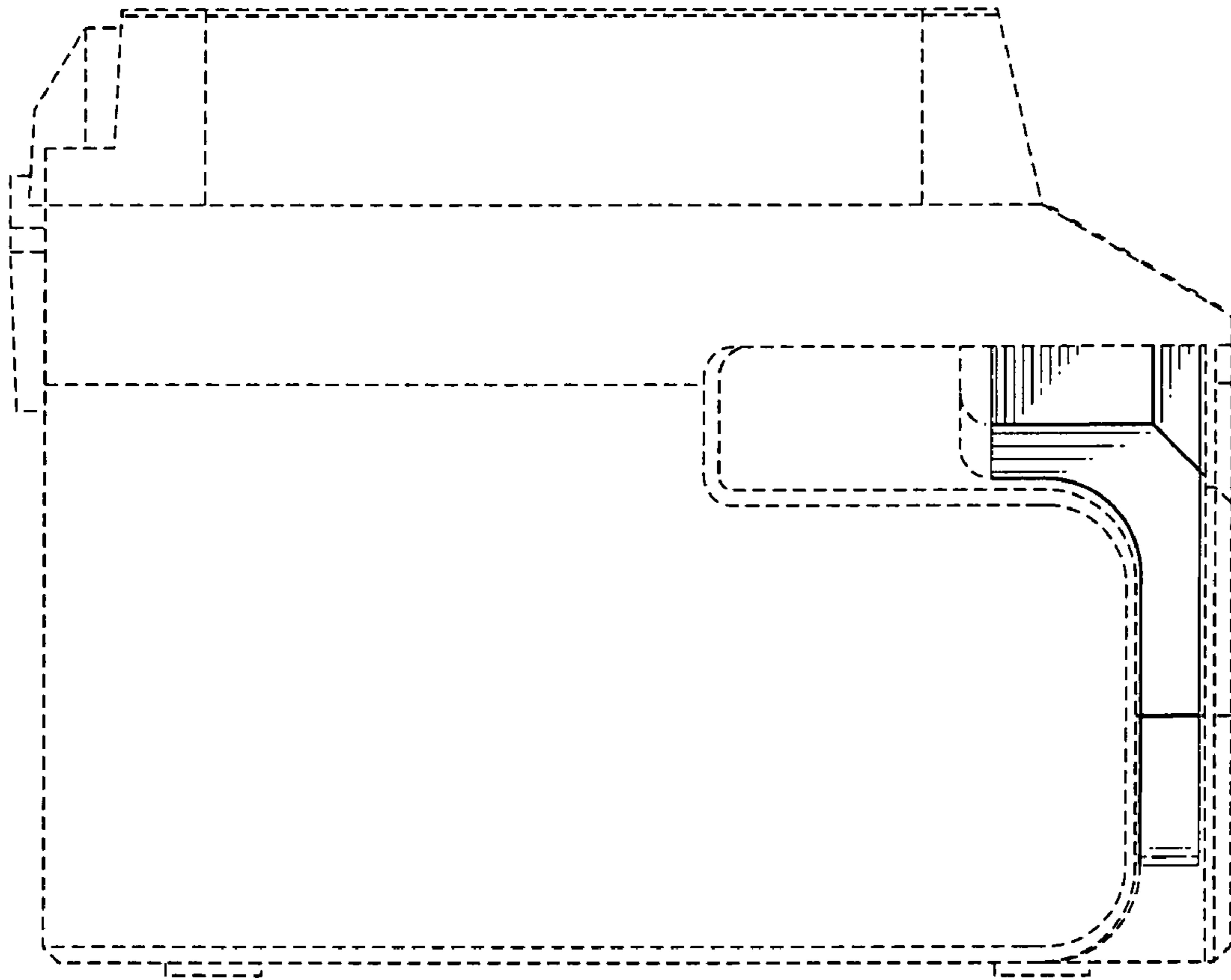


FIG. 3

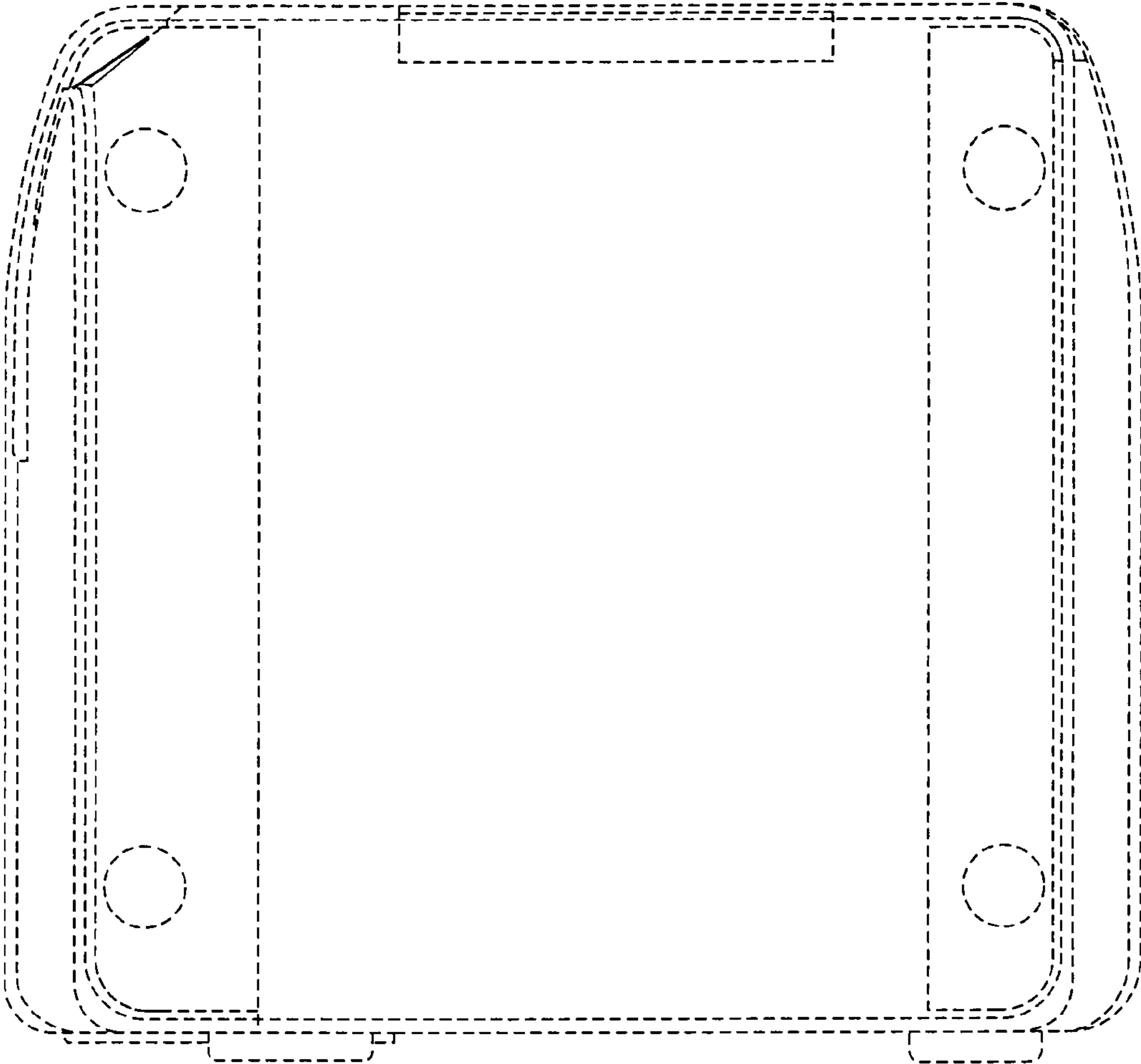


FIG. 4

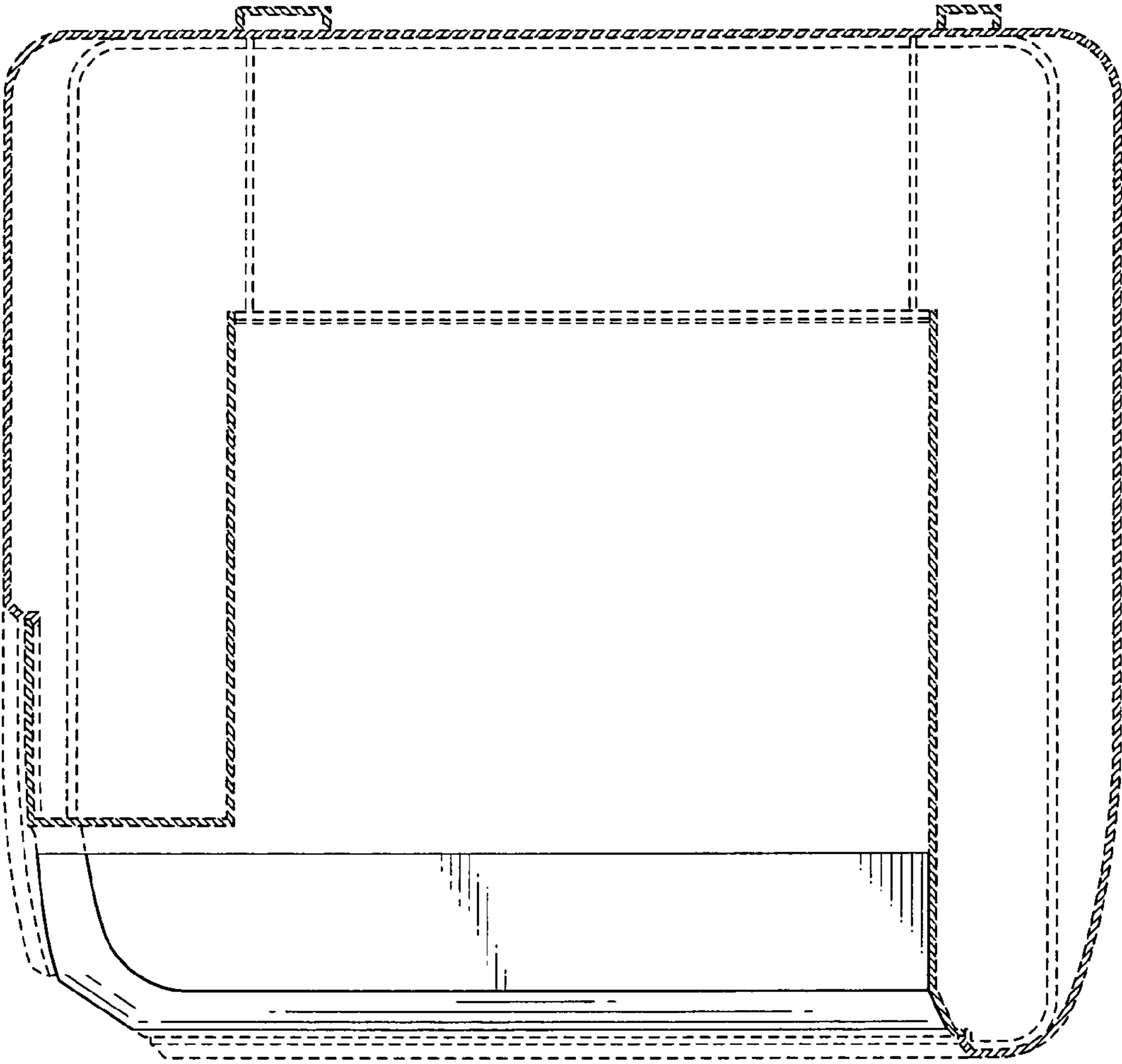


FIG. 5

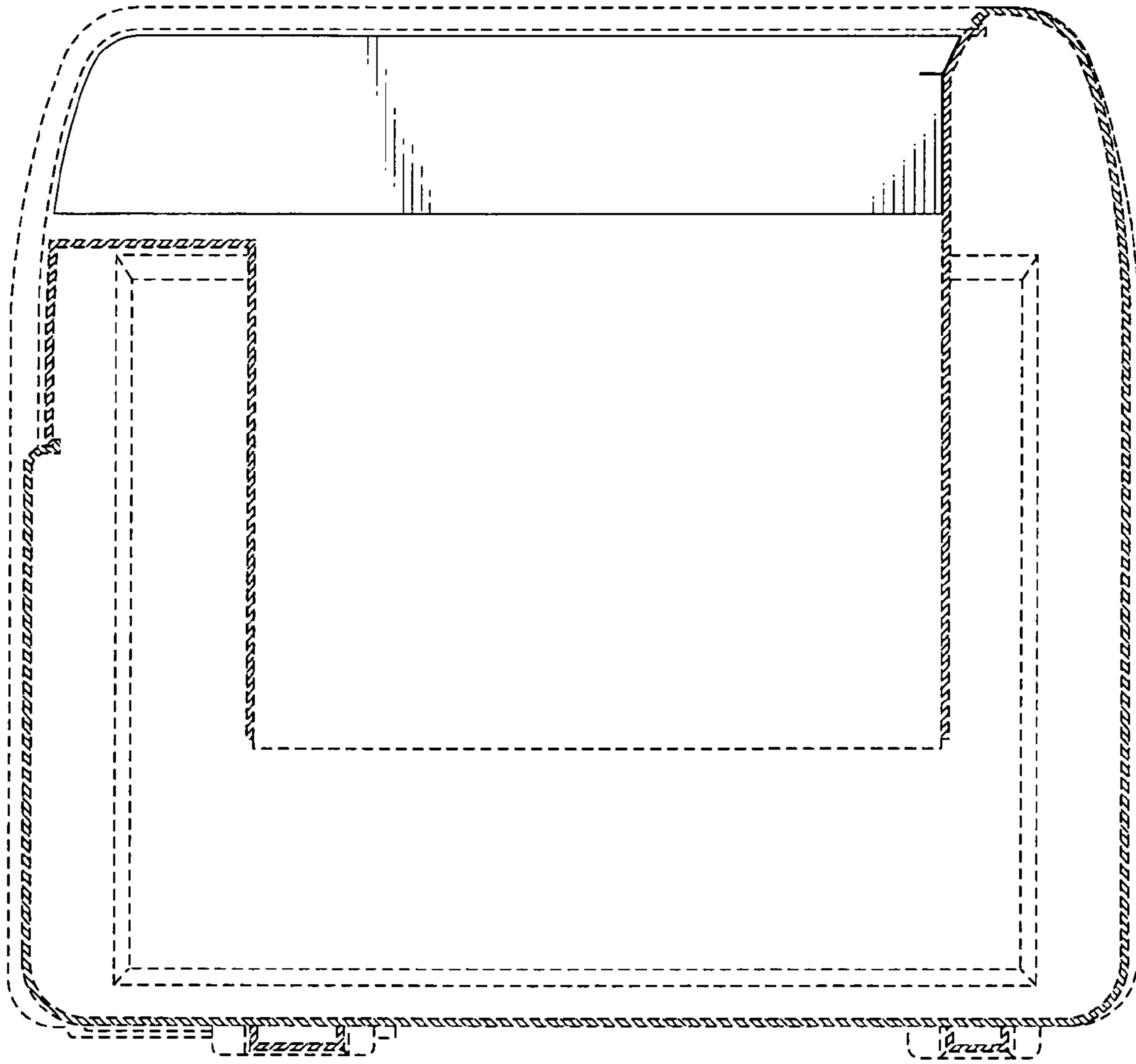


FIG. 6