



US00D579041S

(12) **United States Design Patent**
Nakao et al.

(10) **Patent No.:** **US D579,041 S**
(45) **Date of Patent:** **** Oct. 21, 2008**

(54) **ELECTRONIC CYMBAL**

(75) Inventors: **Koichi Nakao**, Hamamatsu (JP);
Yoshiaki Mori, Hamamatsu (JP)

(73) Assignee: **Roland Corporation**, Hamamatsu (JP)

(**) Term: **14 Years**

(21) Appl. No.: **29/266,078**

(22) Filed: **Sep. 13, 2006**

(30) **Foreign Application Priority Data**

Mar. 22, 2006 (JP) 2006-007062

(51) **LOC (8) Cl.** **17-04**

(52) **U.S. Cl.** **D17/22**

(58) **Field of Classification Search** D17/22;
84/106-107, 411 R, 411 P, 411 M, 414, 408,
84/422.1, 422.3, DIG. 12

See application file for complete search history.

(56) **References Cited**

U.S. PATENT DOCUMENTS

D405,460 S *	2/1999	Tobia, Jr.	D17/22
6,034,313 A *	3/2000	Shelley	84/422.3
D455,453 S *	4/2002	Fukuoka et al.	D17/22
D455,775 S *	4/2002	Fukuoka et al.	D17/22
6,417,434 B1 *	7/2002	Lao	84/422.3
D532,439 S *	11/2006	Scharte	D17/22

* cited by examiner

Primary Examiner—Adir Aronovich
Assistant Examiner—Anna J Burmeister

(74) *Attorney, Agent, or Firm*—Foley & Lardner LLP

(57) **CLAIM**

The ornamental design for an electronic cymbal, as shown and described.

DESCRIPTION

FIG. 1 is a top view of the electronic cymbal according to the claimed design;

FIG. 2 is a bottom view of the electronic cymbal according to the claimed design;

FIG. 3 is a front view of the electronic cymbal according to the claimed design;

FIG. 4 is a rear view of the electronic cymbal according to the claimed design;

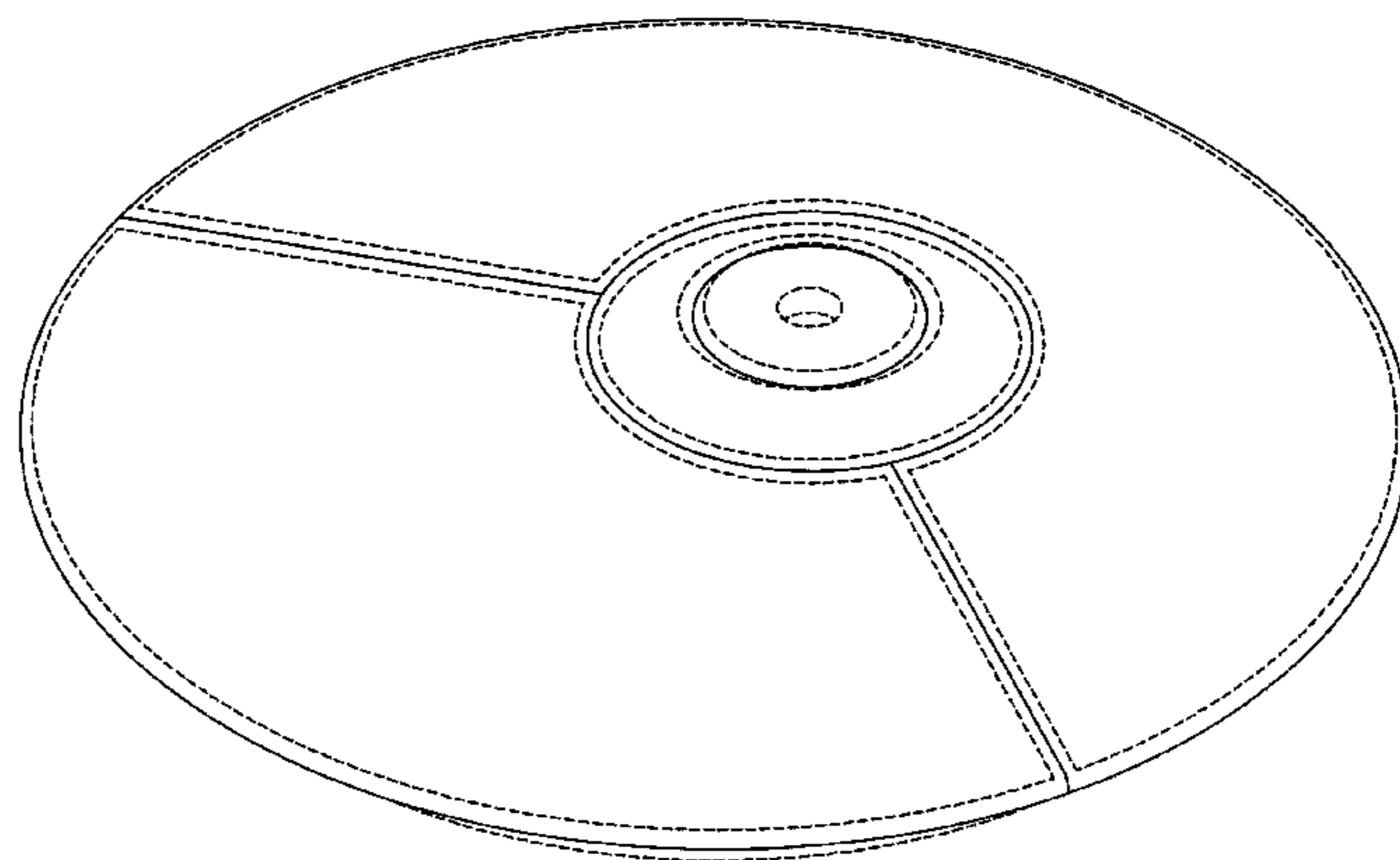
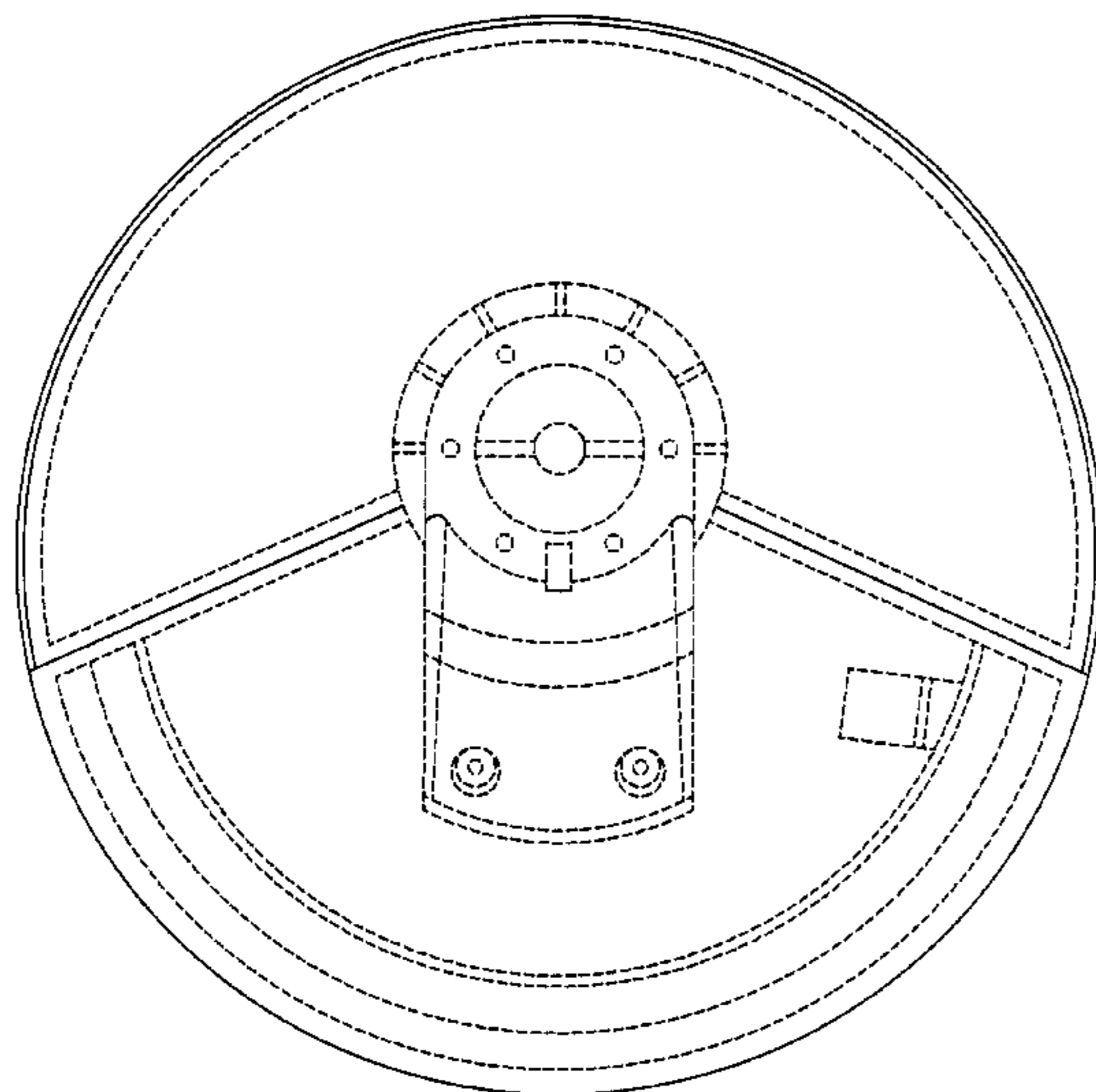
FIG. 5 is a left-side surface view of the electronic cymbal according to the claimed design;

FIG. 6 is a right-side view of the electronic cymbal according to the claimed design; and,

FIG. 7 is a perspective view of the electronic cymbal according to the claimed design.

The ornamental design which is claimed is shown in solid lines in the drawings. The broken lines in the drawings are for illustrative purposes only and form no part of the claimed design.

1 Claim, 5 Drawing Sheets



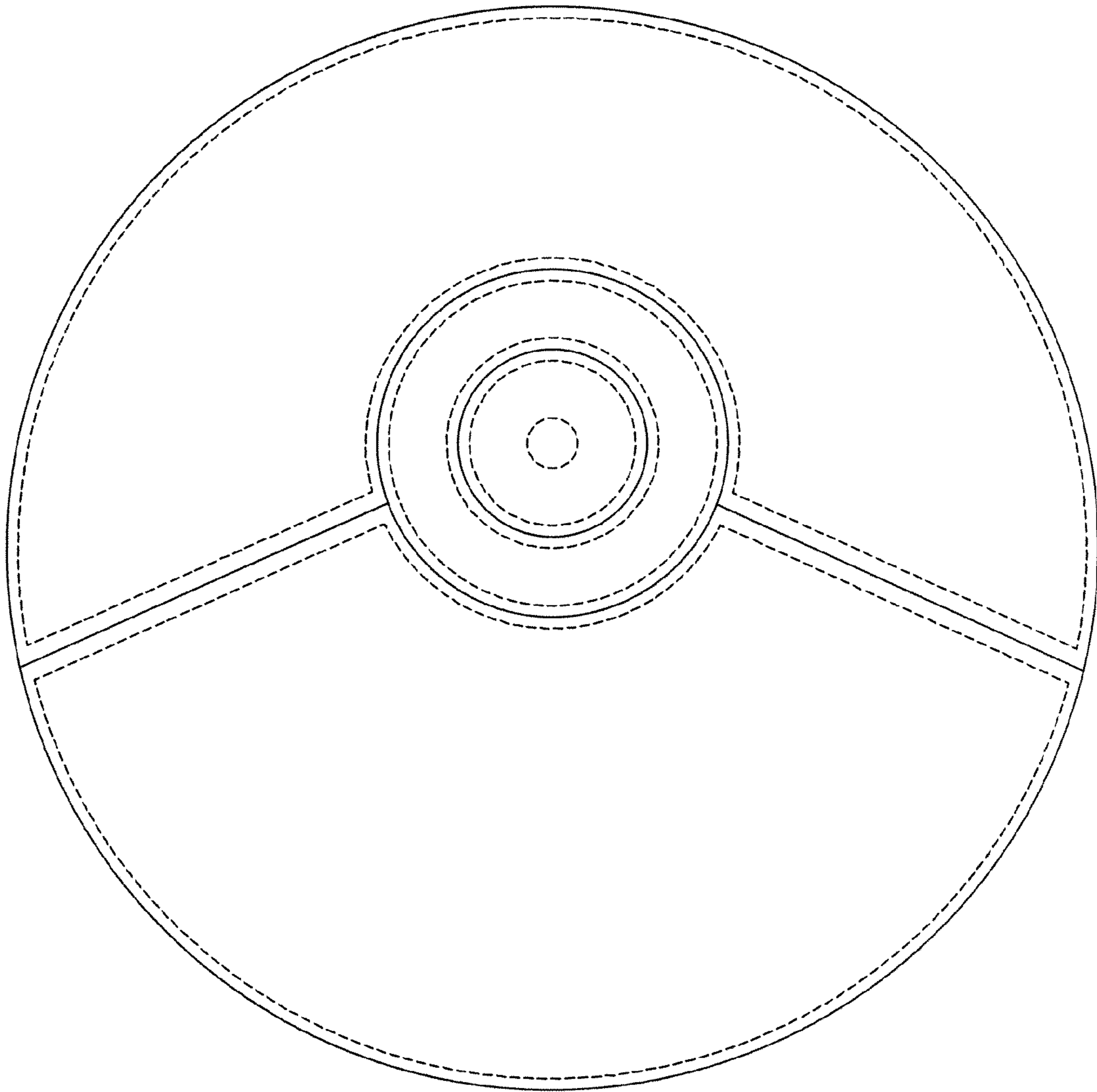


FIG. 1

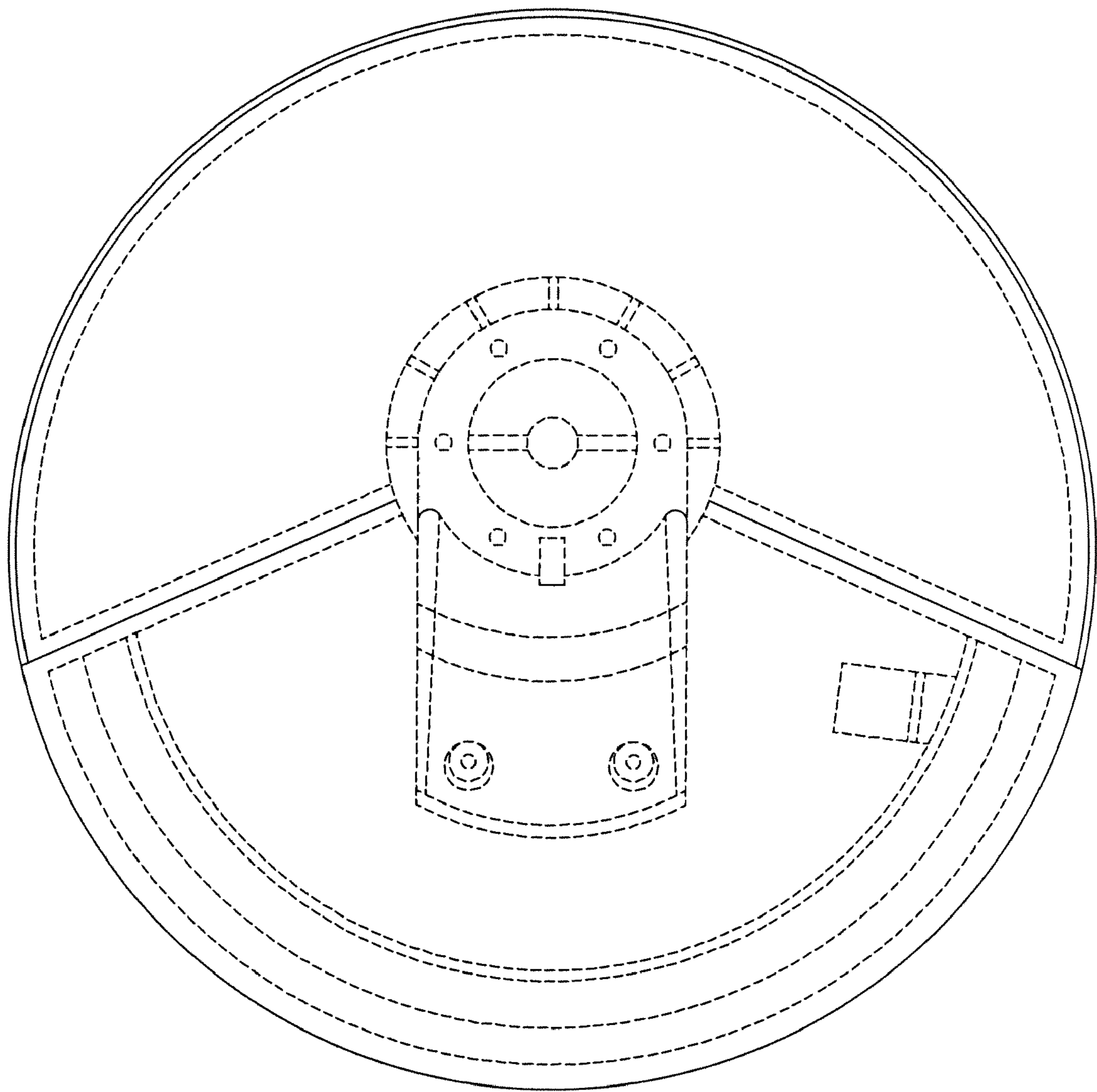


FIG. 2

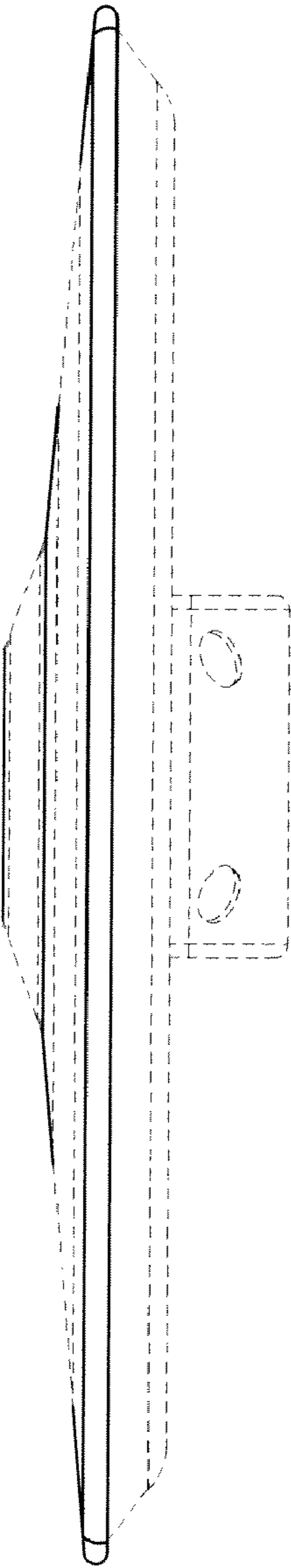


FIG. 3

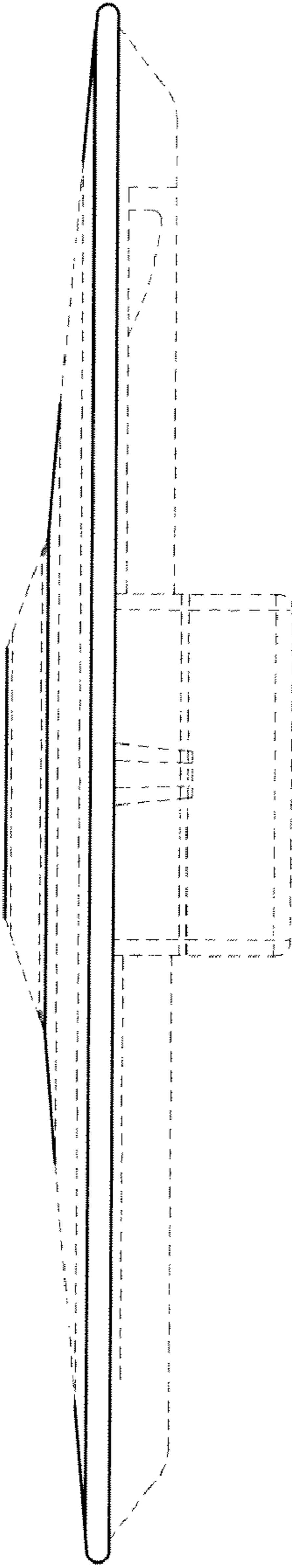


FIG. 4

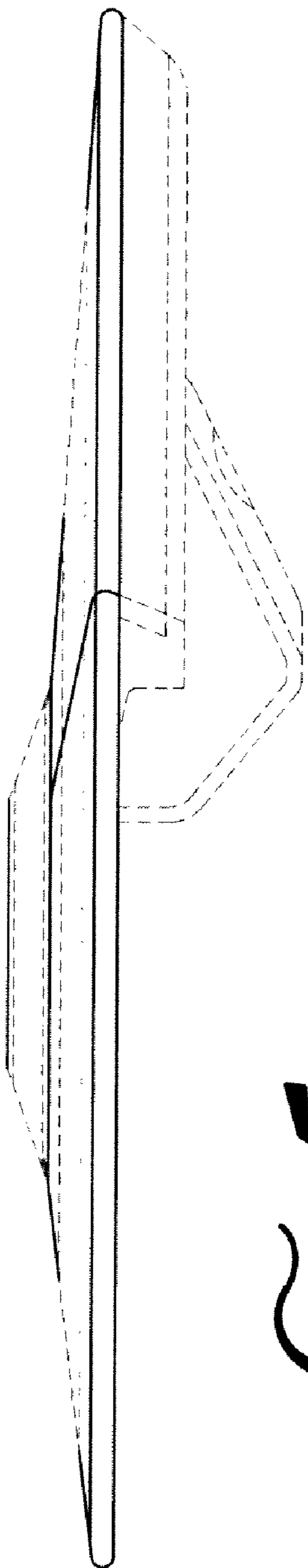


Fig. 5

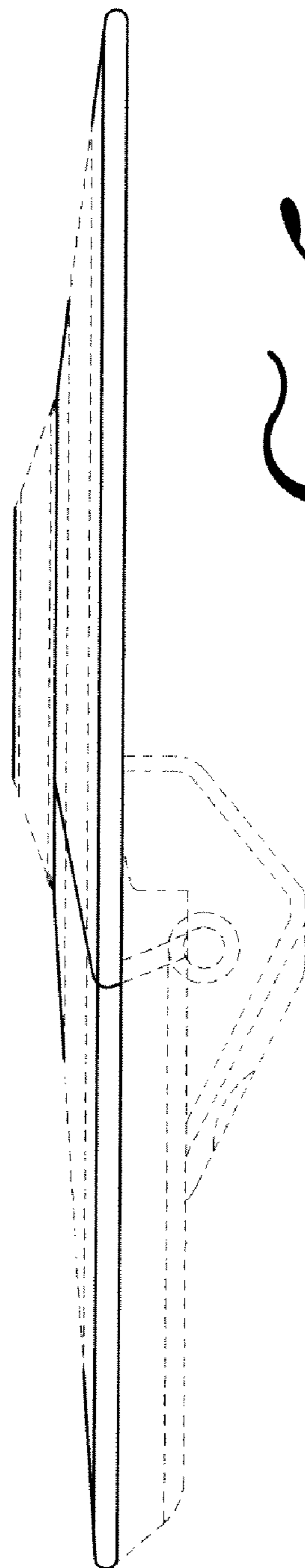


Fig. 6

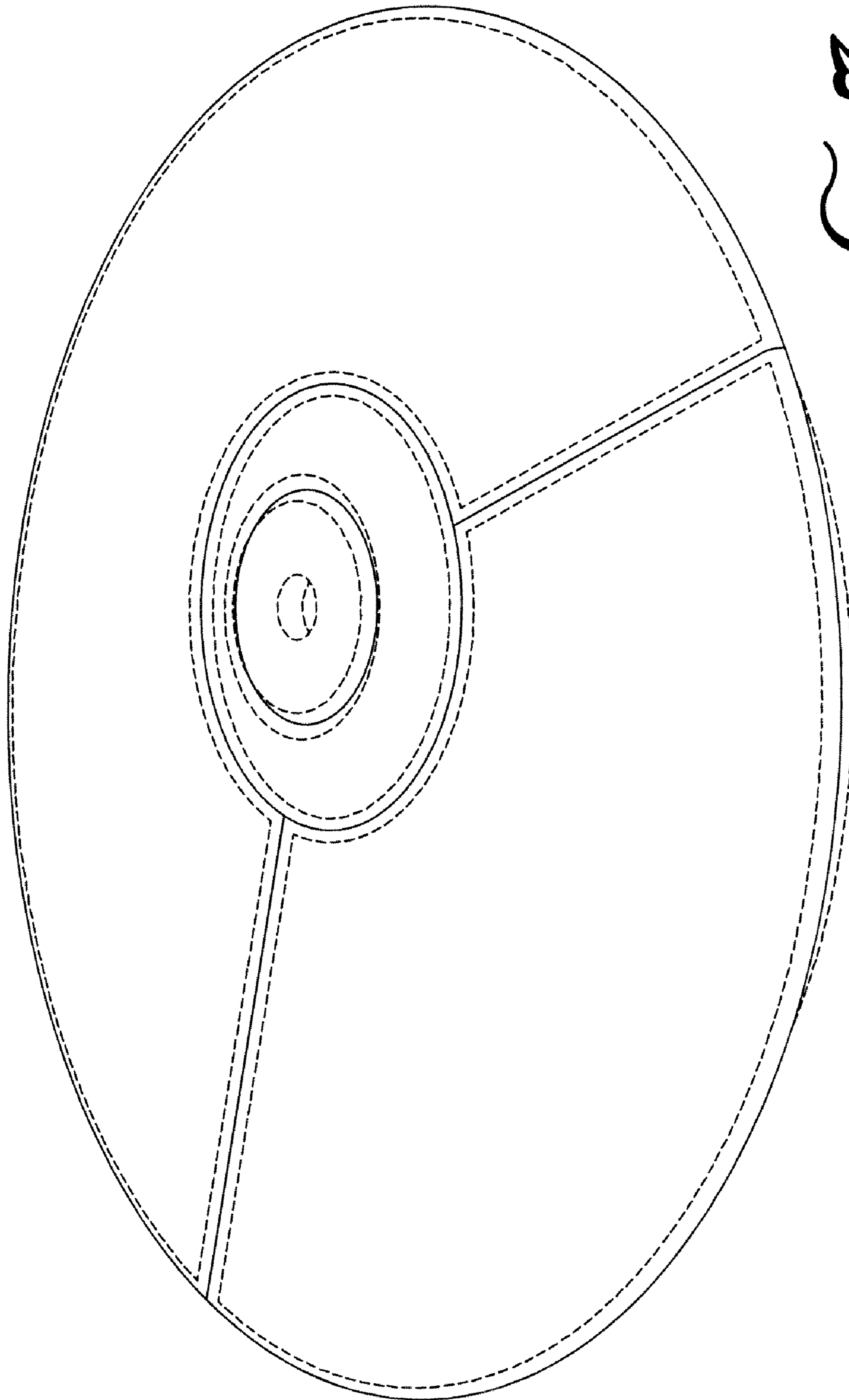


FIG. 7