



US00D579039S

(12) **United States Design Patent**  
**Nakamura**

(10) **Patent No.:** **US D579,039 S**  
(45) **Date of Patent:** **\*\* Oct. 21, 2008**

(54) **DIGITAL STILL CAMERA**

(75) Inventor: **Makoto Nakamura**, Kadoma (JP)

(73) Assignee: **Matsushita Electric Industrial Co., Ltd.**, Osaka (JP)

(\*\*) Term: **14 Years**

(21) Appl. No.: **29/297,308**

(22) Filed: **Nov. 8, 2007**

(30) **Foreign Application Priority Data**

Jun. 4, 2007 (JP) ..... 2007-014769

(51) **LOC (8) Cl.** ..... **16-01**

(52) **U.S. Cl.** ..... **D16/202; D16/206**

(58) **Field of Classification Search** ..... D16/200–206,  
D16/218; 348/373–376; 358/906, 909; 396/176,  
396/177, 535–541

See application file for complete search history.

(56) **References Cited**

**U.S. PATENT DOCUMENTS**

D329,656 S	9/1992	Shishikura	
D444,163 S *	6/2001	Yoshida	D16/202
D493,809 S *	8/2004	Ogura	D16/202
D494,202 S *	8/2004	Nakamura	D16/202
D528,580 S *	9/2006	Sumita	D16/206
D537,857 S *	3/2007	Nakamura	D16/202

D547,783 S *	7/2007	Sakai	D16/202
D565,623 S *	4/2008	Yasutomi	D16/206
D567,835 S *	4/2008	Sumita	D16/206
2006/0222357 A1 *	10/2006	Tomimoto	396/177

**OTHER PUBLICATIONS**

Panasonic, "Model DMC-FZ7—Digitalkameras Frühjahr 2006", *Brochure*, Panasonic, 2006, 2 pages.

\* cited by examiner

*Primary Examiner*—Adir Aronovich

(74) *Attorney, Agent, or Firm*—Brinks Hofer Gilson & Lione

(57) **CLAIM**

I claim the ornamental design for a digital still camera, as shown and described.

**DESCRIPTION**

FIG. 1 is a front perspective view of a digital still camera of the present invention;

FIG. 2 is a front view thereof;

FIG. 3 is a top view thereof;

FIG. 4 is a bottom view thereof;

FIG. 5 is a left side view thereof; and,

FIG. 6 is a right side view thereof.

FIG. 7 is a rear view thereof.

**1 Claim, 4 Drawing Sheets**

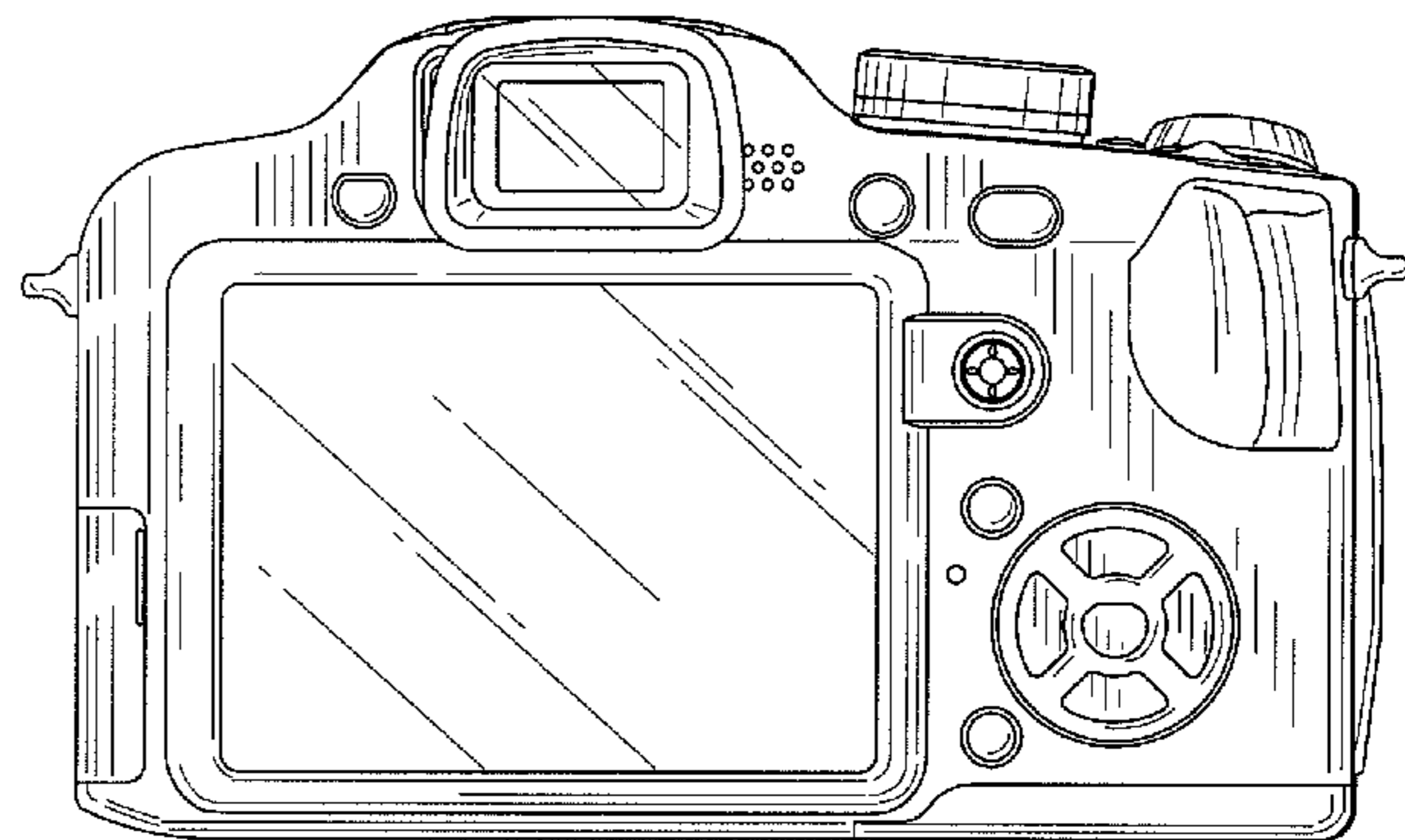
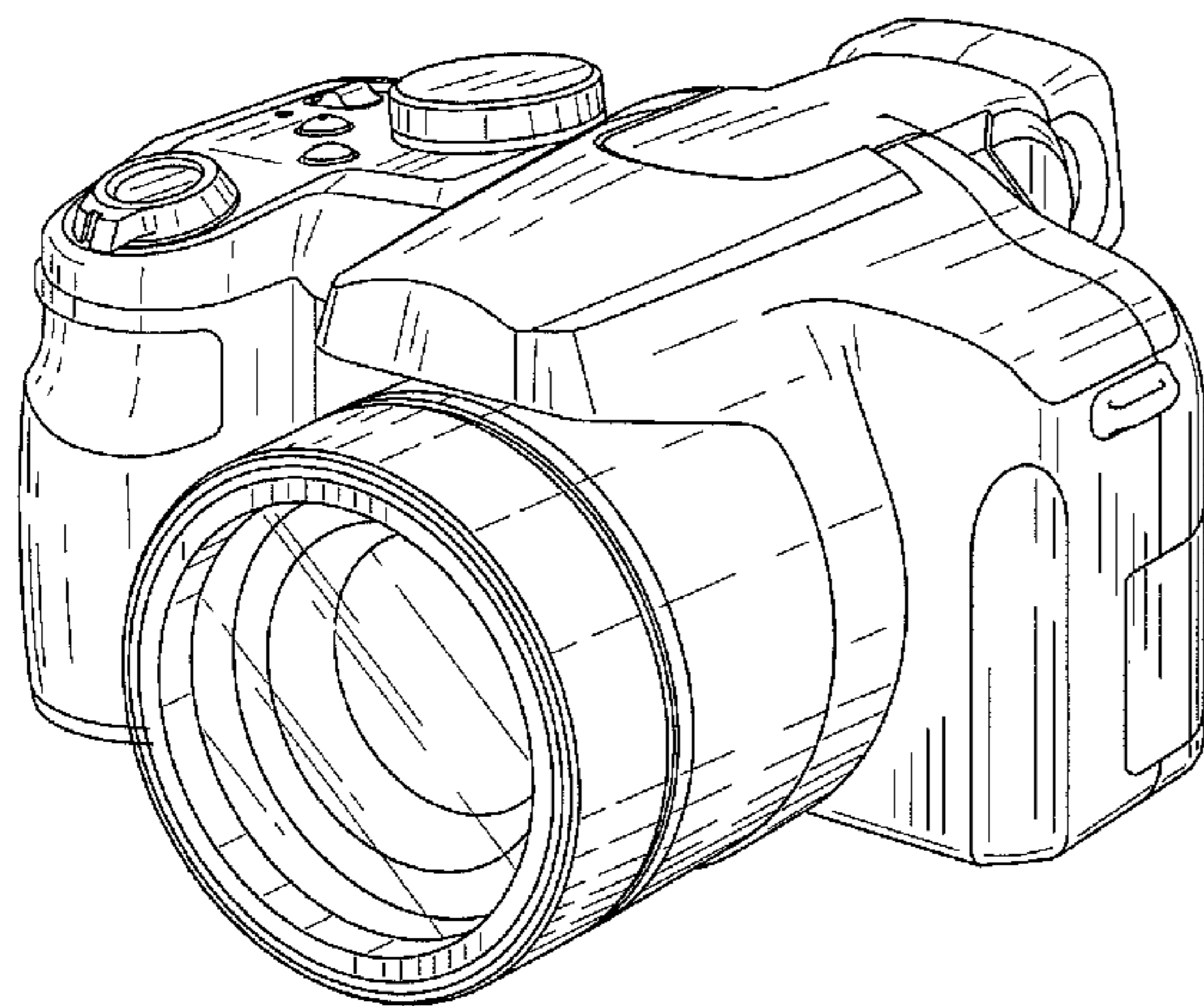


FIG.1

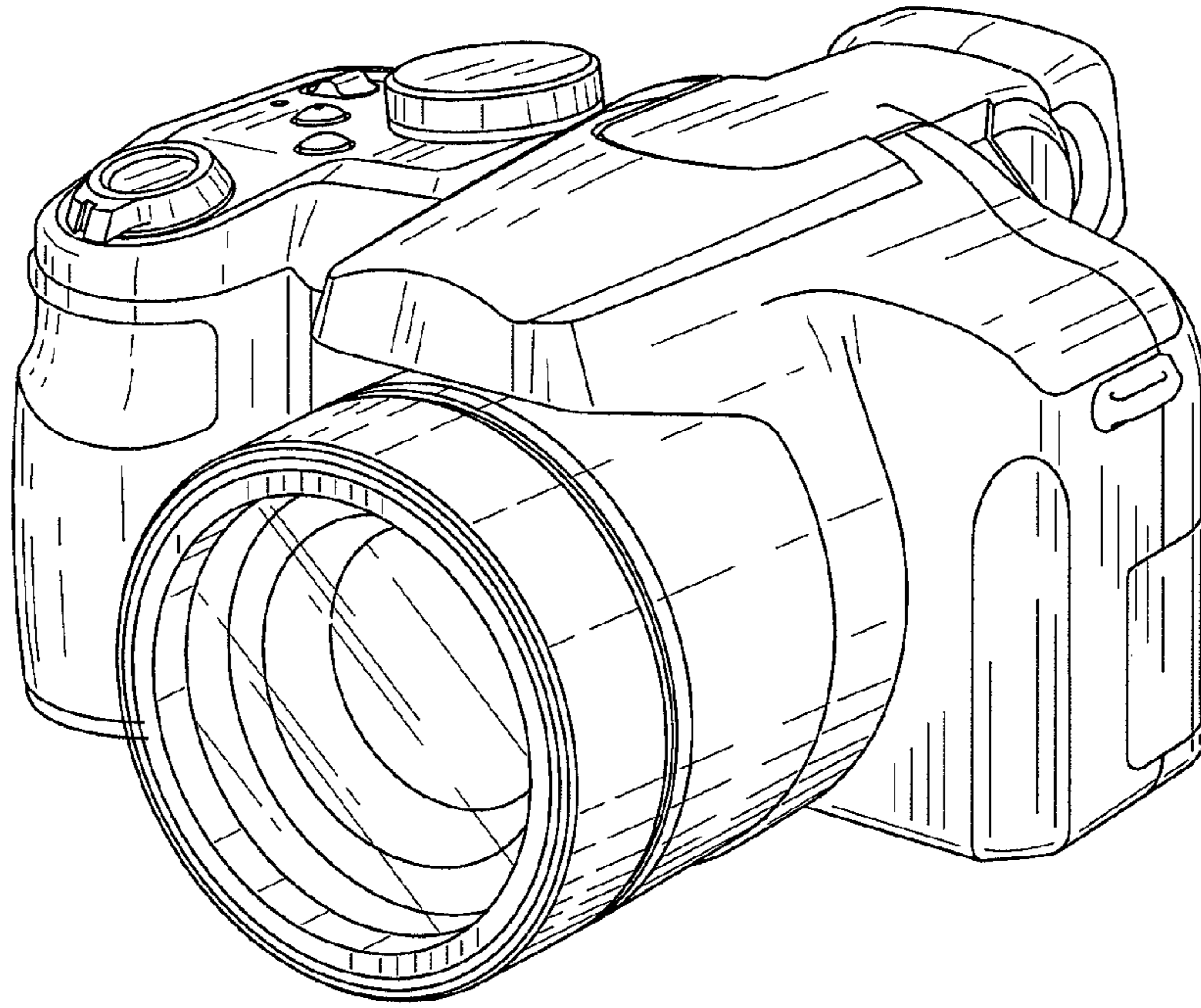


FIG.2

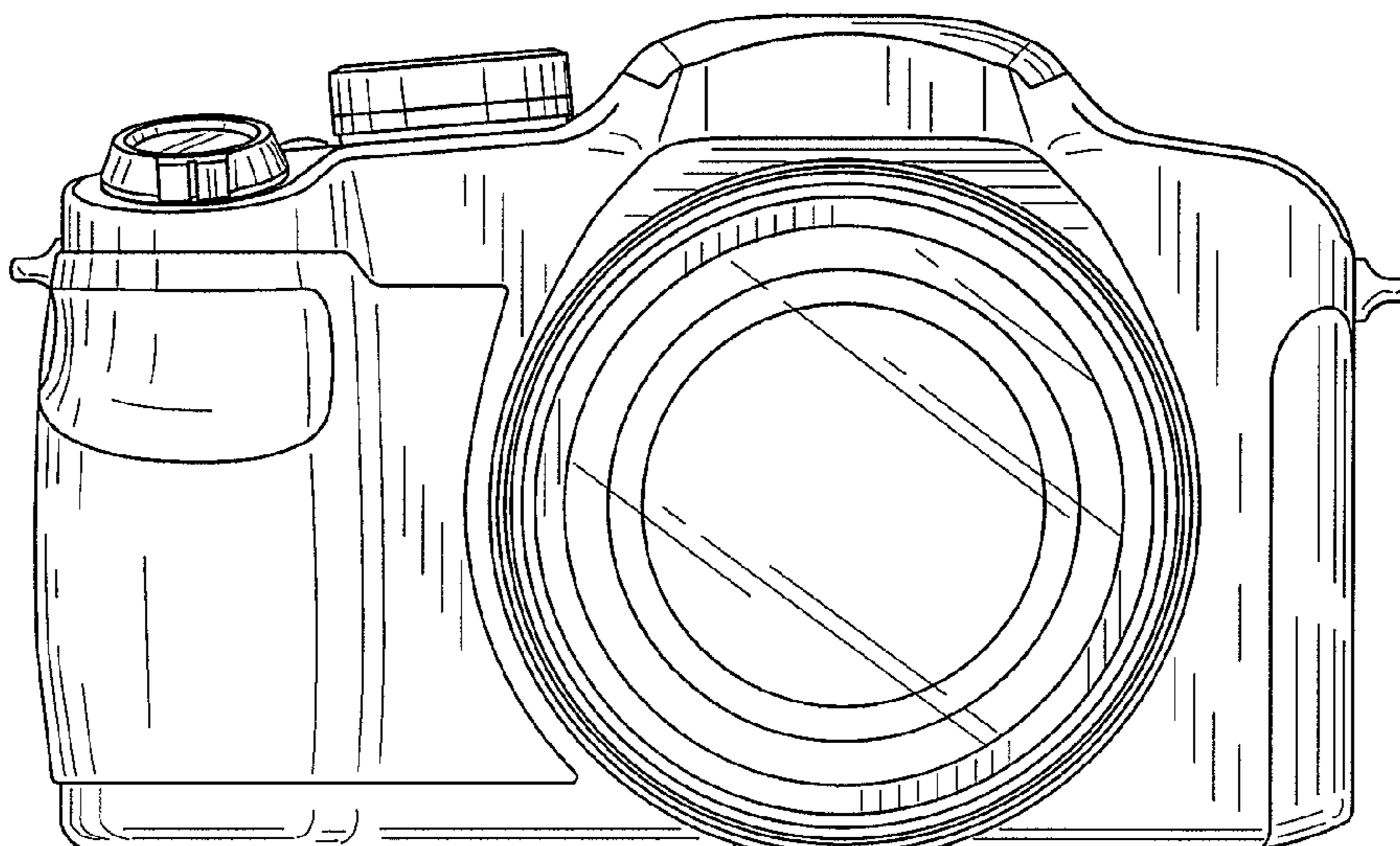


FIG.3

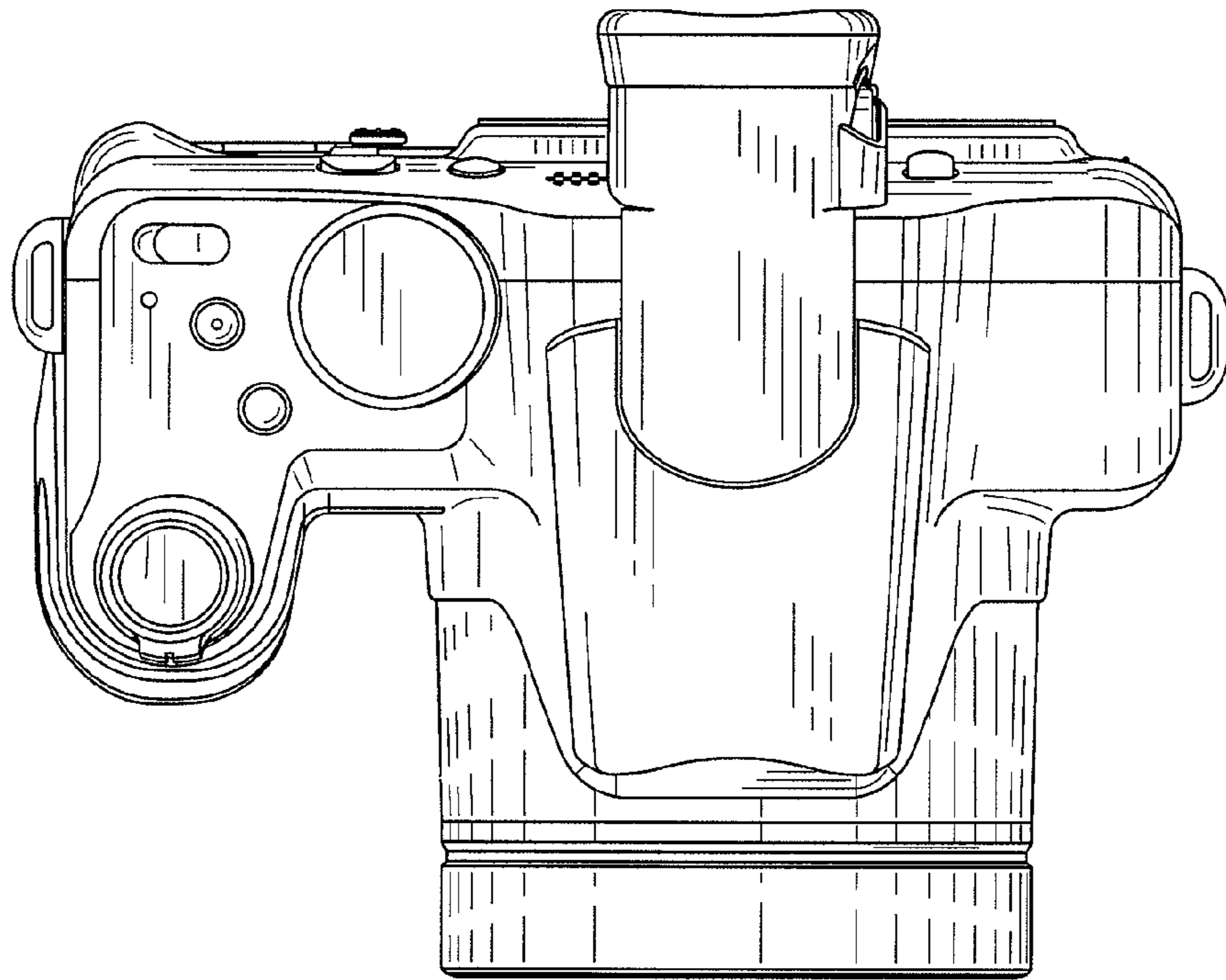


FIG.4

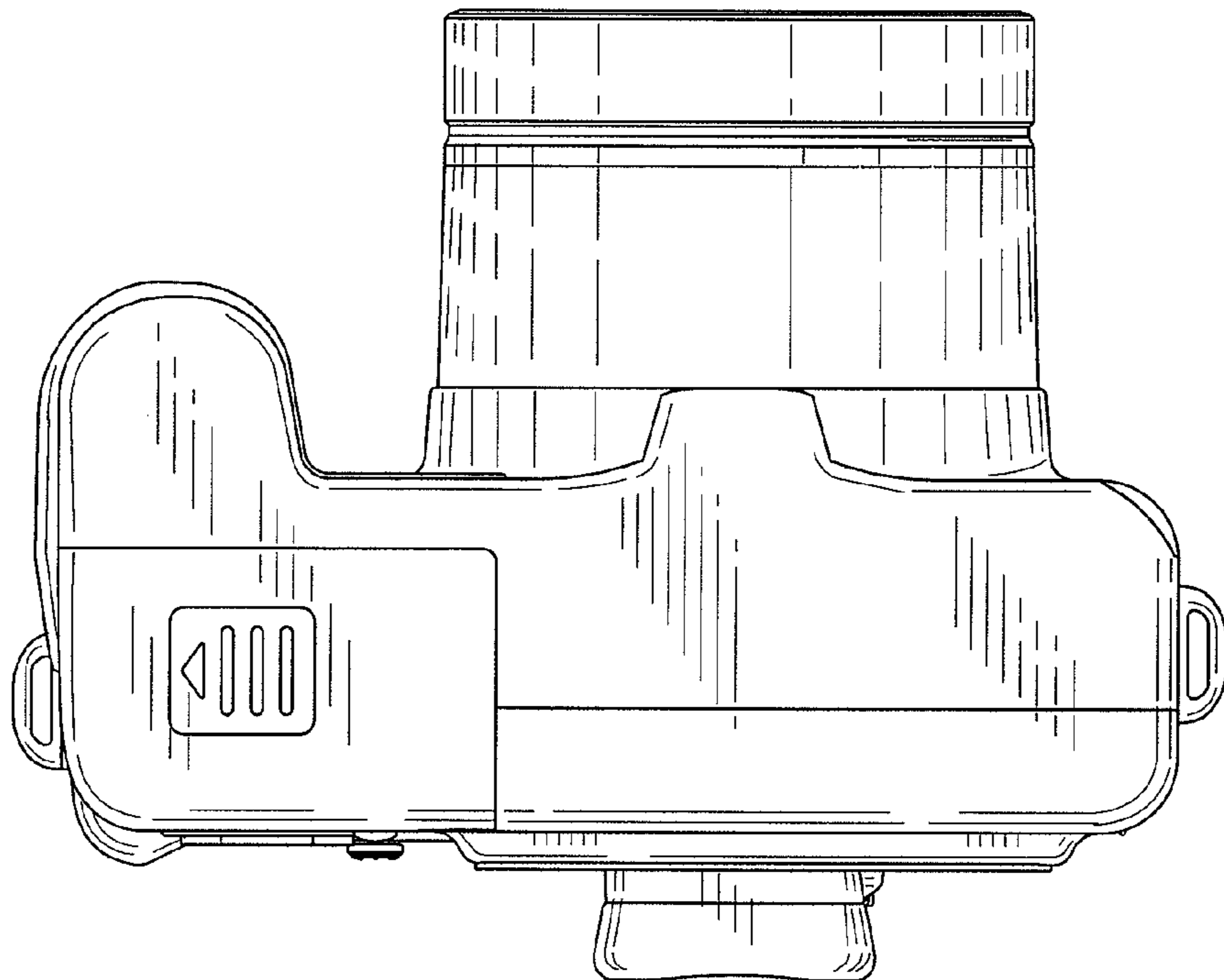




FIG.5

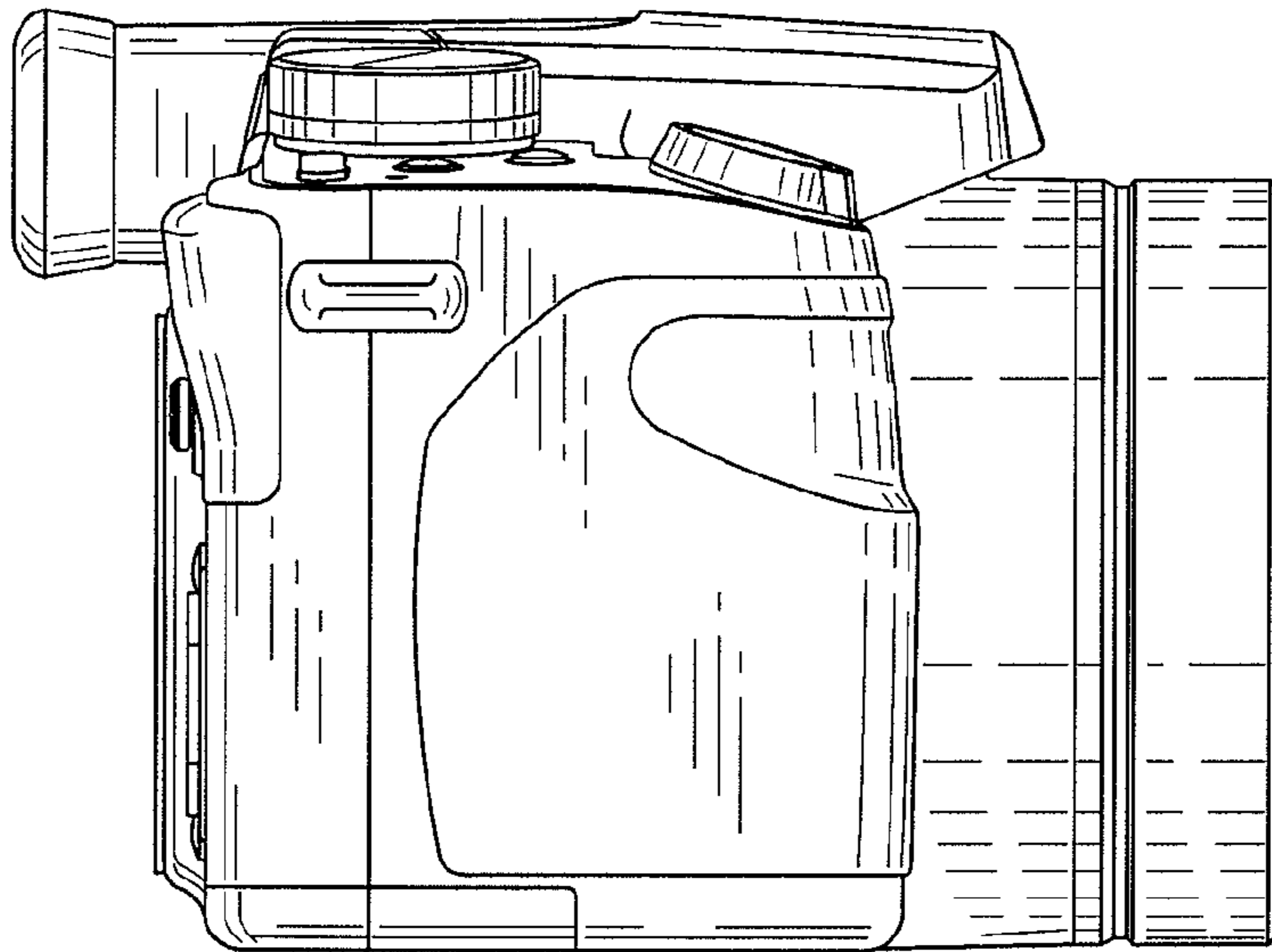


FIG.6

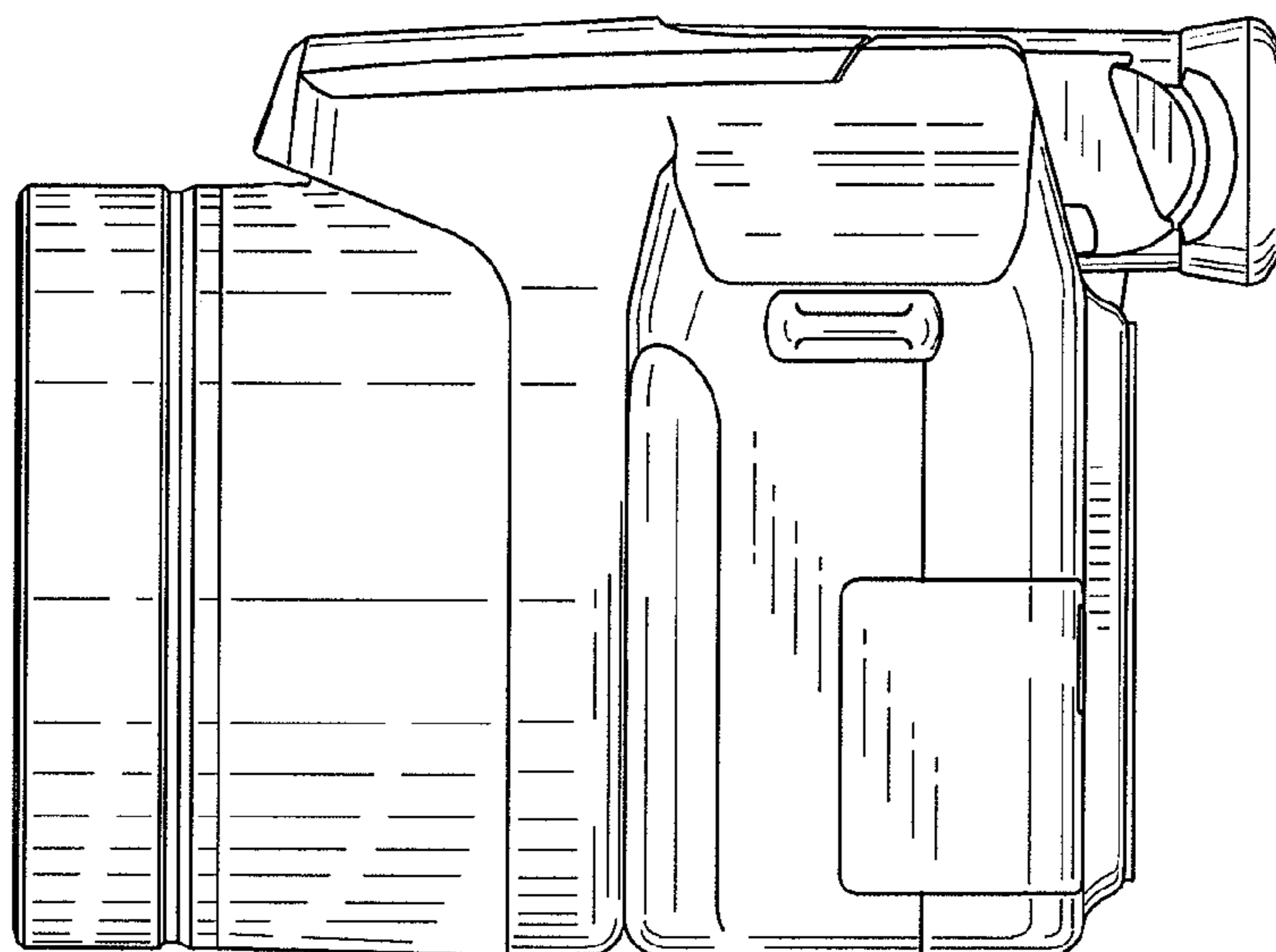


FIG.7

