



US00D579037S

(12) **United States Design Patent**
Kerrod et al.

(10) **Patent No.:** **US D579,037 S**
(45) **Date of Patent:** **** Oct. 21, 2008**

(54) **APPARATUS FOR DEPOSITING CELL SAMPLE ON MICROSCOPIC SLIDE**

(76) Inventors: **Ian Kerrod**, 3 Fielding Close,
Hawarden, Flintshire (GB) CH5 3UO;
Peter Lomas, 57 Rosefield Avenue,
Bebington, Wirral (GB) CH63 5JN

(**) Term: **14 Years**

(21) Appl. No.: **29/294,990**

(22) Filed: **Feb. 5, 2008**

Related U.S. Application Data

(60) Division of application No. 29/221,756, filed on Jan. 19, 2005, now Pat. No. Des. 572,283, which is a continuation-in-part of application No. 29/196,265, filed on Dec. 22, 2003, now Pat. No. Des. 502,953.

(30) **Foreign Application Priority Data**

Jul. 7, 2003 (EP) 51370

(51) **LOC (8) Cl.** **16-06**

(52) **U.S. Cl.** **D16/131**

(58) **Field of Classification Search** D16/130,
D16/131; D10/81; D24/224, 121, 216; 356/246;
422/58, 61, 101, 102; 604/294; 436/518
See application file for complete search history.

(56) **References Cited**

U.S. PATENT DOCUMENTS

3,799,742 A * 3/1974 Coleman 422/61
4,227,810 A * 10/1980 Sandrock et al. 356/246

D311,876 S * 11/1990 Kiegami D24/224
5,084,397 A * 1/1992 Siddons et al. 436/518
5,127,537 A * 7/1992 Graham 422/102
D409,758 S * 5/1999 Warden et al. D24/216
D430,291 S * 8/2000 Jansen et al. D24/121
D433,150 S * 10/2000 Wahlqvist et al. D24/224
6,440,371 B1 * 8/2002 Dumitrescu et al. 422/101
D502,268 S * 2/2005 Sakai et al. D24/224
D510,769 S * 10/2005 Bublewitz et al. D24/224
D572,283 S * 7/2008 Kerrod et al. D16/131

* cited by examiner

Primary Examiner—Paula A Greene

(74) *Attorney, Agent, or Firm*—Clifford A. Poff

(57) **CLAIM**

The ornamental design for apparatus for depositing cell samples on microscopic slide, as shown and described.

DESCRIPTION

FIG. 1 is a front perspective view from a left side of an apparatus for depositing cell samples on microscopic slide showing our design,

FIG. 2 is a front elevational view of the apparatus for depositing cell samples on microscopic slide shown in FIG. 1,

FIG. 3 is a right side view thereof,

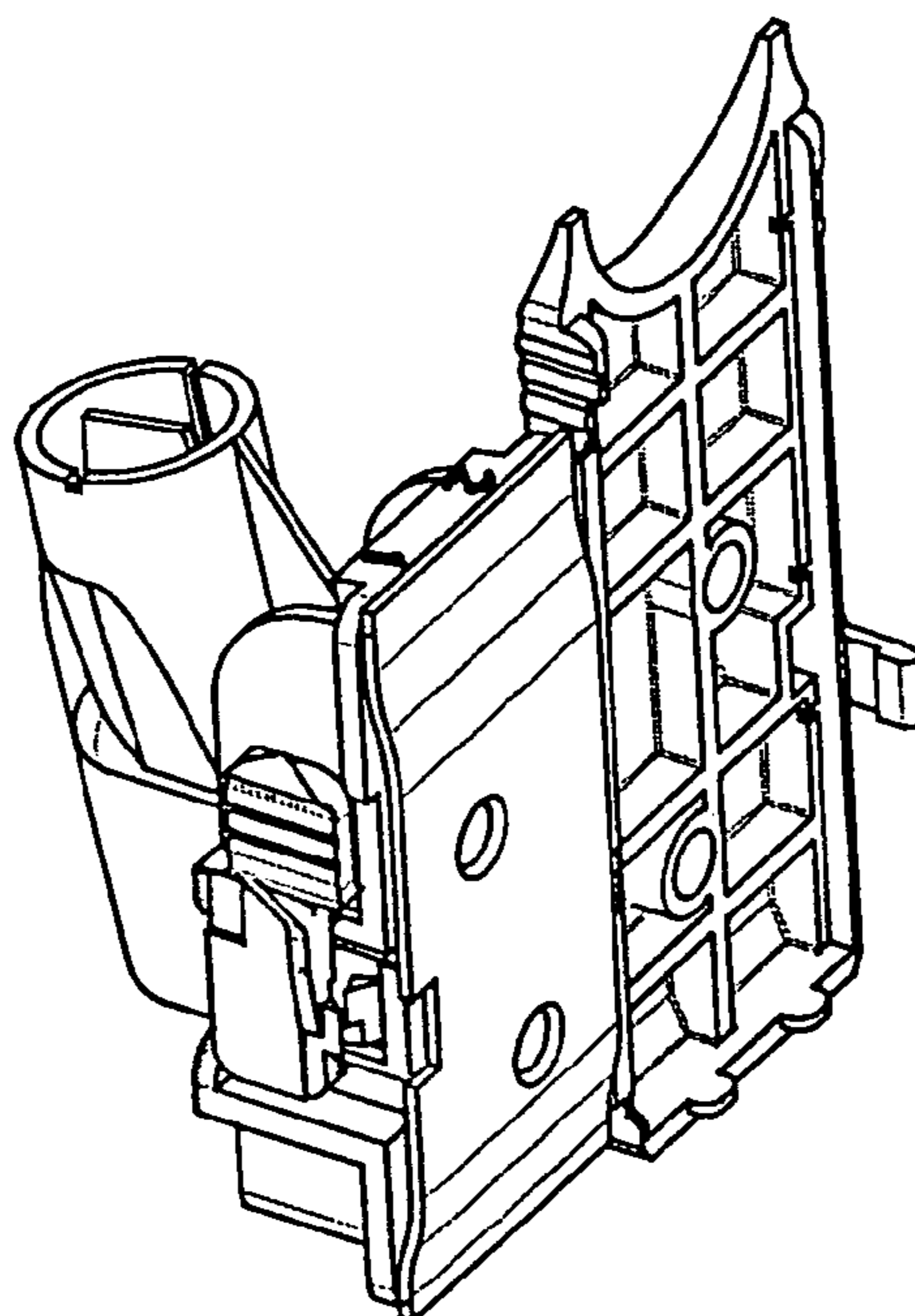
FIG. 4 is a left side view thereof,

FIG. 5 is a top plan view thereof,

FIG. 6 is a bottom plan thereof; and,

FIG. 7 is a rear elevation view thereof.

1 Claim, 4 Drawing Sheets



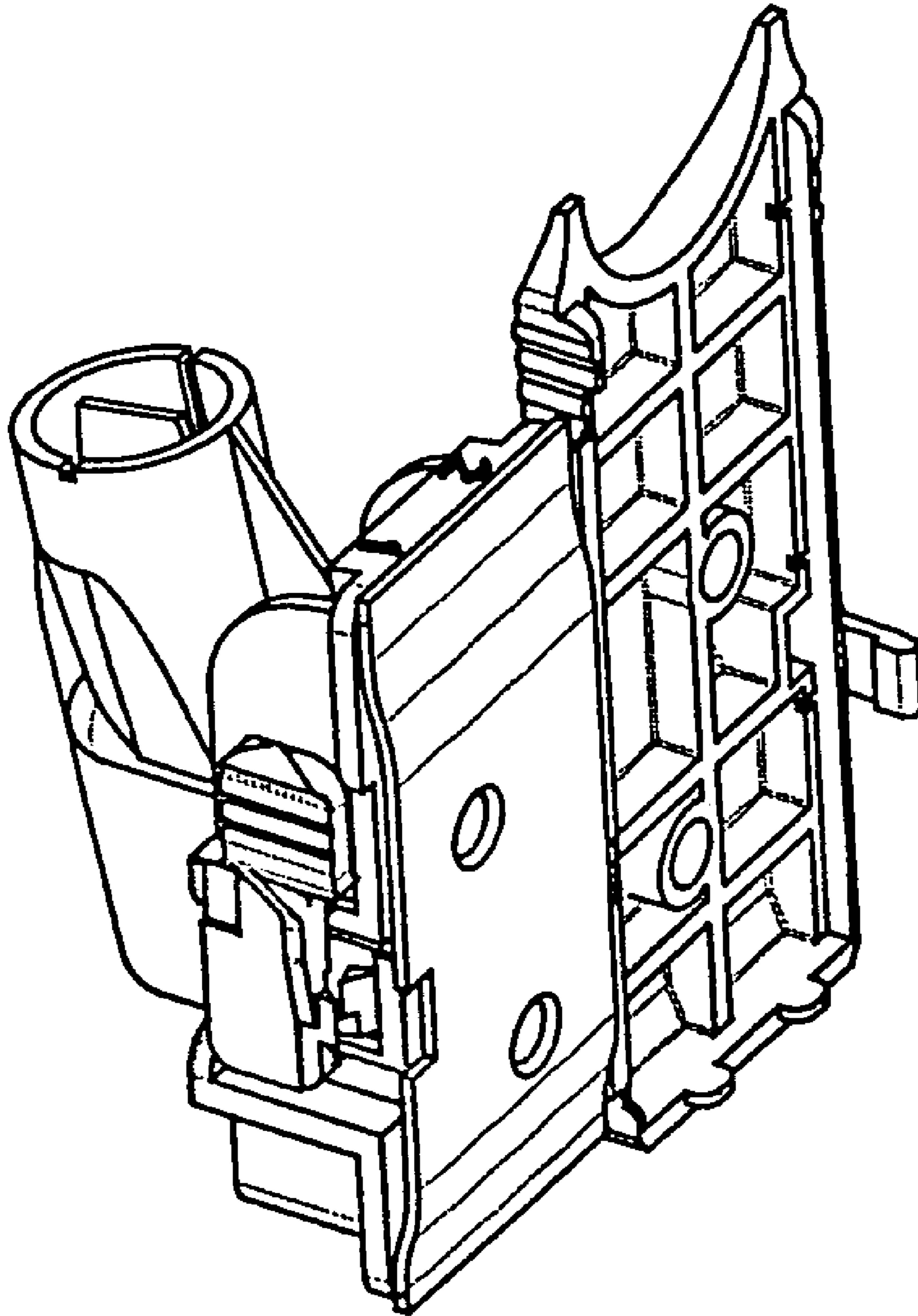


Figure 1

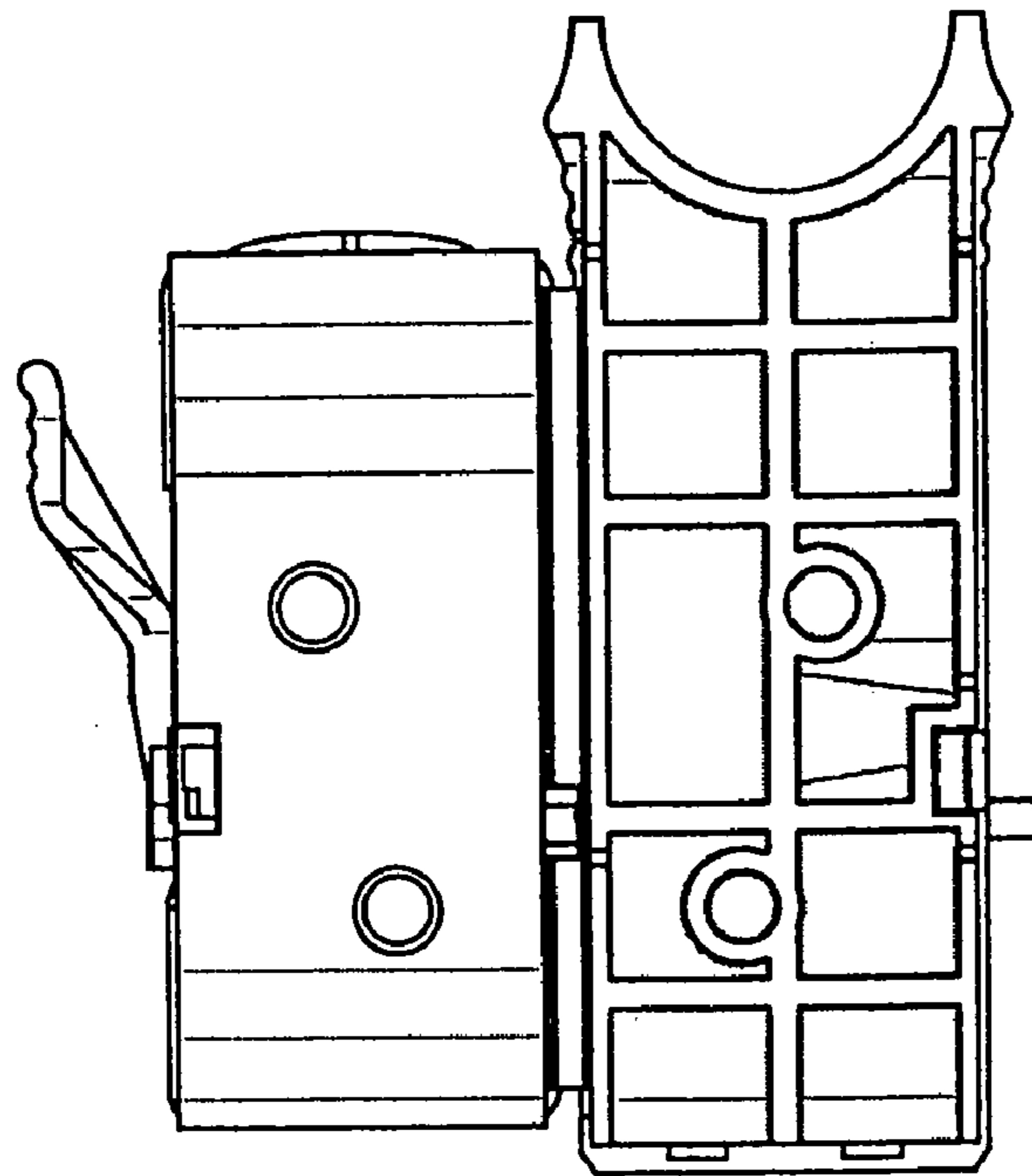


Figure 2

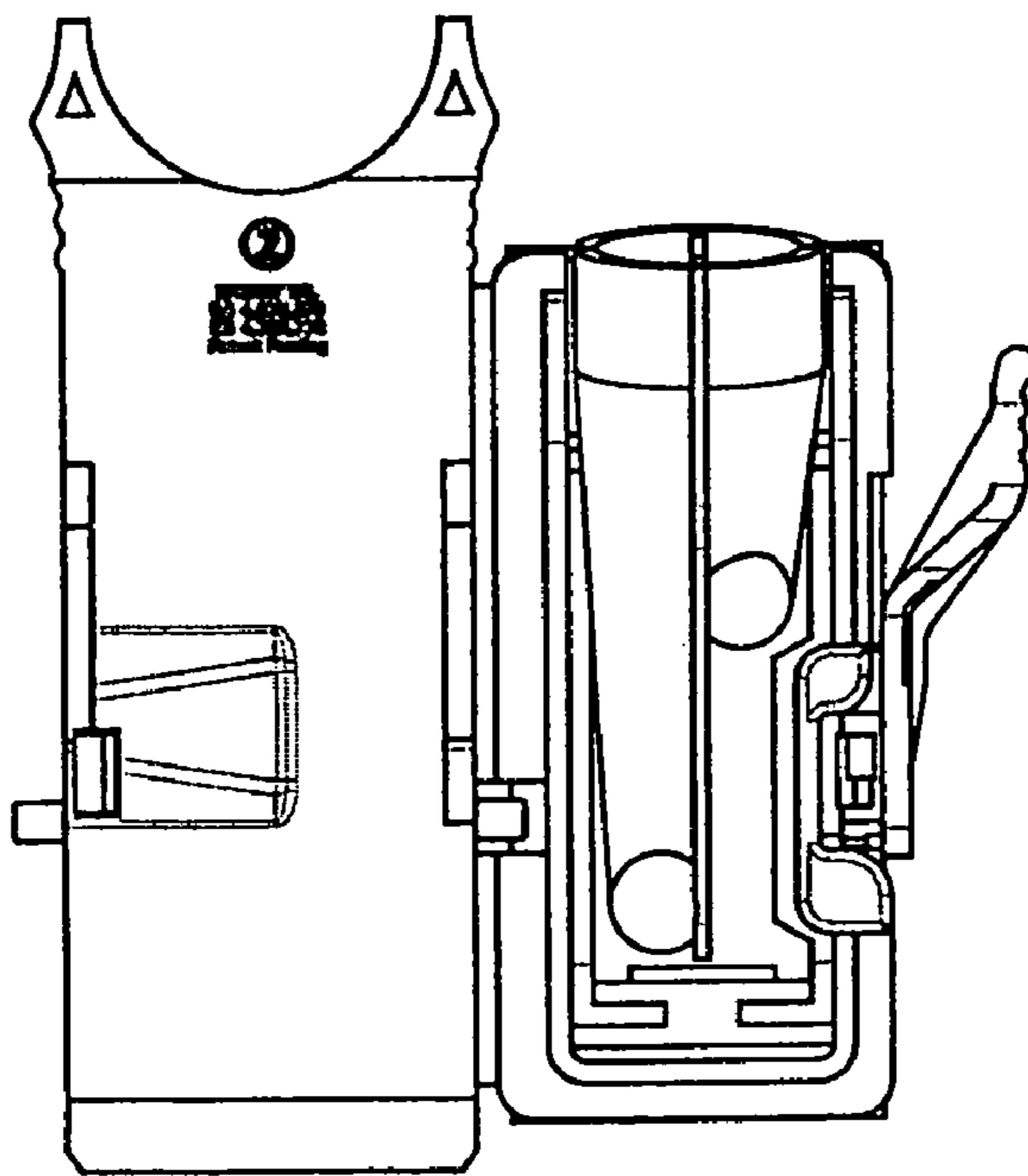


Figure 7

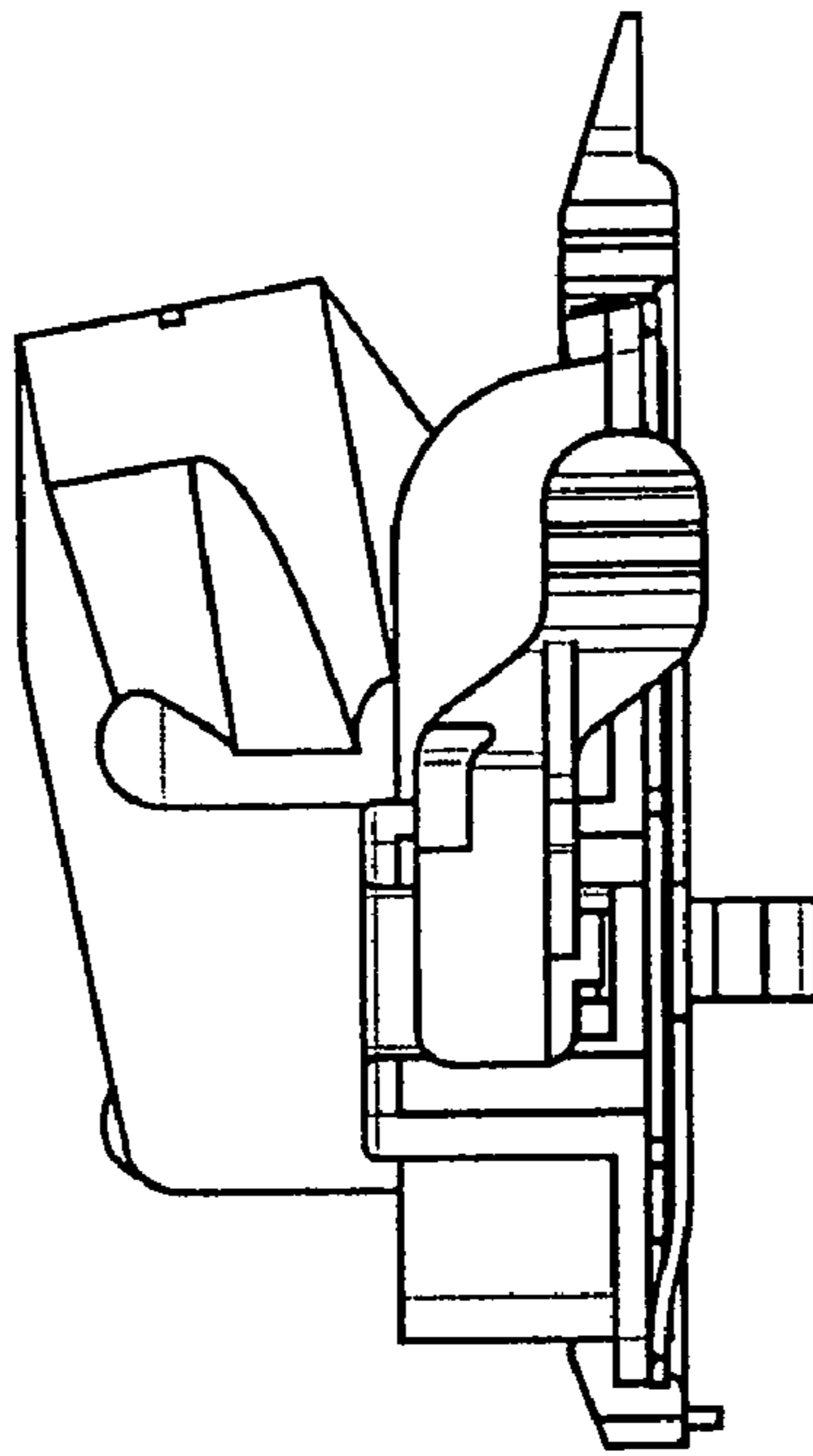


Figure 4

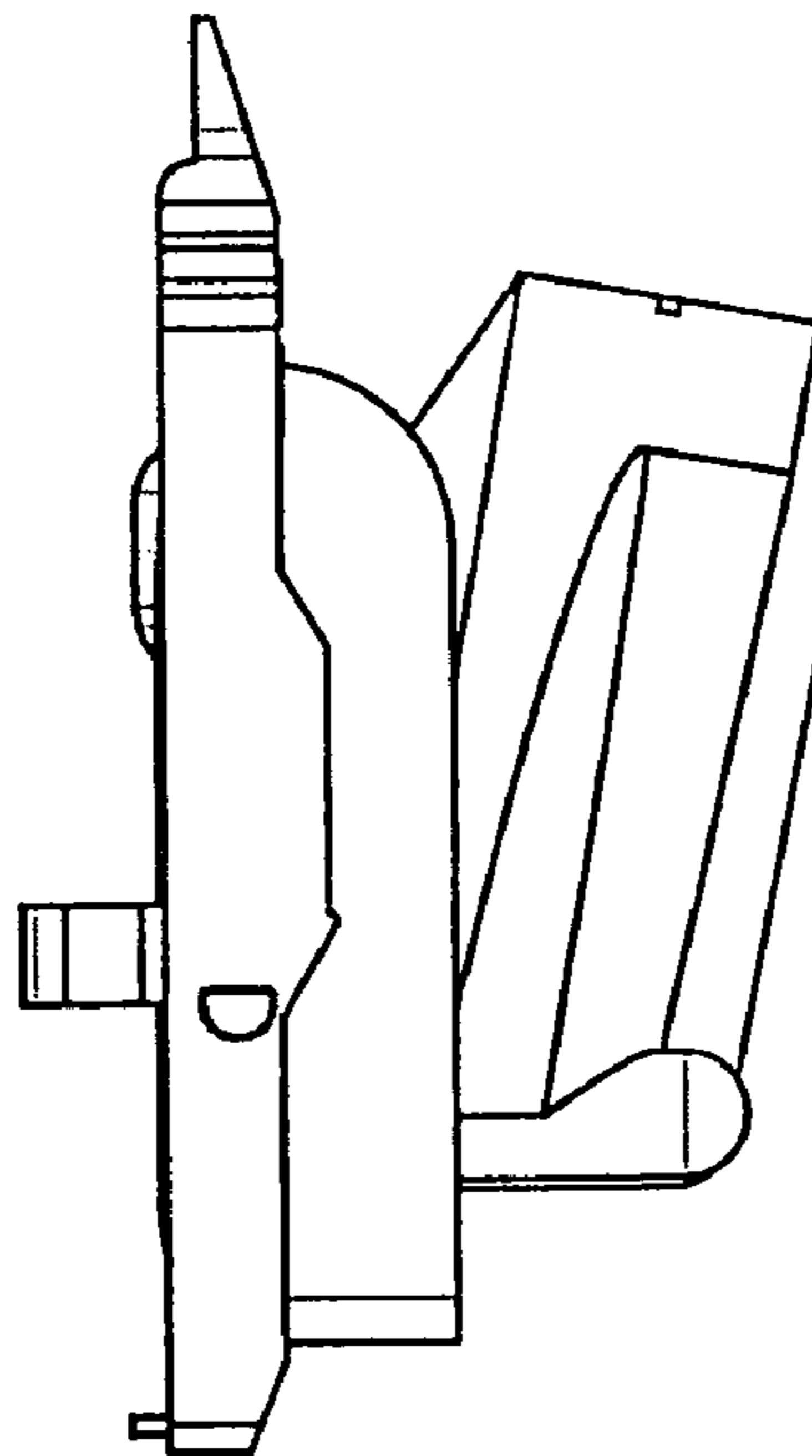


Figure 3

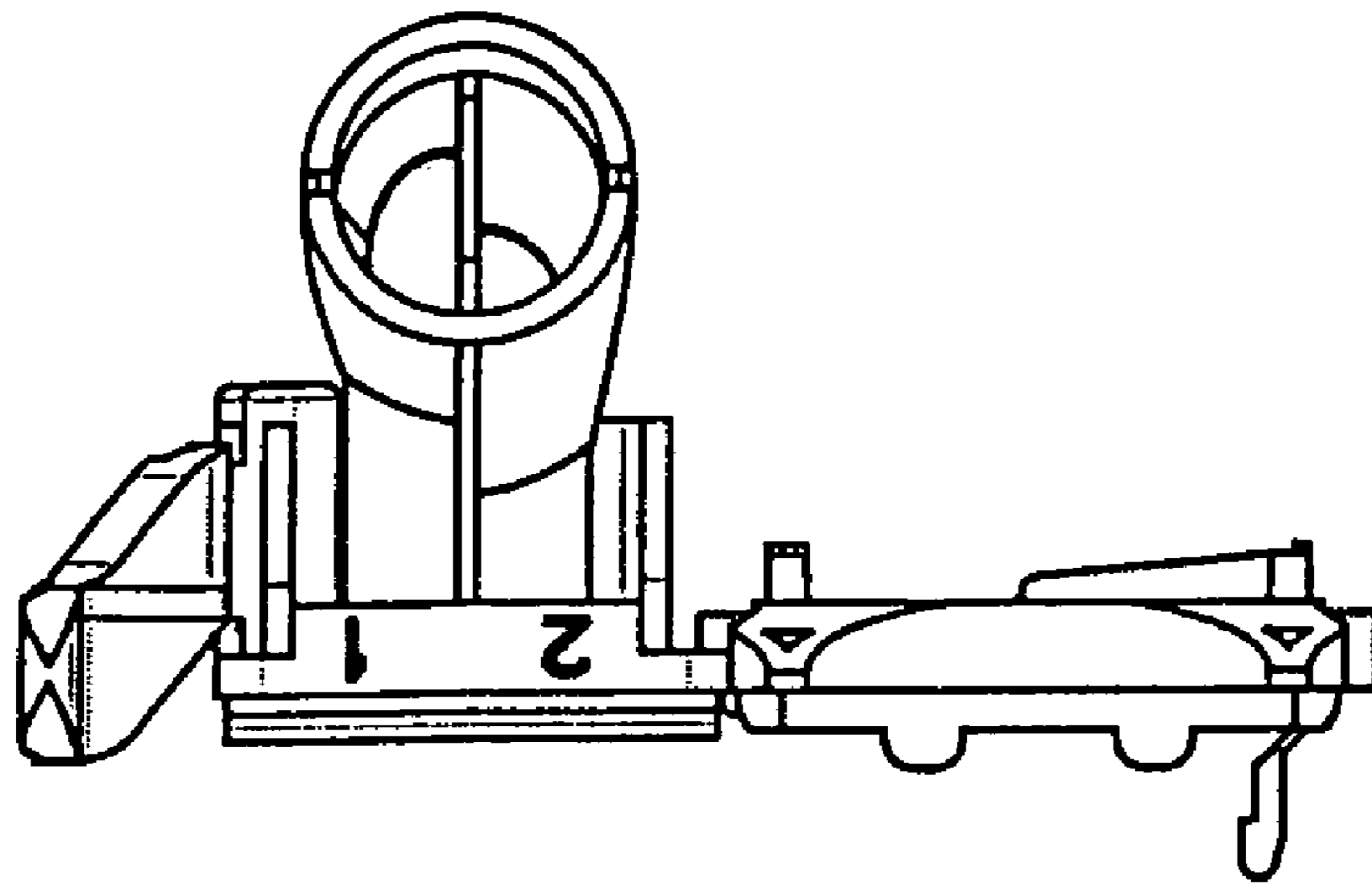


Figure 5

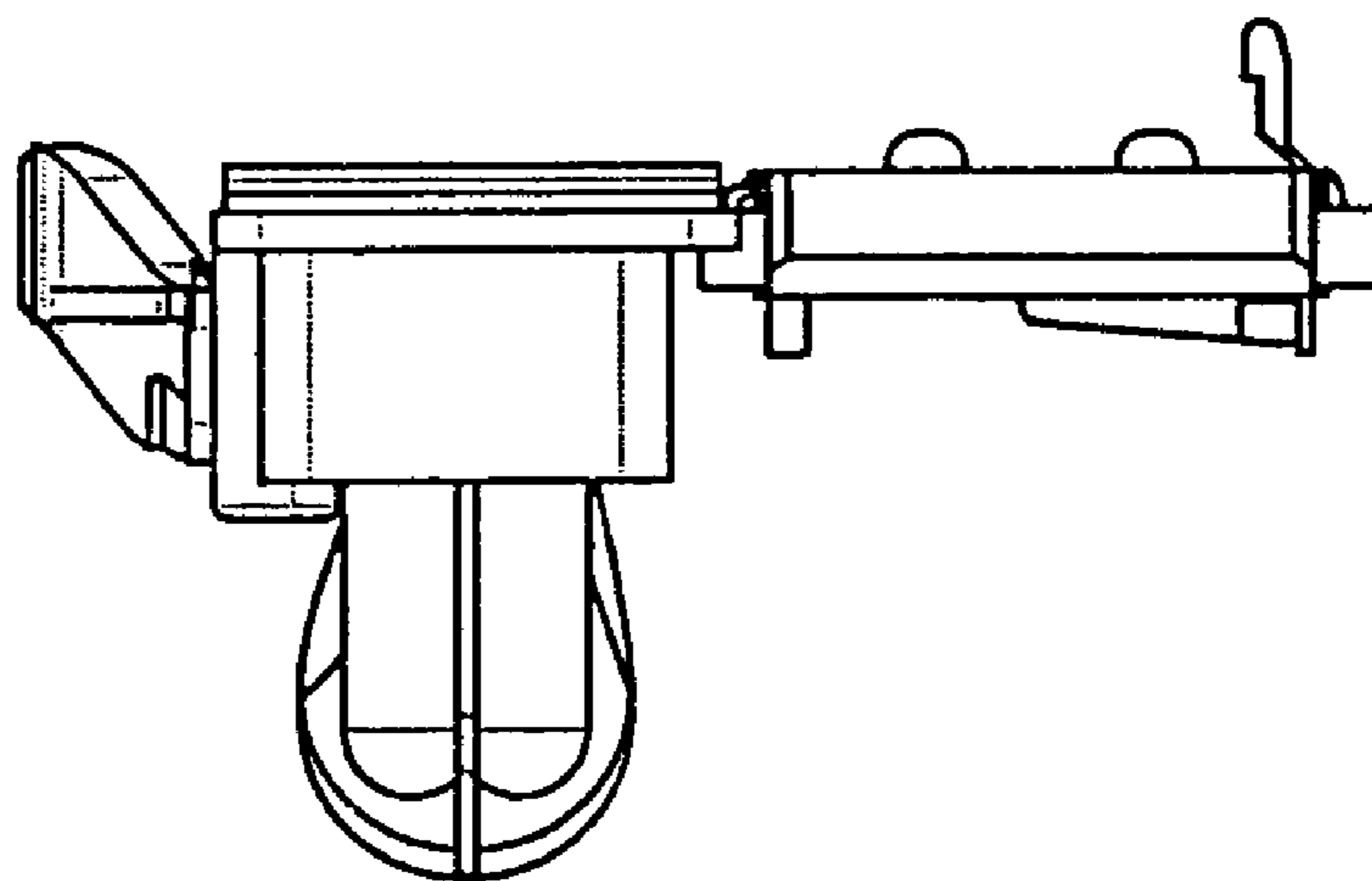


Figure 6