



US00D579036S

(12) **United States Design Patent**
Apothéloz

(10) **Patent No.:** **US D579,036 S**

(45) **Date of Patent:** **** Oct. 21, 2008**

(54) **MICROSCOPE**

(75) Inventor: **Christophe Apothéloz**, Zurich (CH)

(73) Assignee: **Leica Microsystems (Schweiz) AG**,
Heerbrugg (CH)

(**) Term: **14 Years**

(21) Appl. No.: **29/290,671**

(22) Filed: **Jan. 2, 2008**

(30) **Foreign Application Priority Data**

Jul. 3, 2007 (DE) 4 07 03 337

(51) **LOC (8) Cl.** **16-06**

(52) **U.S. Cl.** **D16/131**

(58) **Field of Classification Search** D16/130,
D16/131; 359/362, 363, 375, 376, 377, 378,
359/379, 380, 381, 382, 383, 384, 385, 386,
359/387, 388, 389, 390, 392, 393

See application file for complete search history.

(56) **References Cited**

U.S. PATENT DOCUMENTS

D229,581 S *	12/1973	Armbruster	D16/131
D234,626 S *	3/1975	Maier	D16/131
D235,684 S *	7/1975	Michel	D16/131
D241,741 S *	10/1976	Armbruster	D16/131
4,210,384 A *	7/1980	Meyer et al.	359/363
D257,358 S *	10/1980	Armbruster	D16/131
D278,915 S *	5/1985	Hoelbl et al.	D16/131

5,000,555 A *	3/1991	Sato	359/392
5,585,964 A *	12/1996	Schalz	359/368
6,339,498 B1 *	1/2002	Nishida et al.	359/361
6,813,071 B2 *	11/2004	Takahama	359/381
D556,800 S *	12/2007	Yanagisawa	D16/131
7,321,462 B2 *	1/2008	Yamamoto	359/390

* cited by examiner

Primary Examiner—Paula A Greene

(74) *Attorney, Agent, or Firm*—Crowell & Moring LLP

(57) **CLAIM**

The ornamental design for a microscope, as shown and described.

DESCRIPTION

This application is related to the following co-pending application, of the inventor, filed on even date herewith:

Application Ser. No. 29/290,670, entitled "Microscope".

FIG. 1 is a right, rear perspective view of a microscope according to my novel design;

FIG. 2 is a right side view thereof;

FIG. 3 is a left side view thereof;

FIG. 4 is a top view thereof;

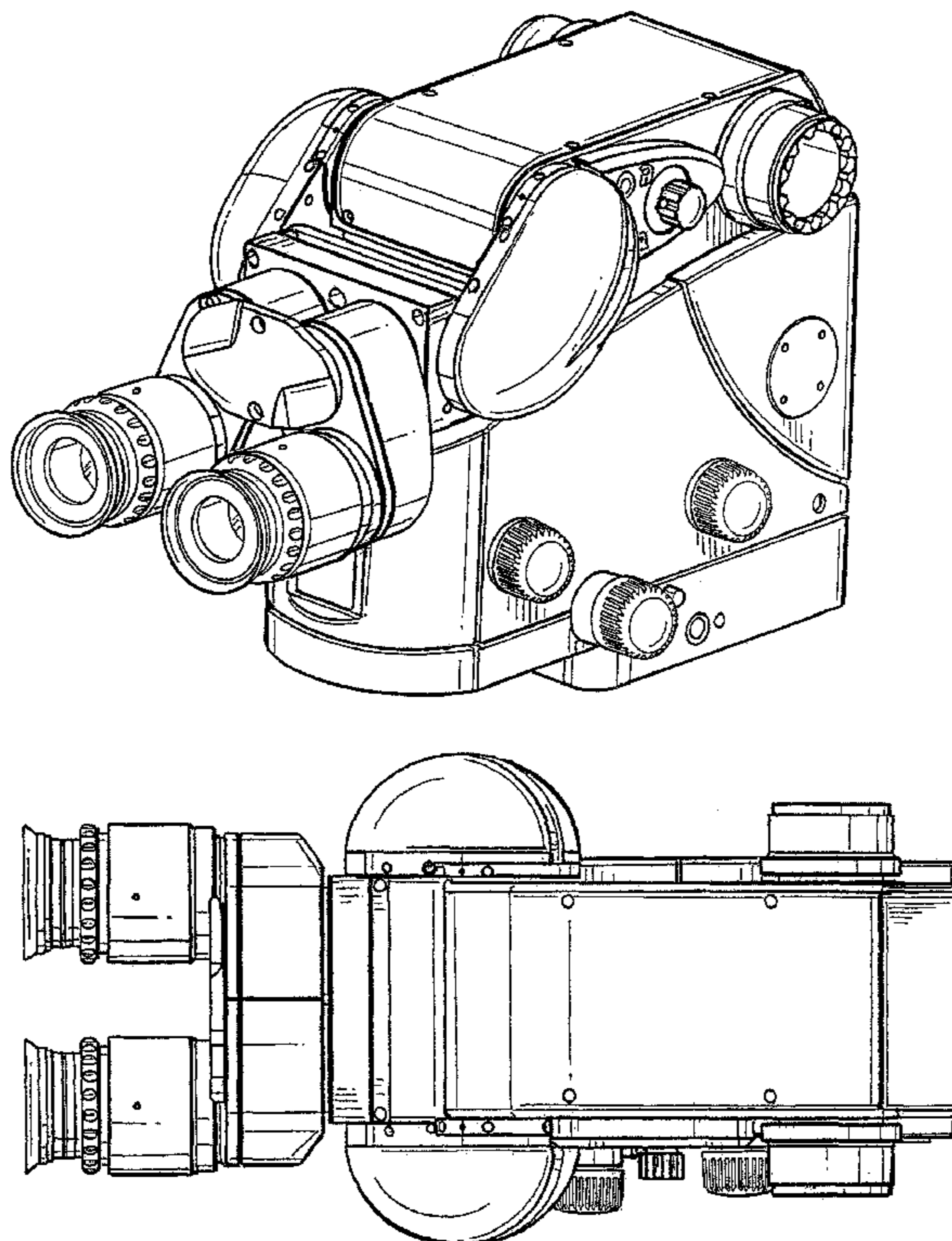
FIG. 5 is a rear view thereof;

FIG. 6 is a front view thereof;

FIG. 7 is a right, side perspective view thereof; and,

FIG. 8 is a bottom view thereof.

1 Claim, 7 Drawing Sheets



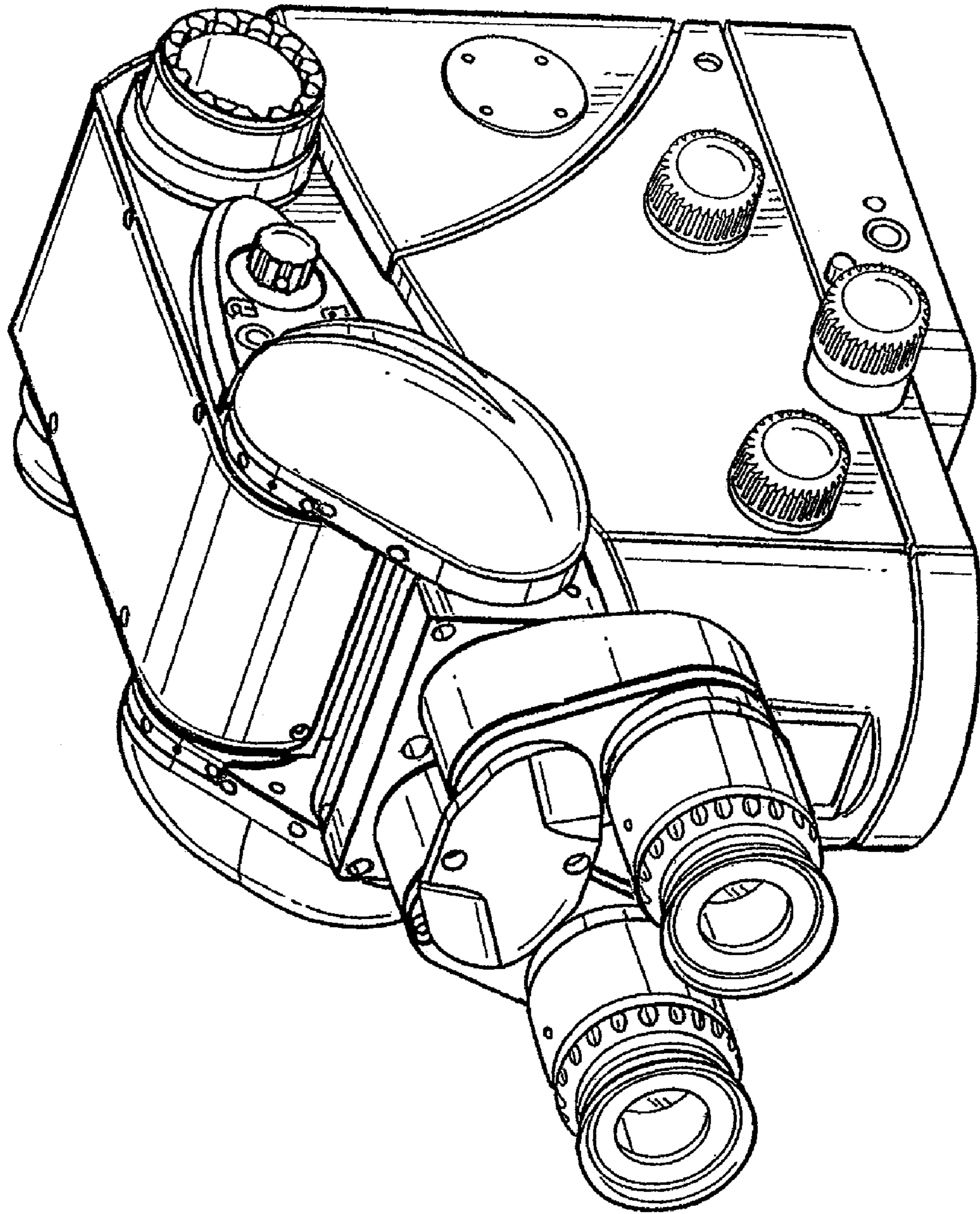


FIG. 1

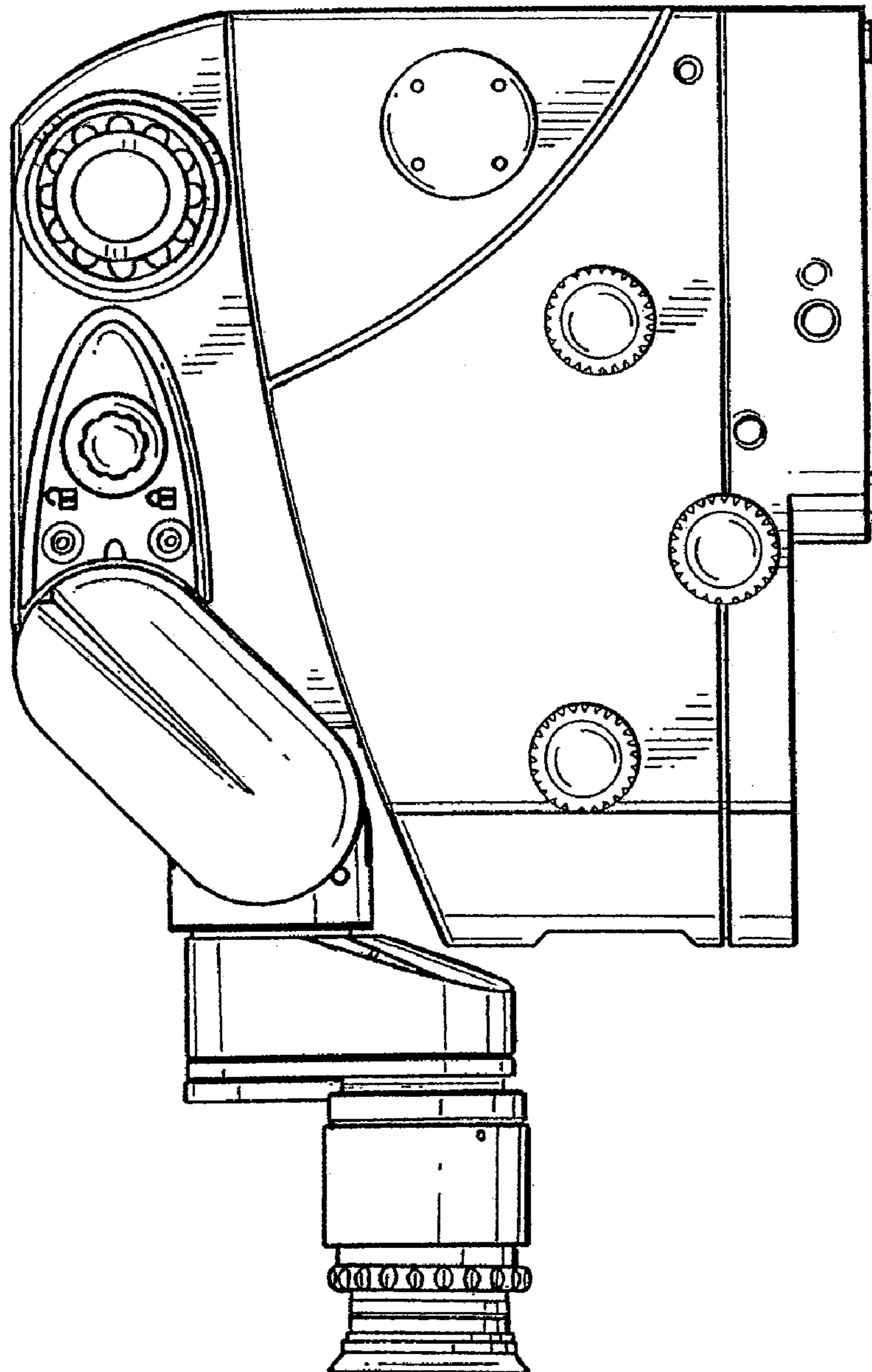


FIG. 2

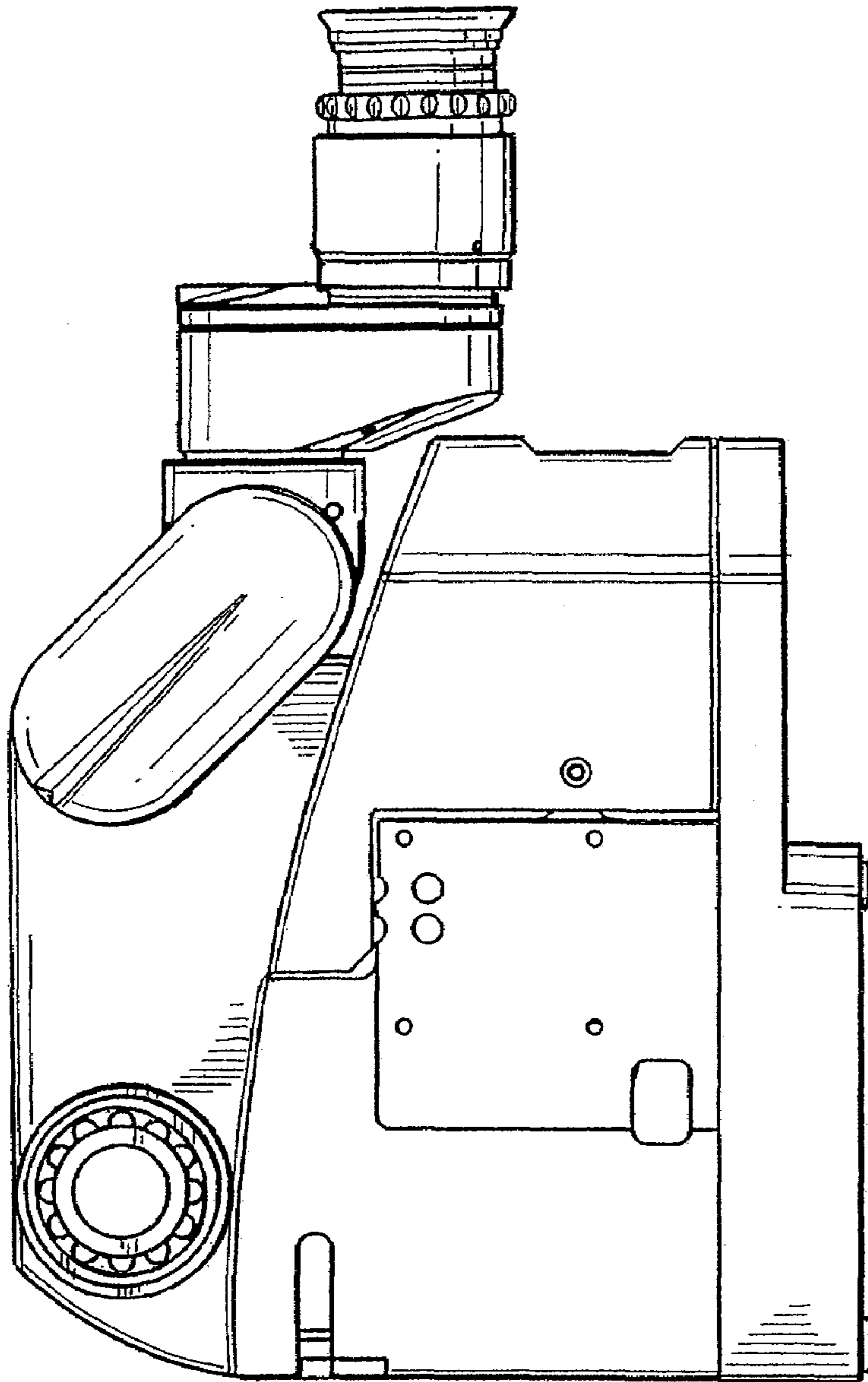


FIG. 3

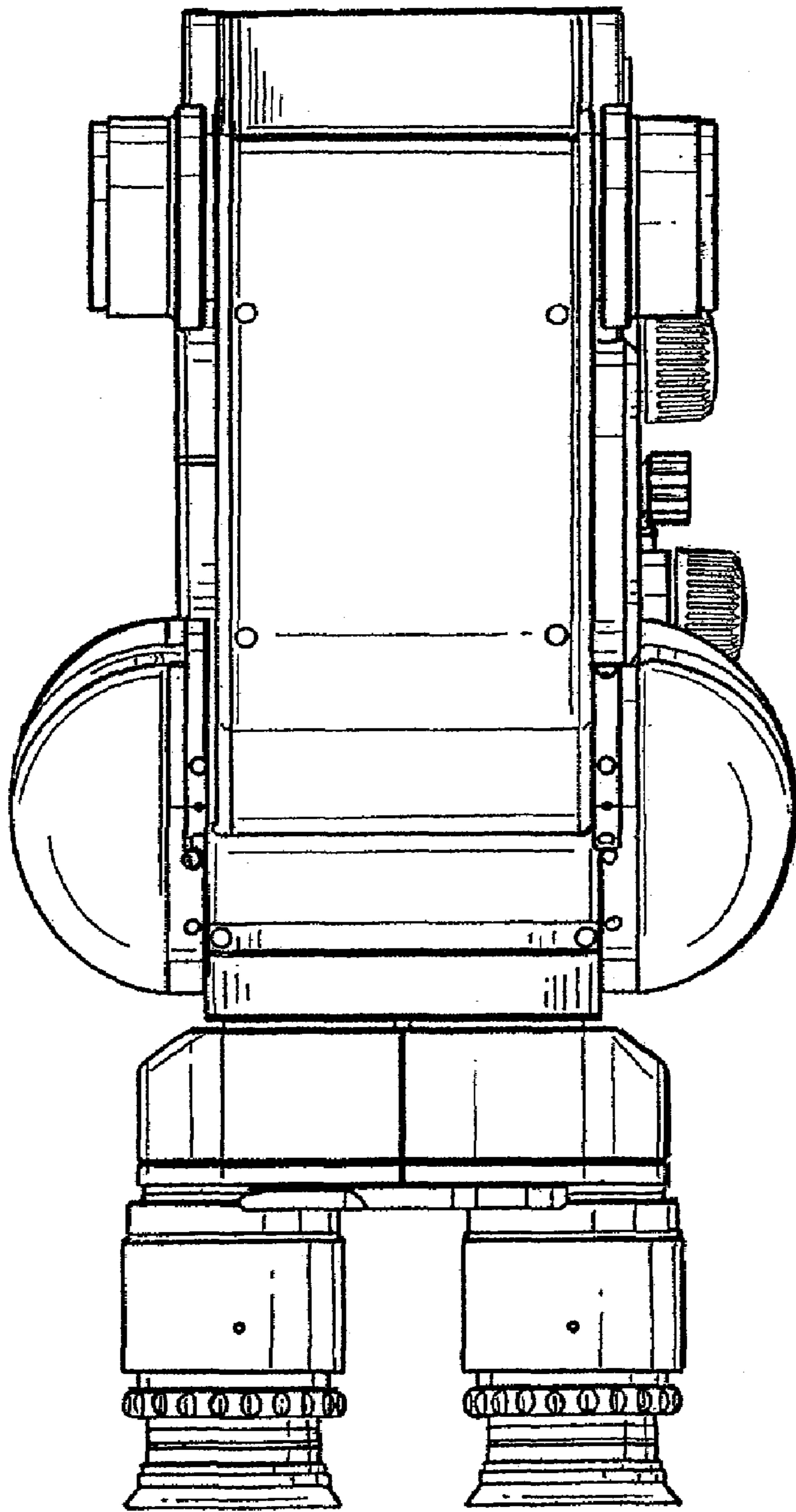


FIG. 4

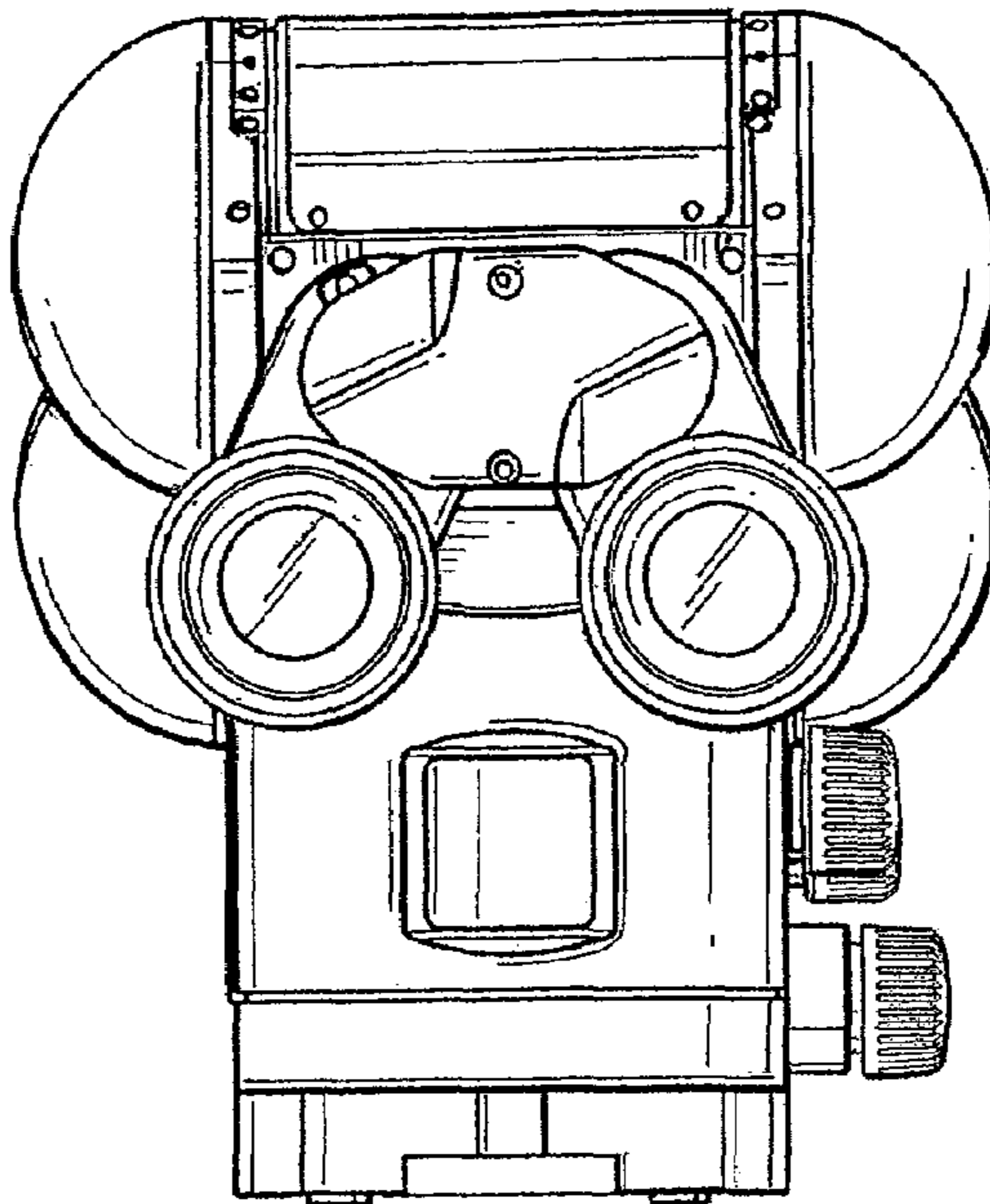


FIG. 5

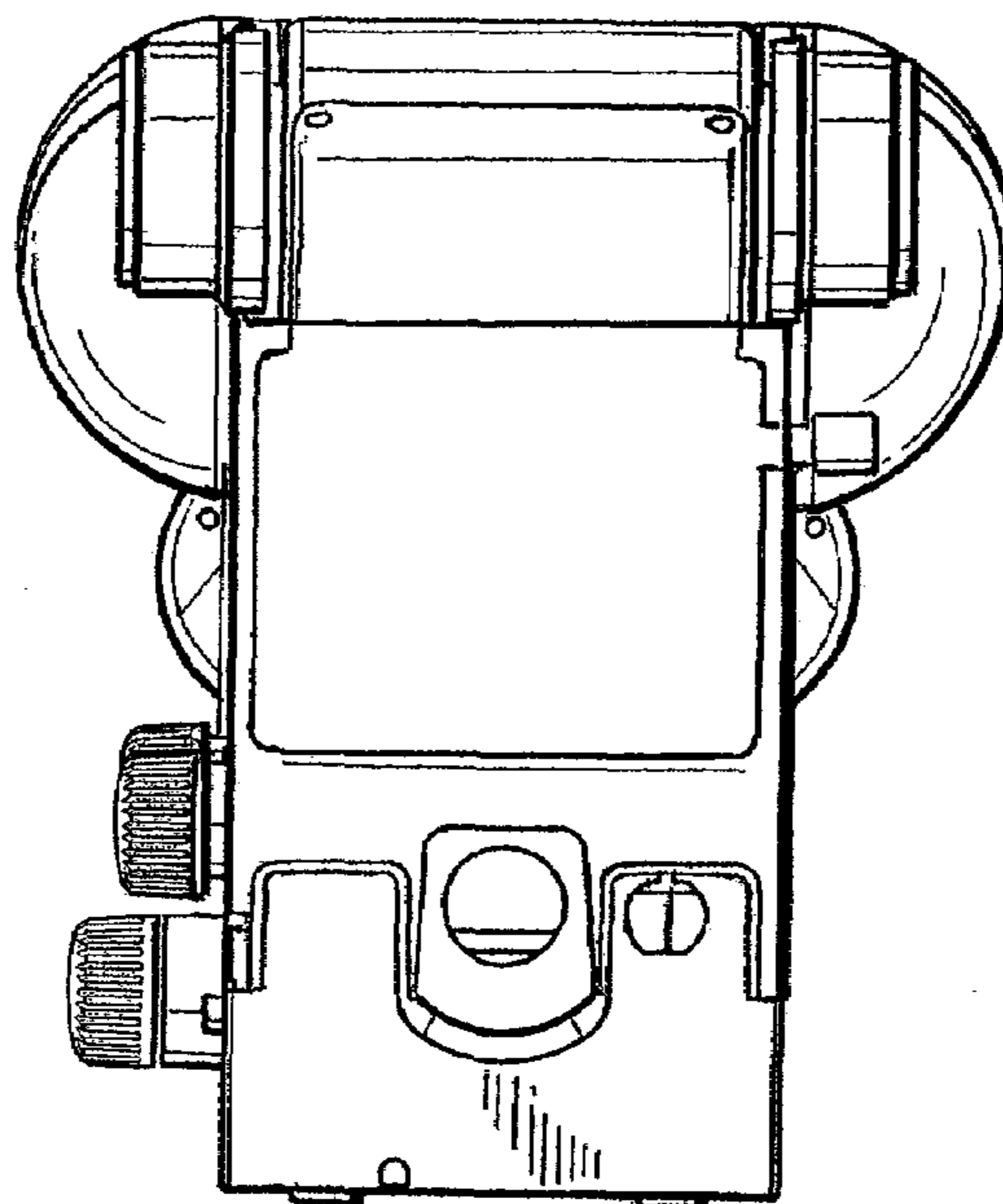


FIG. 6

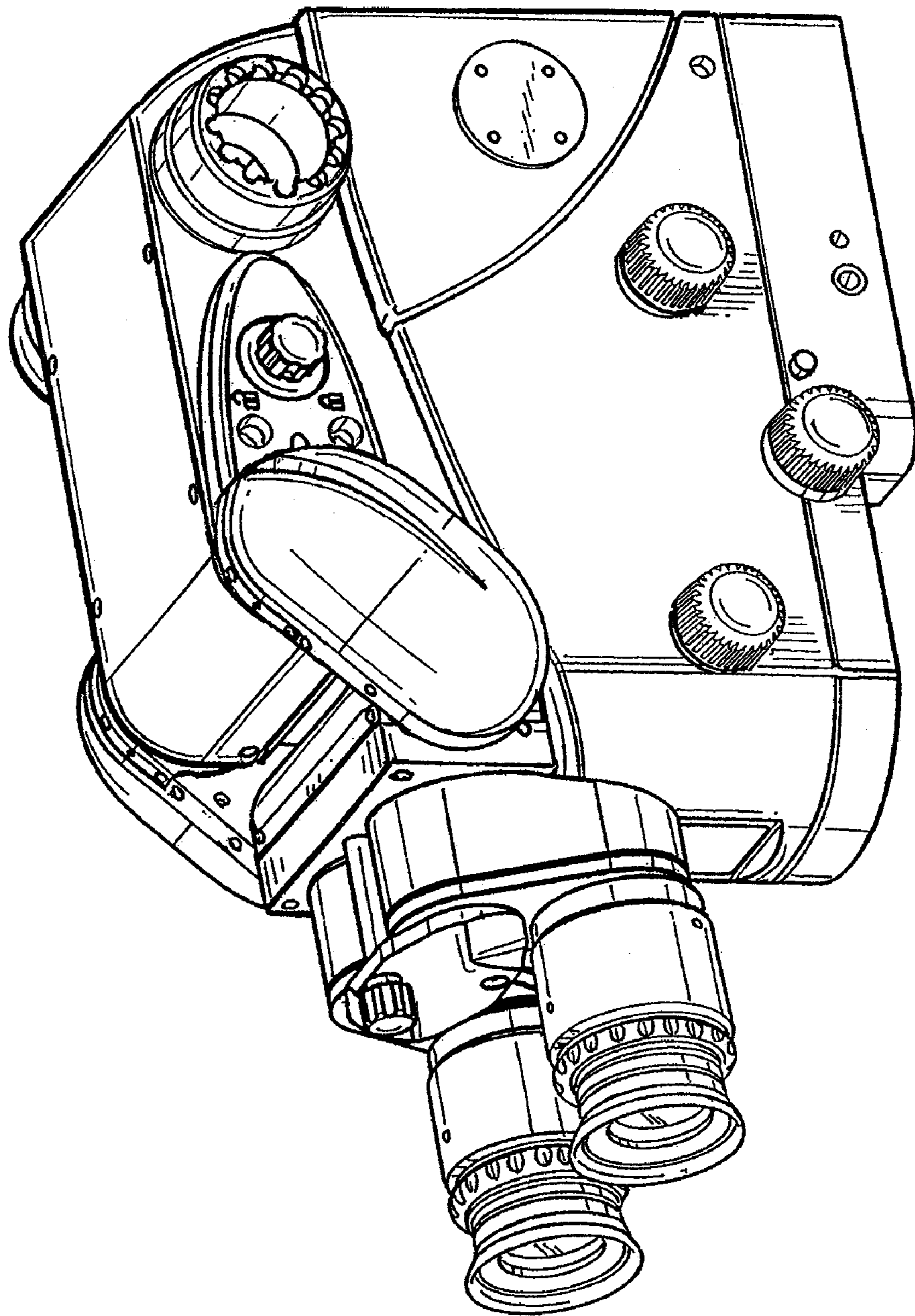


FIG. 7

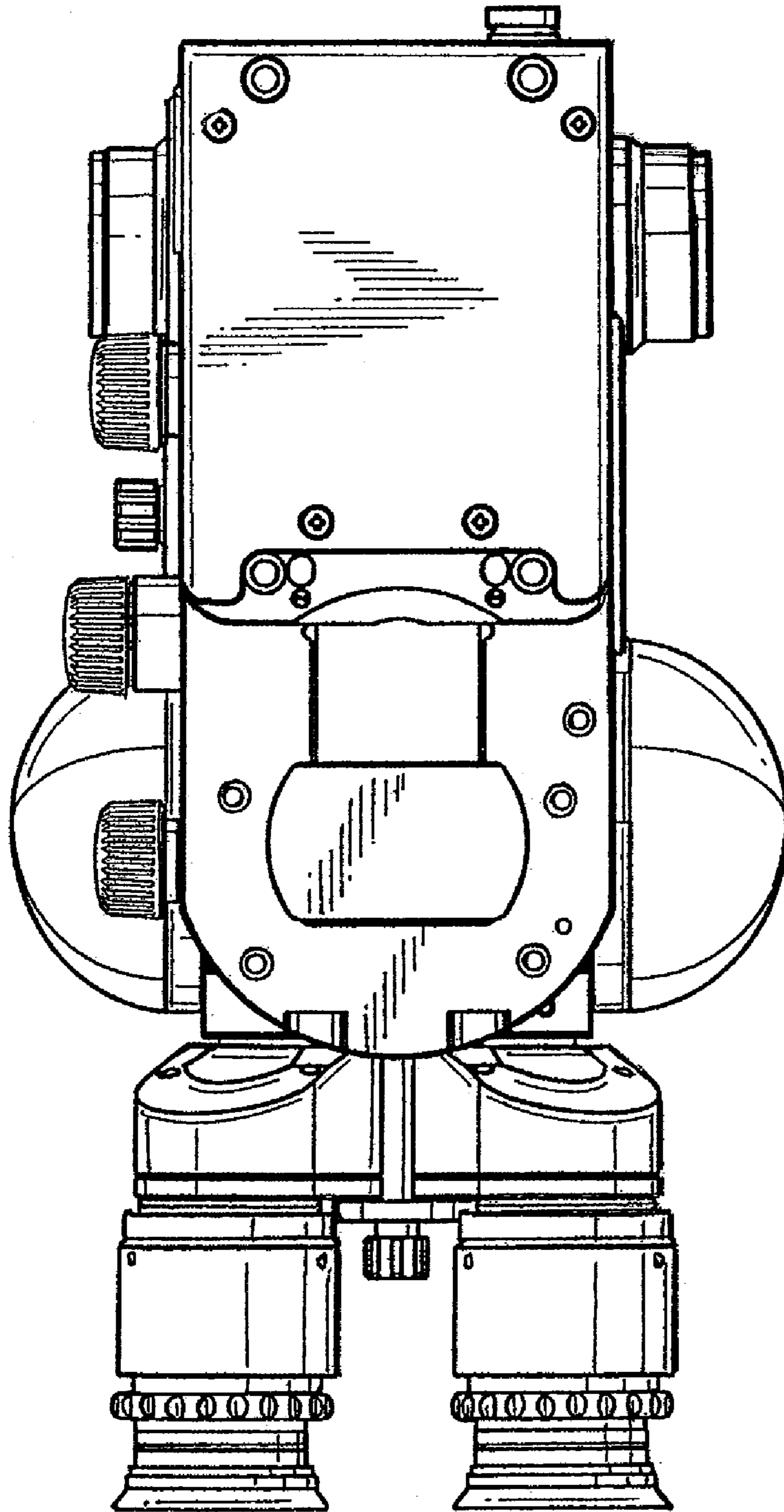


FIG. 8