



US00D579035S

(12) **United States Design Patent**
Kim et al.

(10) **Patent No.:** **US D579,035 S**
(45) **Date of Patent:** **** Oct. 21, 2008**

(54) **PUBLIC SERVICE ROBOT**

(75) Inventors: **Seog Guen Kim**, Seoul (KR); **Ki Cheol Park**, Hwaseong-si (KR); **Yong Jae Kim**, Seoul (KR); **Yeon Taek Oh**, Yongin-si (KR); **Won Jun Koh**, Yongin-si (KR); **Sung Ha Kim**, Seoul (KR)

(73) Assignee: **Samsung Electronics Co., Ltd.**, Suwon-Si (KR)

(**) Term: **14 Years**

(21) Appl. No.: **29/287,036**

(22) Filed: **Jun. 20, 2007**

(30) **Foreign Application Priority Data**

Dec. 29, 2006 (KR) 30-2006-0052026

(51) **LOC (8) Cl.** **15-99**

(52) **U.S. Cl.** **D15/199**

(58) **Field of Classification Search** D6/397;
D14/129; D15/199; D20/10, 16, 18, 20,
D20/21, 25, 31, 39, 99; D21/578-583, 593,
D21/594, 621, 622; D25/16; 180/8.6; 318/568.12,
318/568.2; 364/424.02; 446/268-274, 279,
446/280, 285, 289-292, 294, 297-303, 353-355,
446/376-384

See application file for complete search history.

(56) **References Cited**

U.S. PATENT DOCUMENTS

3,728,815 A * 4/1973 Tomiyama 446/291
D290,032 S * 5/1987 Horiuchi D21/578
D293,344 S * 12/1987 Shiraiishi D21/578
4,717,364 A * 1/1988 Furukawa 446/175
D298,766 S * 11/1988 Tanno et al. D21/578

D324,701 S * 3/1992 Capps D20/10
D326,282 S * 5/1992 Spoljaric D20/10
5,324,948 A * 6/1994 Dudar et al. 250/379
D438,257 S * 2/2001 Mellgren, III D20/10
6,430,475 B2 * 8/2002 Okamoto et al. 318/568.12
6,604,021 B2 * 8/2003 Imai et al. 318/568.12
D515,838 S * 2/2006 Cravens et al. D6/397
D530,113 S * 10/2006 Cravens et al. D6/397
7,171,286 B2 * 1/2007 Wang et al. 700/248
D549,756 S * 8/2007 Park et al. D15/199
2005/0216126 A1 * 9/2005 Koselka et al. 700/259
2006/0149419 A1 * 7/2006 Ogawa et al. 700/245
2007/0132419 A1 * 6/2007 Hashimoto et al. 318/568.12

* cited by examiner

Primary Examiner—Sandra Snapp
Assistant Examiner—Patricia Palasik
(74) *Attorney, Agent, or Firm*—Staas & Halsey LLP

(57) **CLAIM**

The ornamental design for a public service robot, as shown and described.

DESCRIPTION

FIG. 1 is a perspective view of a public service robot;
FIG. 2 is a front view of the public service robot of FIG. 1;
FIG. 3 is a rear view of the public service robot of FIG. 1;
FIG. 4 is a left-side view of the public service robot of FIG. 1;
FIG. 5 is a right-side view of the public service robot of FIG. 1;
FIG. 6 is a top plan view of the public service robot of FIG. 1;
FIG. 7 is a bottom plan view of the public service robot of FIG. 1; and,
FIG. 8 is a rear perspective view of the public service robot of FIG. 1.

1 Claim, 7 Drawing Sheets

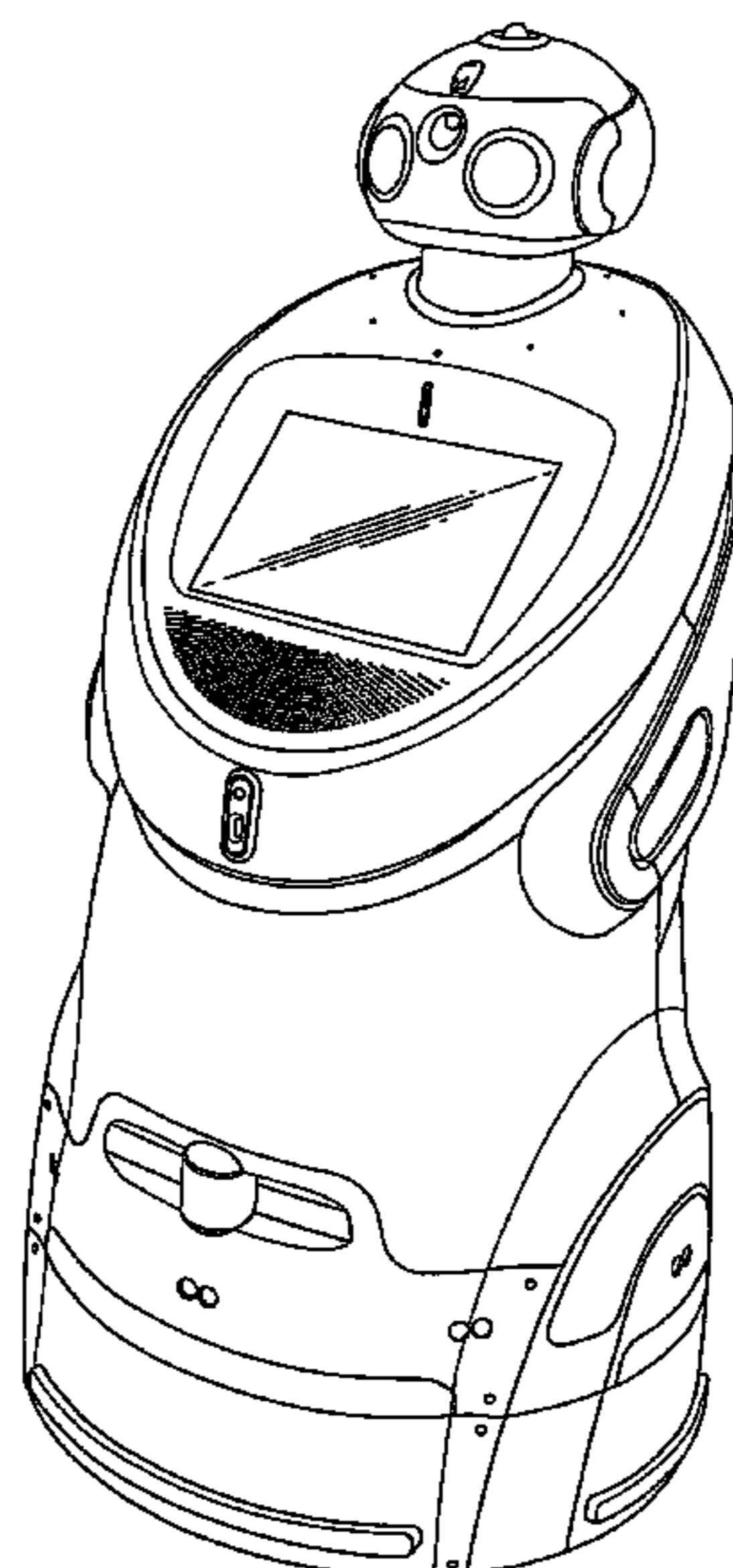


FIG. 1

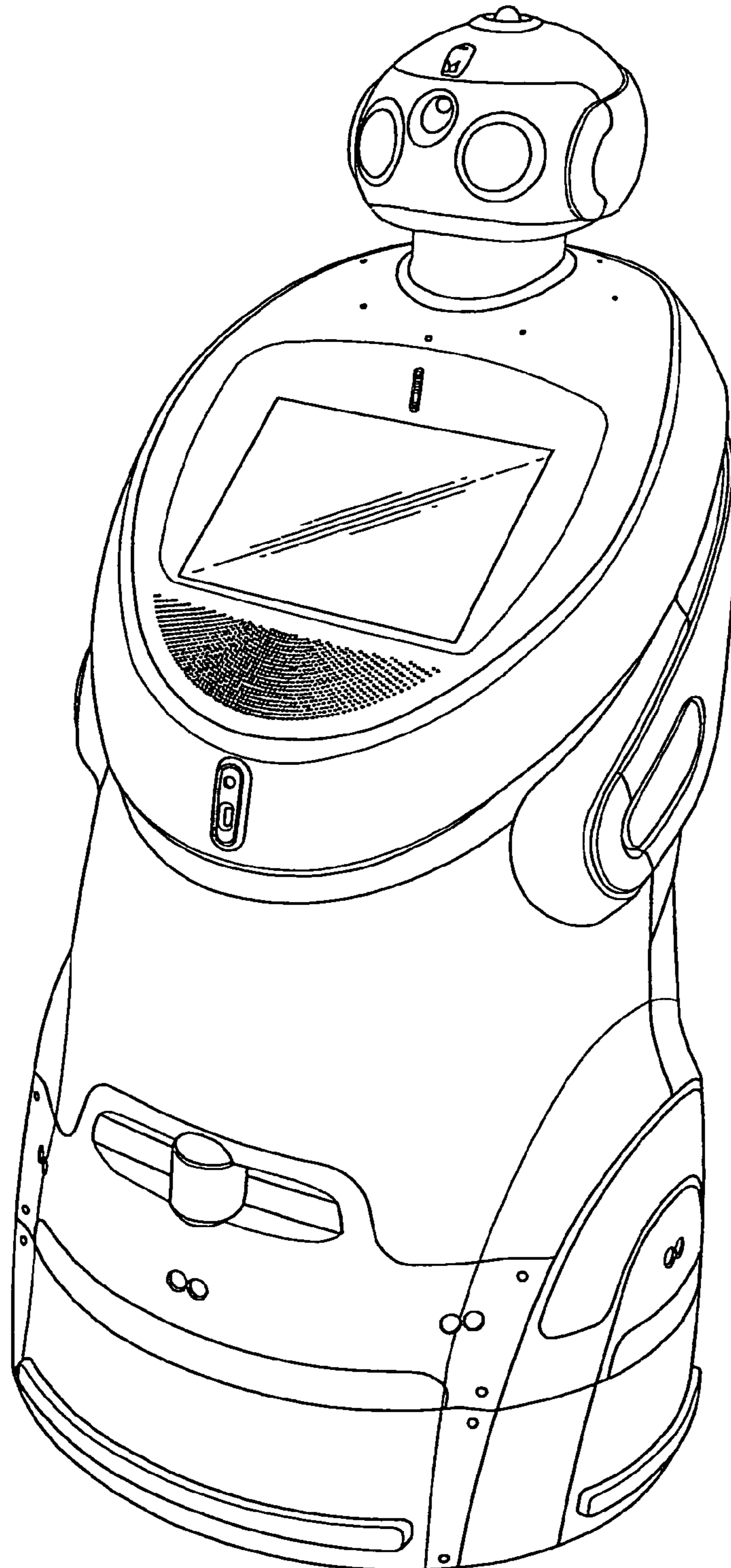


FIG. 2

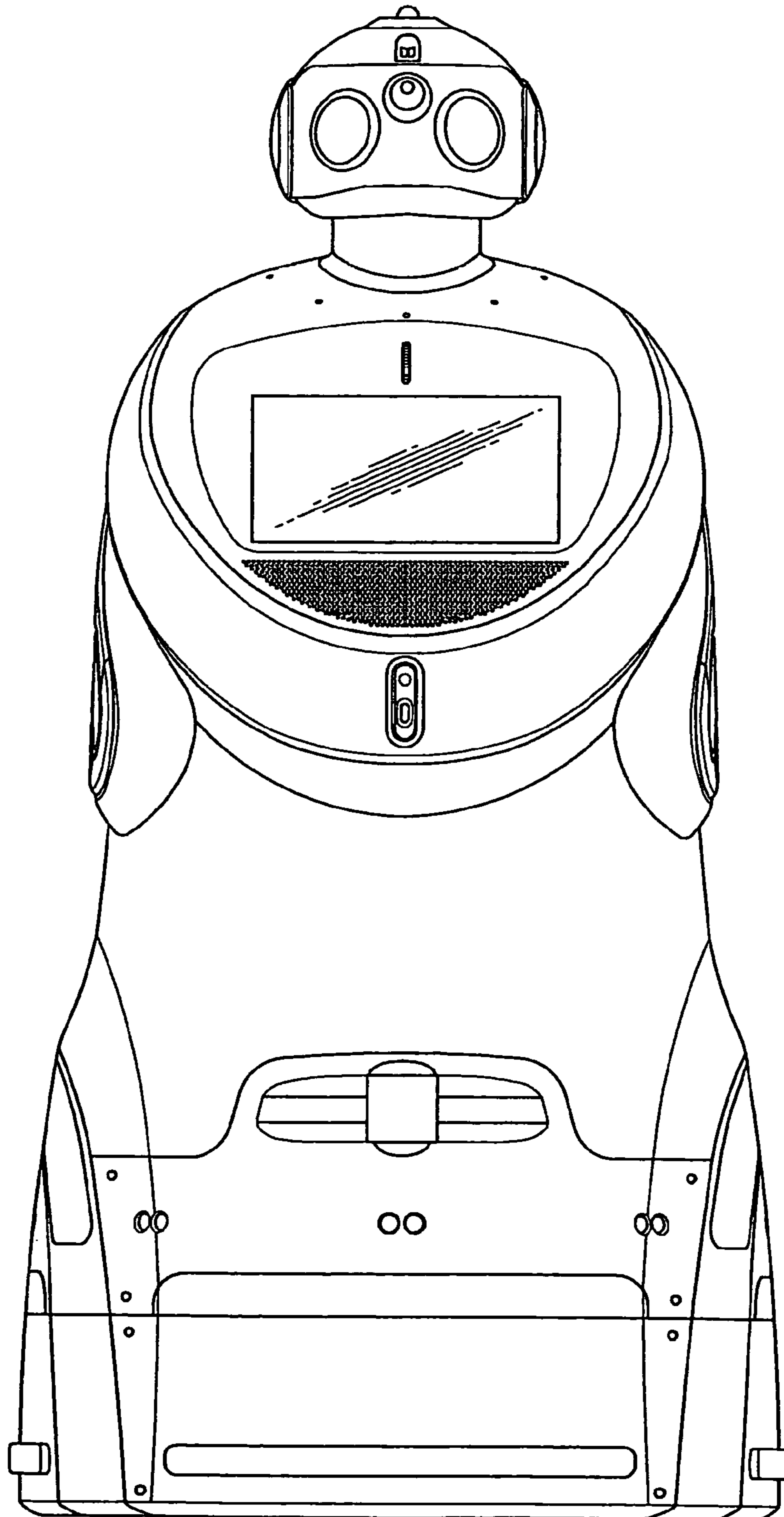


FIG. 3

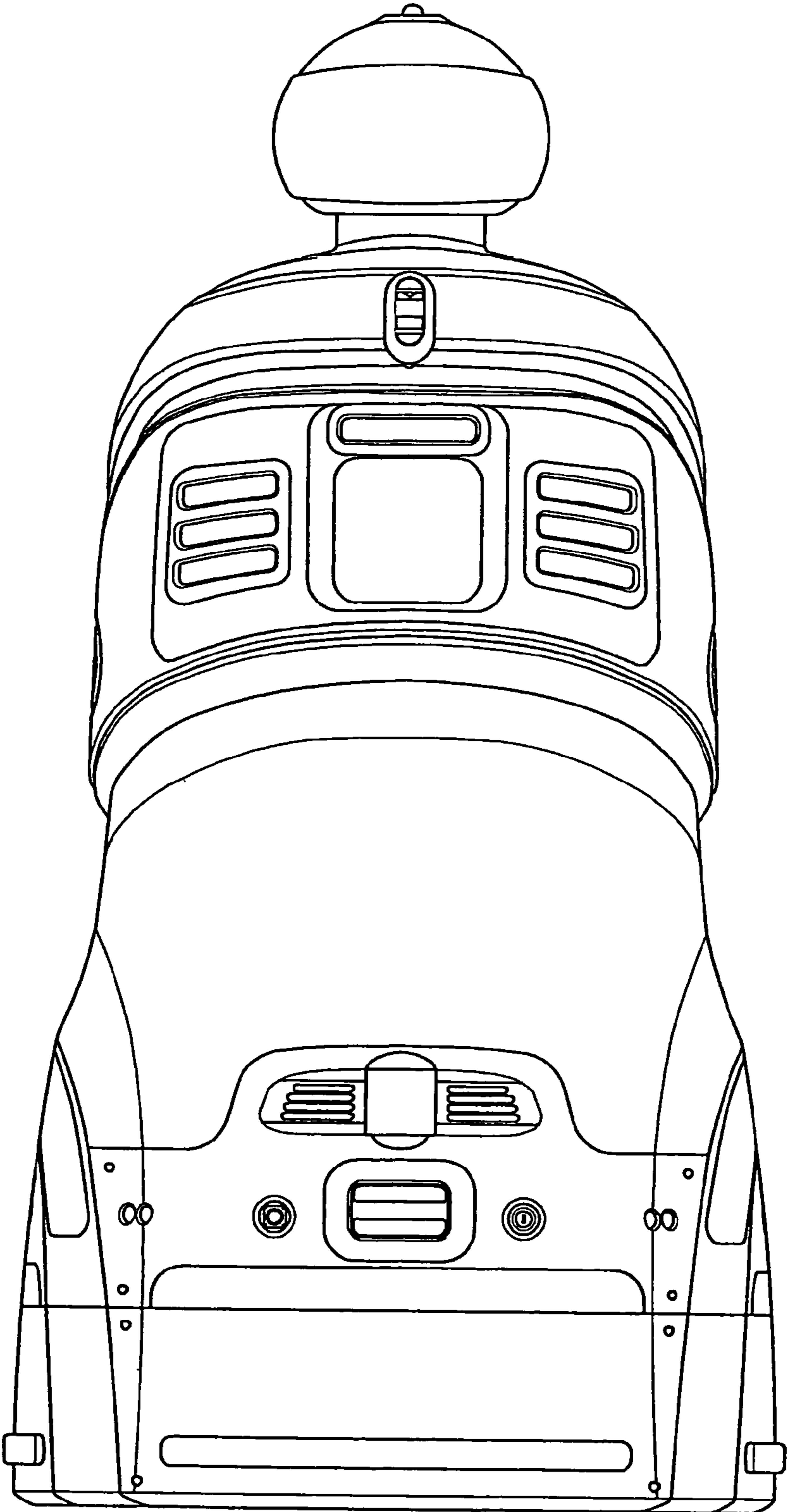


FIG. 4

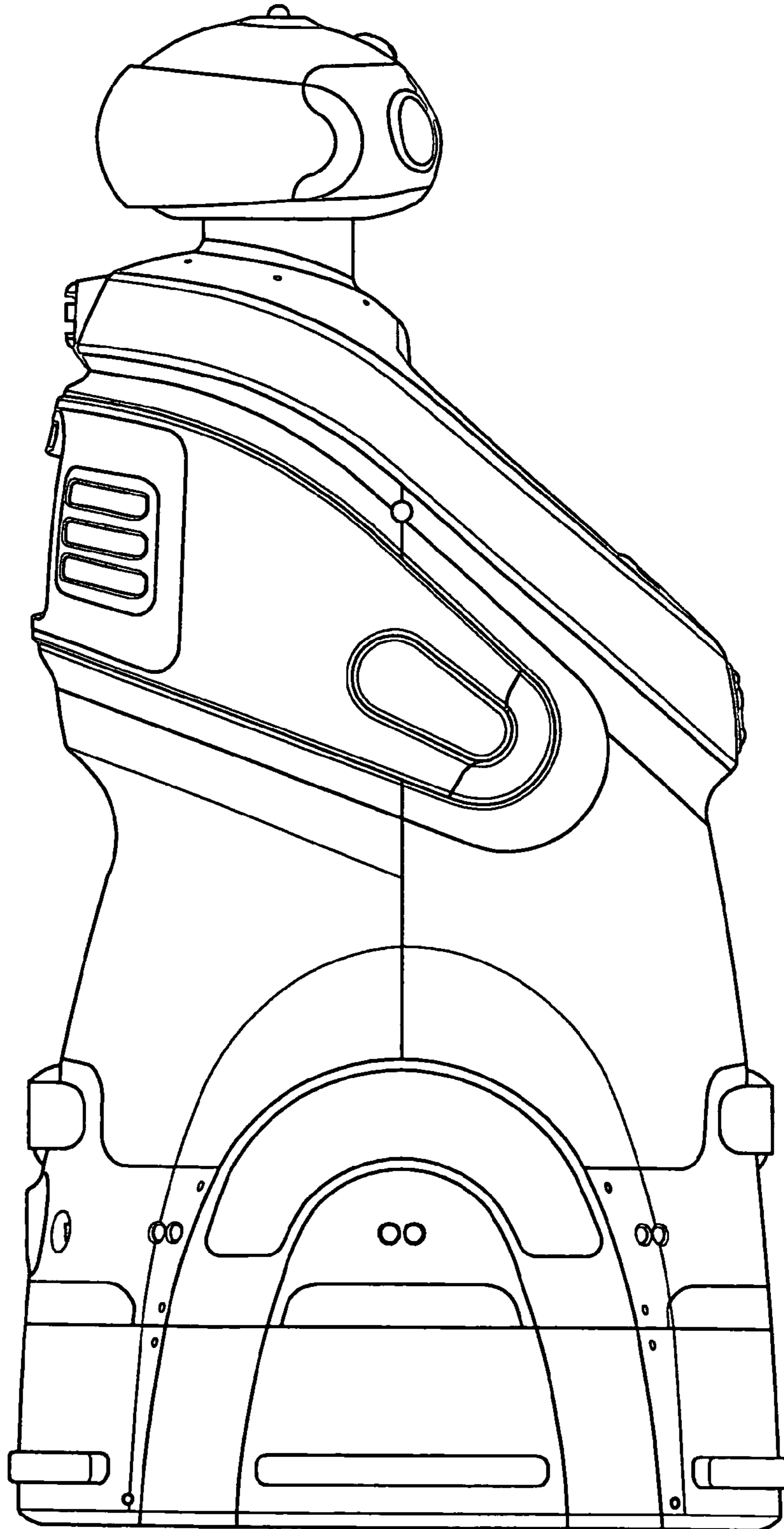


FIG. 5

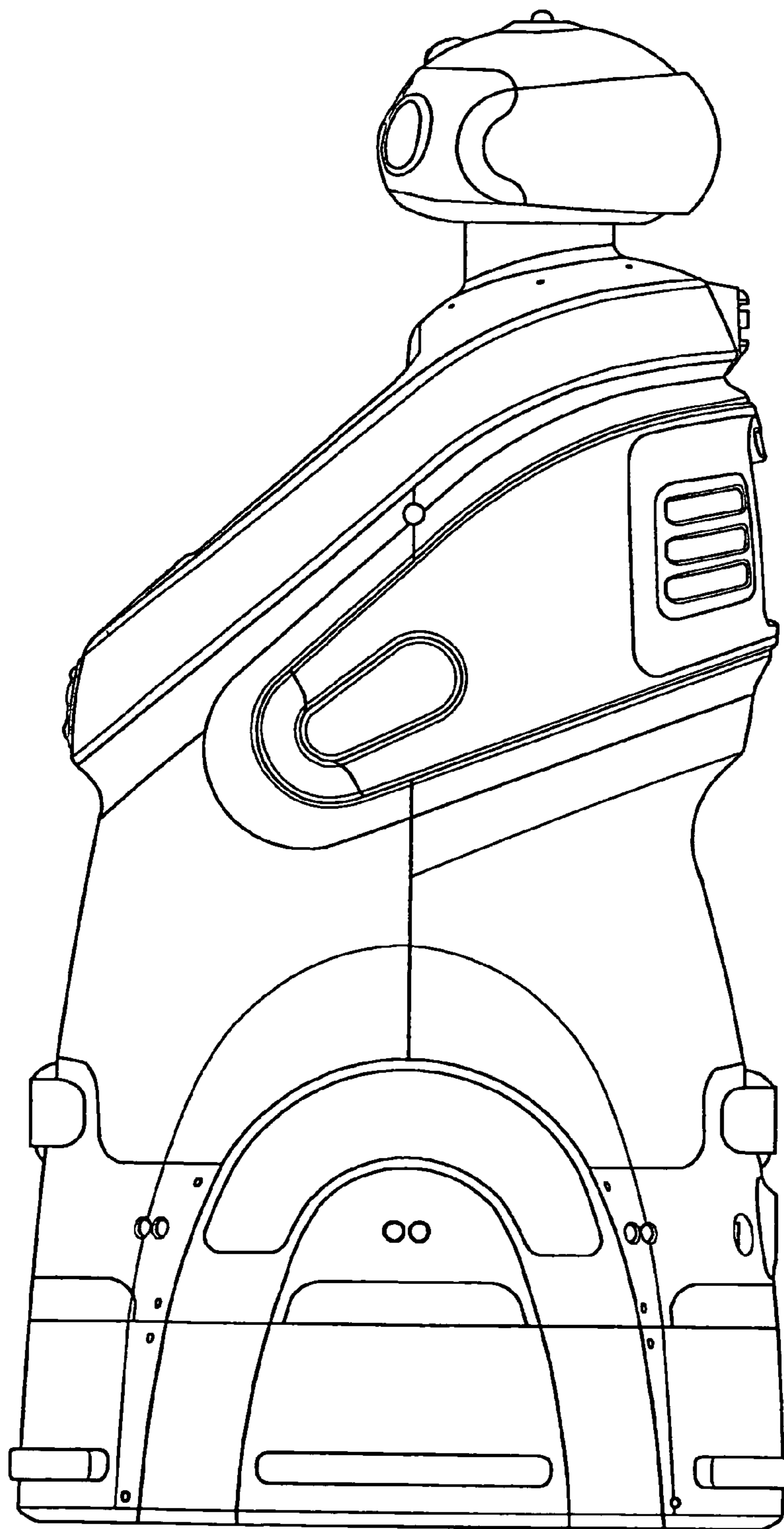


FIG. 6

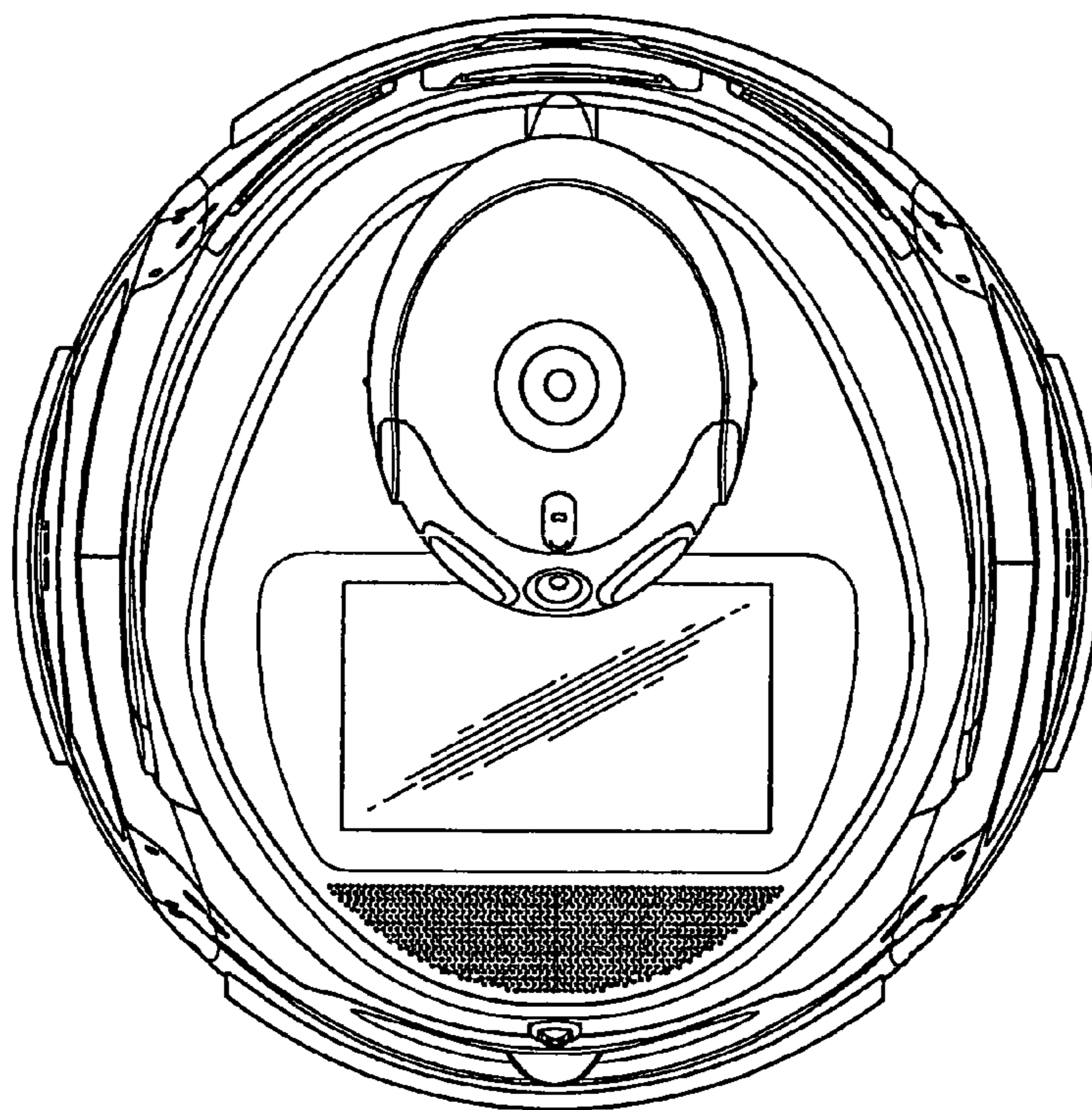


FIG. 7

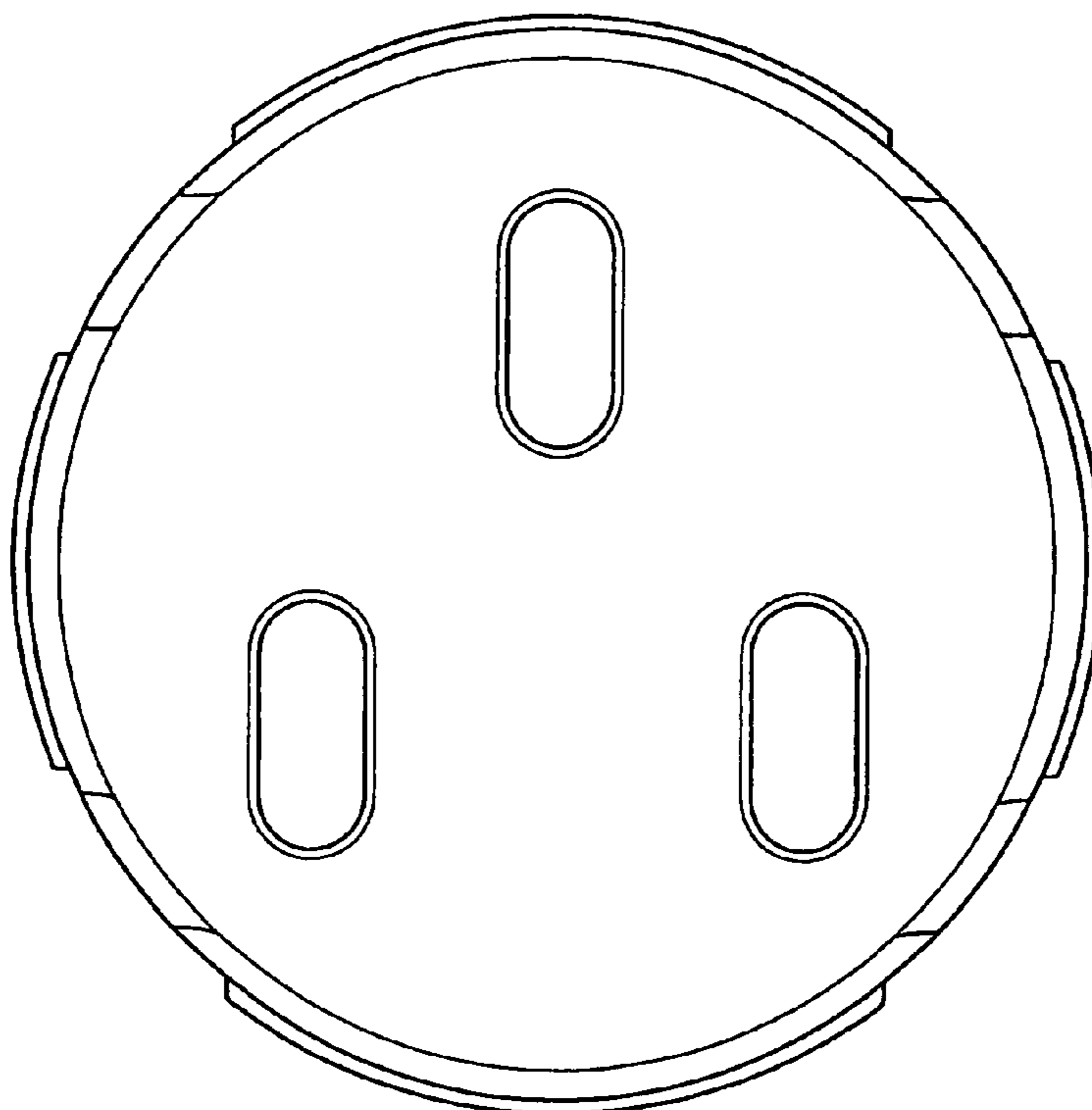


FIG. 8

