



US00D579033S

(12) **United States Design Patent**
Miller et al.

(10) **Patent No.:** **US D579,033 S**

(45) **Date of Patent:** **** Oct. 21, 2008**

(54) **ANNULAR CUTTER**

(75) Inventors: **Jeffery R. Miller**, Gaines, MI (US);
Gary D. Taphouse, Owosso, MI (US)

(73) Assignee: **Hougen Manufacturing, Inc.**, Swartz
Creek, MI (US)

(**) Term: **14 Years**

(21) Appl. No.: **29/296,707**

(22) Filed: **Oct. 25, 2007**

(51) **LOC (8) Cl.** **15-09**

(52) **U.S. Cl.** **D15/139**

(58) **Field of Classification Search** D15/138,
D15/139; 408/204, 205, 206, 226, 239 A,
408/239 R, 240

See application file for complete search history.

(56) **References Cited**

U.S. PATENT DOCUMENTS

2,731,273	A	1/1956	Edens	
2,823,040	A	2/1958	Fischer	
2,906,541	A	9/1959	DuBois	
2,960,343	A	11/1960	Elledge	
3,405,950	A	10/1968	Cox	
3,747,946	A	7/1973	Edens	
4,107,949	A	8/1978	Wanner et al.	
4,188,041	A	2/1980	Soderberg	
RE31,755	E	12/1984	Wanner et al.	
4,557,641	A *	12/1985	Hougen	408/204
4,767,245	A *	8/1988	Shoji et al.	408/204
4,775,269	A	10/1988	Brix	
4,871,287	A *	10/1989	Hougen	408/204
5,145,296	A *	9/1992	Hougen	408/206
5,167,475	A	12/1992	Miyanaga	
5,281,060	A *	1/1994	Strange et al.	408/204
5,427,482	A	6/1995	Asano et al.	
D360,641	S	7/1995	Asano	
5,429,457	A	7/1995	Asano et al.	
D361,579	S	8/1995	Asano	
D361,776	S	8/1995	Asano	

5,944,460	A *	8/1999	Gill	408/204
6,390,739	B1 *	5/2002	O'Banion	408/239 R
6,582,164	B1 *	6/2003	McCormick	408/226
2003/0103822	A1 *	6/2003	Wirth et al.	408/204
2005/0084352	A1 *	4/2005	Borschert et al.	408/226

OTHER PUBLICATIONS

U.S. Appl. No. 11/924,551, Miller et al., "Cutter with Engagement for an Arbor", filed Oct. 25, 2007, 29 pp.

U.S. Appl. No. 11/924,559, Miller et al., "Cutter with Engagement for an Arbor", filed Oct. 25, 2007, 29 pp.

* cited by examiner

Primary Examiner—Sandra Snapp

Assistant Examiner—Patricia Palasik

(74) *Attorney, Agent, or Firm*—Howard & Howard Attorneys, P.C.

(57) **CLAIM**

The ornamental design for an annular cutter, as shown and described.

DESCRIPTION

FIG. 1 is a perspective view of an annular cutter with a shank portion.

FIG. 2 is a top view of the annular cutter of FIG. 1;

FIG. 3 is a cross-sectional view of the annular cutter along line 3—3 of FIG. 1;

FIG. 4 is a cross-sectional view of the annular cutter along line 4—4 of FIG. 1;

FIG. 5 is a front view of the annular cutter of FIG. 1;

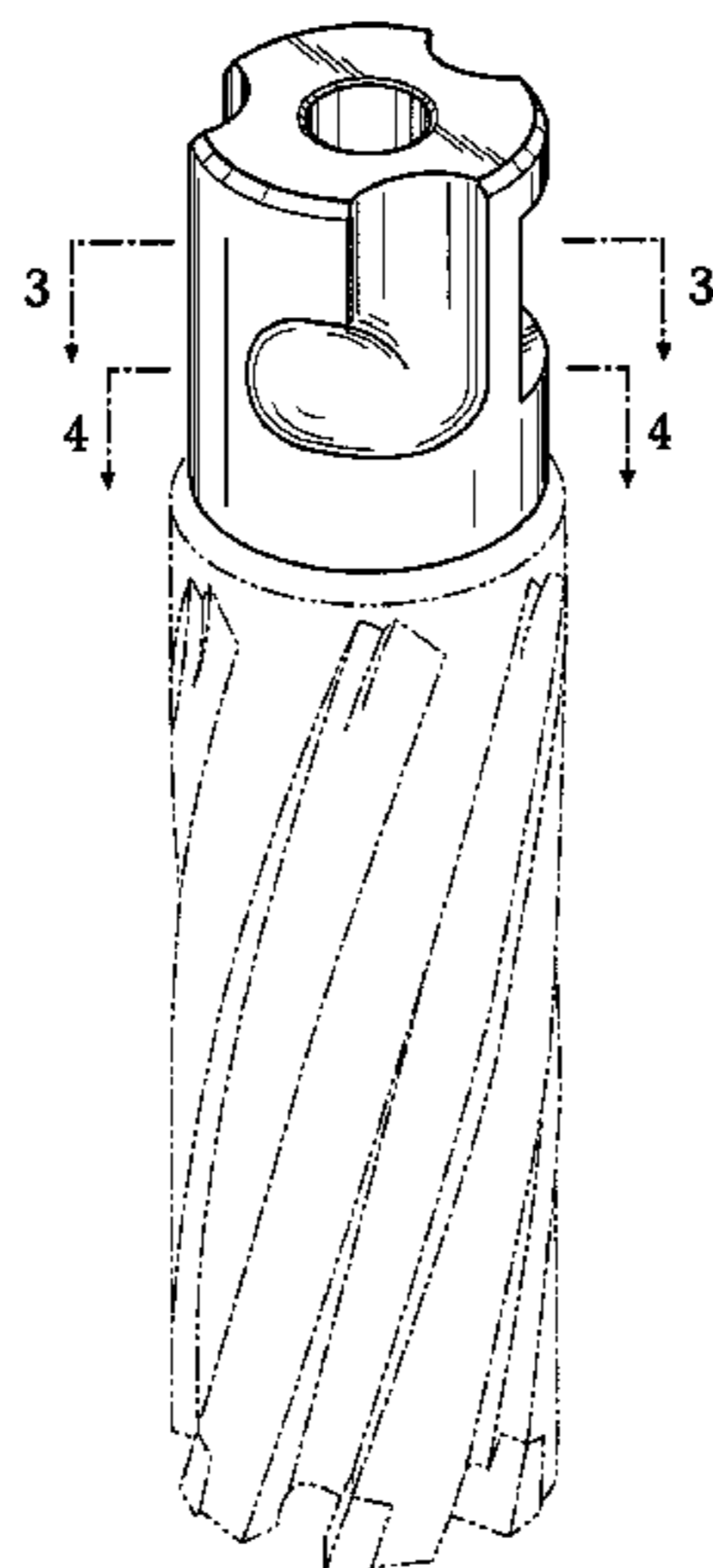
FIG. 6 is a left side view of the annular cutter of FIG. 1;

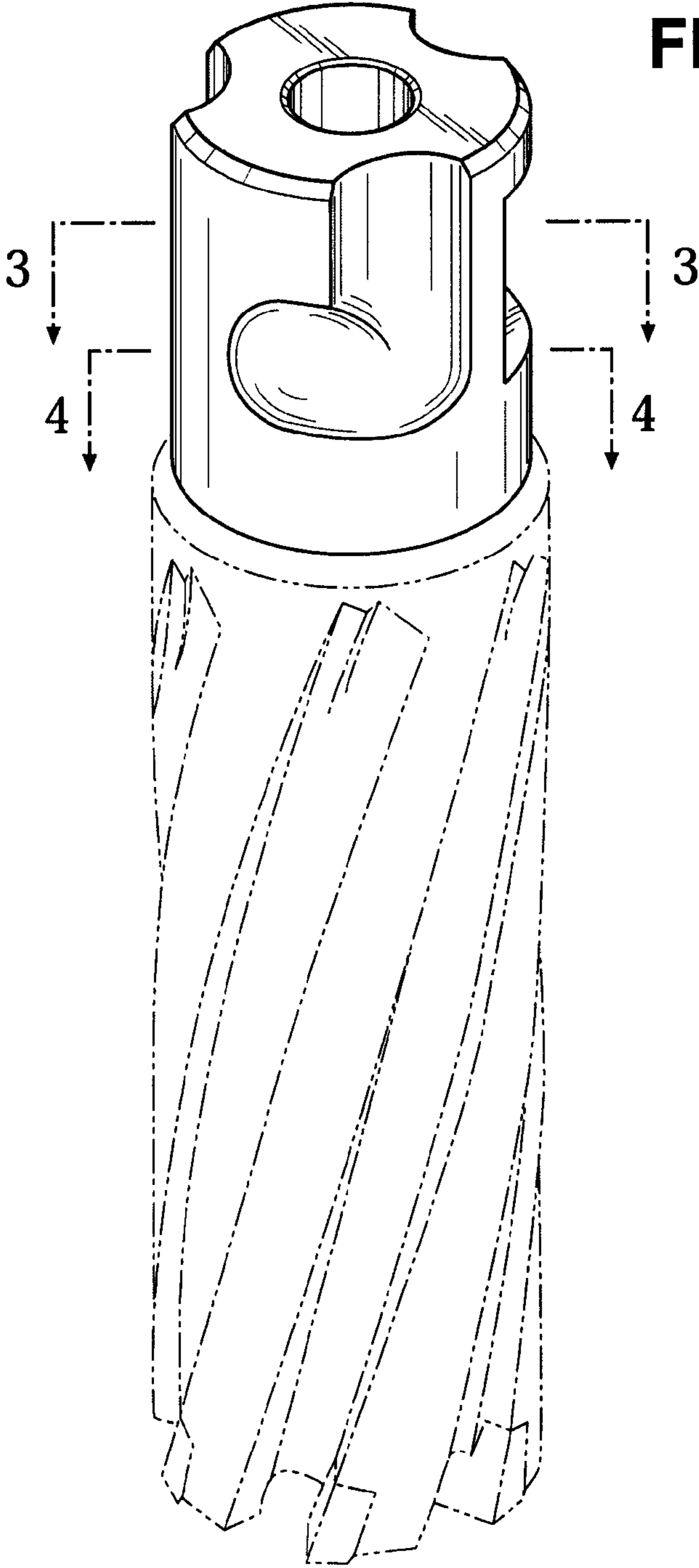
FIG. 7 is a rear view of the annular cutter of FIG. 1; and,

FIG. 8 is a right side view of the annular cutter of FIG. 1.

The broken line showing of the cutting portion of the annular cutter extending from the shank portion in FIGS. 1 and 5–8 is included for the purpose of illustrating the cutting portion of the annular cutter and forms no part of the claimed design.

1 Claim, 3 Drawing Sheets





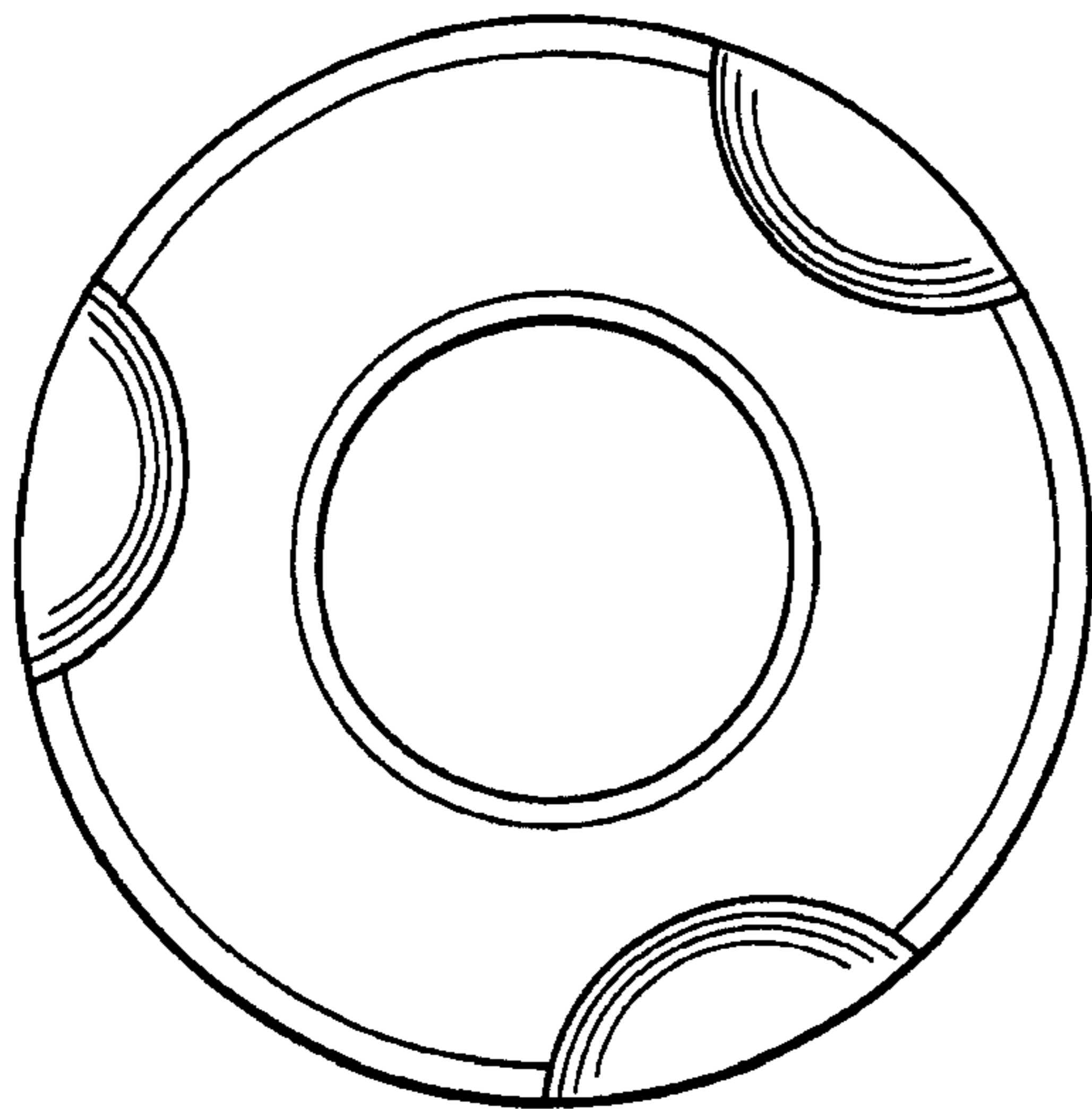


FIG - 2

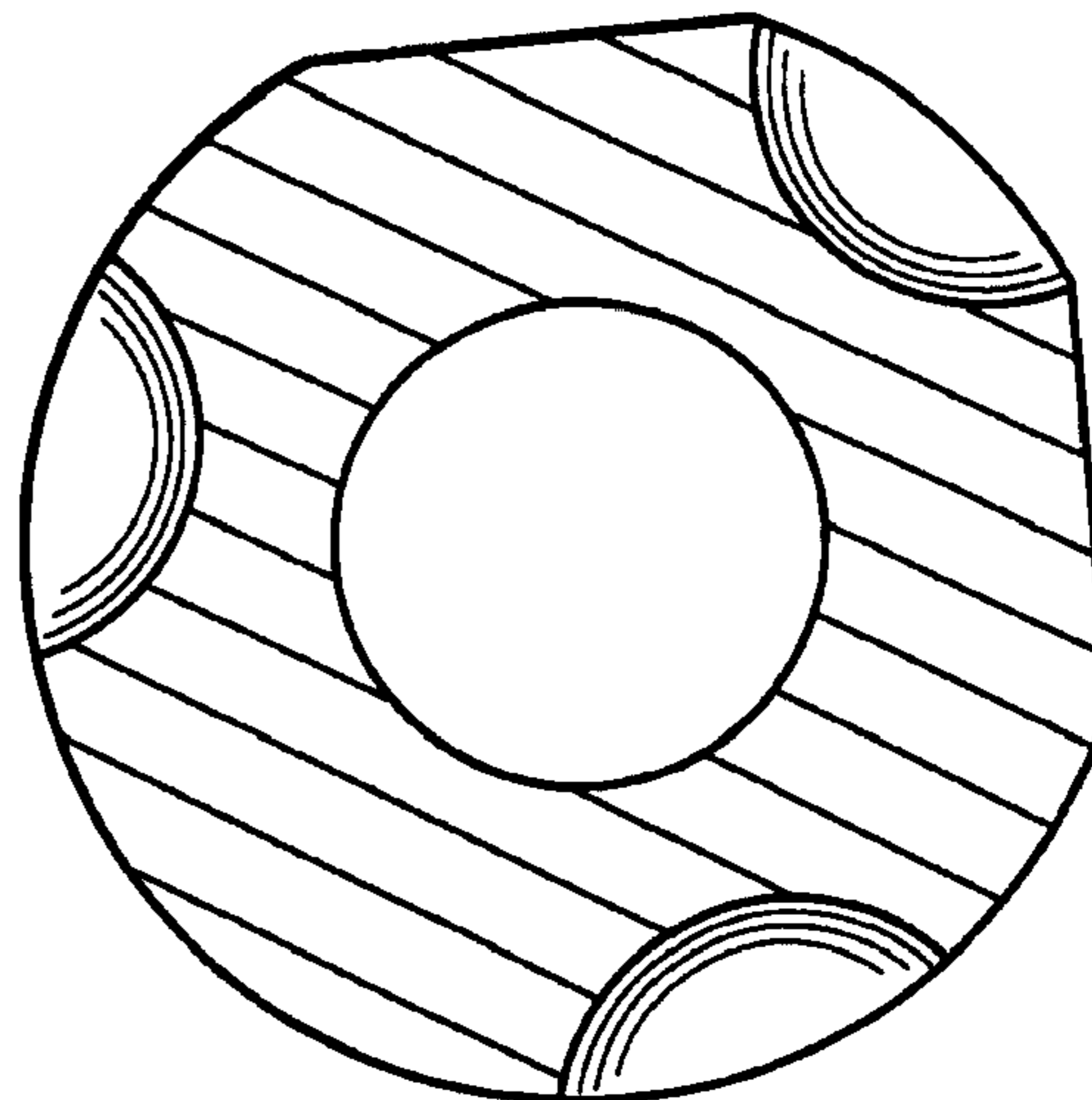


FIG - 3

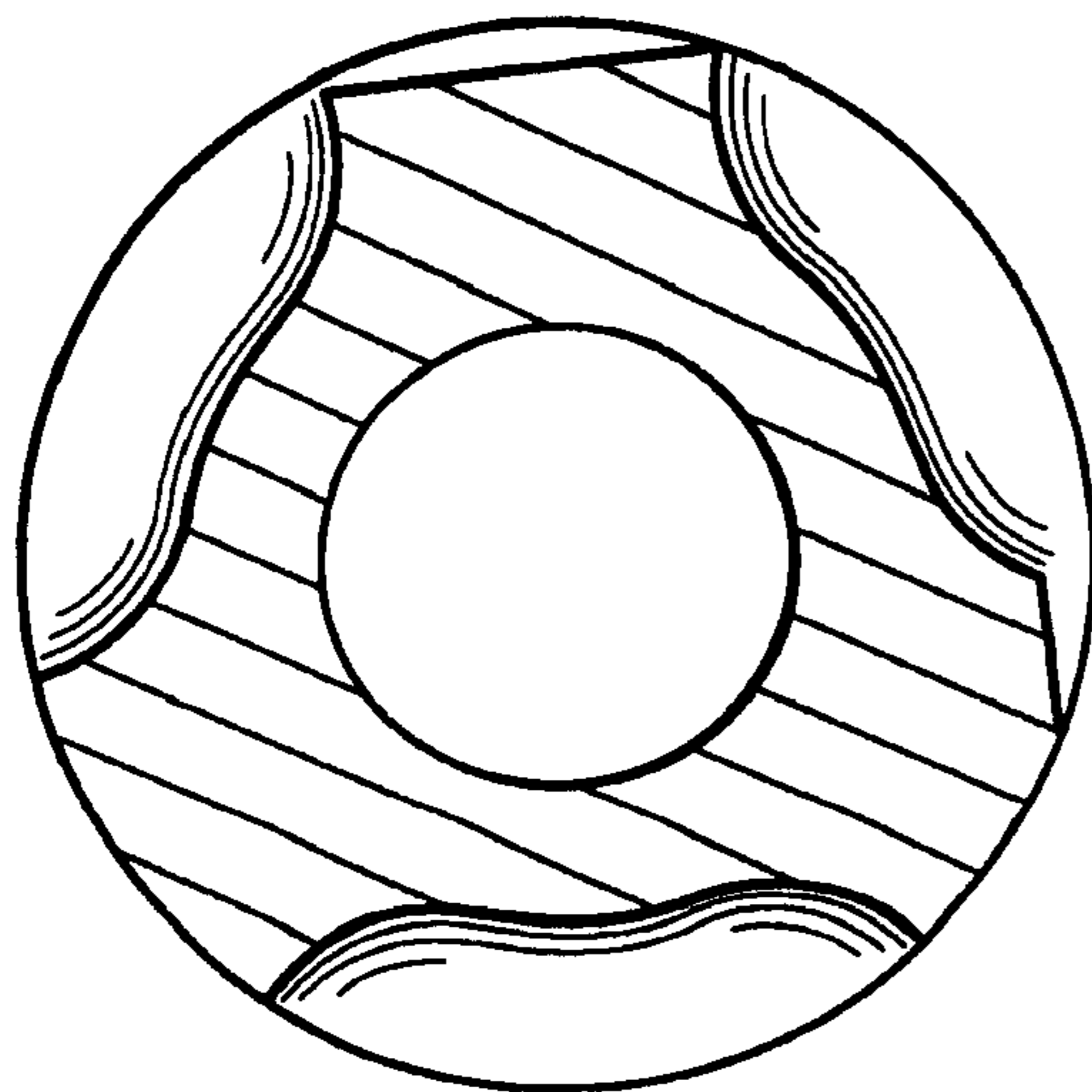


FIG - 4

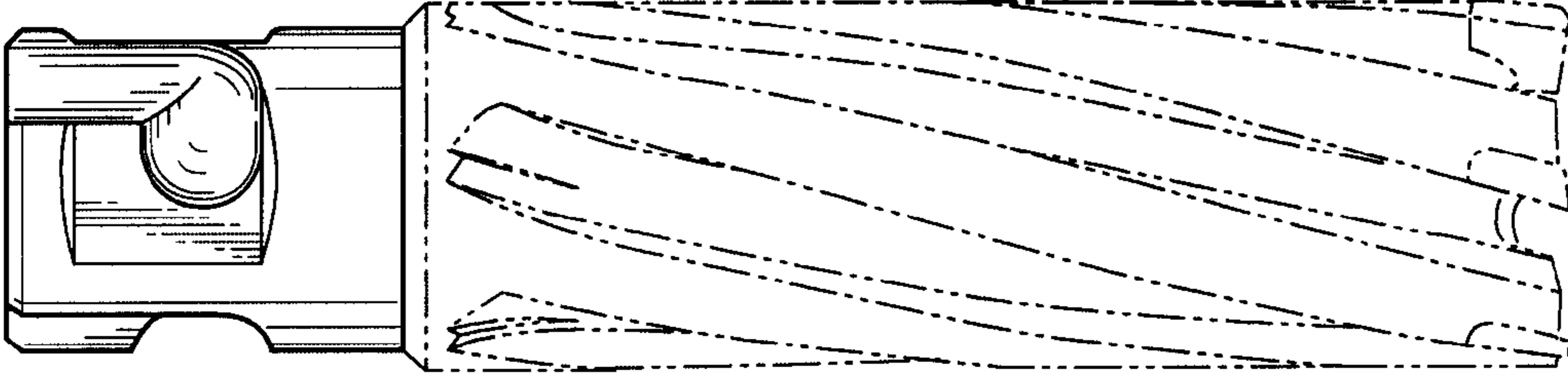


FIG - 5



FIG - 6

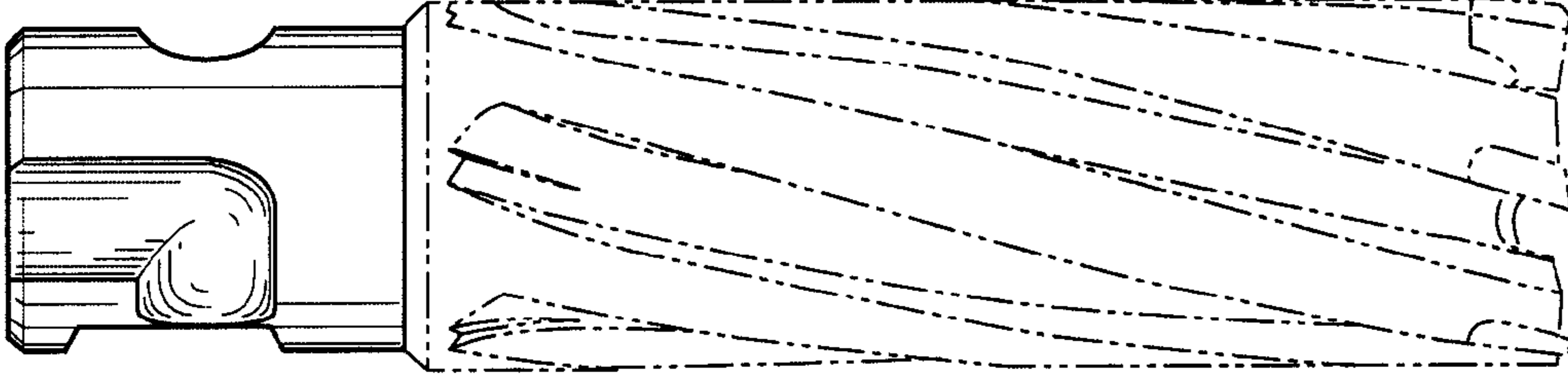


FIG - 7



FIG - 8