

US00D579029S

(12) **United States Design Patent**
Harsh

(10) **Patent No.:** **US D579,029 S**
(45) **Date of Patent:** **** Oct. 21, 2008**

(54) **LOW CENTER OF MASS TRACTOR**

(76) Inventor: **Timothy Harsh**, P.O. Box 154, Milton,
IN (US) 47357

(**) Term: **14 Years**

(21) Appl. No.: **29/283,211**

(22) Filed: **Aug. 8, 2007**

(51) **LOC (8) Cl.** **15-03**

(52) **U.S. Cl.** **D15/33**

(58) **Field of Classification Search** D15/10,
D15/22-26, 33, 28; 296/181.1, 181.5, 1.1,
296/203.01, 205; D12/86-88, 90-92

See application file for complete search history.

(56) **References Cited**

U.S. PATENT DOCUMENTS

2,127,032	A *	8/1938	Johnston et al.	180/312
2,167,848	A *	8/1939	Ostenberg	280/781
3,645,350	A *	2/1972	Deli et al.	180/9.1
4,045,075	A *	8/1977	Pulver	296/205
4,056,158	A	11/1977	Ross	
4,274,502	A	6/1981	Somerton-Rayner	
D268,746	S *	4/1983	Greenhalgh et al.	D12/88
4,772,037	A	9/1988	Jones	
4,828,017	A *	5/1989	Watanabe et al.	165/41
4,860,465	A	8/1989	Brandt	
4,961,395	A	10/1990	Coast	
5,251,713	A	10/1993	Enokimoto	
5,293,956	A	3/1994	Onishi	
5,327,989	A	7/1994	Furuhashi et al.	
5,901,800	A	5/1999	Wilson et al.	
6,371,767	B1 *	4/2002	Libby	434/373
6,460,643	B1	10/2002	Degelman	
6,471,225	B1	10/2002	Luh	
6,722,994	B2	4/2004	Woods et al.	

6,827,176	B2	12/2004	Bean et al.	
D500,707	S *	1/2005	Lu	D12/87
D503,658	S *	4/2005	Lu	D12/87
6,913,103	B2	7/2005	Kitasaka et al.	
D511,715	S	11/2005	Hohnl et al.	
D535,215	S *	1/2007	Turner et al.	D12/87
D542,308	S	5/2007	Oka et al.	
2001/0050497	A1 *	12/2001	Jaekel et al.	296/205
2002/0024237	A1 *	2/2002	Carcioffi	296/203.03
2006/0186699	A1 *	8/2006	Davis et al.	296/187.01
2007/0000715	A1 *	1/2007	Denney	180/311
2007/0246972	A1 *	10/2007	Favaretto	296/205

* cited by examiner

Primary Examiner—Mitchell I. Siegel

Assistant Examiner—Mark A Goodwin

(74) *Attorney, Agent, or Firm*—Michael A. Myers

(57) **CLAIM**

The ornamental design for a low center of mass tractor, as shown and described.

DESCRIPTION

FIG. 1 is an elevated left front perspective view of a low center of mass tractor showing my new design;

FIG. 2 is a left side view thereof;

FIG. 3 is a front view thereof;

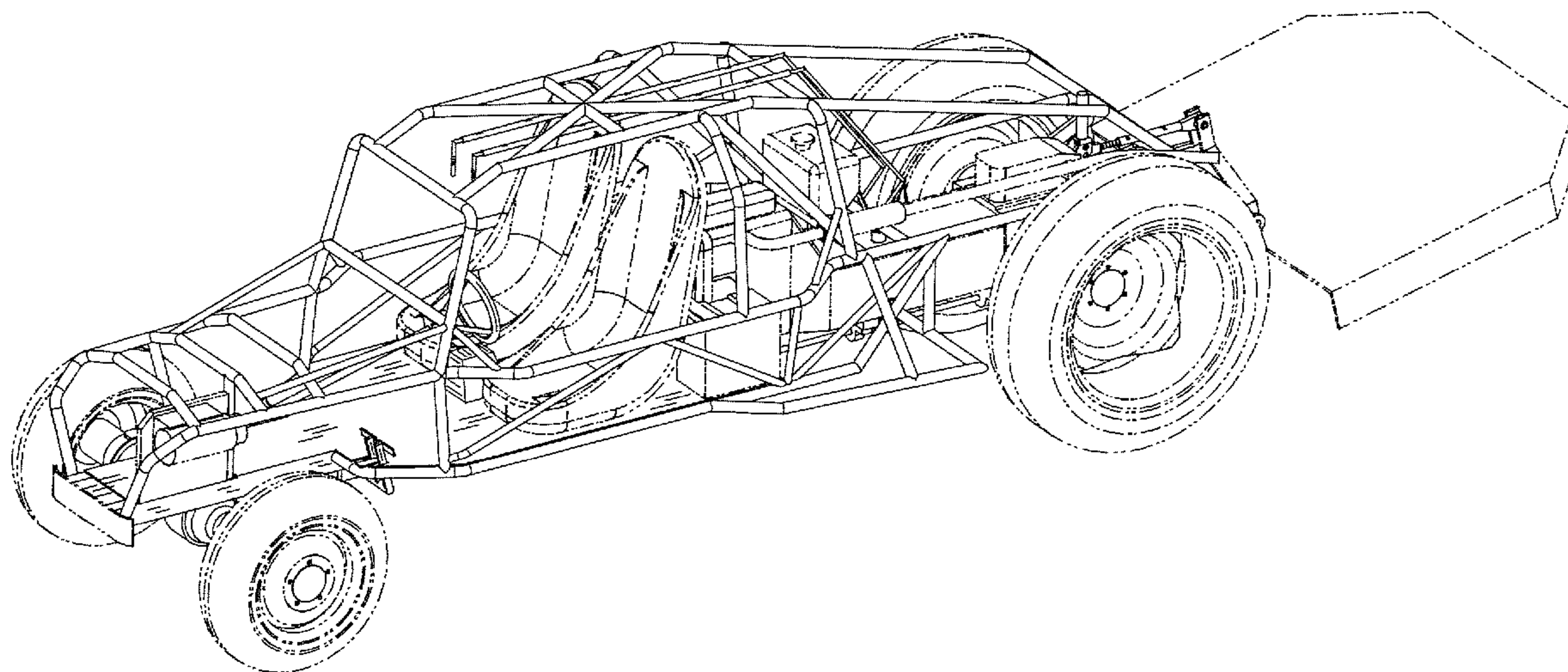
FIG. 4 is a rear view thereof;

FIG. 5 is a right side view thereof; and,

FIG. 6 is a top view thereof; and FIG. 7 is a bottom view thereof.

The broken line showing in FIGS. 1-7 is included for the purpose of illustrating environmental structure and forms no part of the claimed design.

1 Claim, 6 Drawing Sheets



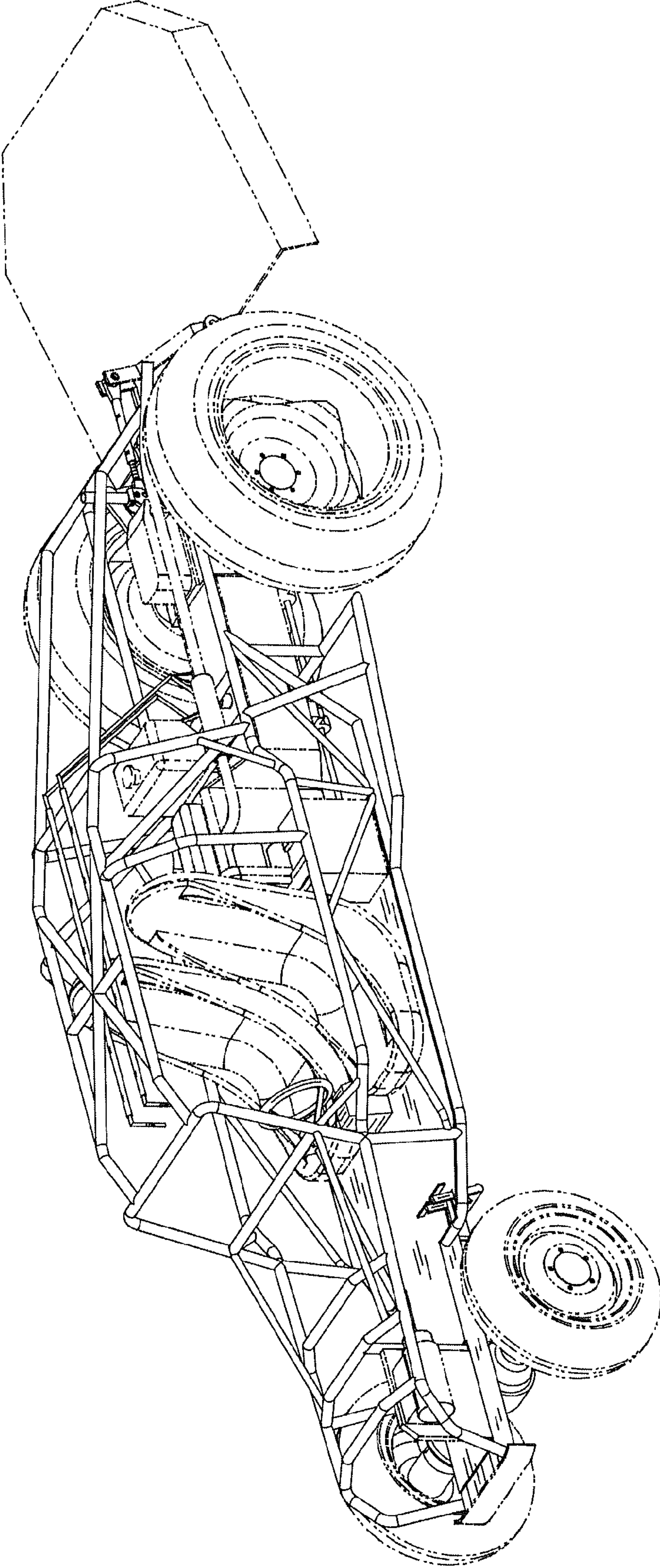


FIG. 1

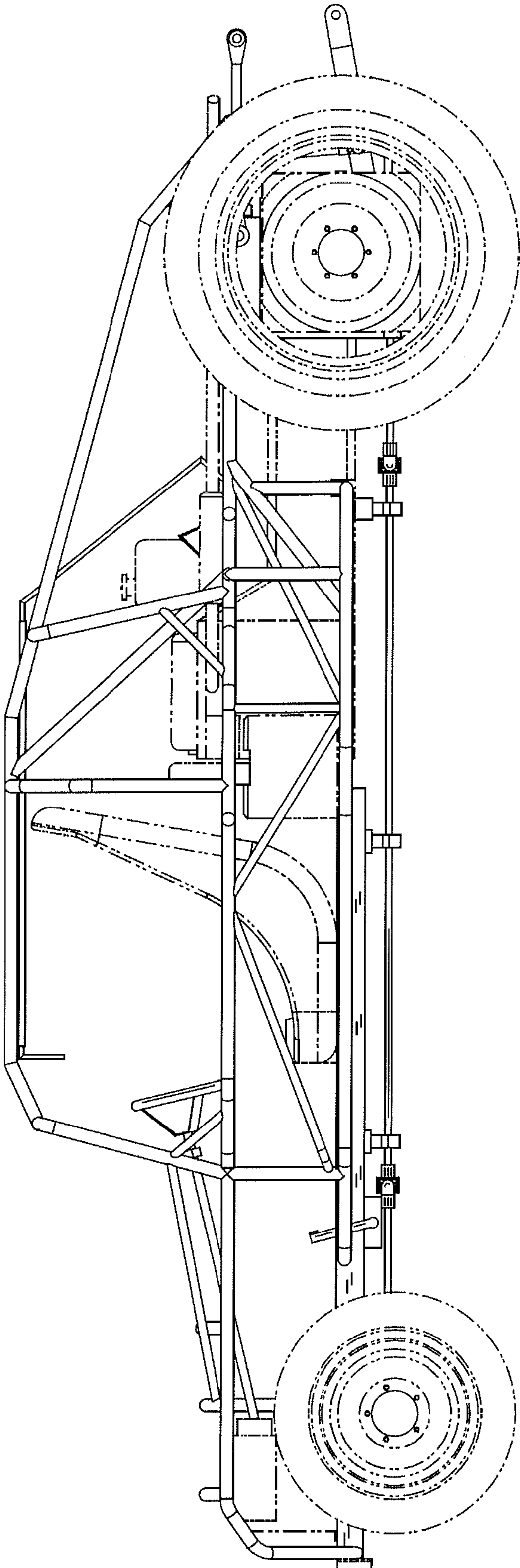


FIG. 2

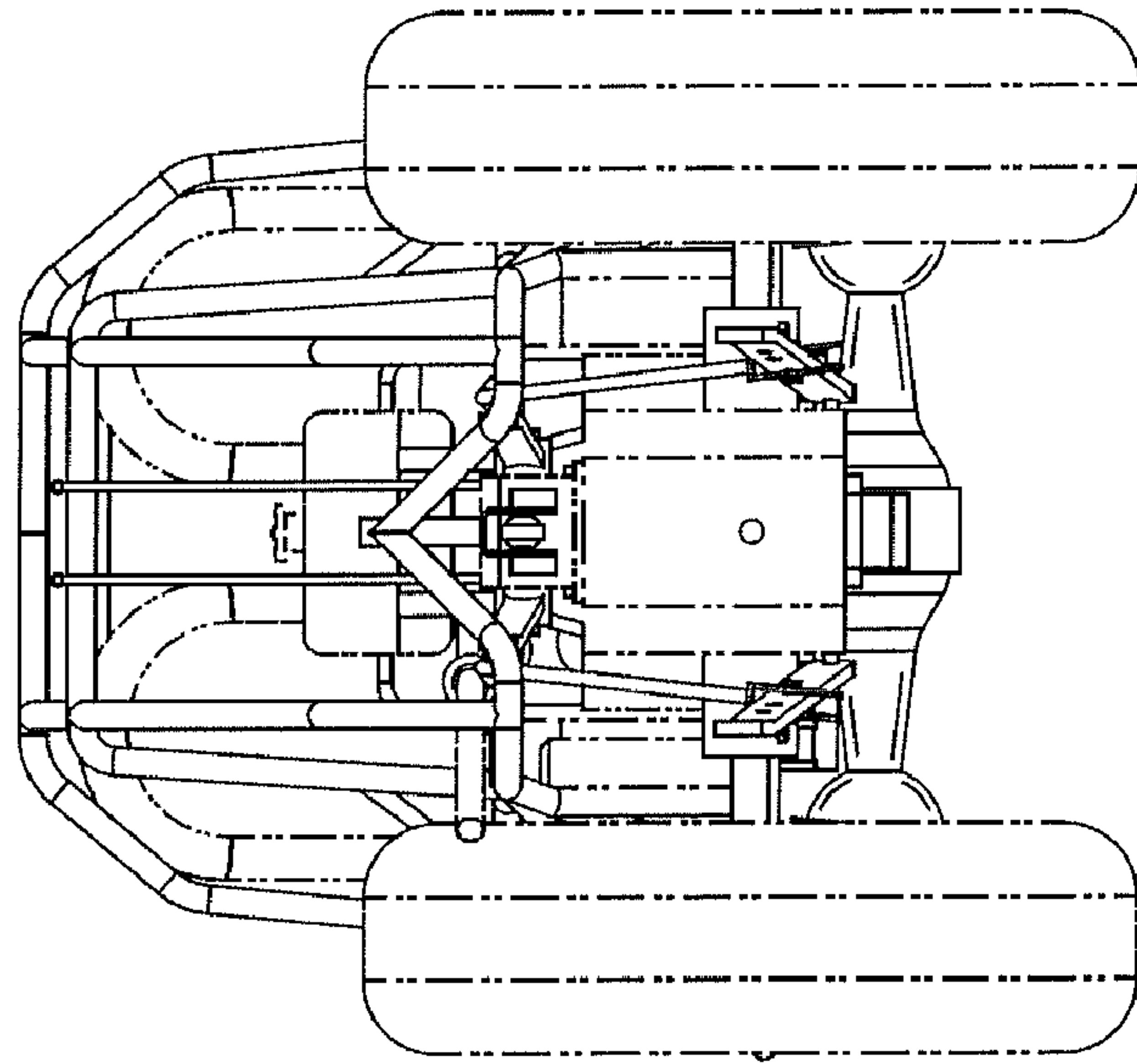


FIG. 4

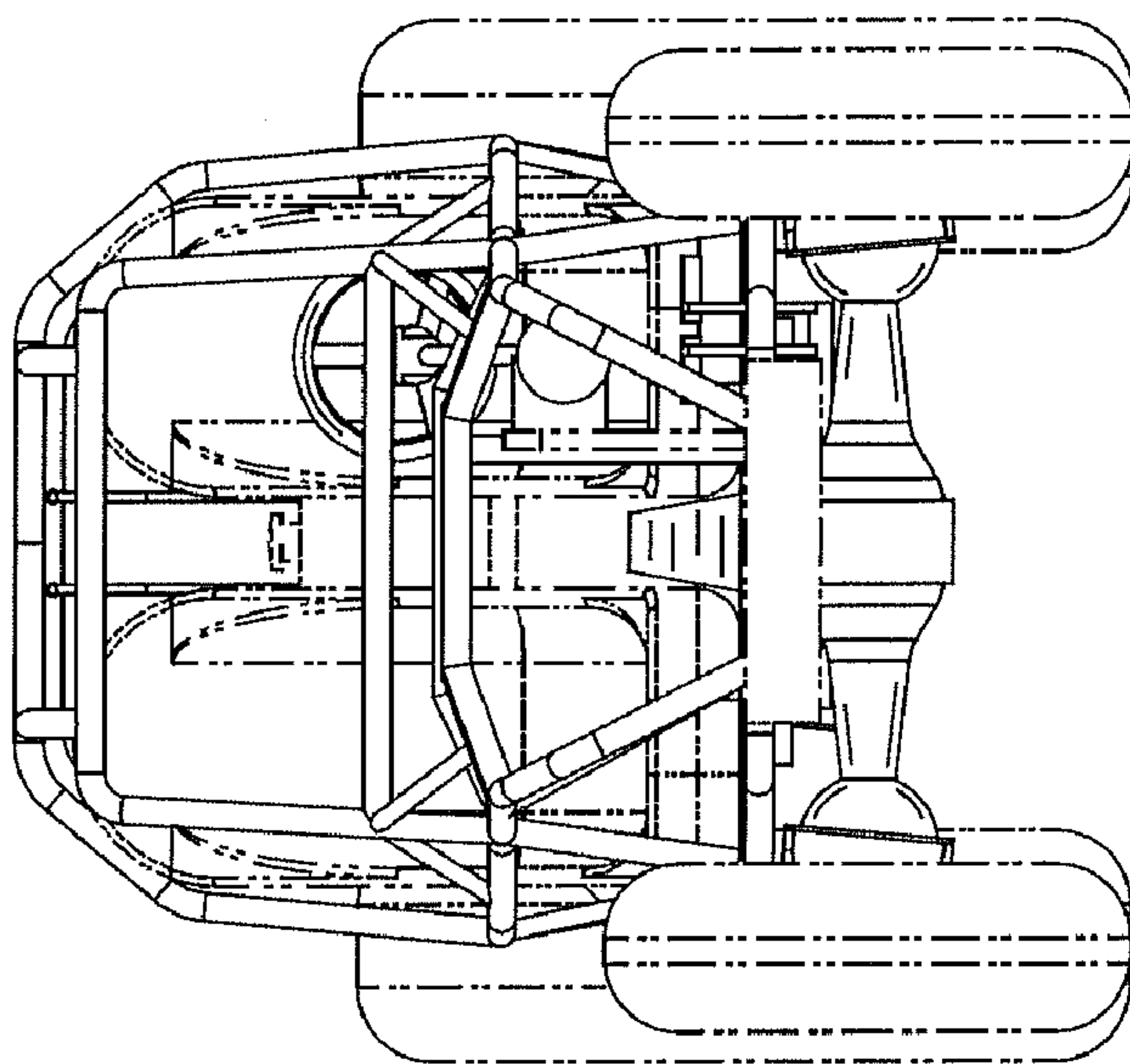


FIG. 3

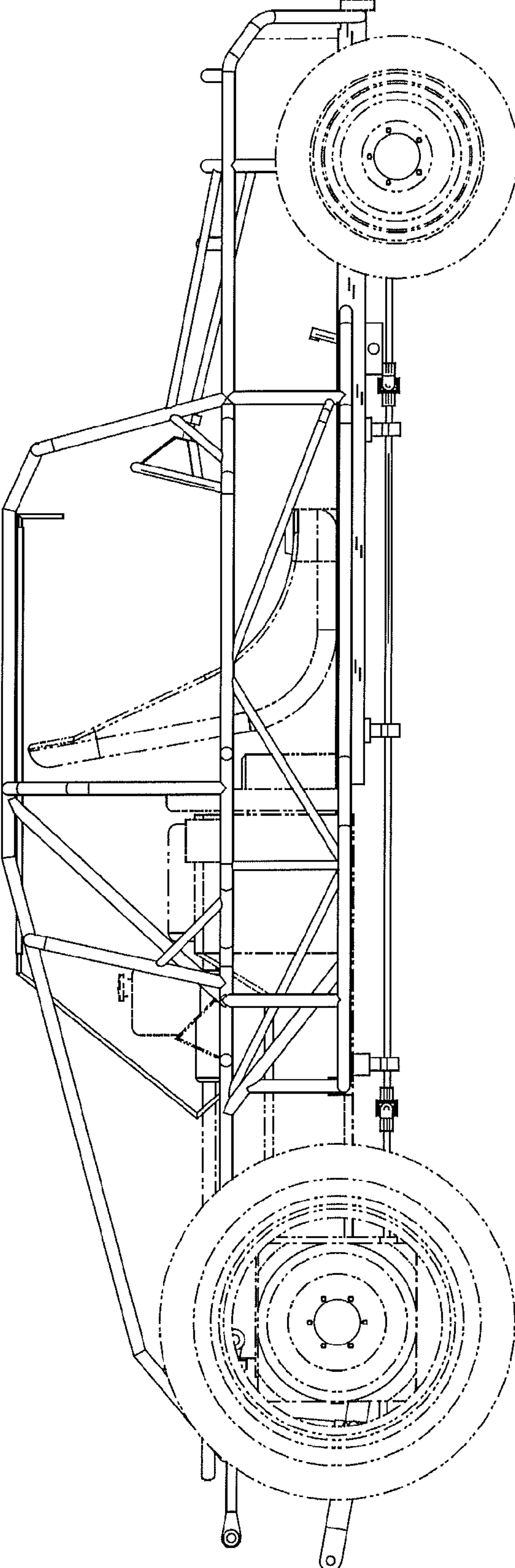


FIG. 5

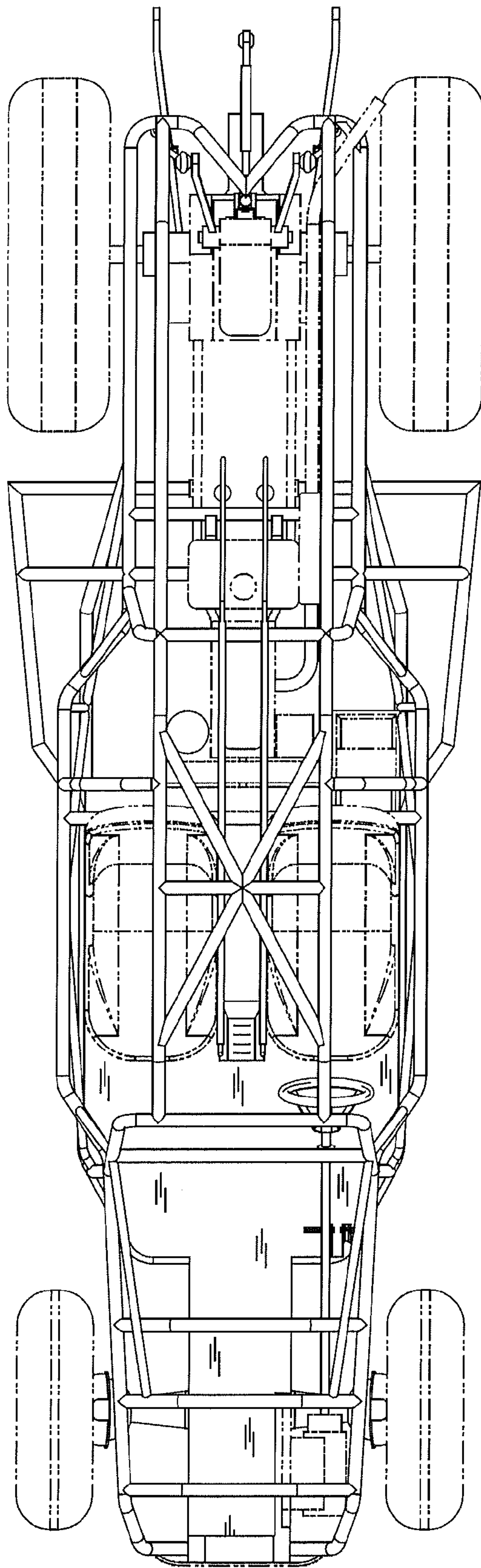


FIG. 6

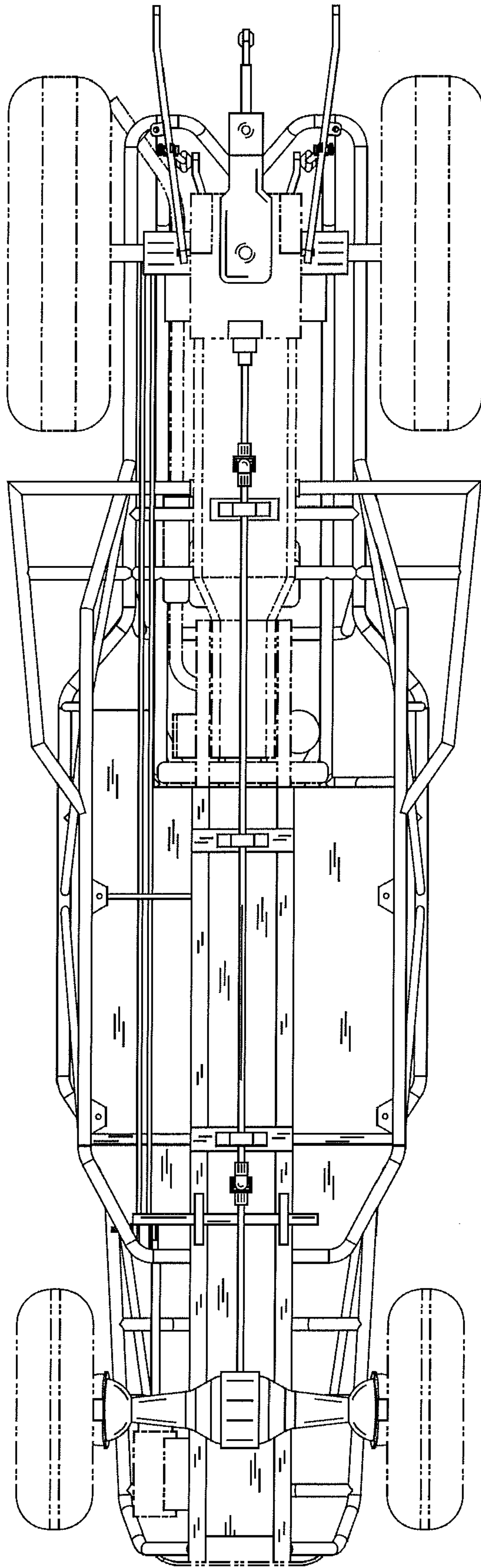


FIG. 7