



US00D579028S

(12) **United States Design Patent**
VanDeVeer et al.

(10) **Patent No.:** **US D579,028 S**
(45) **Date of Patent:** **** Oct. 21, 2008**

(54) **CAB FOR AN EARTH WORKING MACHINE**

(75) Inventors: **Brad R. VanDeVeer**, Washington, IL (US); **Aaron R. Hayes**, Emden, IL (US); **Christopher D. Derham**, East Peoria, IL (US); **Ashley D. Menges**, Radnor, OH (US)

(73) Assignee: **Caterpillar Inc.**, Peoria, IL (US)

(**) Term: **14 Years**

(21) Appl. No.: **29/303,443**

(22) Filed: **Feb. 8, 2008**

Related U.S. Application Data

(63) Continuation-in-part of application No. 11/214,904, filed on Aug. 31, 2005, now Pat. No. 7,347,488.

(51) **LOC (8) Cl.** **15-03**

(52) **U.S. Cl.** **D15/30**

(58) **Field of Classification Search** D15/10,
D15/22-26, 28, 30, 31; 180/89.11, 89.12,
180/89.13, 89.19, 900; 296/190.01, 190.08,
296/210, 190, 202

See application file for complete search history.

(56) **References Cited**

U.S. PATENT DOCUMENTS

D208,402 S * 8/1967 Hofmann D15/30
D229,046 S * 11/1973 Purcell et al. D15/30
3,802,530 A * 4/1974 Purcell et al. 180/89.12

RE29,123 E * 1/1977 Malm et al. 296/35.1
D249,522 S * 9/1978 Elfes et al. D15/30
D275,199 S * 8/1984 Schmidt et al. D15/30
D297,329 S * 8/1988 Monehaie et al. D15/30
5,413,188 A * 5/1995 Ui 180/89.12
D384,358 S * 9/1997 Smith D15/30
D528,134 S * 9/2006 Vandendriessche et al. .. D15/30
D541,825 S * 5/2007 Pettersson D15/30
D541,826 S * 5/2007 Brush et al. D15/30
7,347,488 B2 * 3/2008 Hayes et al. 296/190.08

* cited by examiner

Primary Examiner—Stella M. Reid

Assistant Examiner—Mark A Goodwin

(74) *Attorney, Agent, or Firm*—Jeff A. Greene

(57) **CLAIM**

The ornamental design for a cab for an earth working machine, as shown and described.

DESCRIPTION

FIG. 1 is a right side perspective view for a cab for an earth working machine showing our new design;

FIG. 2 is a frontal elevational view thereof;

FIG. 3 is a right side elevational view thereof;

FIG. 4 is a left side elevational thereof;

FIG. 5 is a top view thereof;

FIG. 6 is a bottom view thereof; and,

FIG. 7 is a rear elevational view thereof.

1 Claim, 7 Drawing Sheets

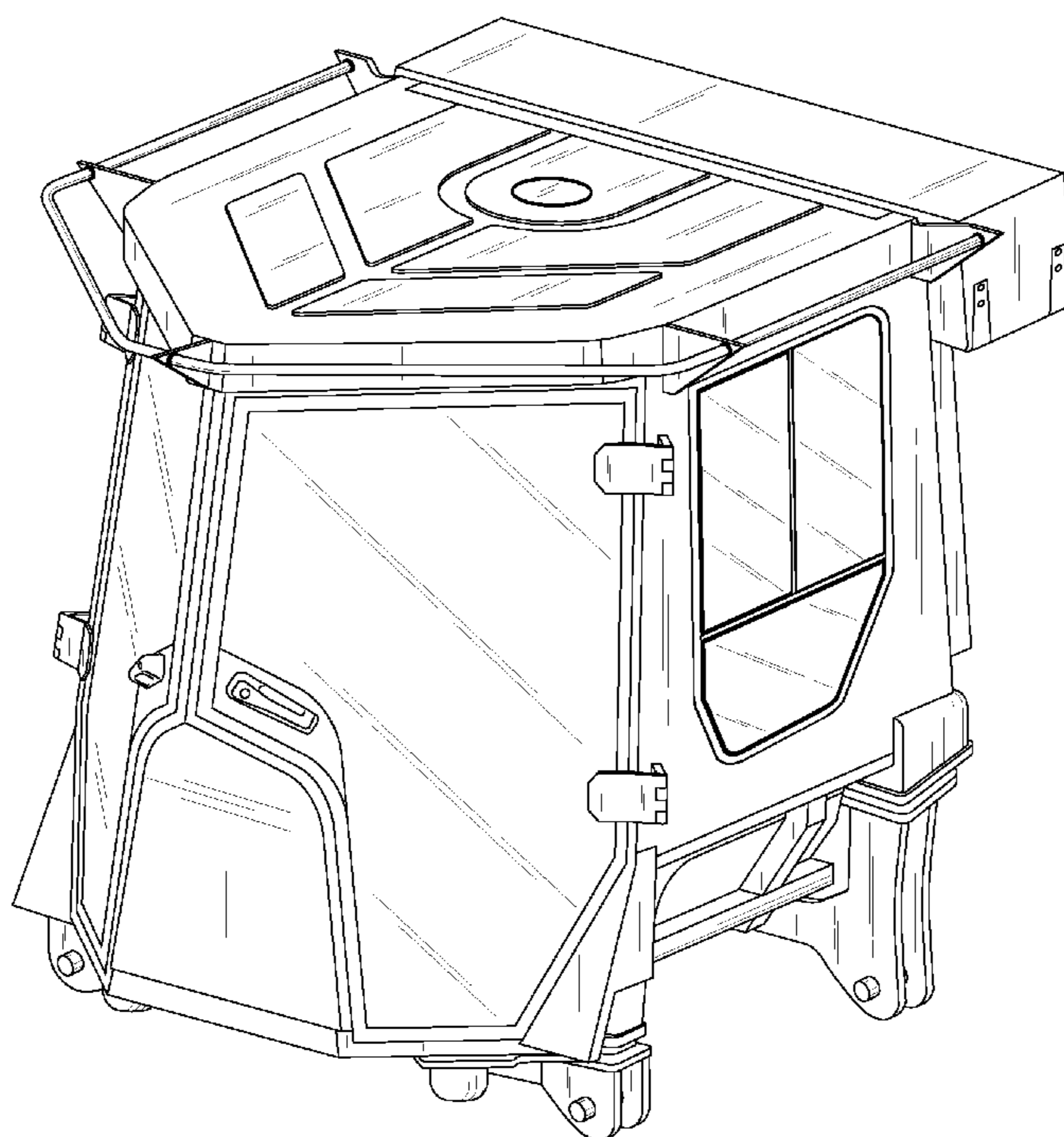


FIG. 1

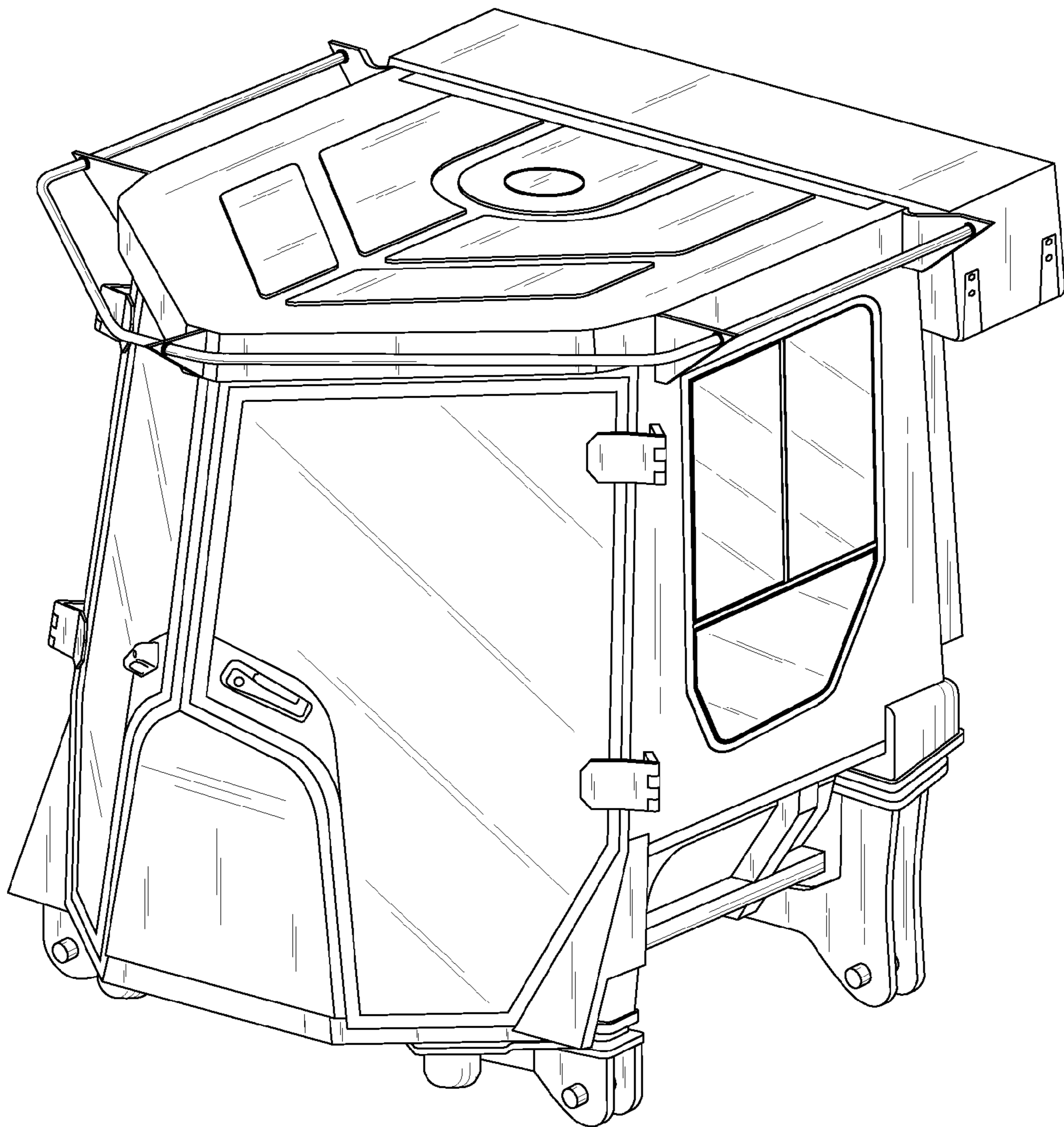


FIG. 2

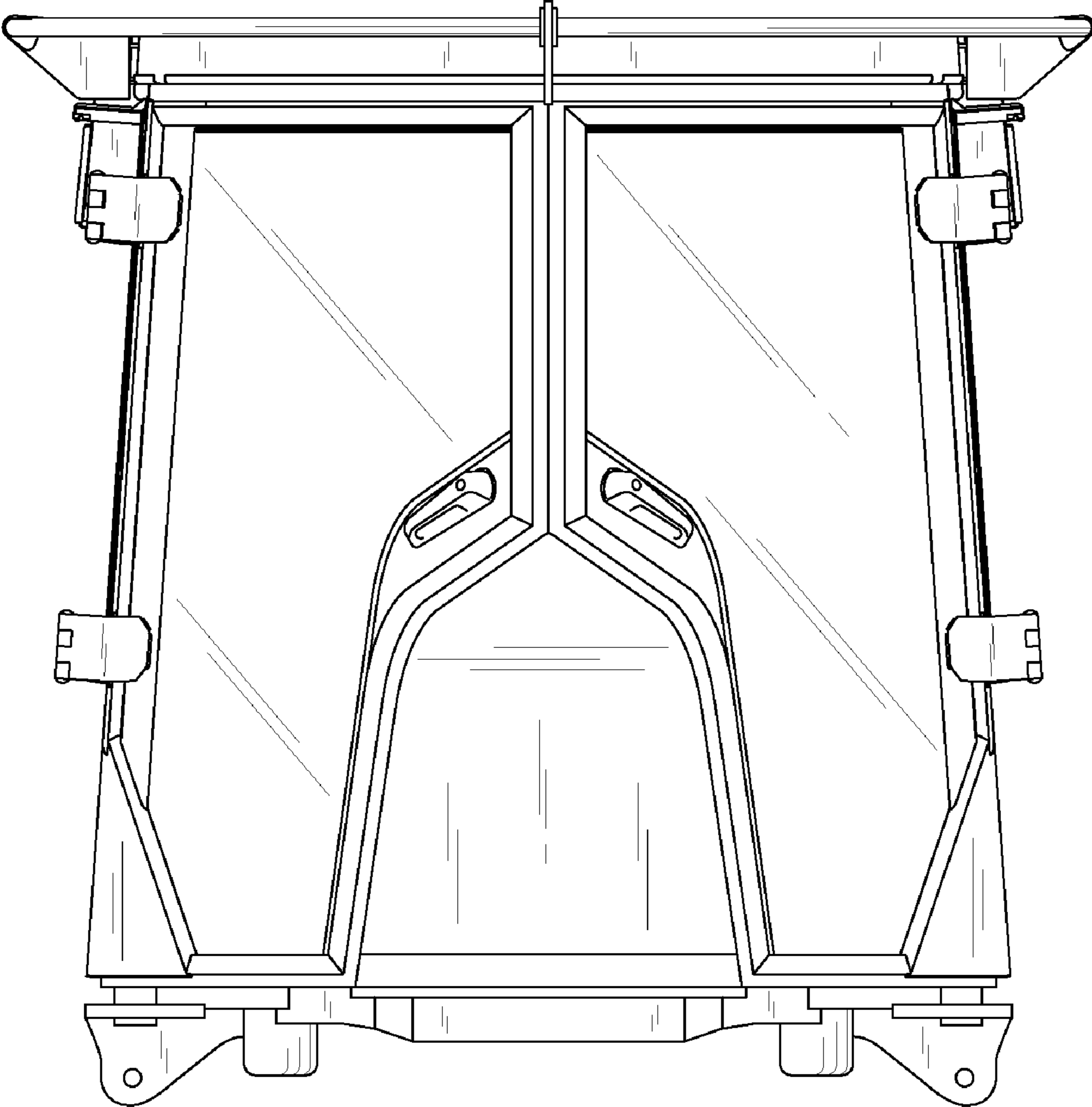


FIG. 3

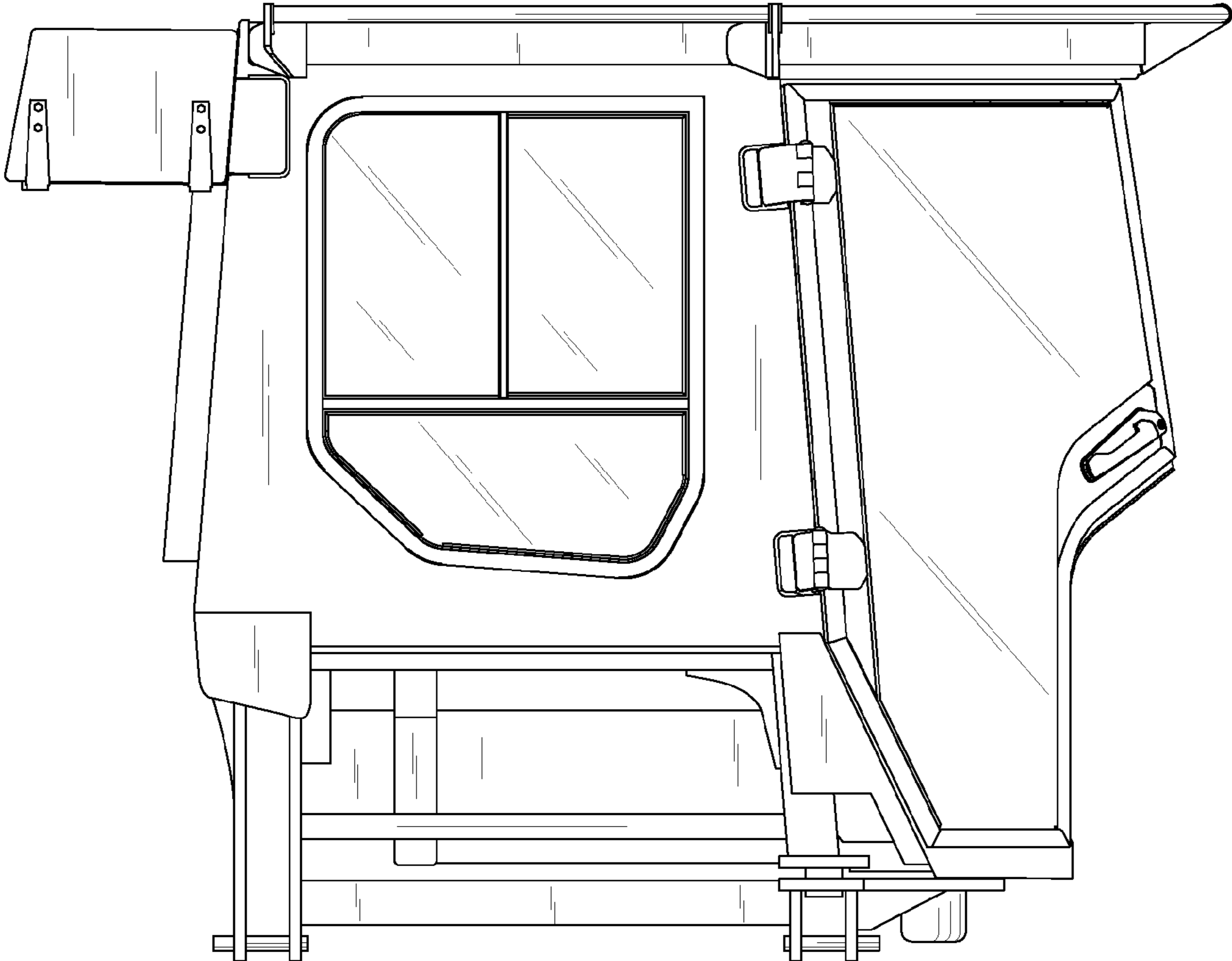


FIG. 4

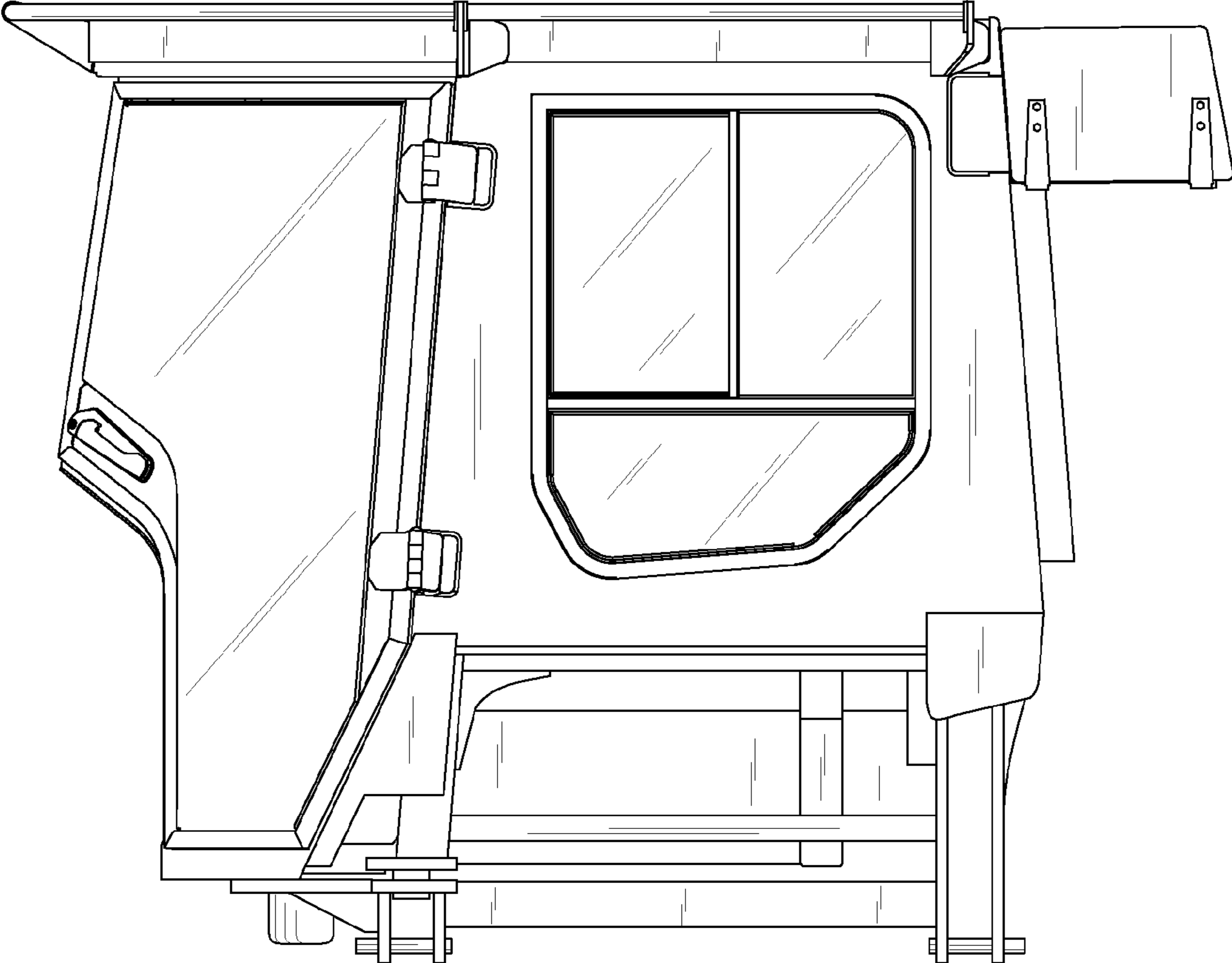


FIG. 5

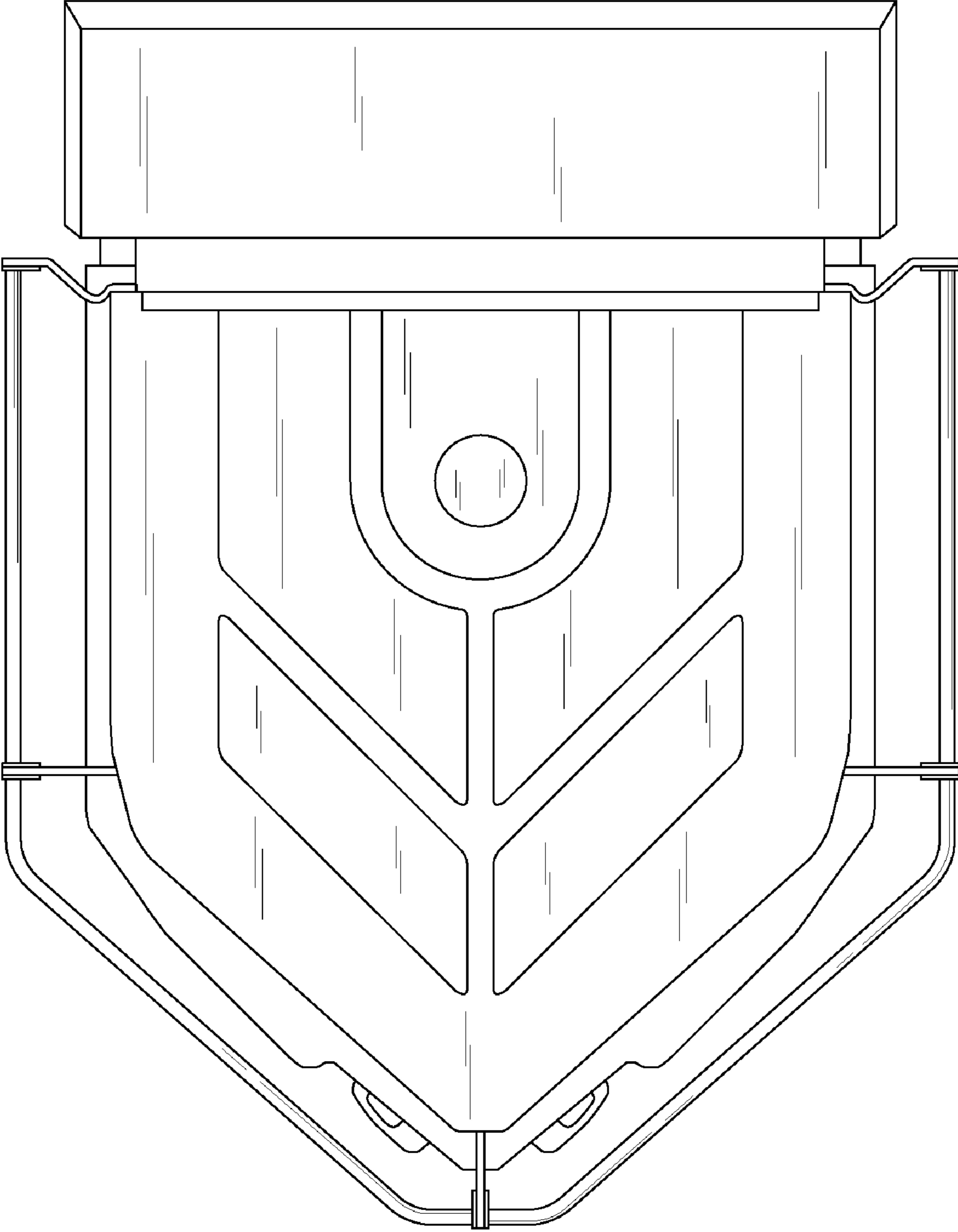


FIG. 6

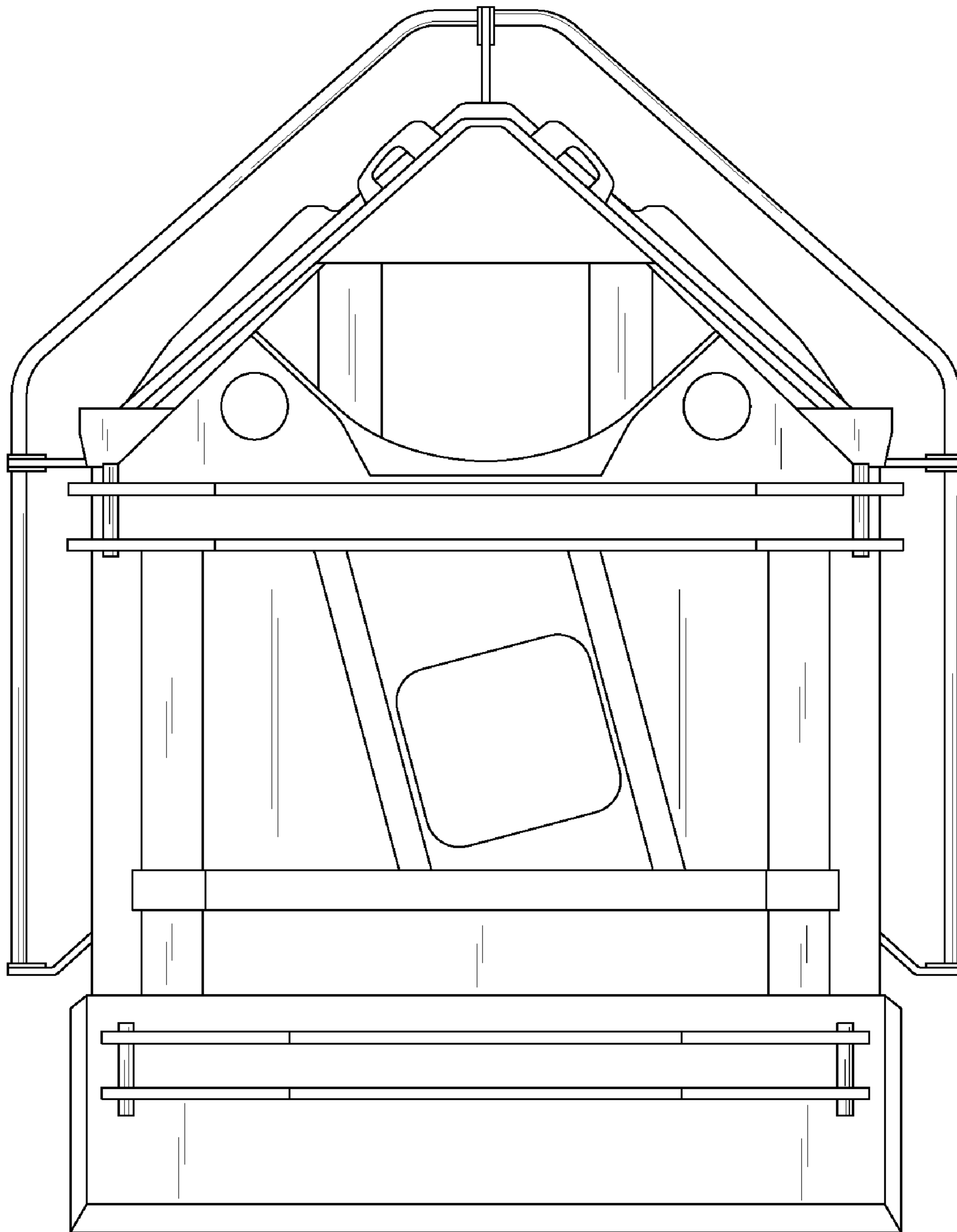


FIG. 7

