



US00D579027S

(12) **United States Design Patent**
Kato

(10) **Patent No.:** **US D579,027 S**
(45) **Date of Patent:** **** Oct. 21, 2008**

(54) **SHOVEL LOADER**

(75) Inventor: **Naoto Kato**, Karaiya (JP)

(73) Assignee: **Kabushiki Kaisha Toyota Jidoshokki**,
Kariya-shi (JP)

(**) Term: **14 Years**

(21) Appl. No.: **29/303,924**

(22) Filed: **Feb. 20, 2008**

Related U.S. Application Data

(62) Division of application No. 29/292,684, filed on Oct. 23, 2007, now Pat. No. Des. 573,160.

(30) **Foreign Application Priority Data**

Apr. 24, 2007 (JP) 2007-011042
Apr. 24, 2007 (JP) 2007-011043

(51) **LOC (8) Cl.** **12-09**

(52) **U.S. Cl.** **D15/25**

(58) **Field of Classification Search** D15/10,
D15/22-26; 414/685, 686; 180/89.1, 89.12,
180/900

See application file for complete search history.

(56) **References Cited**

U.S. PATENT DOCUMENTS

D224,588 S 8/1972 Bauer D15/23
D231,482 S 4/1974 Bauer D15/25
3,828,952 A 8/1974 Klee 414/697
3,895,728 A 7/1975 Heggen 414/697
3,963,131 A 6/1976 Dimmer 414/697
4,055,262 A 10/1977 Bauer et al. 414/697
D247,814 S 5/1978 Johnson et al. D15/23
D251,088 S 2/1979 Johnson et al. D15/23
D259,631 S 6/1981 Ramacciotti D34/34
4,295,779 A 10/1981 Shumaker 414/685
D272,825 S 2/1984 Cochran et al. D15/25

D272,826 S 2/1984 Cochran et al. D15/25
4,705,449 A 11/1987 Christianson et al. 414/685
D314,389 S 2/1991 Lynnes et al. D15/25
D317,926 S 7/1991 Lynnes et al. D15/25
D322,792 S 12/1991 Park D15/25

(Continued)

FOREIGN PATENT DOCUMENTS

JP D0863011 3/1993

(Continued)

Primary Examiner—Mitchell I. Siegel
Assistant Examiner—Mark A Goodwin
(74) *Attorney, Agent, or Firm*—Morgan & Finnegan, LLP

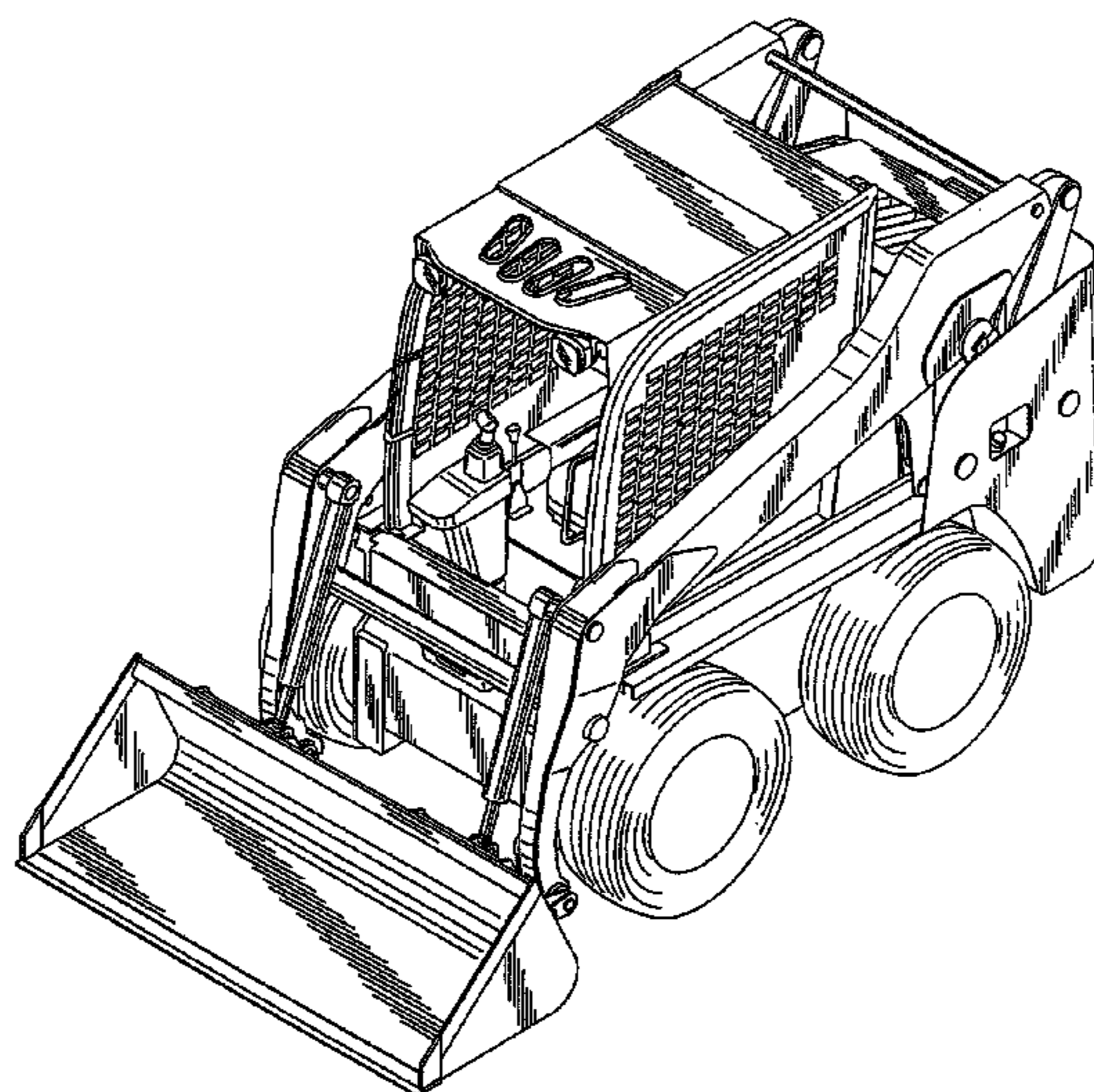
(57) **CLAIM**

The ornamental design for a shovel loader, as shown and described.

DESCRIPTION

FIG. 1 is a front perspective view of a shovel loader showing my new design;
FIG. 2 is a rear perspective view thereof;
FIG. 3 is a front view thereof;
FIG. 4 is a rear view thereof;
FIG. 5 is a top plan view thereof;
FIG. 6 is a left side elevational view thereof; and,
FIG. 7 is a right side elevational view thereof.
The bottom of the article forms no part of the claimed design.

1 Claim, 7 Drawing Sheets



US D579,027 S

Page 2

U.S. PATENT DOCUMENTS

5,169,277 A 12/1992 Orser et al. 414/685
5,169,278 A 12/1992 Hoechst et al. 414/685
5,240,366 A 8/1993 Bamford 414/686
5,470,190 A 11/1995 Bamford et al. 414/686
5,542,814 A * 8/1996 Ashcroft et al. 414/815
D376,372 S 12/1996 Little et al. D15/23
5,609,464 A * 3/1997 Moffitt et al. 414/685
5,807,061 A 9/1998 Donoghue et al. 414/710
D419,568 S 1/2000 Baig et al. D15/25
D423,521 S 4/2000 Walter et al. D15/23
D424,778 S 5/2000 Dahl et al. D34/34
6,079,938 A 6/2000 Anderson et al. 414/685
6,098,739 A 8/2000 Anderson et al. 180/312
6,138,786 A 10/2000 Anderson et al. 180/312
6,205,665 B1 3/2001 Anderson et al. 29/897.2
6,283,220 B1 9/2001 Carter 169/24
6,293,364 B1 9/2001 Anderson et al. 180/312

D450,718 S 11/2001 Muraro D15/25
6,474,933 B1 * 11/2002 Hoechst et al. 414/815
D468,754 S 1/2003 Dershem et al. D15/28
D492,327 S 6/2004 Albright et al. D15/23
6,796,762 B2 9/2004 Vicars, III et al. 414/685
D504,136 S 4/2005 Albright et al. D15/23
D520,525 S 5/2006 Enmeiji et al. D15/23
2002/0064445 A1 5/2002 Dershem et al. 414/686
2004/0018078 A1 1/2004 Vicars et al. 414/900
2005/0196262 A1 9/2005 Yamashita 414/685
2006/0182591 A1 8/2006 Hackett et al. 414/685
2006/0269386 A1 11/2006 Layko et al. 414/685

FOREIGN PATENT DOCUMENTS

JP D1070695 5/2000
JP D1193286 1/2004
JP D1229609 2/2005

* cited by examiner

FIG. 1

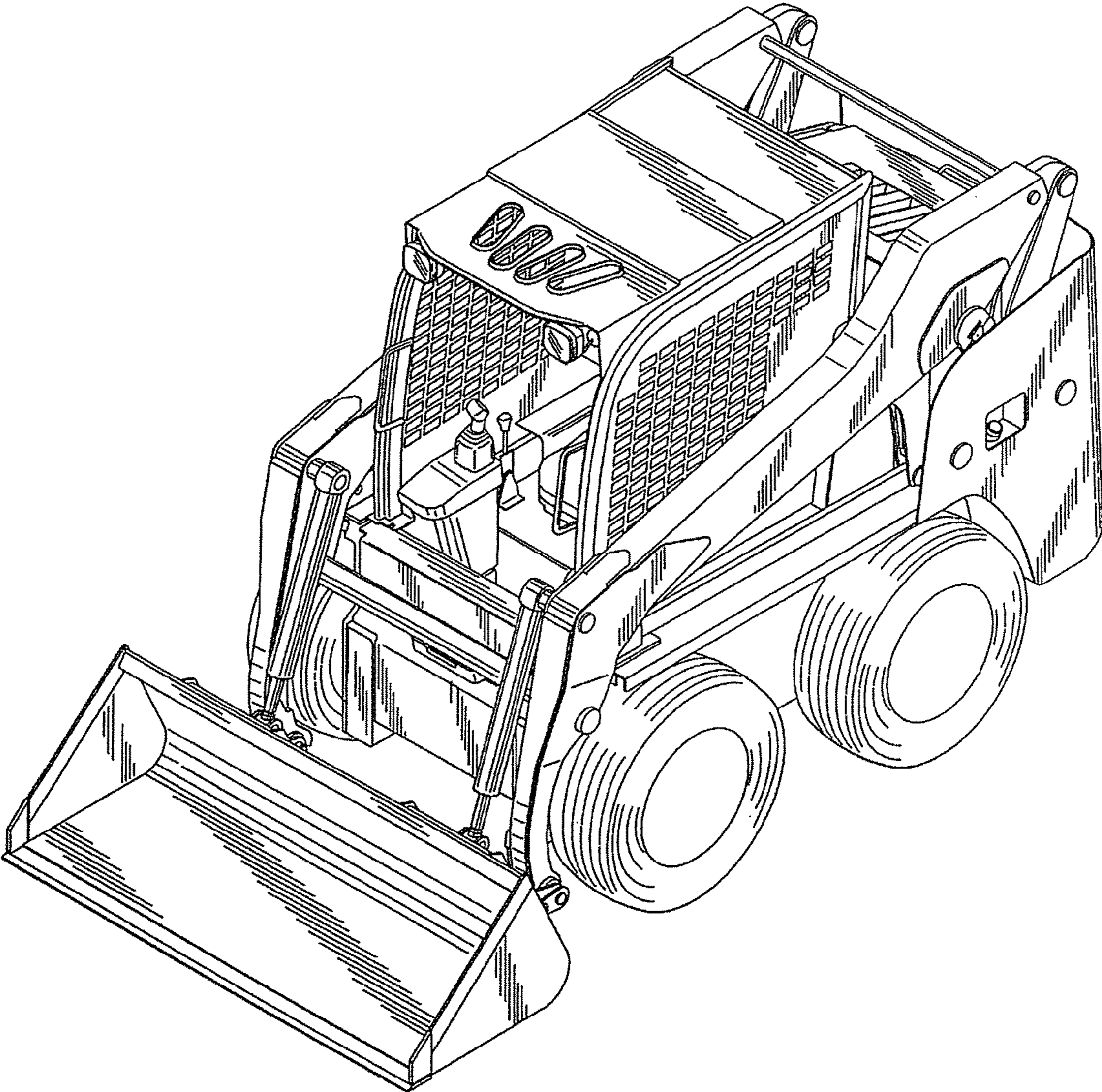


FIG. 2

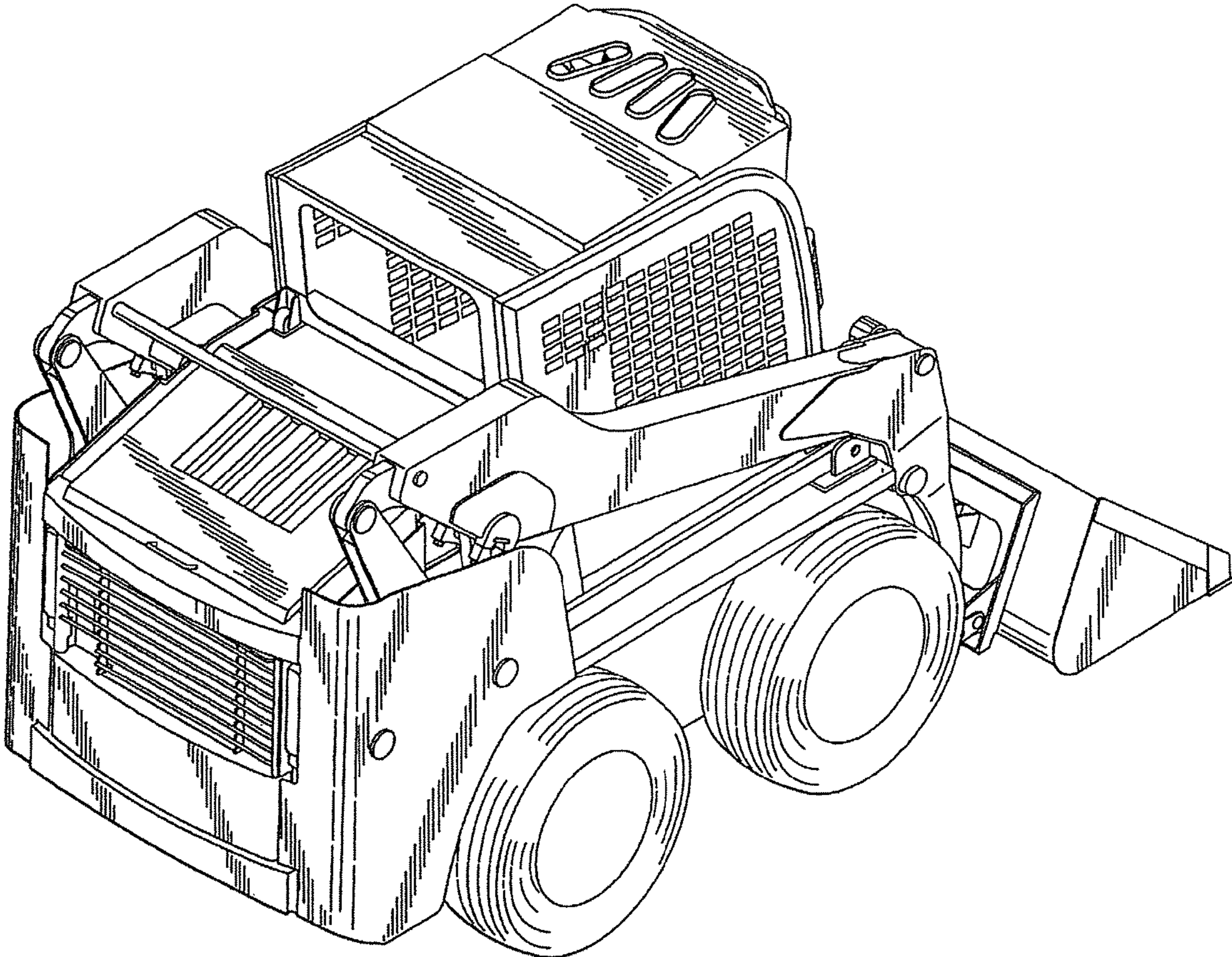


FIG. 3

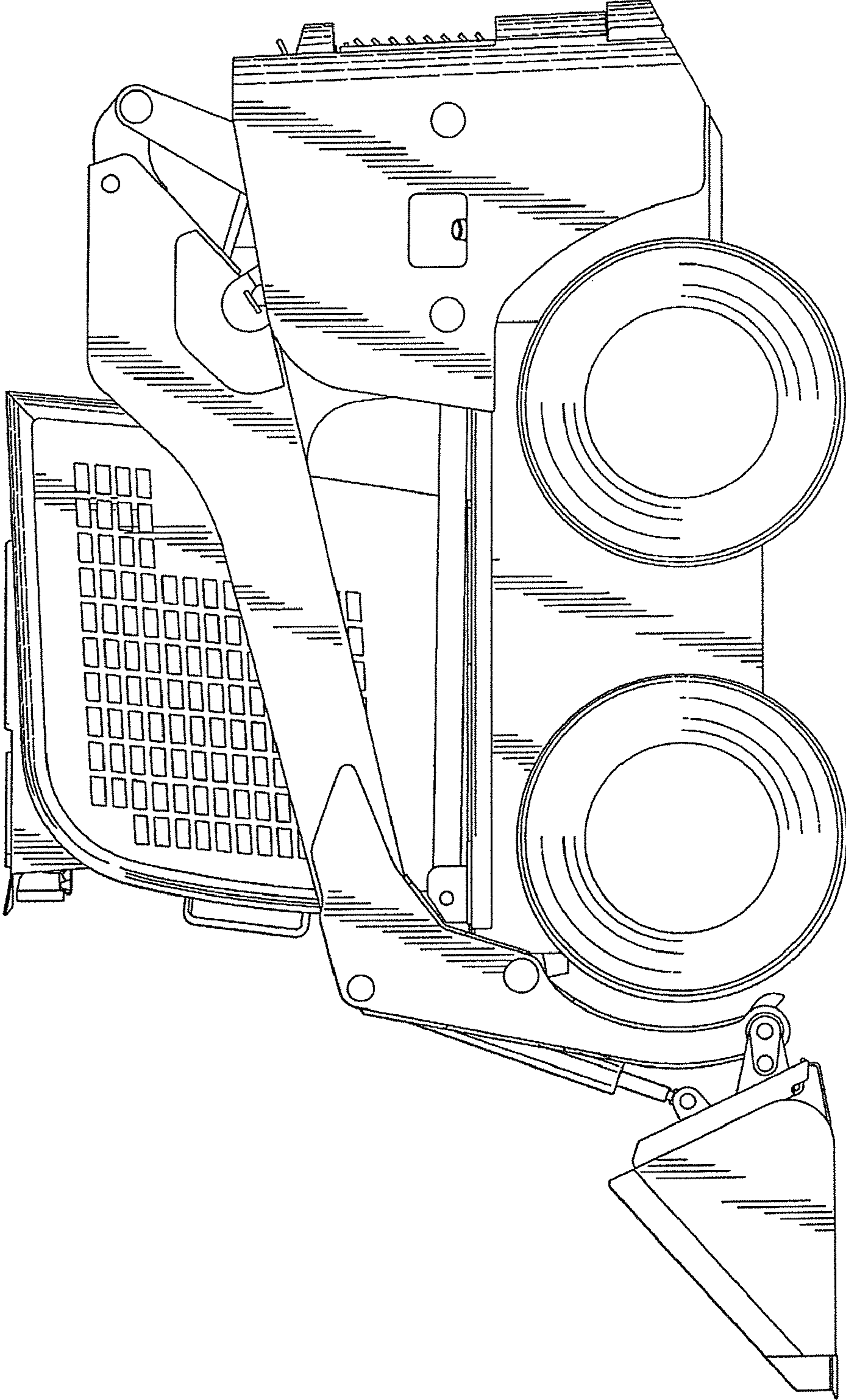


FIG. 4

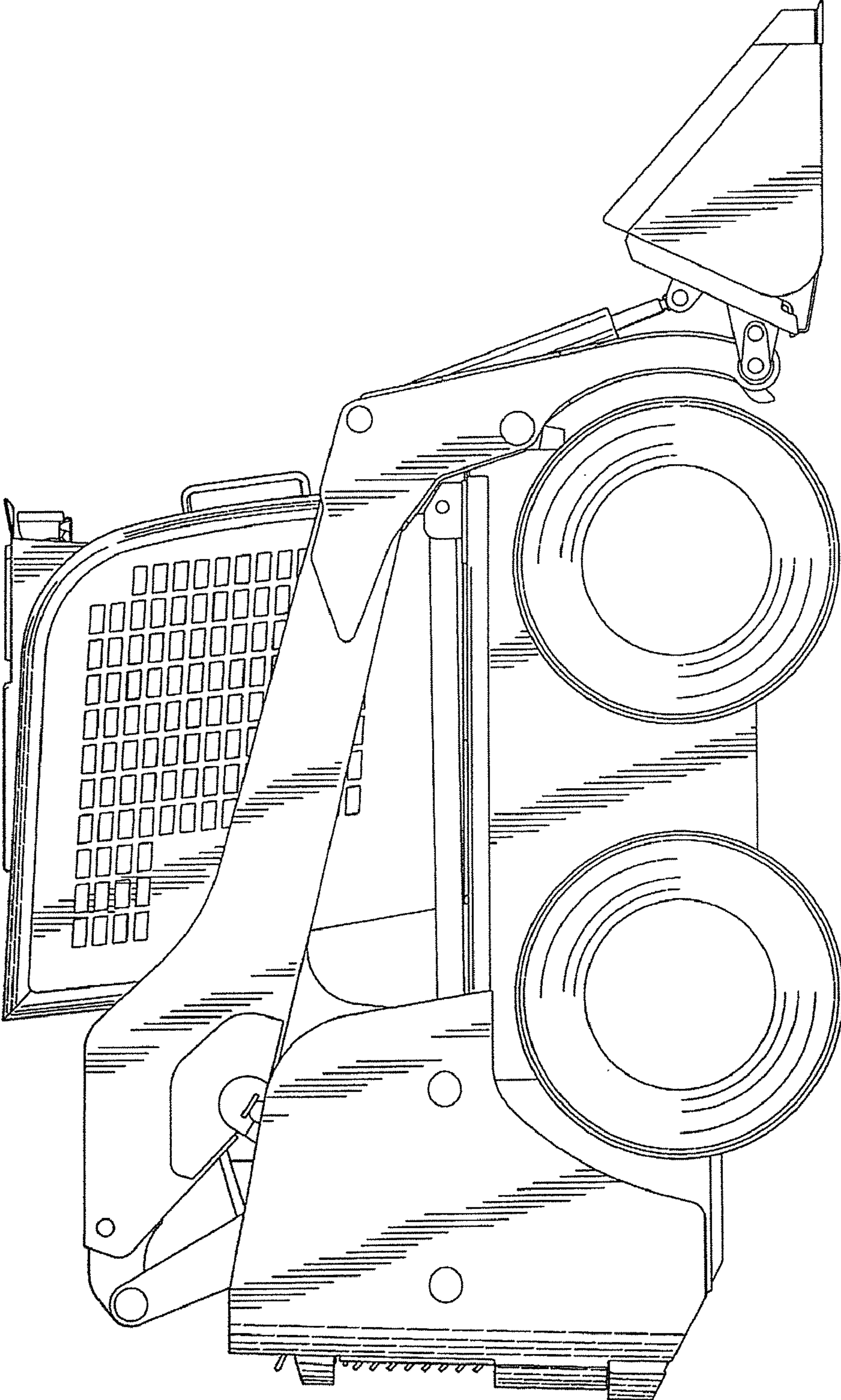


FIG. 5

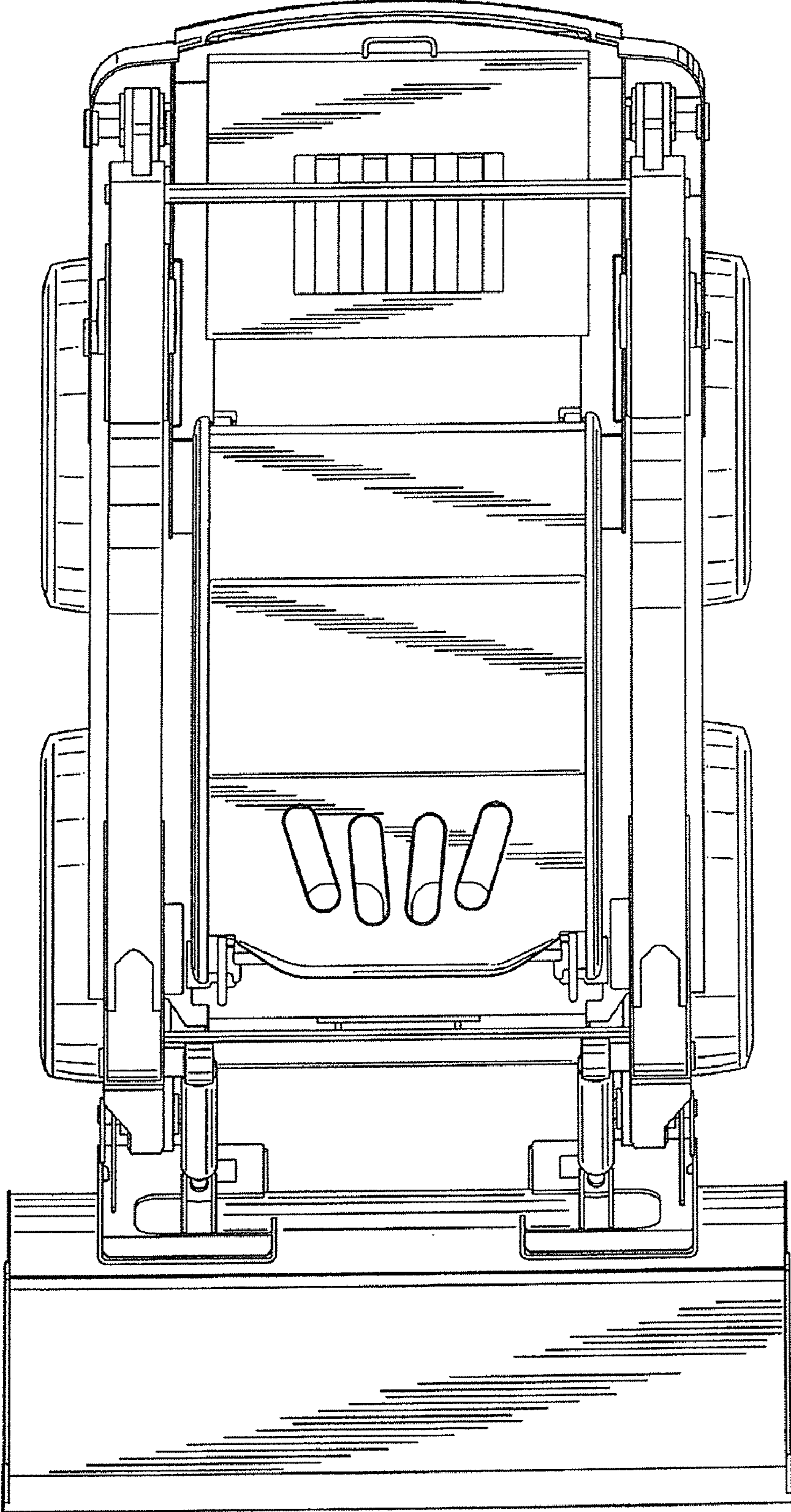


FIG. 6

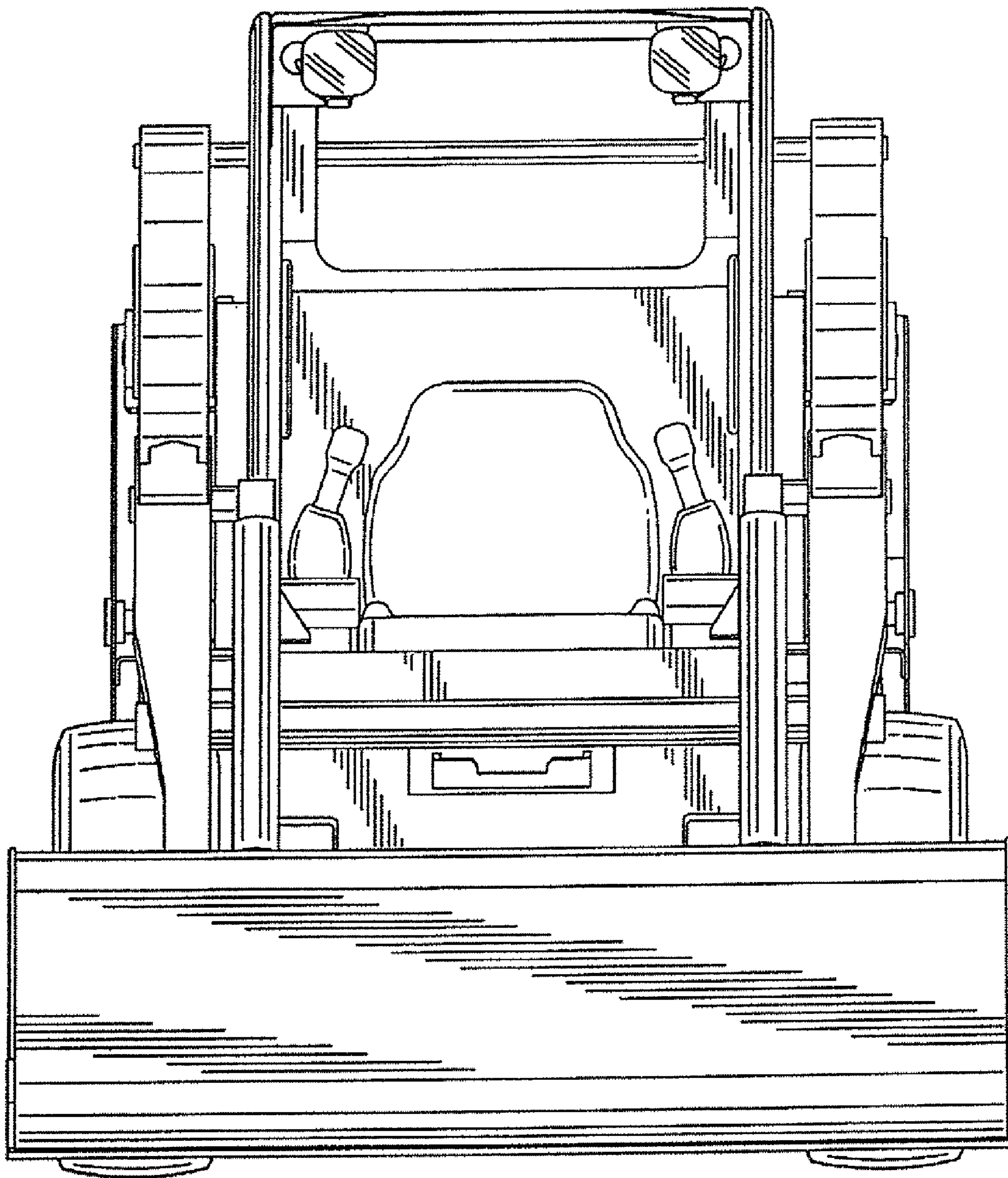
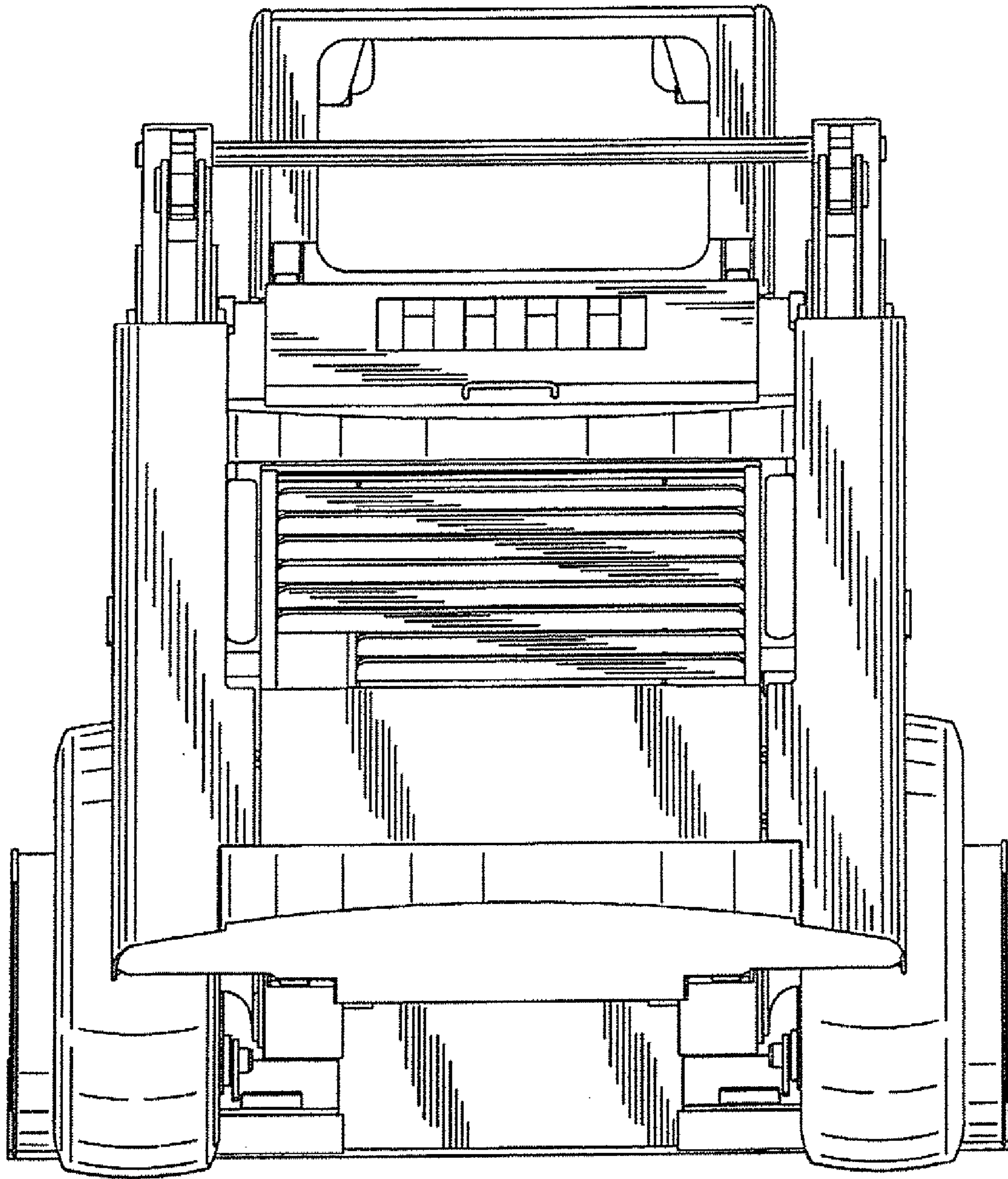


FIG. 7



UNITED STATES PATENT AND TRADEMARK OFFICE
CERTIFICATE OF CORRECTION

PATENT NO. : Des. 579,027 S
APPLICATION NO. : 29/303924
DATED : October 21, 2008
INVENTOR(S) : Naoto Kato

Page 1 of 1

It is certified that error appears in the above-identified patent and that said Letters Patent is hereby corrected as shown below:

In the Specification

On the Title Page, item (75), please delete “Naoto Kato, Karaiya (JP)” and insert therefore -- Naoto Kato, Kariya-shi (JP) --;

On the Title Page, after the CLAIM section and before the DESCRIPTION section, please insert the following header: -- CROSS-REFERENCE TO RELATED APPLICATIONS --; and

On the Title Page, after the newly added header, CROSS-REFERENCE TO RELATED APPLICATIONS, please insert the following: -- This application is a divisional of U.S. Design Patent Application Serial No. 29/292,684, filed October 23, 2007 under 35 U.S.C. § 120, now U.S. Patent D573,160, which claims priority to Japanese Applications Nos. 2007-011042 and 2007-011043, which were both filed on April 24, 2007 under 35 U.S.C. § 119, the entirety of all of which are incorporated herein by reference as if fully set forth herein. --.

Signed and Sealed this

Ninth Day of June, 2009



JOHN DOLL
Acting Director of the United States Patent and Trademark Office