



US00D579026S

(12) **United States Design Patent**
Busschaert

(10) **Patent No.:** **US D579,026 S**
(45) **Date of Patent:** **** Oct. 21, 2008**

(54) **GENERAL PURPOSE ENGINE**

(75) Inventor: **Jason F. Busschaert**, Towson, MD (US)

(73) Assignee: **Black & Decker Inc.**, Newark, DE (US)

(**) Term: **14 Years**

(21) Appl. No.: **29/297,656**

(22) Filed: **Nov. 15, 2007**

Related U.S. Application Data

(63) Continuation of application No. 29/295,111, filed on Sep. 21, 2007.

(51) **LOC (8) Cl.** **15-01**

(52) **U.S. Cl.** **D15/1**

(58) **Field of Classification Search** D15/1-5,
D15/14, 16-17, 149; 74/606 R; 123/41.7,
123/306, 308, 661, 667, 41.66-41.67, 657,
123/41.01, 41.09, 70 R, 50 A, 50 B, 50 R,
123/51 R, 51 A, 195 C, 198 E

See application file for complete search history.

(56) **References Cited**

U.S. PATENT DOCUMENTS

4,813,385 A * 3/1989 Yamaguchi et al. 123/2
D307,148 S * 4/1990 Mikado D15/1
6,240,889 B1 * 6/2001 Kuwabara et al. 123/179.24
6,520,141 B2 * 2/2003 Ryczek et al. 123/198 E
D522,021 S * 5/2006 Miyazaki et al. D15/3
D527,020 S * 8/2006 Miyazaki et al. D15/3

D536,004 S * 1/2007 Ryczek et al. D15/5
7,191,753 B2 * 3/2007 Sagara et al. 123/198 E
D552,128 S * 10/2007 Li D15/1
D561,784 S * 2/2008 Yin et al. D15/1

* cited by examiner

Primary Examiner—Ian Simmons

Assistant Examiner—Wan Laymon

(74) *Attorney, Agent, or Firm*—Harness, Dickey & Pierce, P.L.C.

(57) **CLAIM**

The ornamental design for a general purpose engine, as shown and described.

DESCRIPTION

FIG. 1 is a front view of a general purpose engine showing my new design;

FIG. 2 is a side view thereof;

FIG. 3 is another side view thereof;

FIG. 4 is a rear view thereof;

FIG. 5 is a top view thereof;

FIG. 6 is a bottom view thereof;

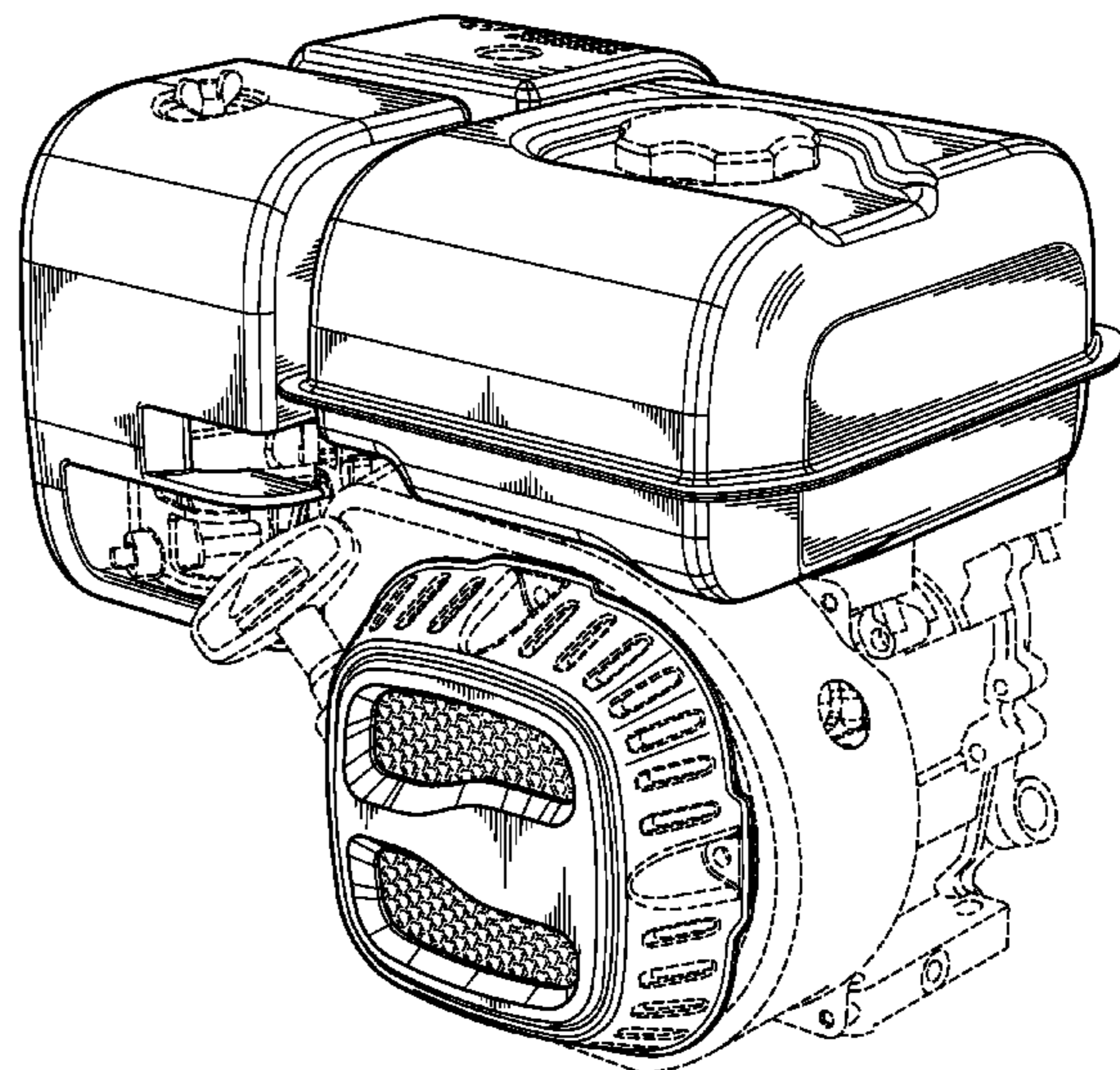
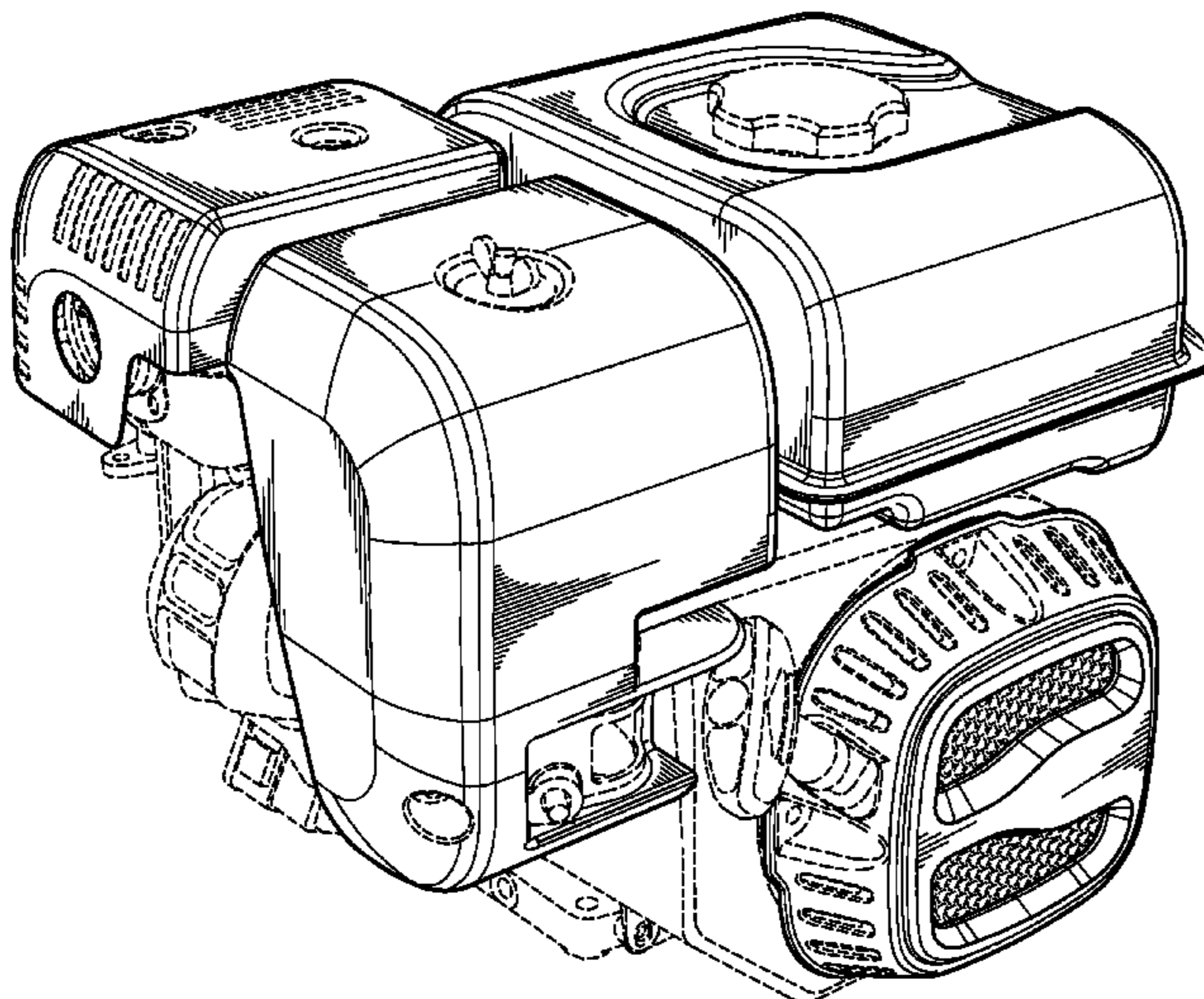
FIG. 7 is a perspective view thereof;

FIG. 8 is another perspective view thereof; and,

FIG. 9 is another perspective view thereof.

The broken lines in the Figures are for illustrative purposes only and form no part of the claimed design.

1 Claim, 9 Drawing Sheets



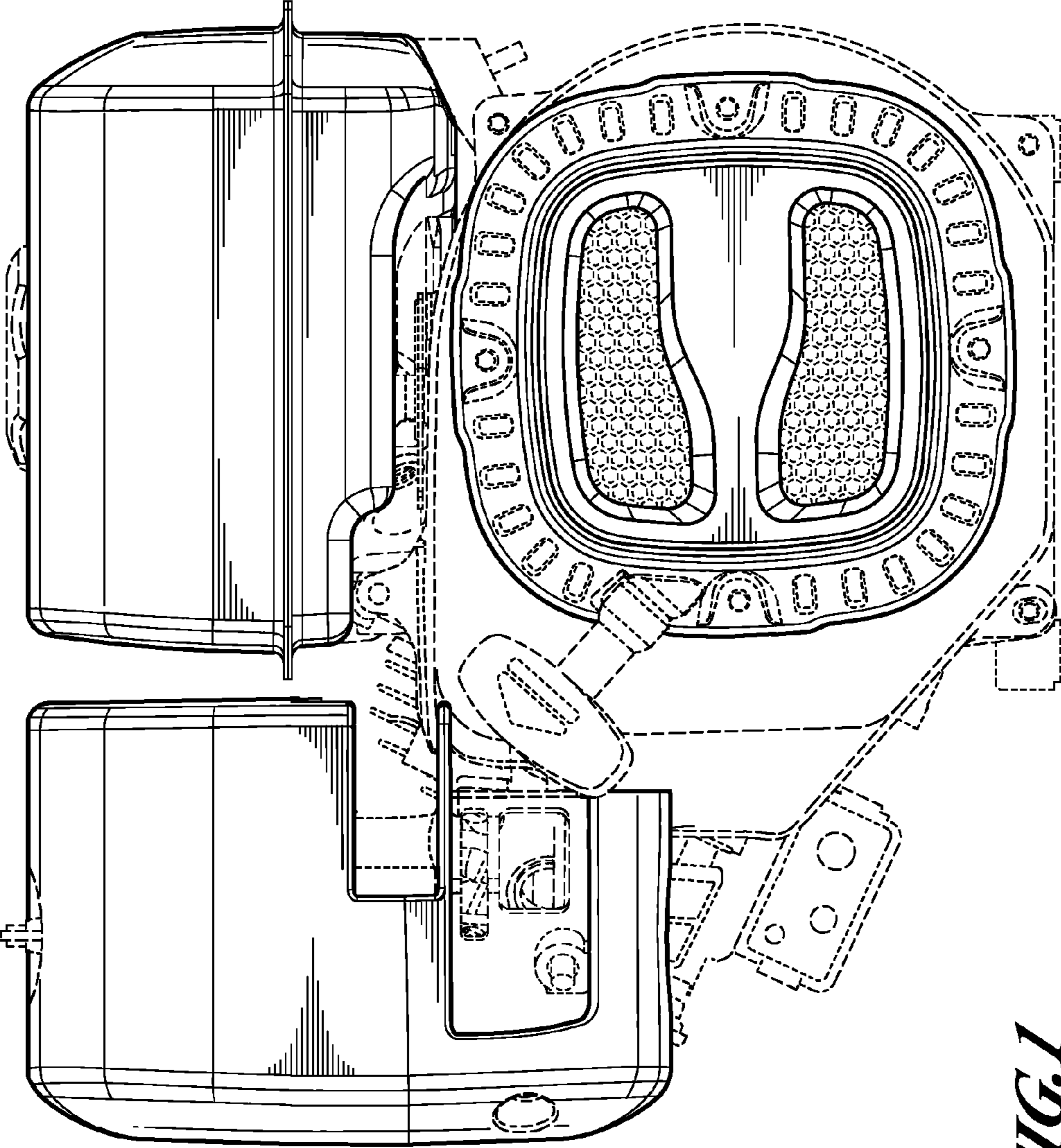


FIG. 1

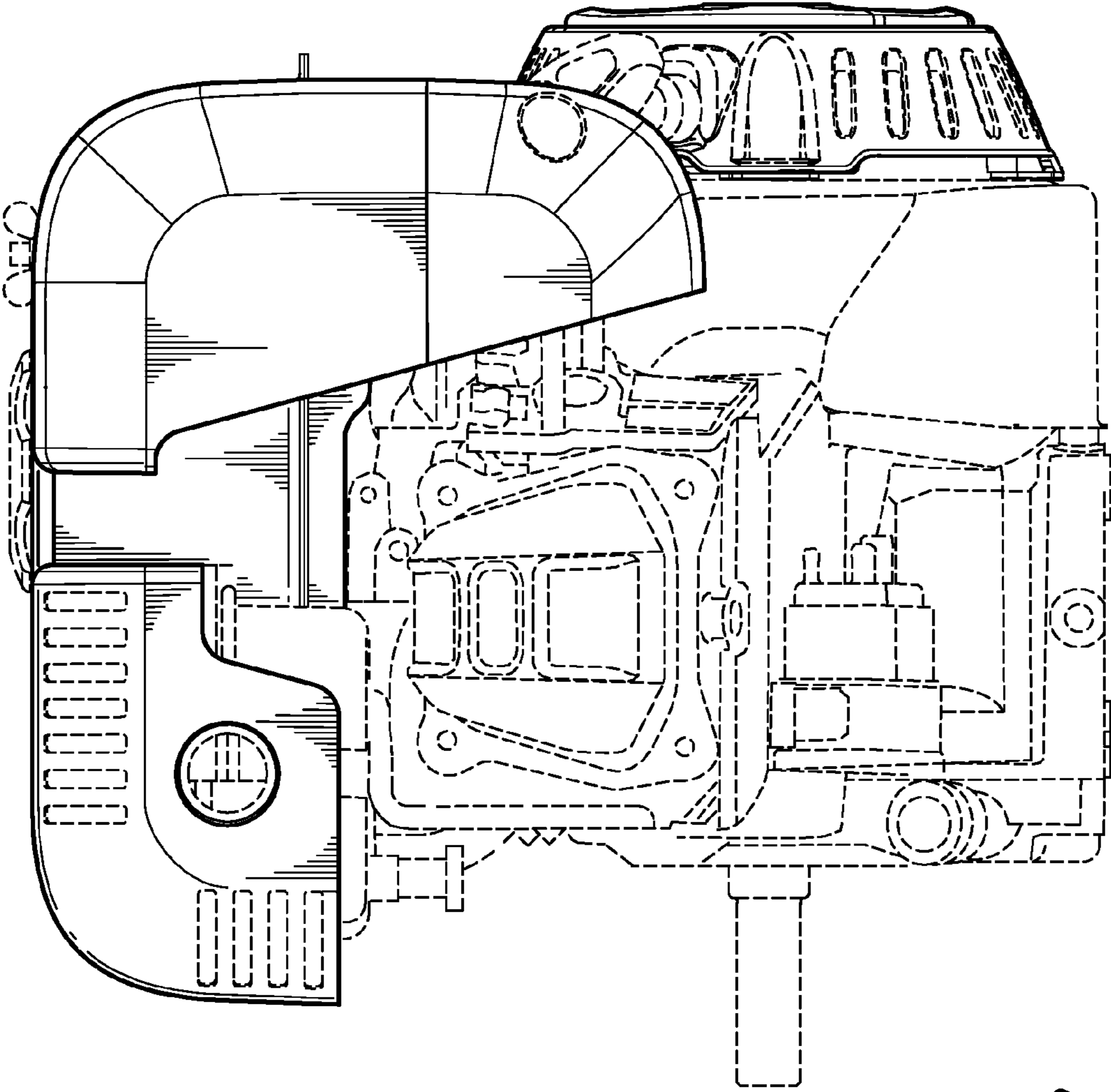
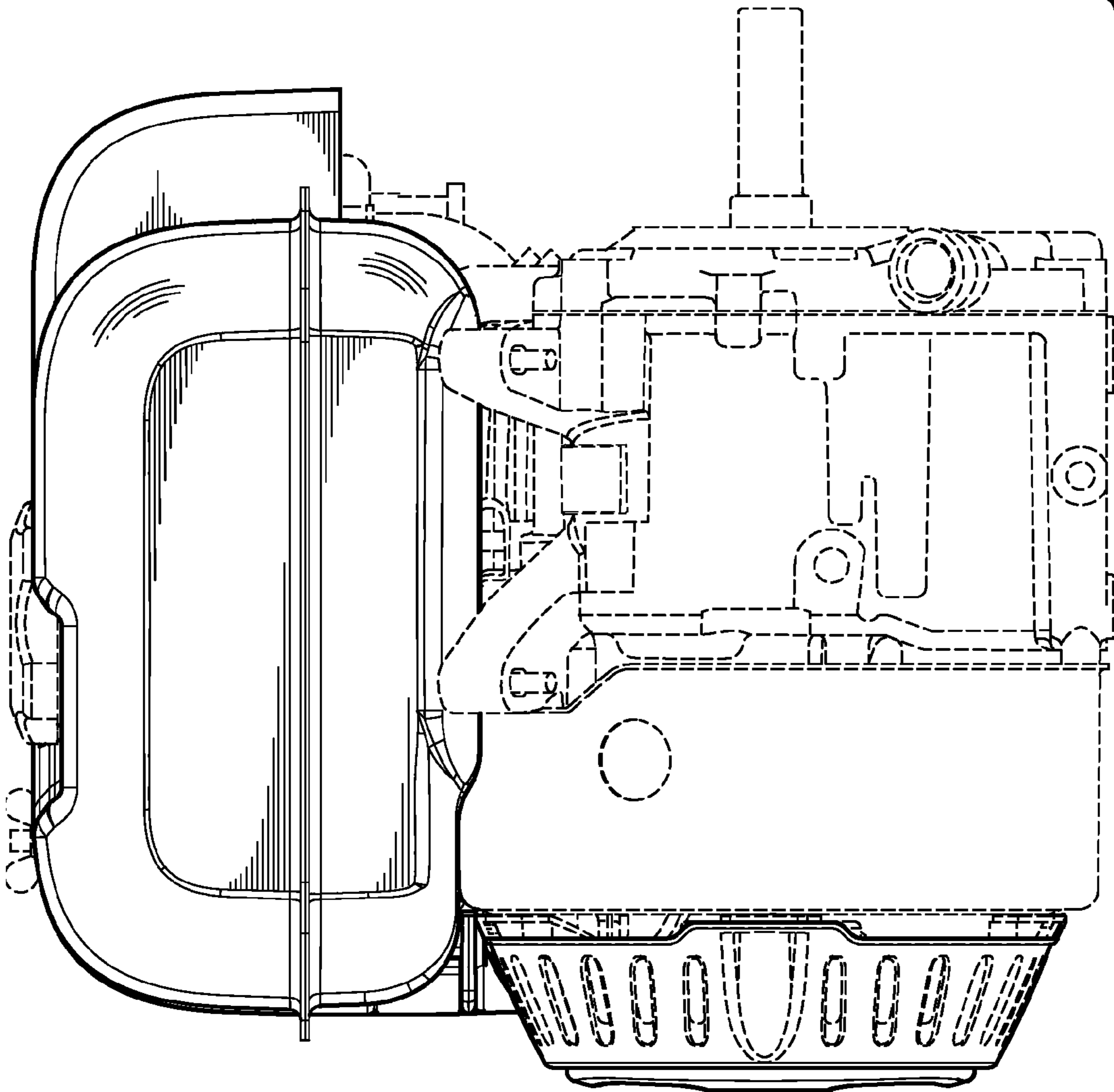


FIG. 2

FIG. 3



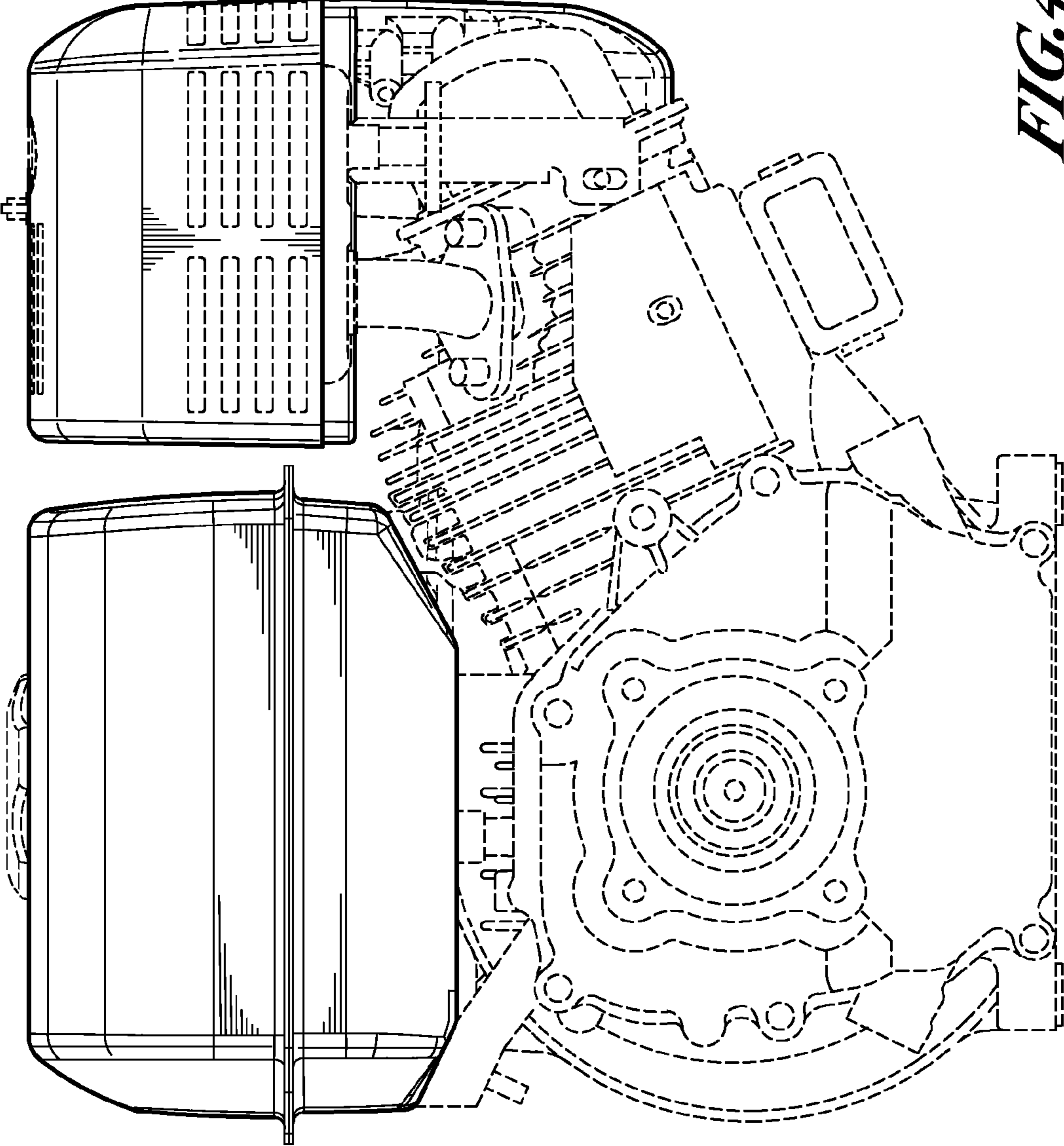
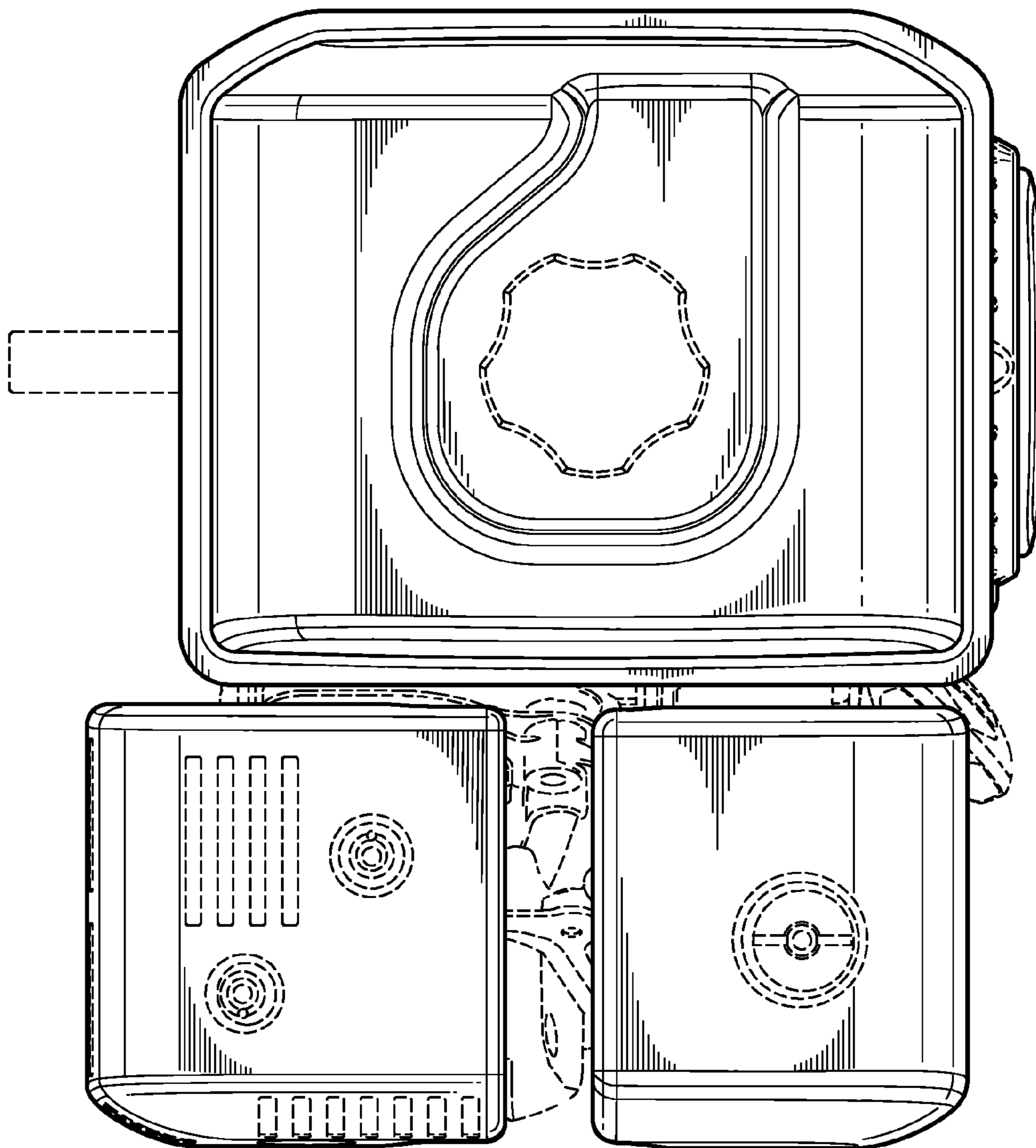


FIG. 4

FIG. 5



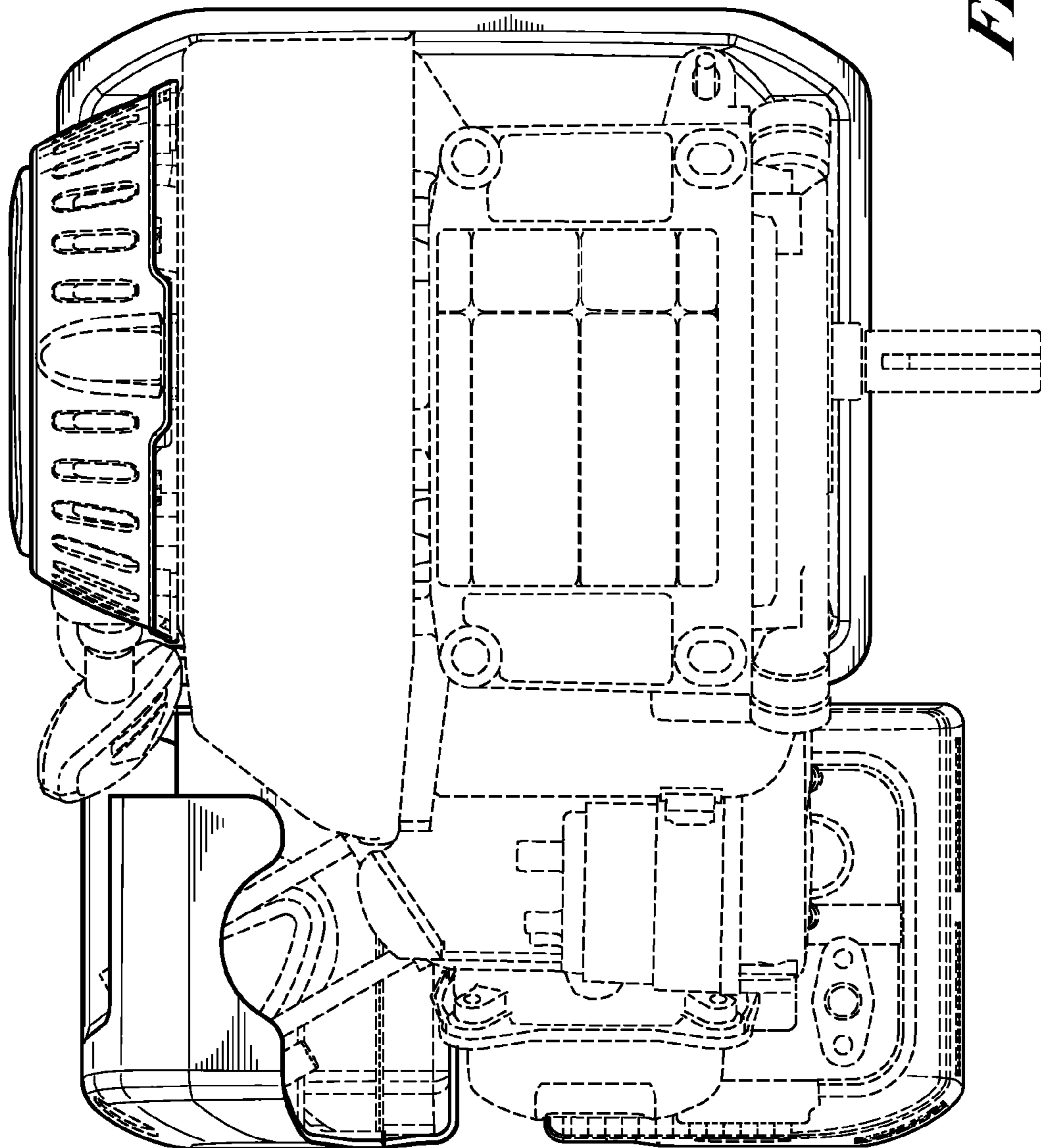


FIG. 6

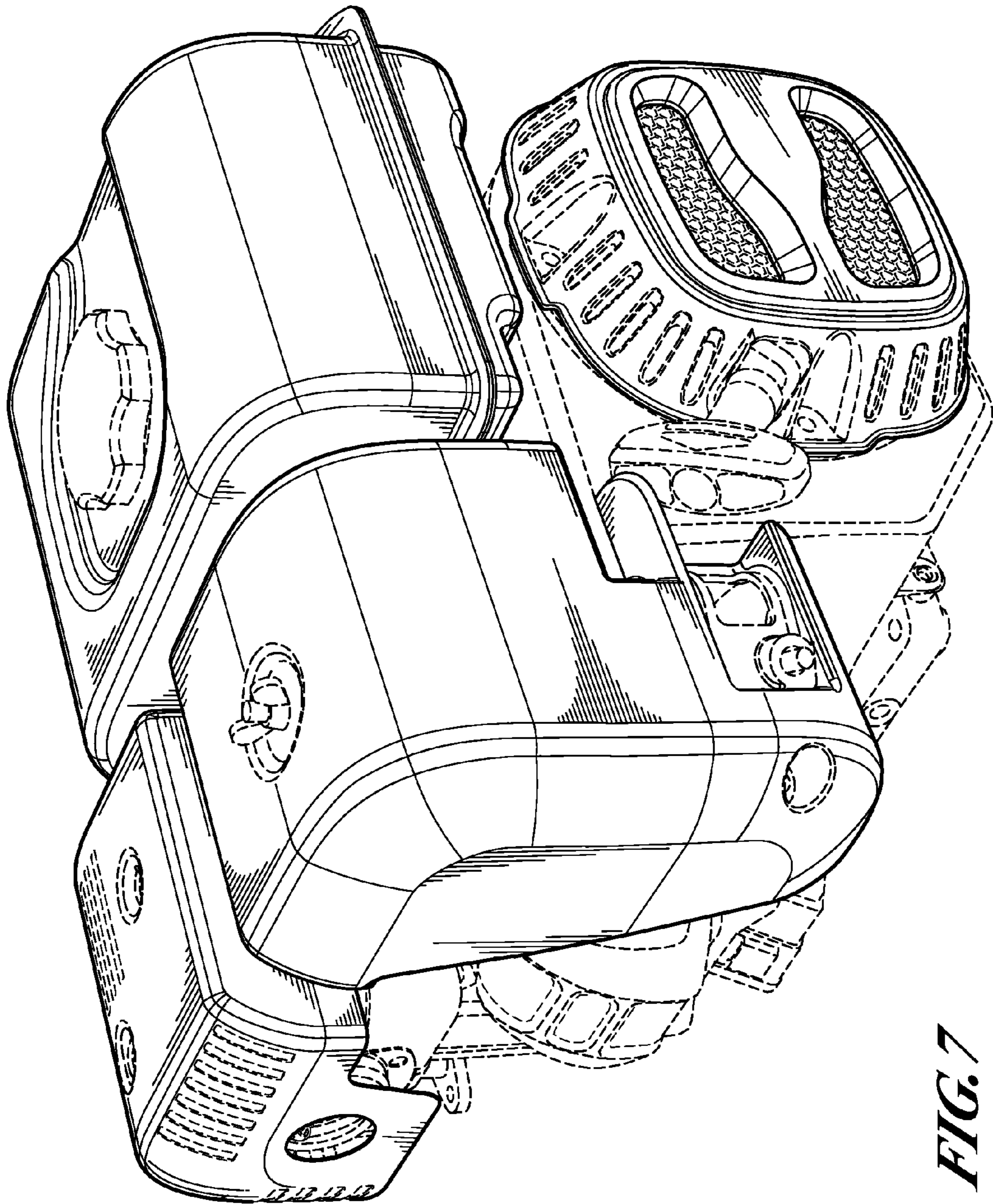


FIG. 7

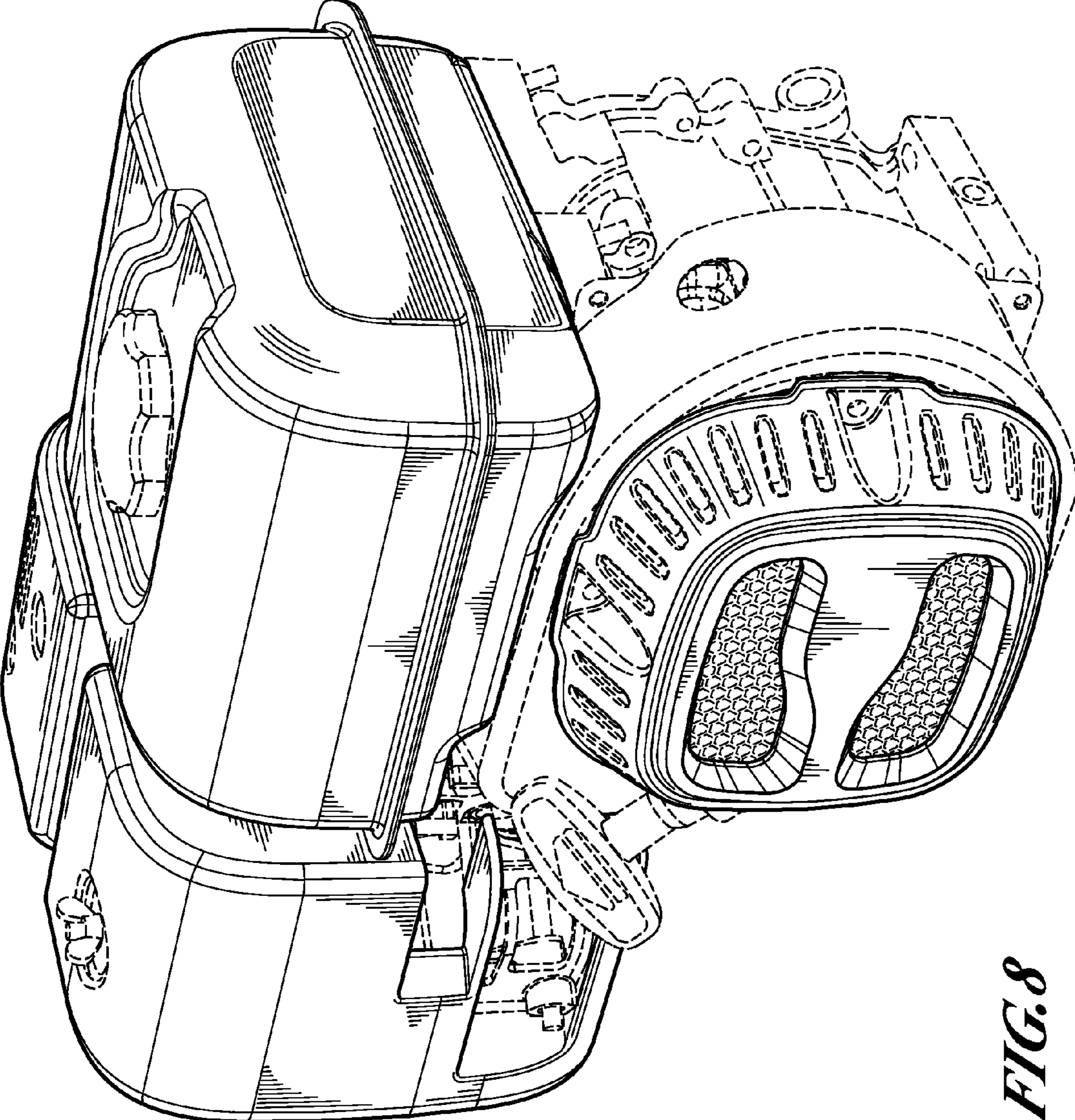


FIG. 8

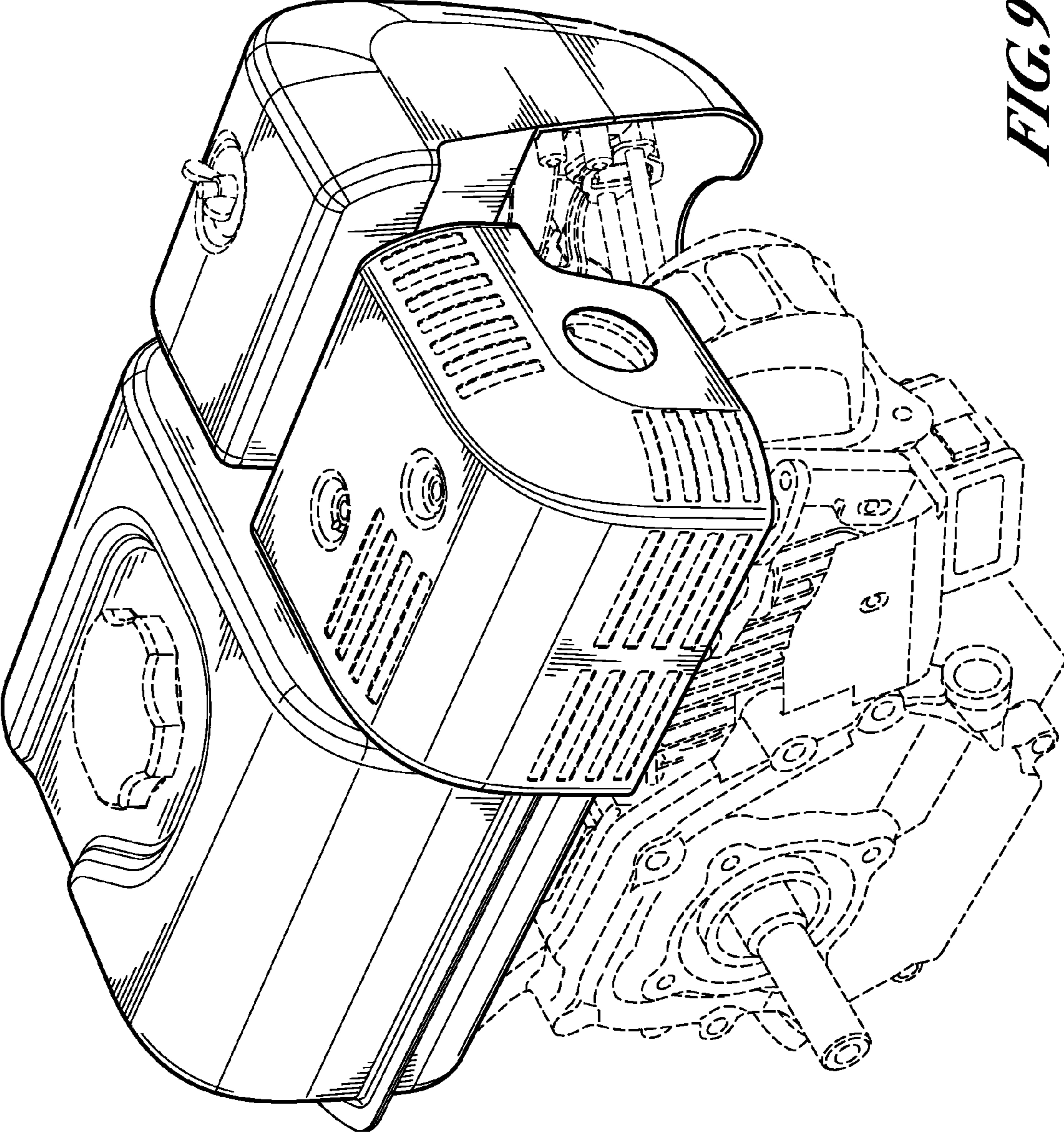


FIG. 9