



US00D579024S

(12) **United States Design Patent**
Sawai et al.

(10) **Patent No.:** **US D579,024 S**
(45) **Date of Patent:** **** Oct. 21, 2008**

(54) **ROBOTOMORPHIC AUDIO PLAYER**

(75) Inventors: **Kunihito Sawai**, Tokyo (JP); **Tomohiro Yamada**, Tokyo (JP); **Wataru Kokubo**, Tokyo (JP); **Nobuhiko Ooguchi**, Tokyo (JP)

(73) Assignee: **Sony Corporation**, Tokyo (JP)

(**) Term: **14 Years**

(21) Appl. No.: **29/268,007**

(22) Filed: **Oct. 27, 2006**

(30) **Foreign Application Priority Data**

Apr. 27, 2006 (JP) D2006-011031

(51) **LOC (8) Cl.** **14-03**

(52) **U.S. Cl.** **D14/496**

(58) **Field of Classification Search** D14/496,
D14/401, 435, 474, 483, 217, 137, 138, 160,
D14/168; 345/156, 169, 173-179, 905; 715/727-729,
715/864; 710/1, 5, 8; 713/1, 600; 455/11,
455/1.7, 73, 344-347, 93, 95; 370/342-344;
369/1, 2, 6, 12; 463/43-47; 273/148 B
See application file for complete search history.

(56) **References Cited**

U.S. PATENT DOCUMENTS

6,381,515 B1 * 4/2002 Inoue et al. 700/245
6,623,072 B1 * 9/2003 Mellace 297/217.4
D481,702 S * 11/2003 Takagi D14/156
6,773,344 B1 * 8/2004 Gabai et al. 463/1
6,778,073 B2 * 8/2004 Lutter et al. 340/435

D518,065 S * 3/2006 Kobayashi D14/496
D530,306 S * 10/2006 Wang et al. D14/189
D533,185 S * 12/2006 Ishida et al. D14/496
D541,260 S * 4/2007 Christianson D14/215
7,207,860 B2 * 4/2007 Hornsby et al. 446/353
D549,239 S * 8/2007 Chen D14/496
D555,168 S * 11/2007 Lin D14/496
7,338,341 B2 * 3/2008 Hoeting et al. 446/330

* cited by examiner

Primary Examiner—Prabhakar Deshmukh

(74) *Attorney, Agent, or Firm*—Rader, Fishman & Grauer, PLLC

(57) **CLAIM**

The ornamental design for a robotomorphic audio player, as shown and described.

DESCRIPTION

FIG. 1 is a perspective view of a robotomorphic audio player showing our new design;

FIG. 2 is a front side elevational view thereof;

FIG. 3 is a rear side elevational view thereof;

FIG. 4 is a right side elevational view thereof, the left side elevational view being the same image thereof;

FIG. 5 is a top plan view thereof; and,

FIG. 6 is a bottom plan view thereof.

The broken lines, which define the bounds of the claimed design, form no part thereof. The broken lines environmental are for illustrative purpose only and form no part of the claimed design.

1 Claim, 6 Drawing Sheets

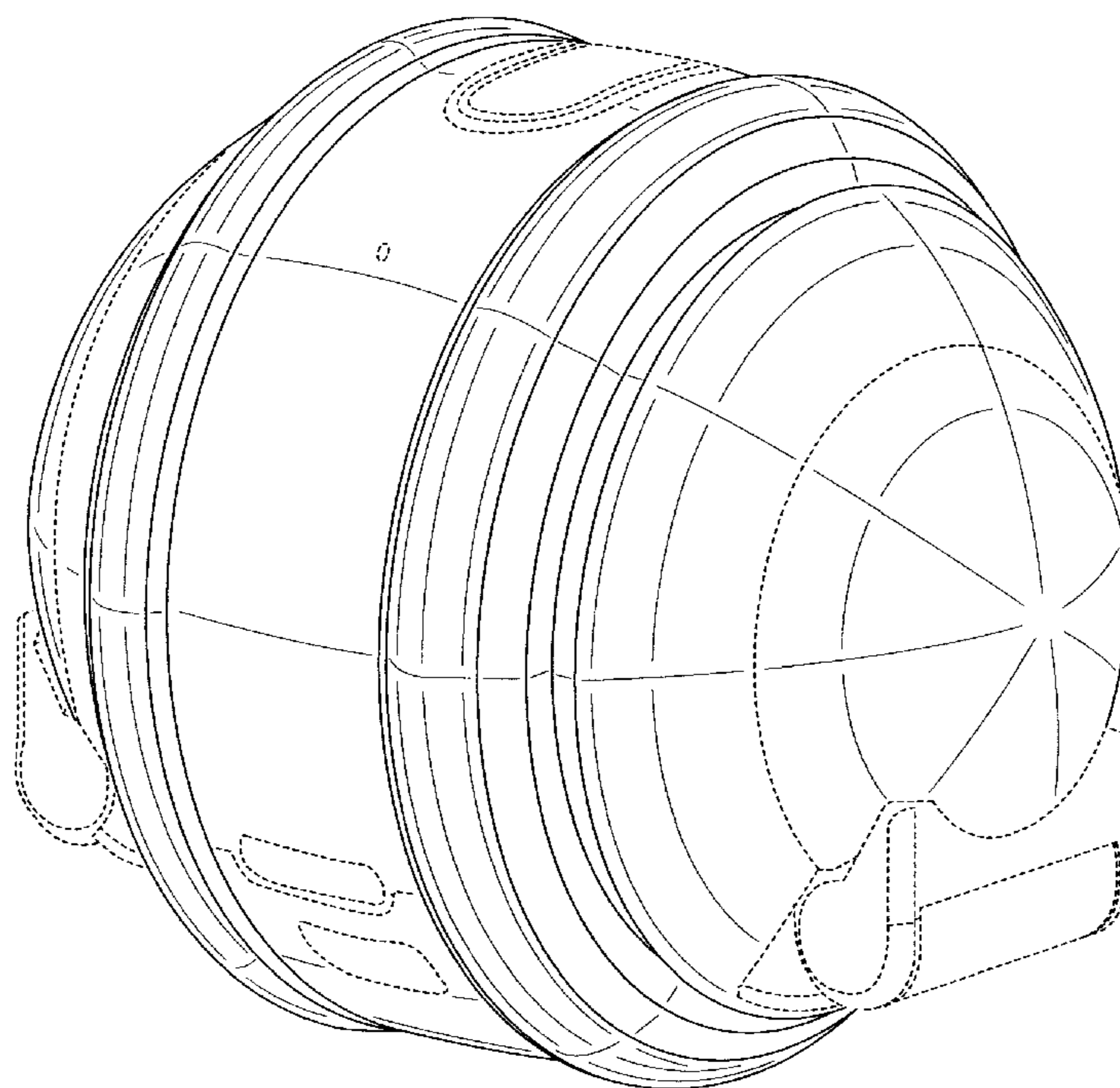


Fig. 1

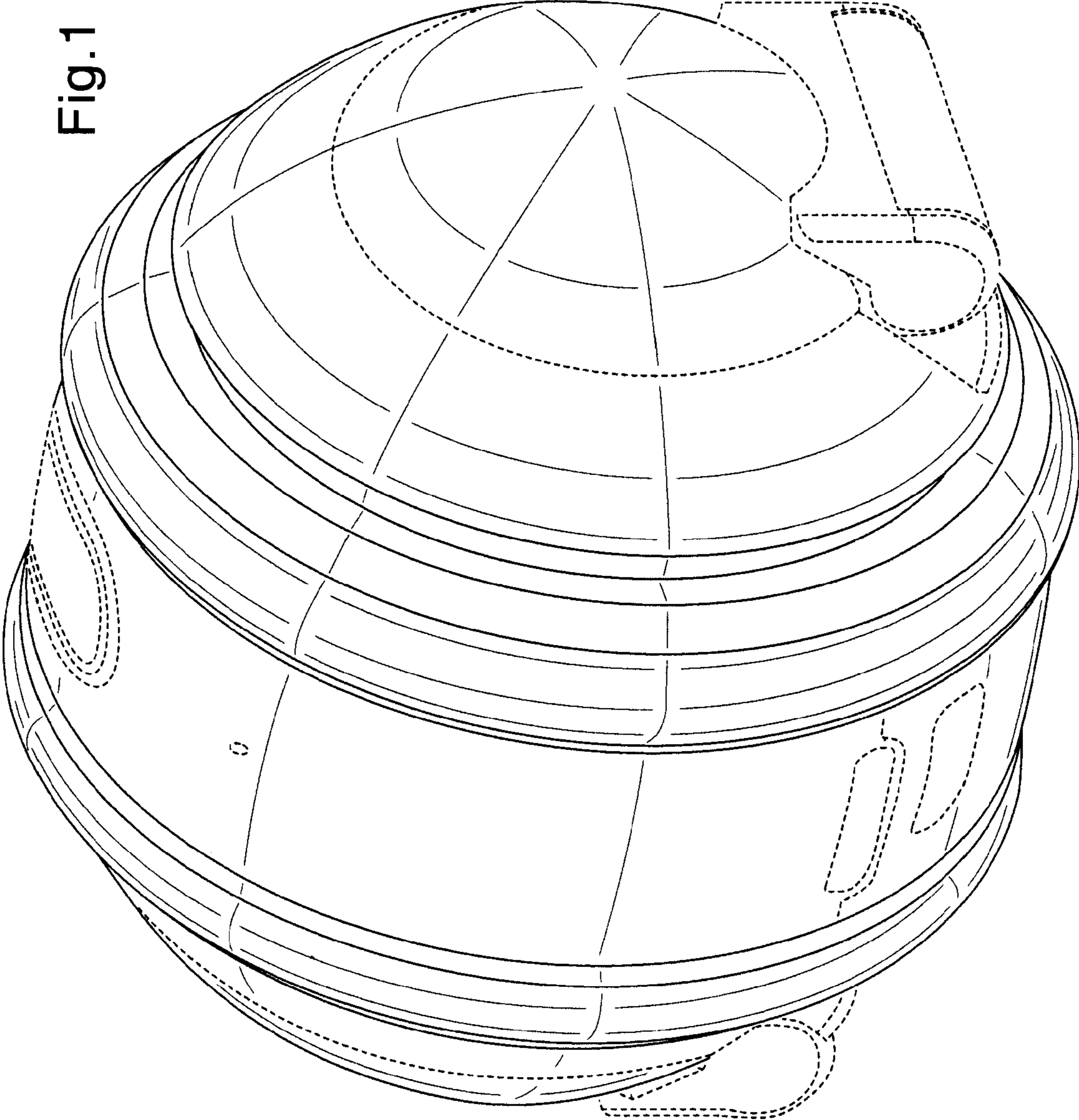


Fig.2

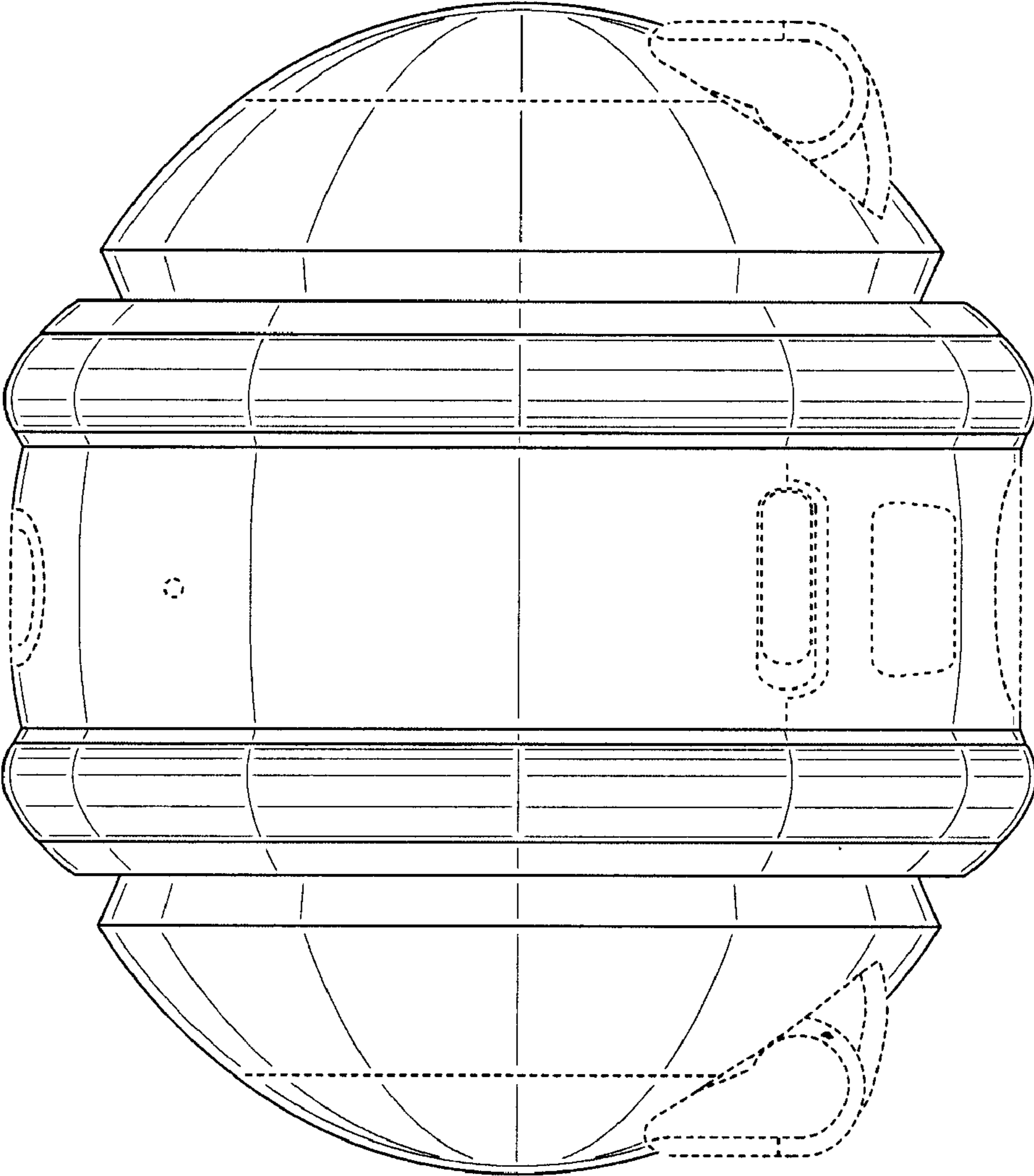


Fig.3

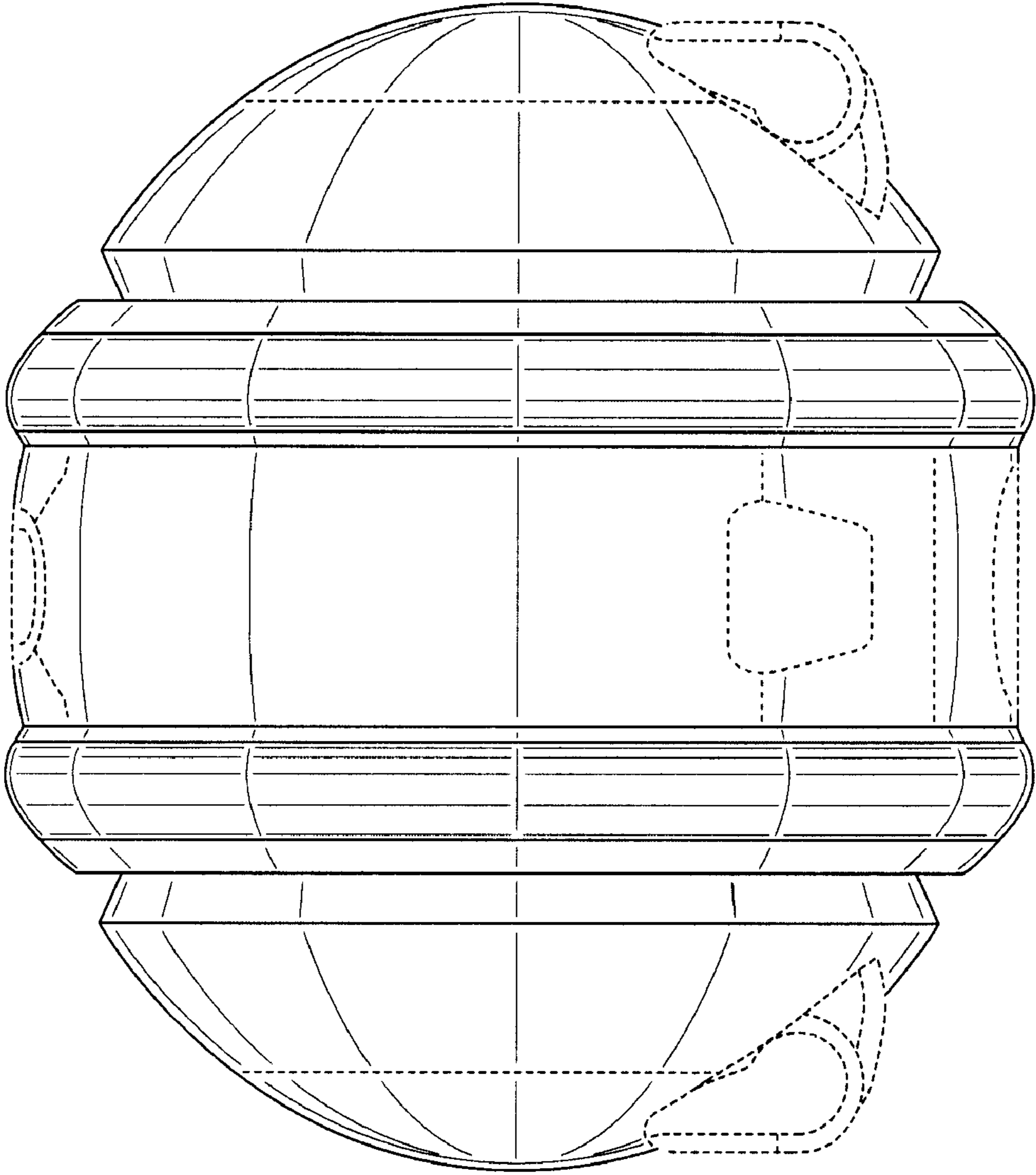


Fig. 4

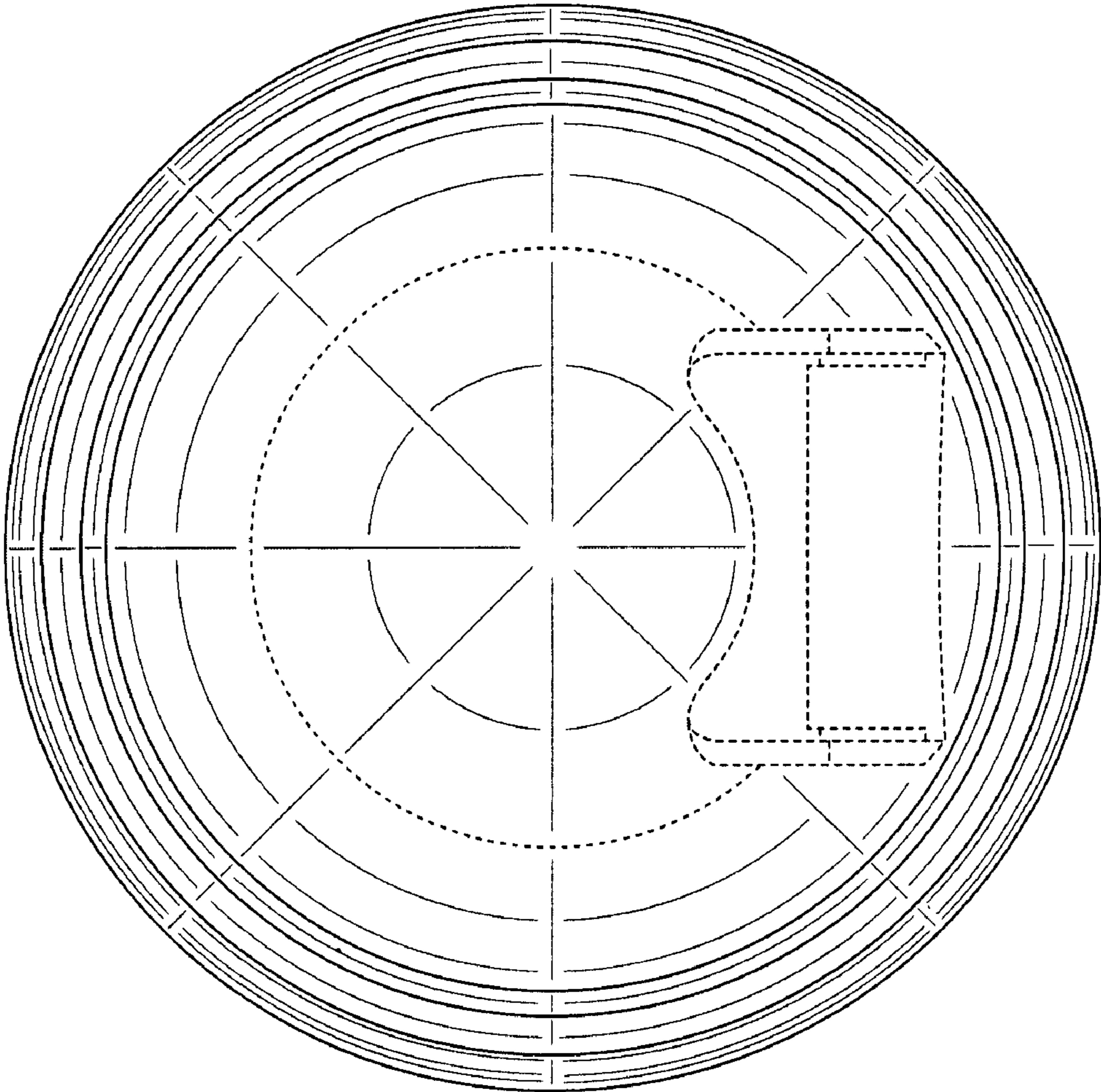


Fig.5

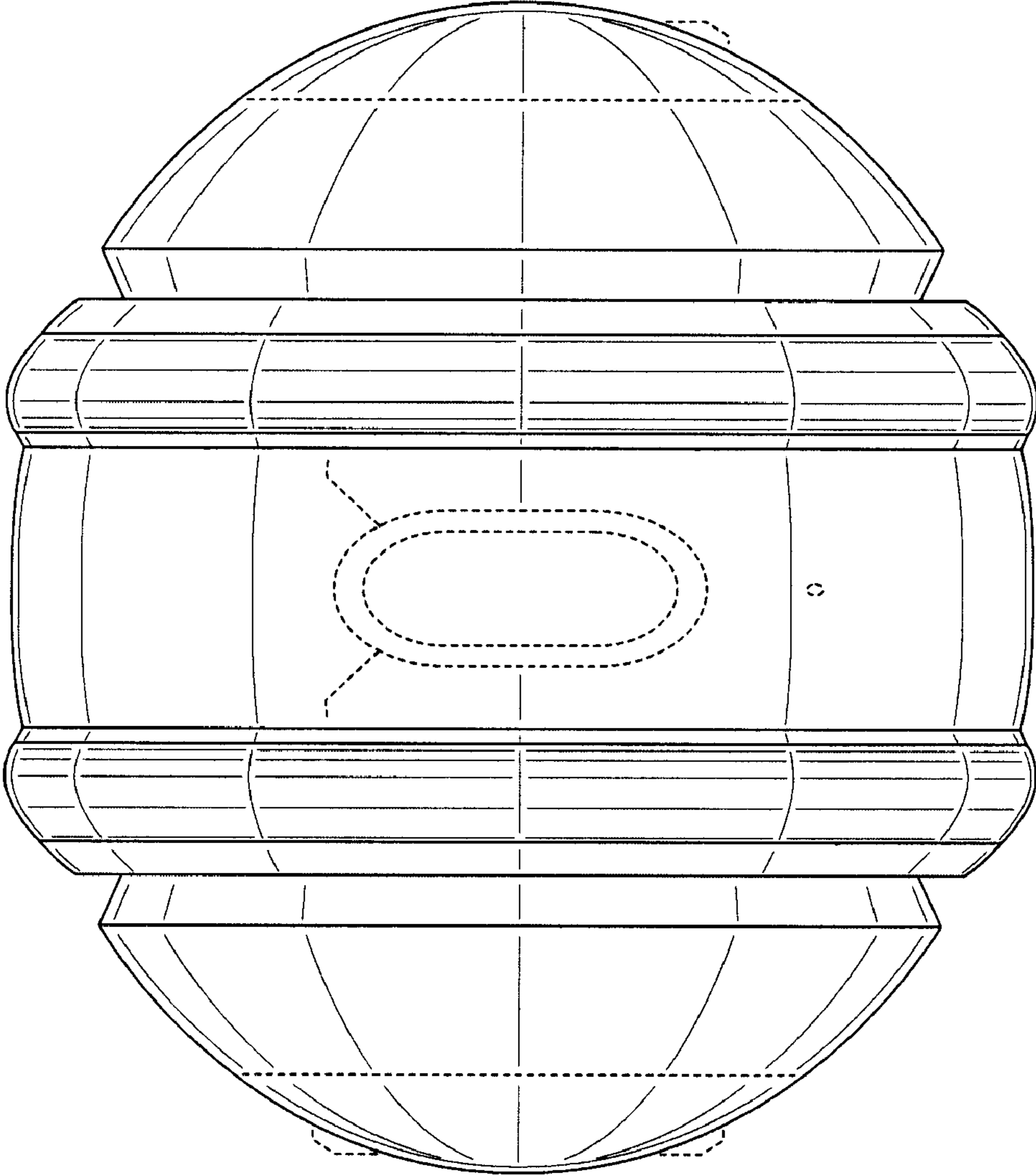


Fig.6

