



US00D579016S

(12) **United States Design Patent**  
**Romanoff et al.**

(10) **Patent No.:** **US D579,016 S**  
(45) **Date of Patent:** **\*\* Oct. 21, 2008**

(54) **SHEET SCANNER**

(75) Inventors: **Harris Romanoff**, Narberth, PA (US);  
**Peter Michaelian**, New York, NY (US)

(73) Assignee: **Digital Business Processes, Inc.**,  
Philadelphia, PA (US)

(\*\*) Term: **14 Years**

(21) Appl. No.: **29/299,481**

(22) Filed: **Dec. 27, 2007**

(51) **LOC (8) Cl.** ..... **14-02**

(52) **U.S. Cl.** ..... **D14/422**

(58) **Field of Classification Search** ..... D14/420-425,  
D14/462-470, 389, 125, 399; D18/50, 54,  
D18/55, 53, 36-39, 14, 18-21, 49, 52, 51,  
D18/54.4; 358/400, 401, 448, 474, 486-488,  
358/496; 382/312, 317, 321, 315; 400/613,  
400/613.1-613.4, 690.1-690.4, 691-694,  
400/88, 175; 399/107, 379, 380, 211, 212;  
235/462.11, 462.41, 472.01, 470, 462.43;  
361/680, 681

See application file for complete search history.

(56) **References Cited**

**U.S. PATENT DOCUMENTS**

D263,831	S	*	4/1982	Barbera et al.	.....	D14/462
D264,846	S	*	6/1982	Taguchi	.....	D14/462
4,806,036	A	*	2/1989	Ward et al.	.....	400/691
D312,079	S	*	11/1990	Komatsu	.....	D14/469
D315,360	S	*	3/1991	Tokuda et al.	.....	D18/54
D333,316	S	*	2/1993	Ishizawa	.....	D18/55
D337,578	S	*	7/1993	Nagele	.....	D14/469
D340,740	S	*	10/1993	Kawashima	.....	D18/50
D344,513	S	*	2/1994	Taniuchi et al.	.....	D14/144
D350,977	S	*	9/1994	Lewis et al.	.....	D18/50

D378,927	S	*	4/1997	Kasahara et al.	.....	D18/50
D399,524	S	*	10/1998	Nakajima	.....	D18/50
D408,799	S	*	4/1999	Daury	.....	D14/385
D422,570	S	*	4/2000	Kobayashi	.....	D14/422
D443,878	S	*	6/2001	Sakata et al.	.....	D14/422
D444,813	S	*	7/2001	Quijano	.....	D18/55
6,540,219	B1	*	4/2003	Naruse et al.	.....	271/37
D475,052	S	*	5/2003	Chujou et al.	.....	D14/422
6,568,674	B2	*	5/2003	Matsuda	.....	271/274
D478,618	S	*	8/2003	Obara	.....	D18/54
D518,826	S	*	4/2006	Chujou et al.	.....	D14/422
2003/0063337	A1	*	4/2003	Shirai et al.	.....	358/498

\* cited by examiner

*Primary Examiner*—Melanie Tung

*Assistant Examiner*—Susan Moon Lee

(74) *Attorney, Agent, or Firm*—Woodcock Washburn LLP

(57) **CLAIM**

The ornamental design for a sheet scanner, as shown and described.

**DESCRIPTION**

FIG. 1 is a front perspective view of a sheet scanner in accordance with our new design;

FIG. 2 is a rear perspective view thereof;

FIG. 3 is a front elevational view thereof;

FIG. 4 is a rear elevational view thereof;

FIG. 5 is a top plan view thereof;

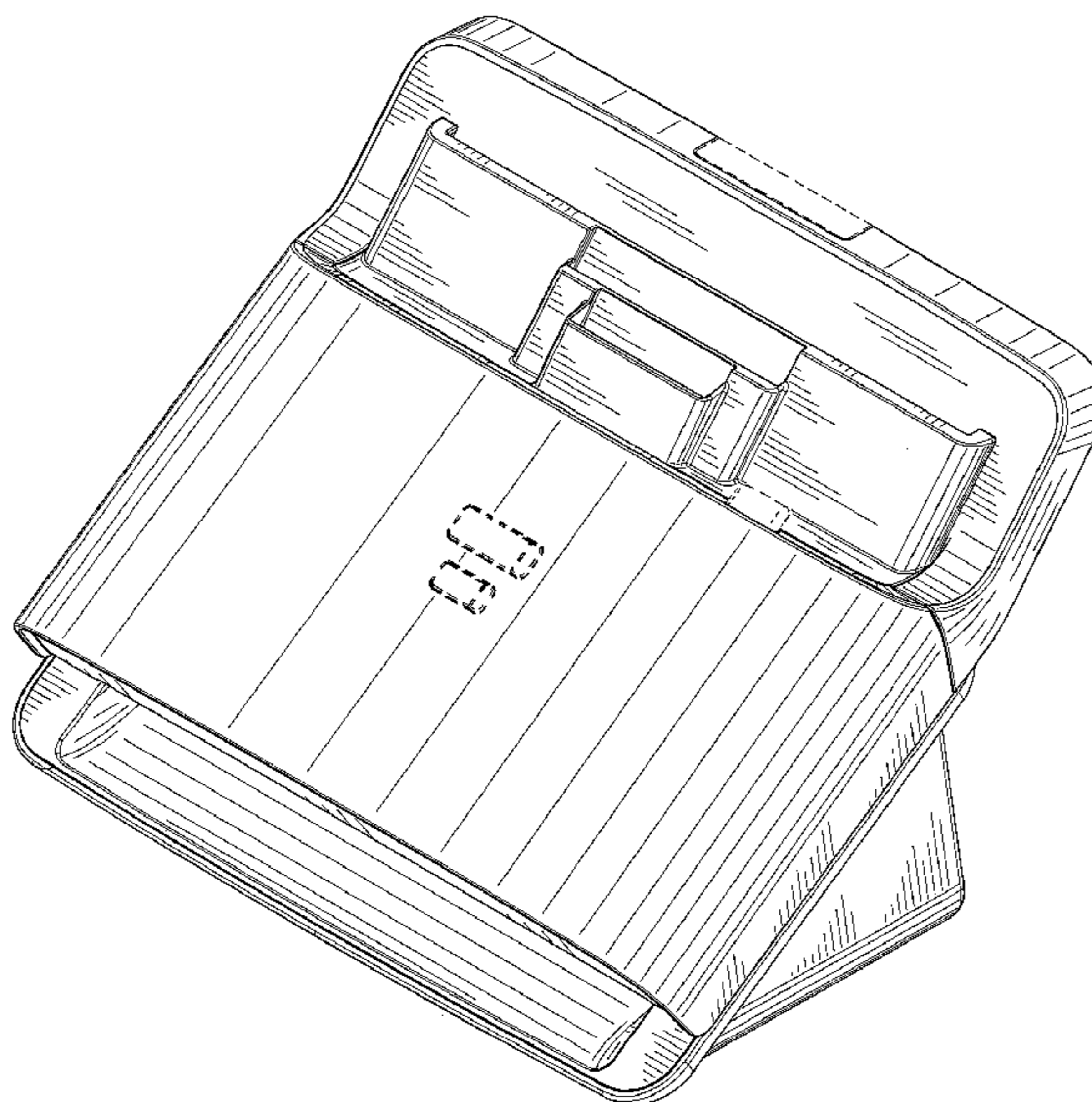
FIG. 6 is a bottom plan view thereof;

FIG. 7 is a right side elevational view thereof; and,

FIG. 8 is a left side elevational view thereof.

The portions shown in broken line are for illustrative purposes only and are not claimed.

**1 Claim, 5 Drawing Sheets**



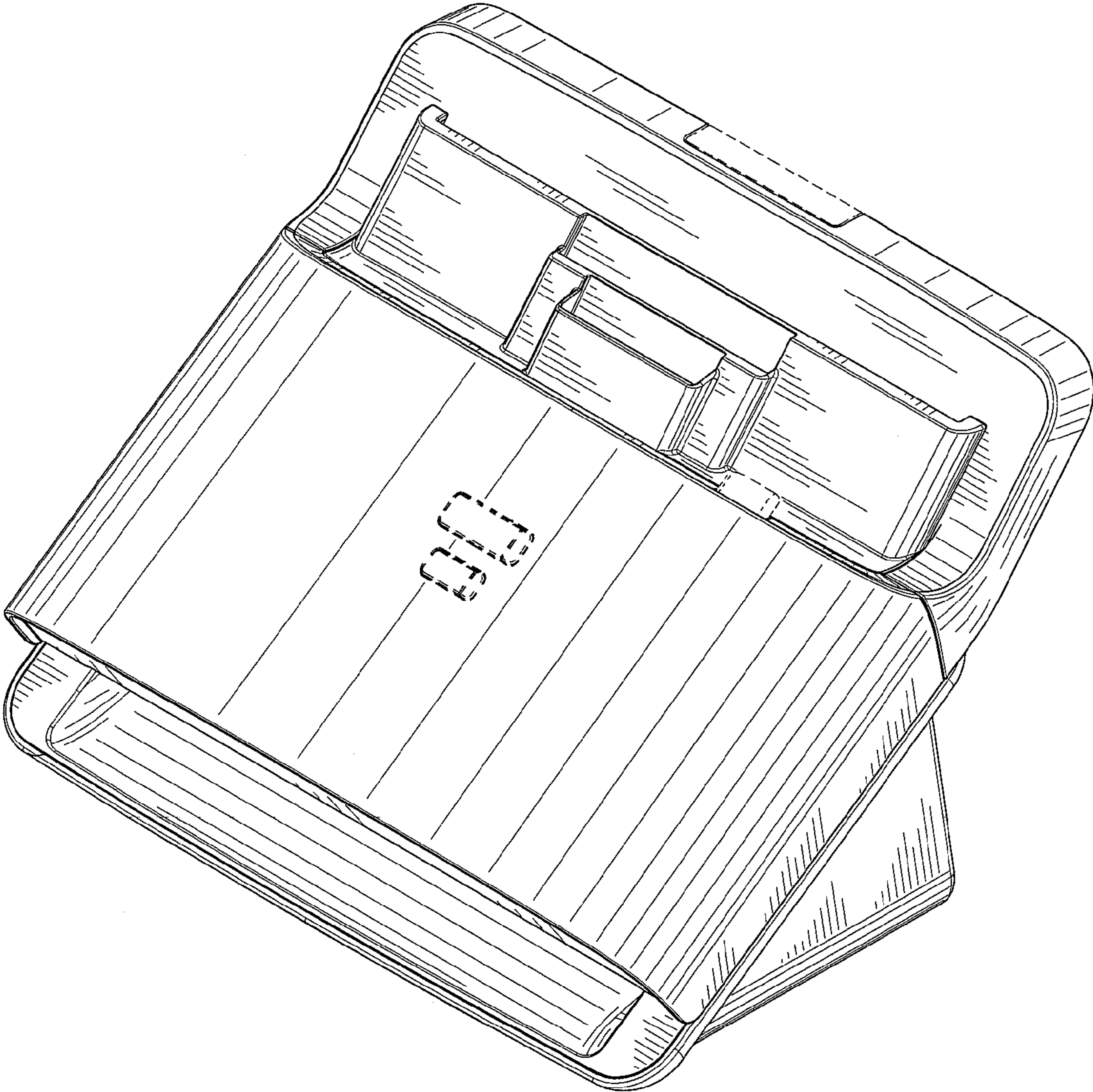


FIG. 1

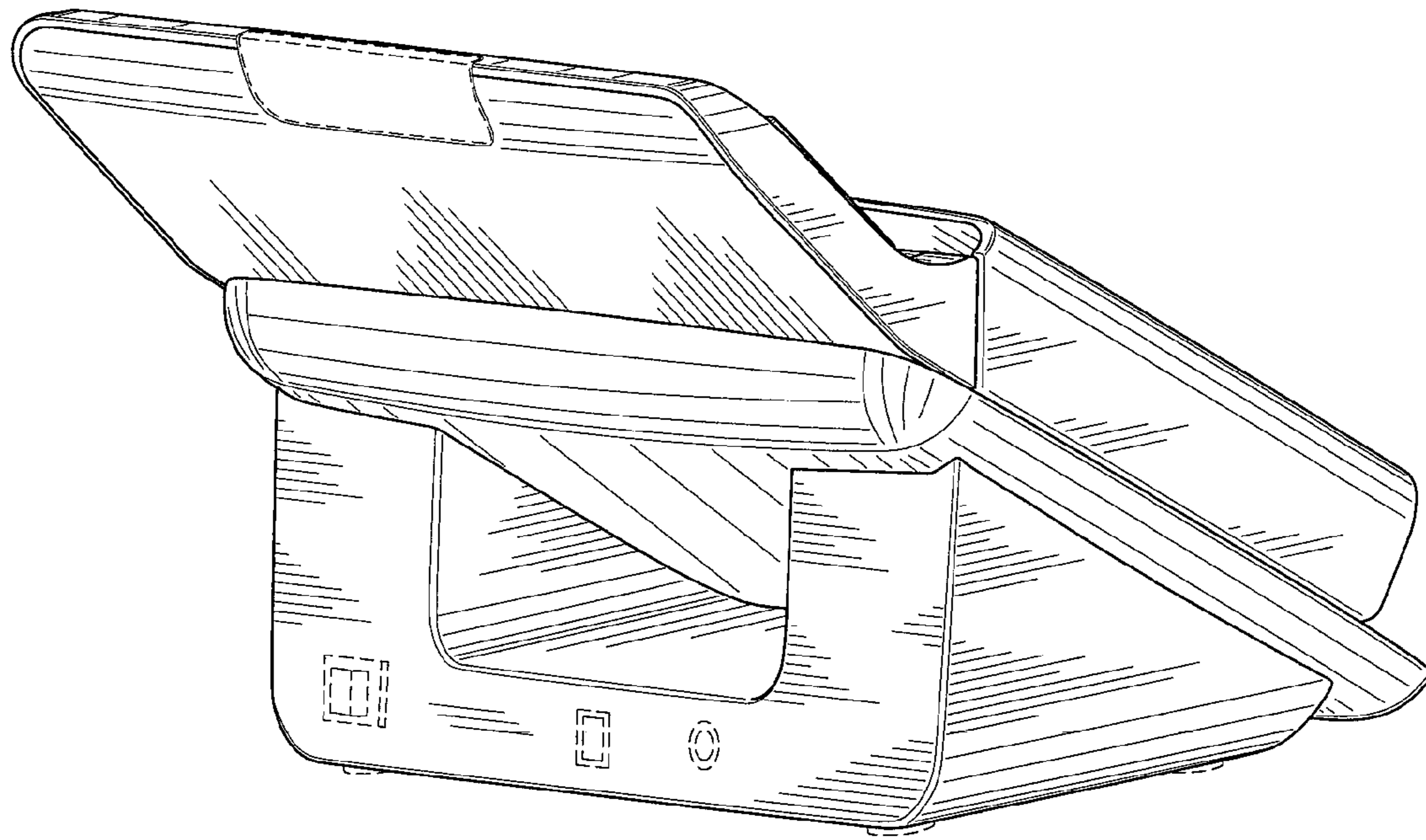


FIG. 2

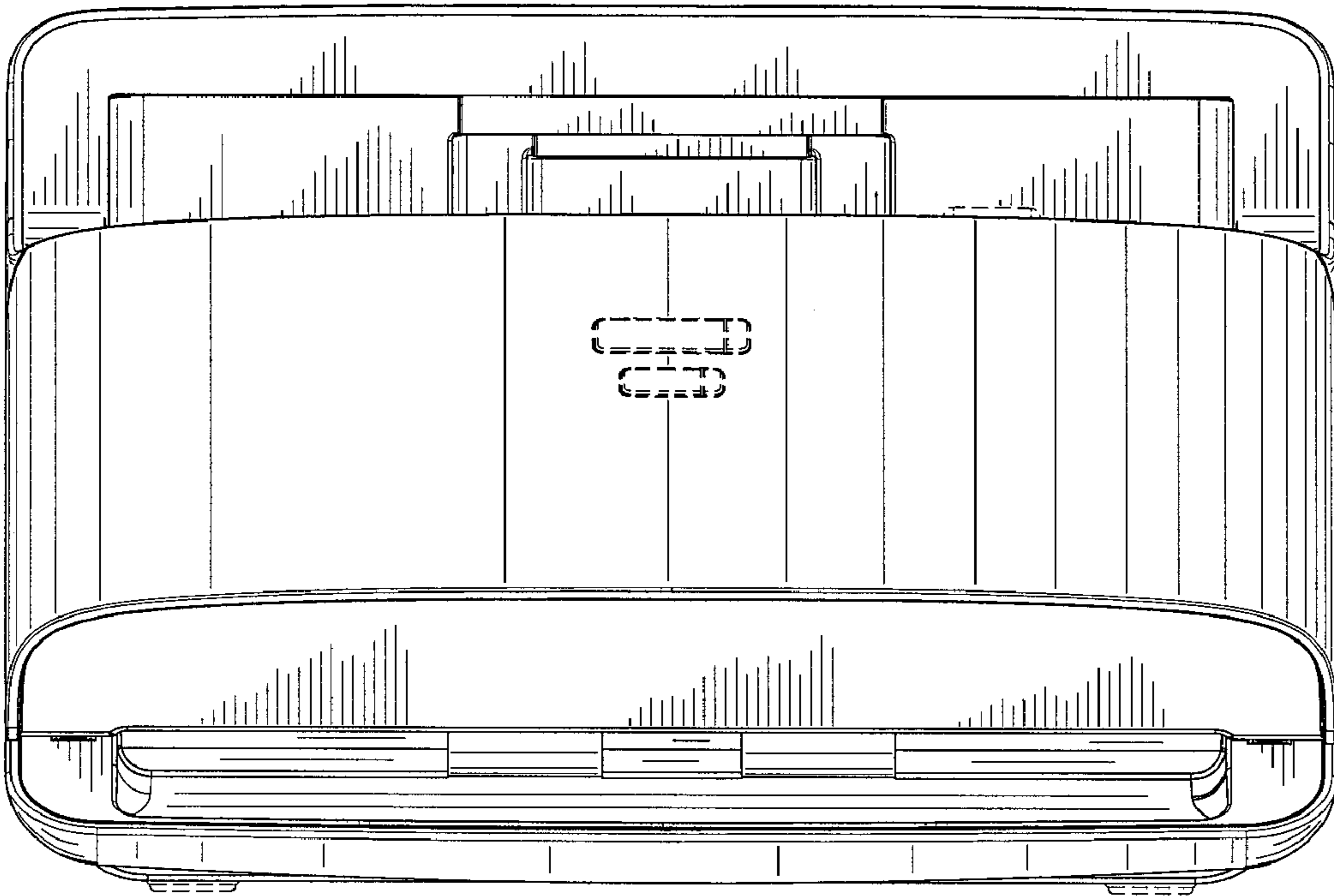


FIG. 3

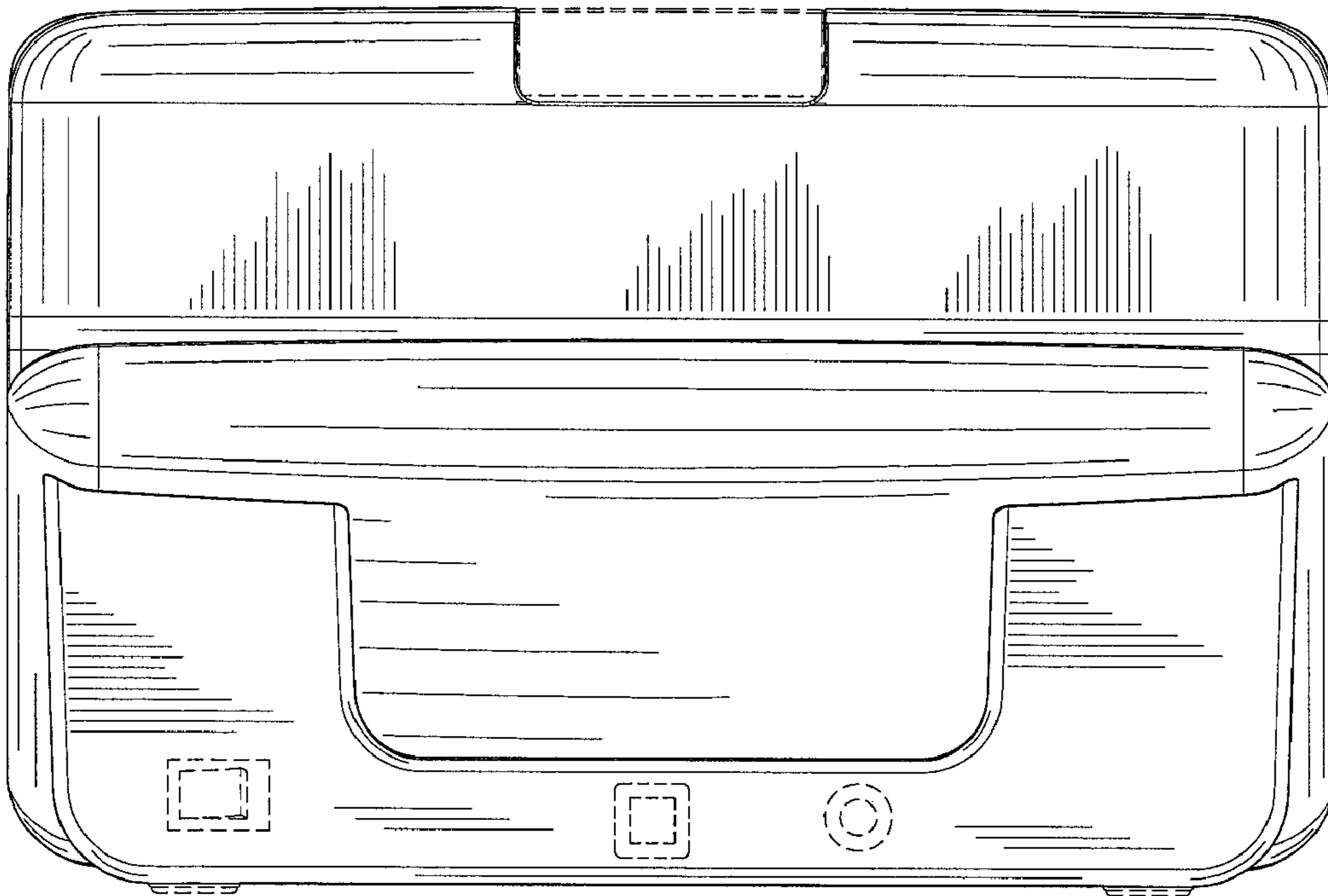


FIG. 4

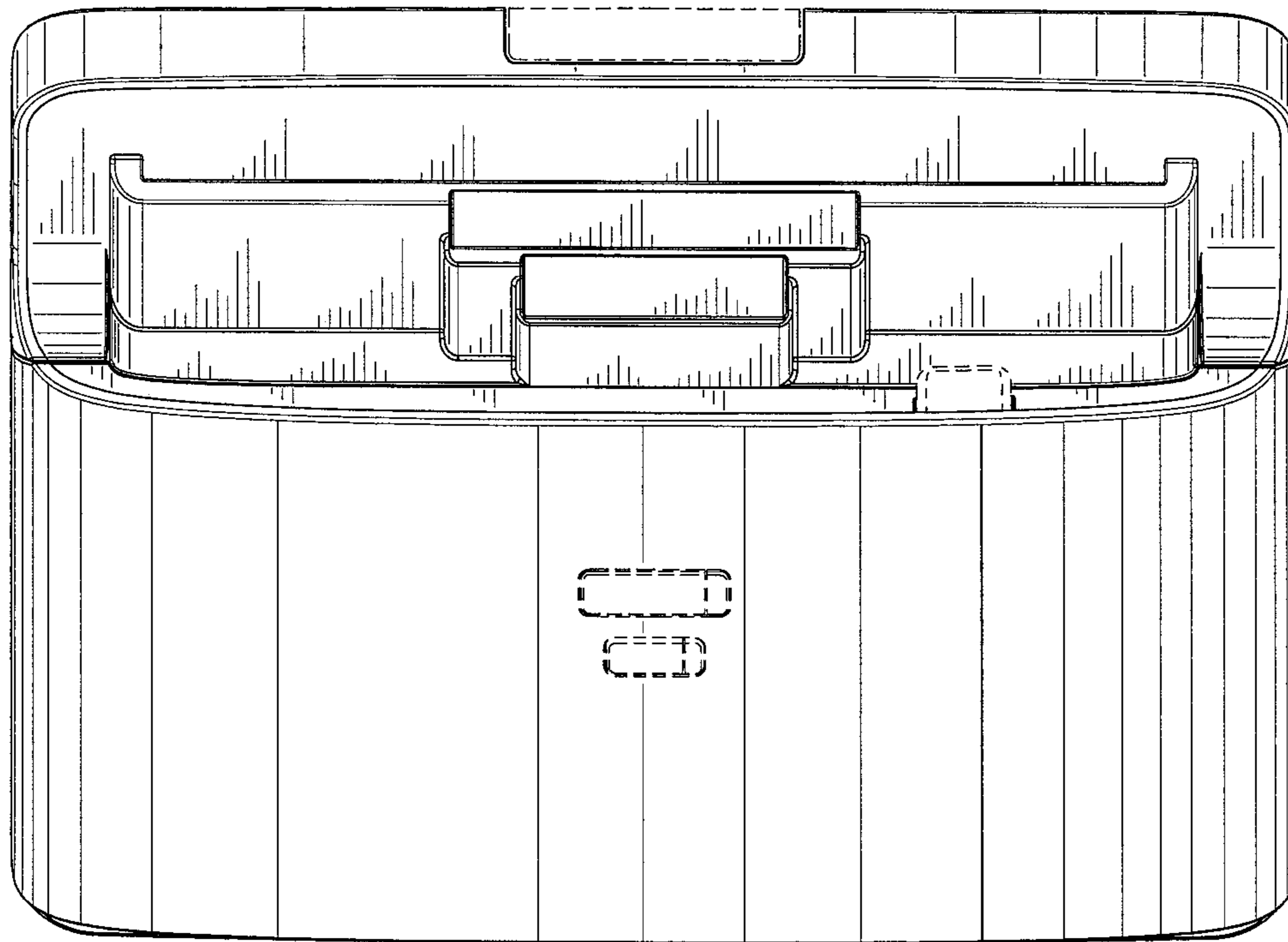


FIG. 5

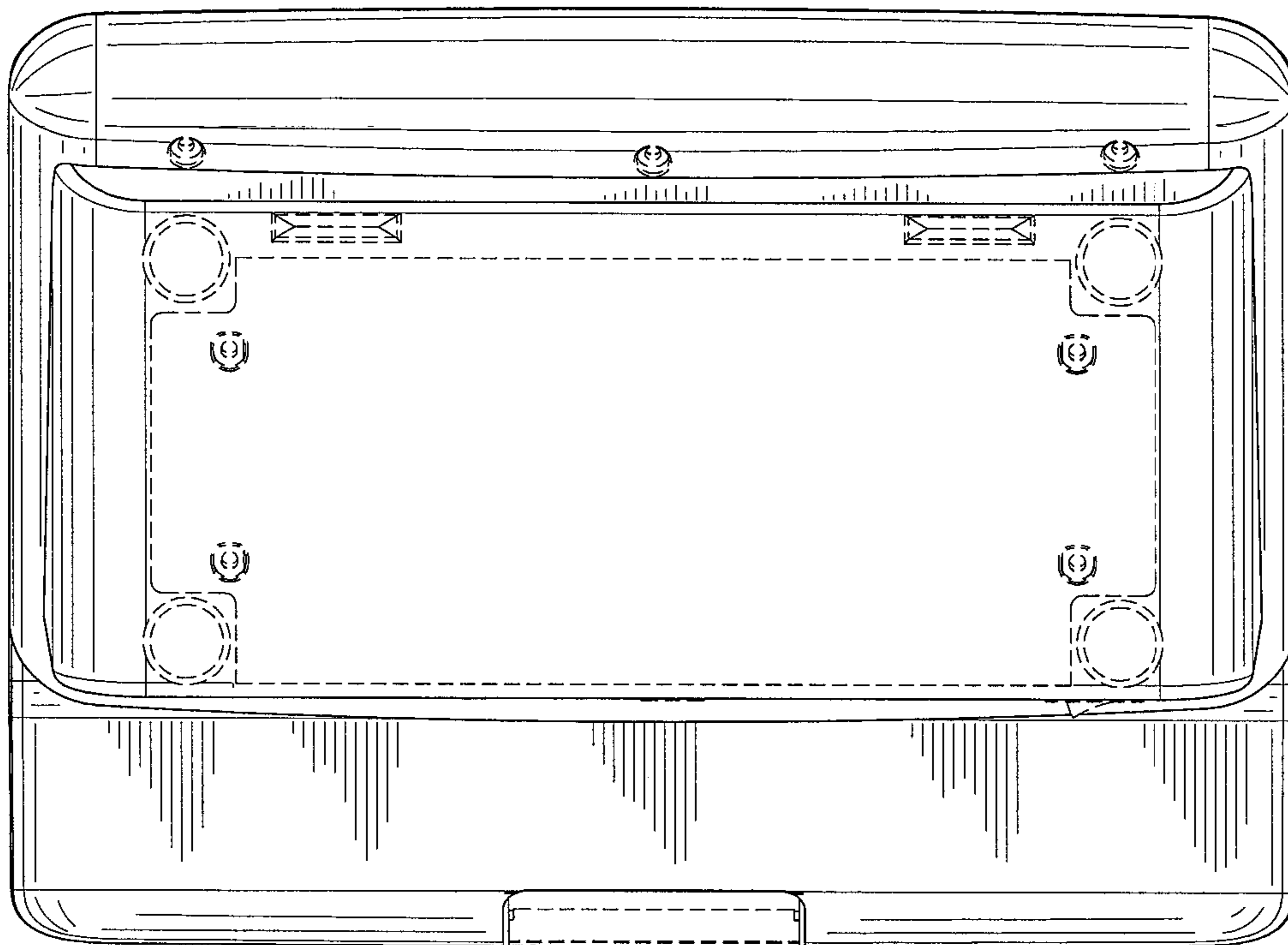


FIG. 6

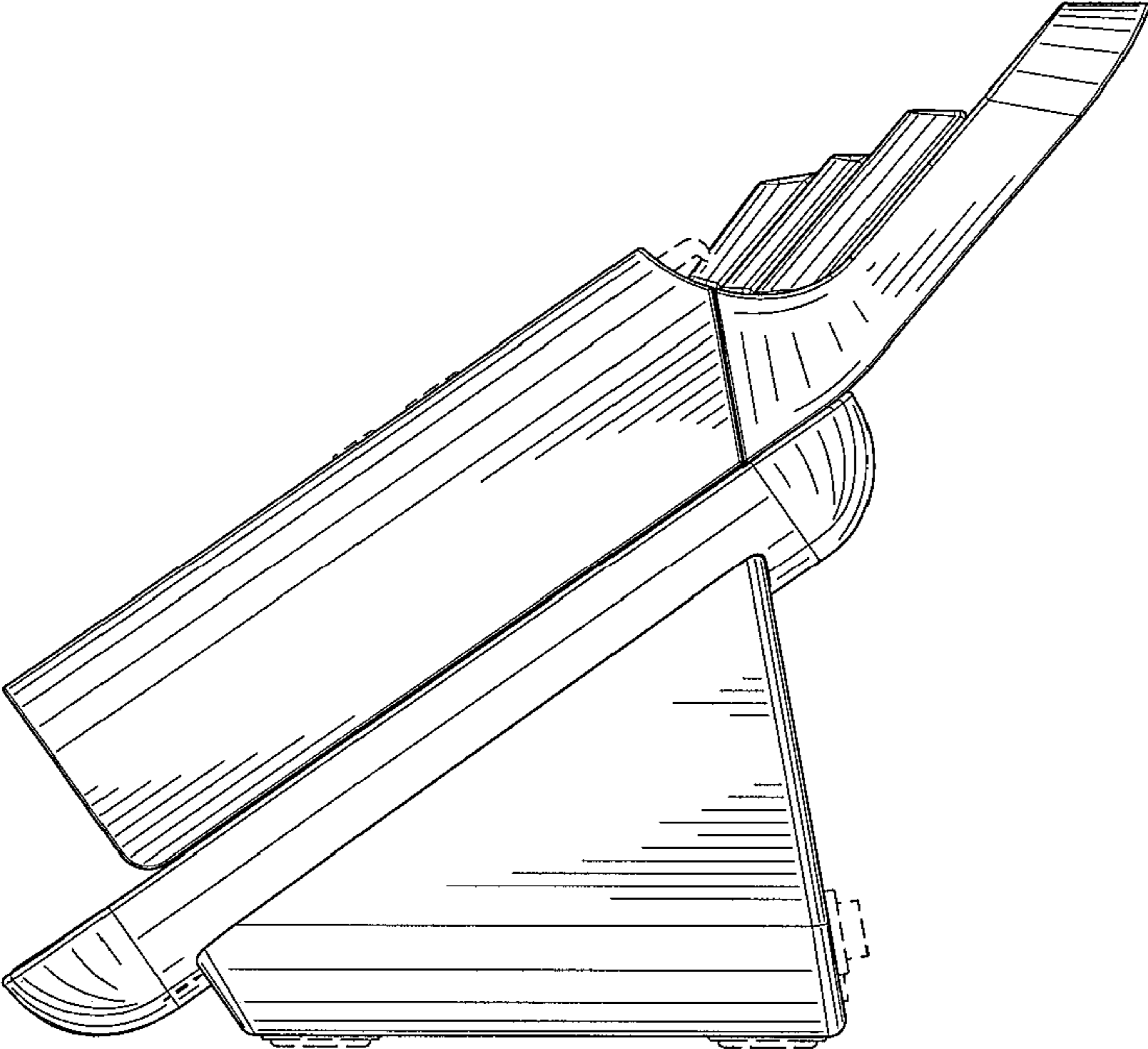


FIG. 7

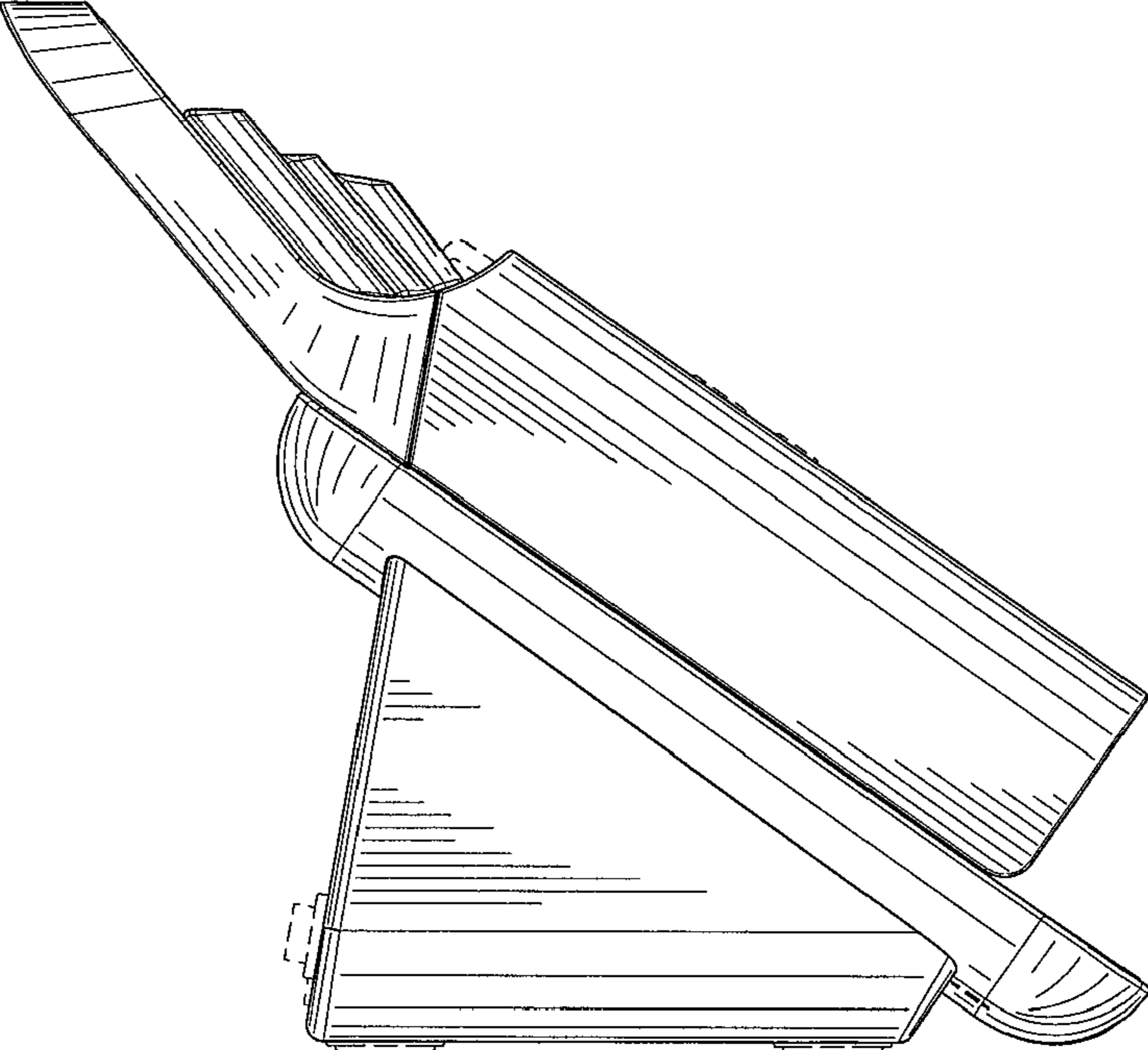


FIG. 8