



US00D579013S

(12) **United States Design Patent**  
**Kobeli et al.**

(10) **Patent No.:** **US D579,013 S**  
(45) **Date of Patent:** **\*\* Oct. 21, 2008**

(54) **COMPUTER HAVING A DOOR**

(75) Inventors: **Lea Kobeli**, San Francisco, CA (US);  
**Arthur Sandoval**, San Francisco, CA  
(US); **Matthew Peterson**, San Francisco,  
CA (US); **Fred Thomas**, Fort Collins,  
CO (US); **Andrew Zee**, Hong Kong  
(HK); **Kenneth Wood**, Portola Valley,  
CA (US); **Kathy Miner**, Fort Collins,  
CO (US); **Daniel Thero**, Fort Collins,  
CO (US)

(73) Assignee: **Hewlett-Packard Development  
Company, L.P.**, Houston, TX (US)

(\*\*) Term: **14 Years**

(21) Appl. No.: **29/286,222**

(22) Filed: **Apr. 27, 2007**

(51) **LOC (8) Cl.** ..... **14-02**

(52) **U.S. Cl.** ..... **D14/349; D14/300**

(58) **Field of Classification Search** ..... D14/441-446;  
D13/162, 184, 199; 211/26; 361/686, 690-696;  
369/34.01, 36.01; 312/223.1-223.3; 340/635  
See application file for complete search history.

(56) **References Cited**

**U.S. PATENT DOCUMENTS**

D308,671 S	6/1990	Aderman et al.	
D331,048 S *	11/1992	Ito et al.	D14/442
D338,662 S	8/1993	Sharp	
D348,051 S	6/1994	Noble	
D362,433 S	9/1995	Chen	
5,547,272 A *	8/1996	Paterson et al.	312/223.2
5,673,029 A *	9/1997	Behl et al.	340/635
D401,569 S	11/1998	Massaro	
D405,063 S	2/1999	Lee et al.	
D409,592 S	5/1999	Prestigomo	
D409,593 S	5/1999	Prestigomo	

D410,912 S	6/1999	Bloch et al.	
6,000,769 A	12/1999	Chen	
6,075,698 A	6/2000	Hogan et al.	
D428,014 S	7/2000	Bostedt et al.	
D431,245 S	9/2000	Searby et al.	
D439,582 S *	3/2001	Jensen et al.	D14/445
D445,112 S	7/2001	Koken et al.	

(Continued)

**OTHER PUBLICATIONS**

U.S. Appl. No. 29/258,901, McClelland, II et al.  
U.S. Appl. No. 29/261,984, Daniels et al.

*Primary Examiner*—Freda S Nunn

(57) **CLAIM**

The ornamental design for a computer having a door, as shown and described.

**DESCRIPTION**

FIG. 1 is a front perspective view of the computer having a door, wherein the door has a series of horizontal bars each having a non-illuminable left portion and an illuminable right portion, and the door is illustrated in a closed or latched position with respect to a chassis of the computer;

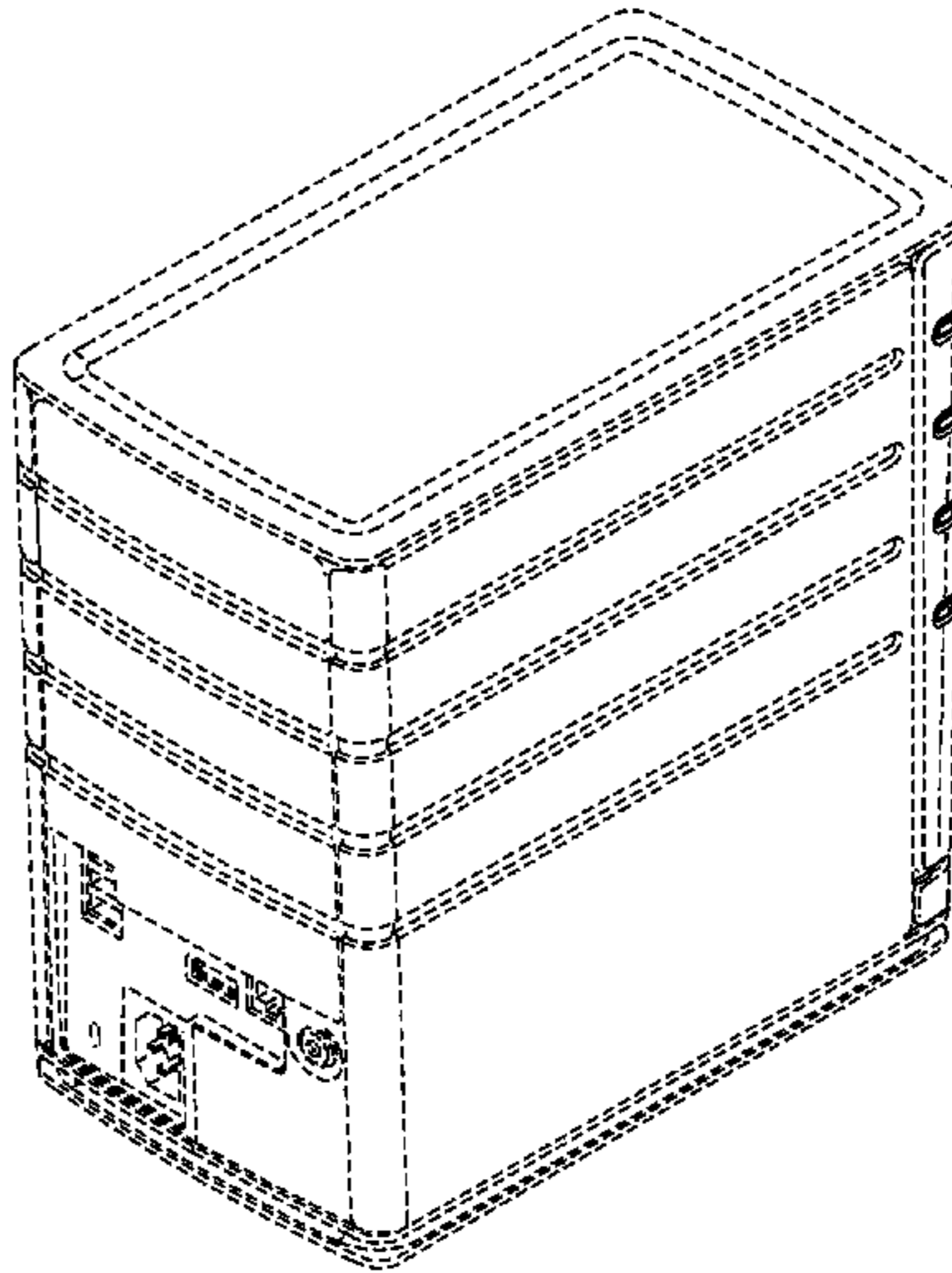
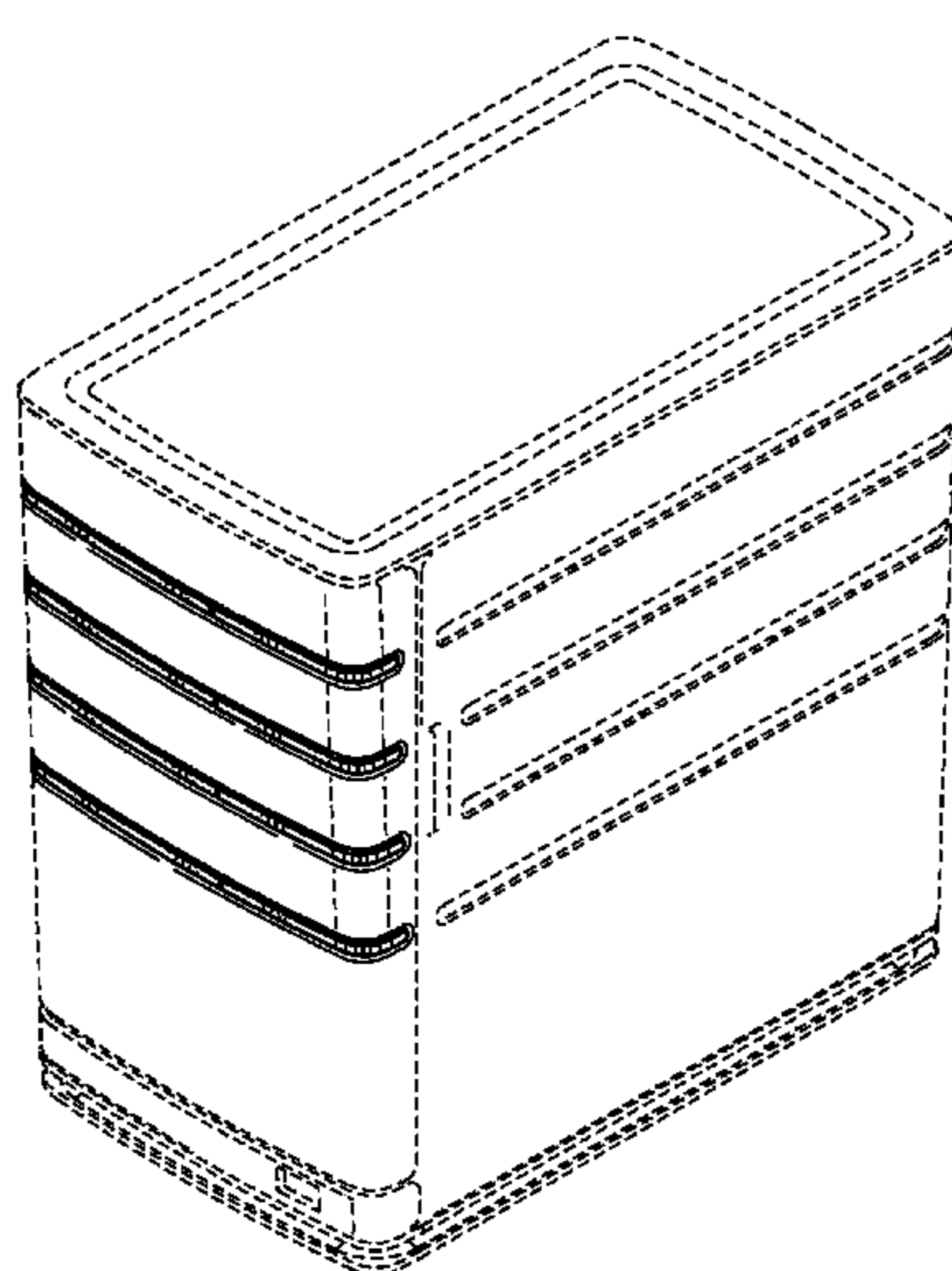
FIG. 2 is a rear perspective view of the computer having a door as illustrated in FIG. 1;

FIG. 3 is a front view of the computer having a door as illustrated in FIG. 1; and,

FIG. 4 is a right side elevational view of the computer having a door as illustrated in FIG. 1, wherein the left side is generally the same as the illustrated right side.

In these drawings, the solid lines illustrate the claimed ornamental design, whereas the broken lines illustrate environmental features that form no part of the claimed ornamental design.

**1 Claim, 3 Drawing Sheets**



# US D579,013 S

Page 2

## U.S. PATENT DOCUMENTS

D447,483 S	9/2001	Wu		D492,315 S	6/2004	Gant et al.	
D454,881 S	3/2002	Daniels et al.		6,776,707 B2	8/2004	Koplin	
D455,152 S *	4/2002	Caughlan et al. ....	D14/445	D497,162 S	10/2004	Neal et al.	
D455,153 S	4/2002	Gant et al.		D500,501 S	1/2005	Davis	
D455,154 S	4/2002	Daniels et al.		D500,502 S	1/2005	Davis	
D455,753 S	4/2002	Daniels et al.		6,891,720 B2	5/2005	Voon et al.	
D455,754 S	4/2002	Gant et al.		D506,201 S	6/2005	McClelland, II	
D460,457 S	7/2002	Caughlan et al.		D507,000 S	7/2005	Wang	
D461,816 S	8/2002	Caughlan et al.		D514,113 S	1/2006	McClelland, II	
6,454,646 B1	9/2002	Helgenberg et al.		D522,006 S	5/2006	McClelland, II et al.	
D464,056 S	10/2002	Skandalis		D522,521 S	6/2006	McClelland, II	
6,554,697 B1	4/2003	Koplin		D530,718 S	10/2006	Neal et al.	
D474,186 S	5/2003	Frank et al.		2003/0020380 A1 *	1/2003	Clements et al. ....	312/223.1
D481,394 S	10/2003	Kuehn et al.		2003/0160010 A1 *	8/2003	Robertson .....	211/26
D485,278 S	1/2004	Wang et al.		2005/0111179 A1 *	5/2005	Wu .....	361/684

\* cited by examiner

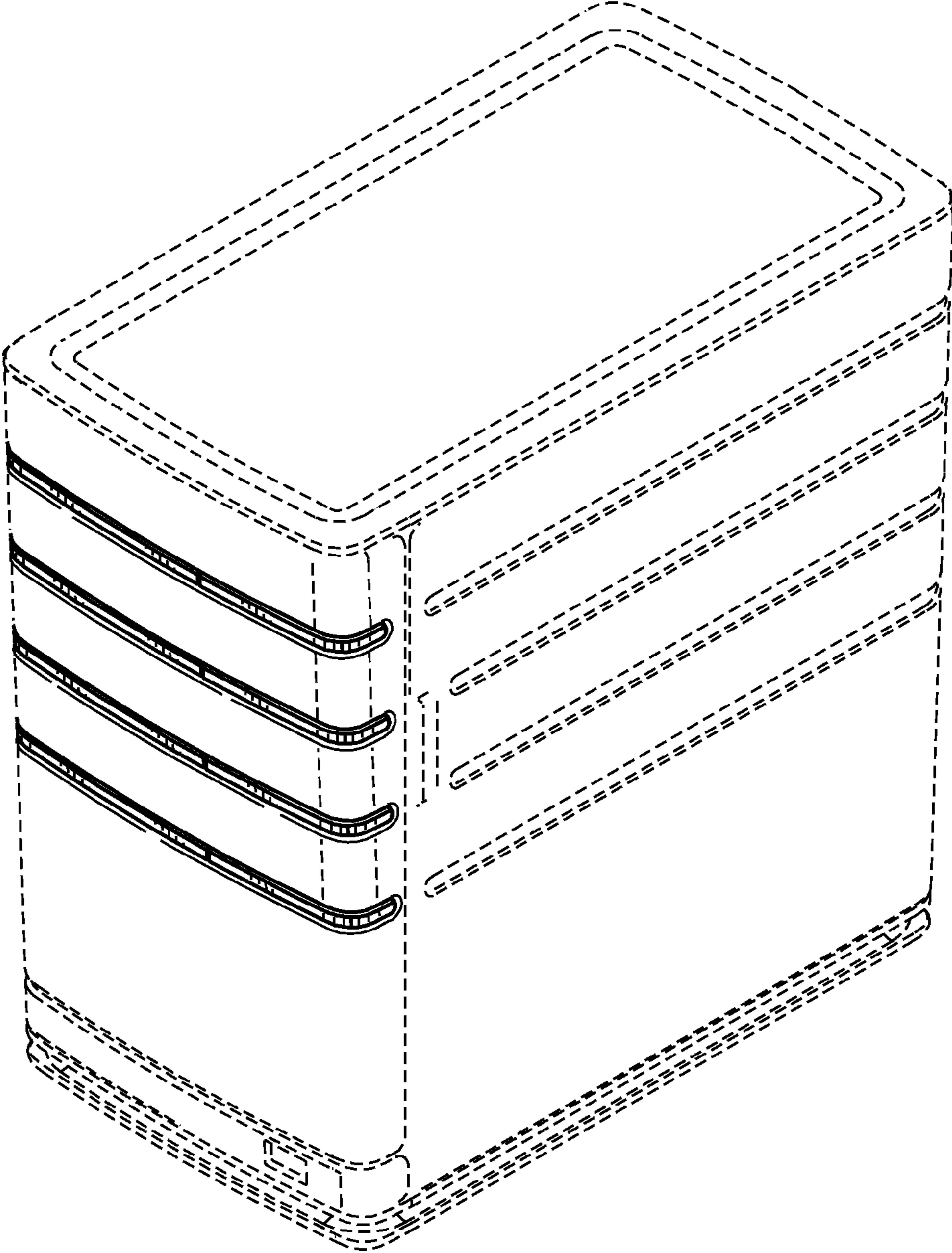


FIG. 1

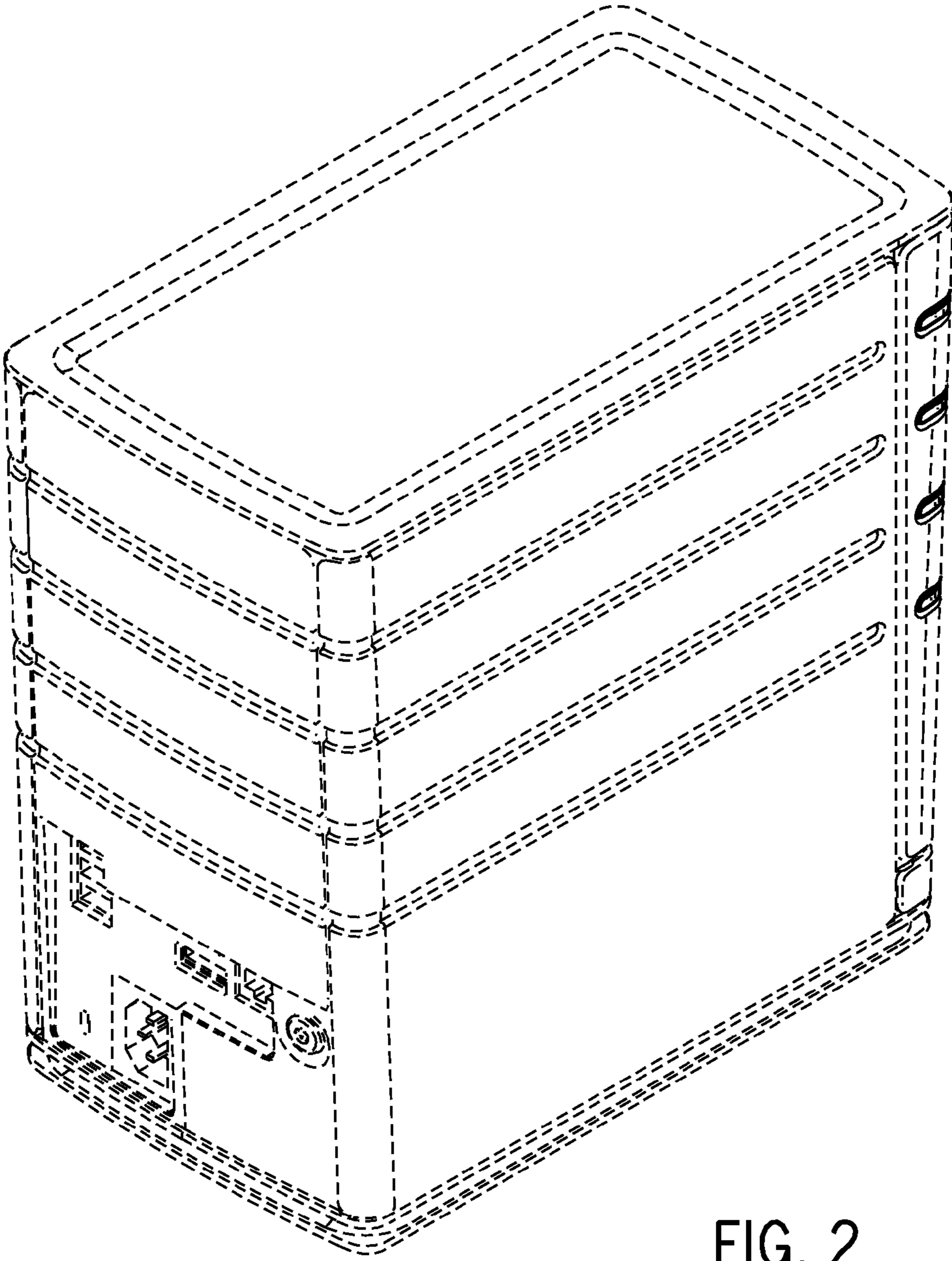


FIG. 2

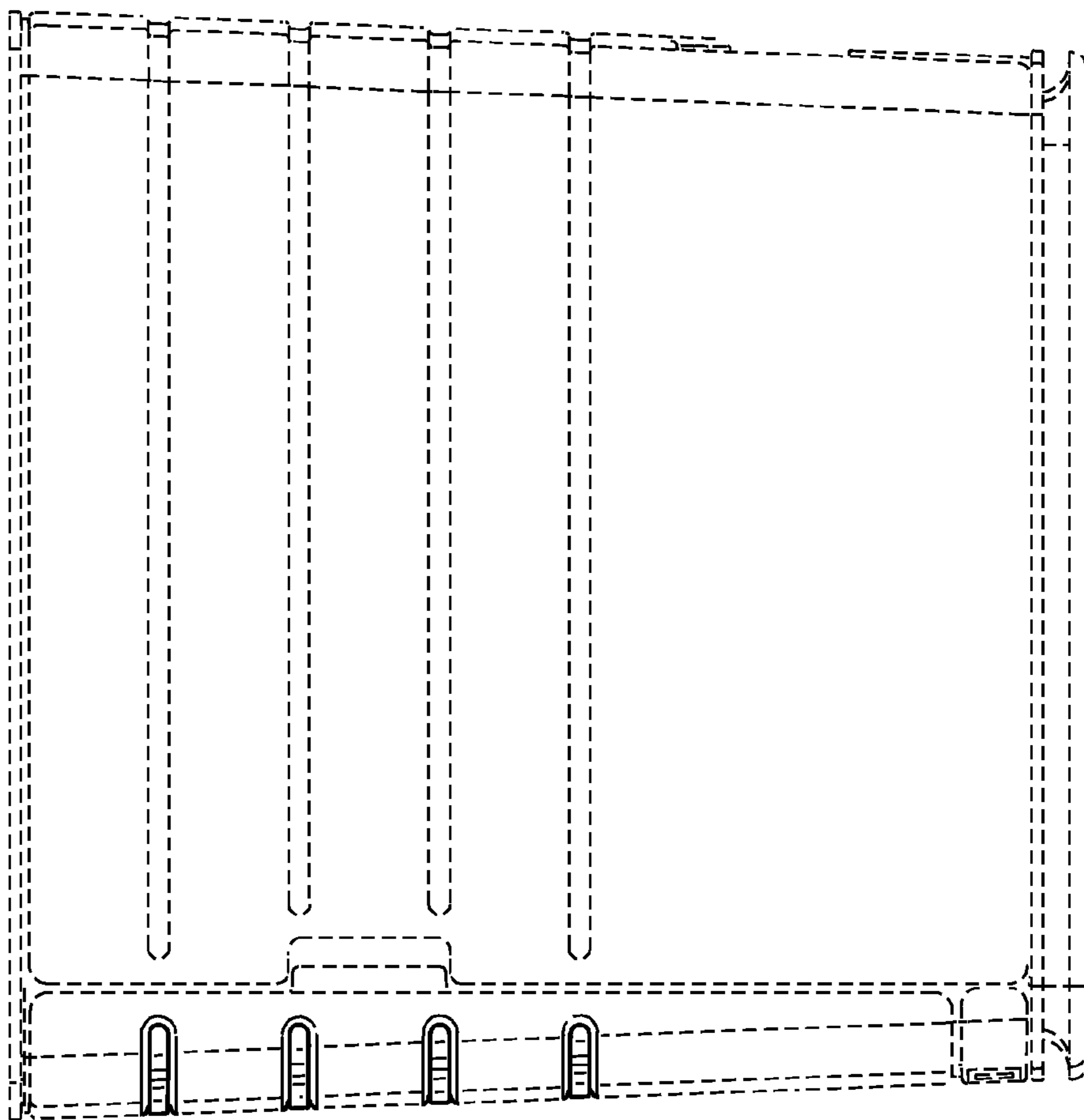


FIG. 4

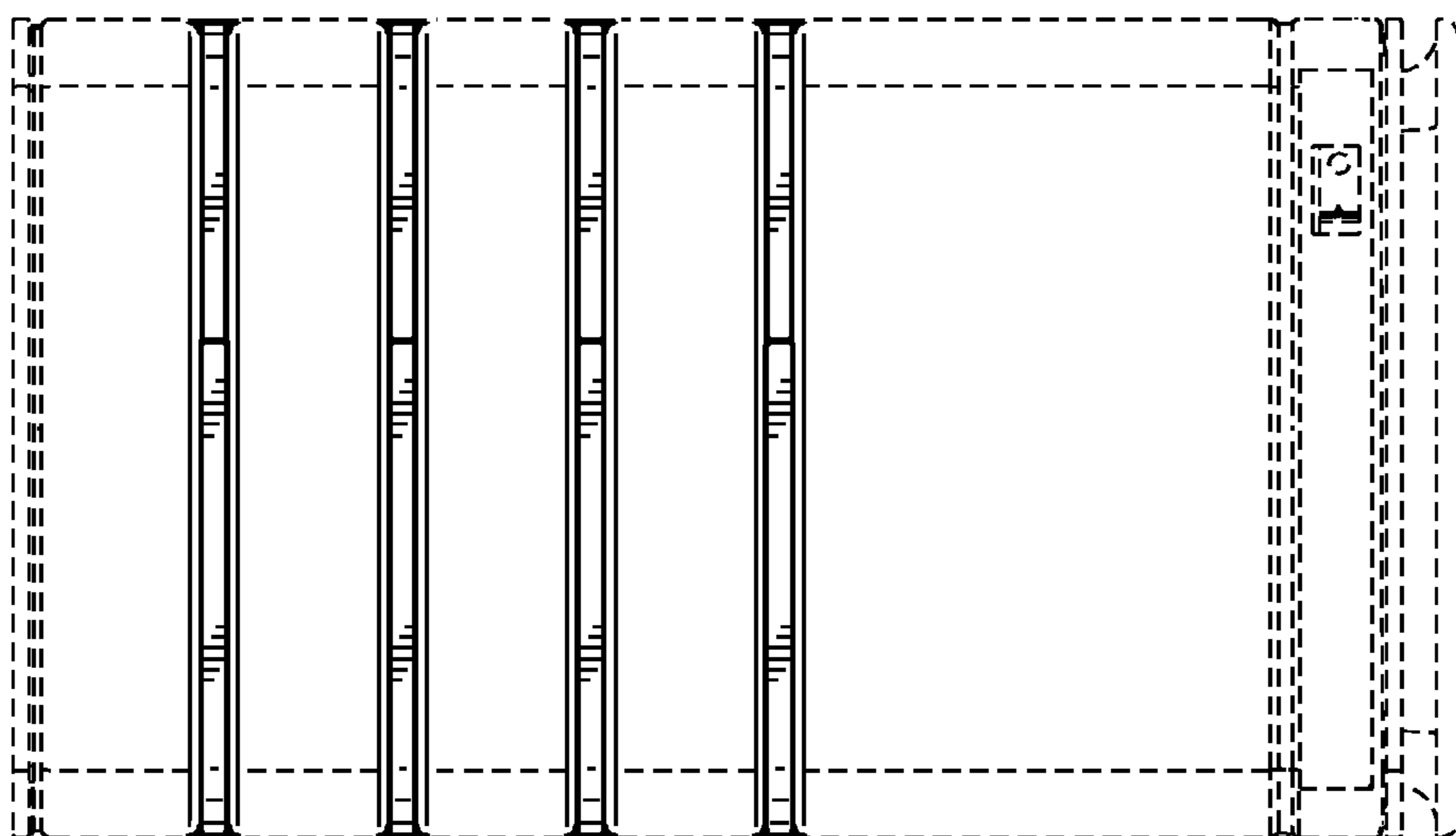


FIG. 3